

Ультразвуковые датчики светоотражающая серия UR30

Технические характеристики

По вопросам продаж и поддержки обращайтесь:

Алматы (727)345-47-04
Ангарск (3955)60-70-56
Архангельск (8182)63-90-72
Астрахань (8512)99-46-04
Барнаул (3852)73-04-60
Белгород (4722)40-23-64
Благовещенск (4162)22-76-07
Брянск (4832)59-03-52
Владивосток (423)249-28-31
Владикавказ (8672)28-90-48
Владимир (4922)49-43-18
Волгоград (844)278-03-48
Вологда (8172)26-41-59
Воронеж (473)204-51-73
Екатеринбург (343)384-55-89

Иваново (4932)77-34-06
Ижевск (3412)26-03-58
Иркутск (395)279-98-46
Казань (843)206-01-48
Калининград (4012)72-03-81
Калуга (4842)92-23-67
Кемерово (3842)65-04-62
Киров (8332)68-02-04
Коломна (4966)23-41-49
Кострома (4942)77-07-48
Краснодар (861)203-40-90
Красноярск (391)204-63-61
Курск (4712)77-13-04
Курган (3522)50-90-47
Липецк (4742)52-20-81

Магнитогорск (3519)55-03-13
Москва (495)268-04-70
Мурманск (8152)59-64-93
Набережные Челны (8552)20-53-41
Нижний Новгород (831)429-08-12
Новокузнецк (3843)20-46-81
Ноябрьск (3496)41-32-12
Новосибирск (383)227-86-73
Омск (3812)21-46-40
Орел (4862)44-53-42
Оренбург (3532)37-68-04
Пенза (8412)22-31-16
Петрозаводск (8142)55-98-37
Псков (8112)59-10-37
Пермь (342)205-81-47

Ростов-на-Дону (863)308-18-15
Рязань (4912)46-61-64
Самара (846)206-03-16
Санкт-Петербург (812)309-46-40
Саратов (845)249-38-78
Севастополь (8692)22-31-93
Саранск (8342)22-96-24
Симферополь (3652)67-13-56
Смоленск (4812)29-41-54
Сочи (862)225-72-31
Ставрополь (8652)20-65-13
Сургут (3462)77-98-35
Сыктывкар (8212)25-95-17
Тамбов (4752)50-40-97
Тверь (4822)63-31-35

Тольятти (8482)63-91-07
Томск (3822)98-41-53
Тула (4872)33-79-87
Тюмень (3452)66-21-18
Ульяновск (8422)24-23-59
Улан-Удэ (3012)59-97-51
Уфа (347)229-48-12
Хабаровск (4212)92-98-04
Чебоксары (8352)28-53-07
Челябинск (351)202-03-61
Череповец (8202)49-02-64
Чита (3022)38-34-83
Якутск (4112)23-90-97
Ярославль (4852)69-52-93

Россия +7(495)268-04-70

Казахстан +(727)345-47-04

Беларусь +(375)257-127-884

Узбекистан +998(71)205-18-59

Киргизия +996(312)96-26-47

эл.почта: ahj@nt-rt.ru || сайт: <https://lanbao.nt-rt.ru/>

Ultrasonic sensor **UR30-CM6** series



Features

- ◆ M30 installation threaded sleeve
- ◆ Extended long distance detection
- ◆ Setting detection distance through teach-in lines
- ◆ Temperature compensation



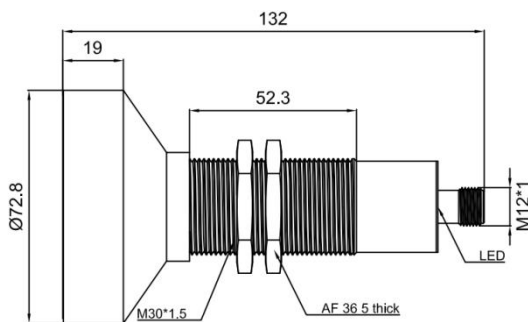
Part number

NPN NO/NC	UR30-CM6DNB-E2	PNP NO/NC	UR30-CM6DPB-E2
-----------	----------------	-----------	----------------

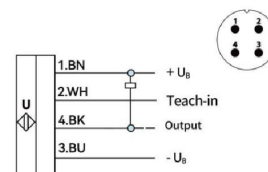
Technical specifications

Sensing range	350-6000mm	Angle	±10°
Blind area	0-350mm	Circuit protection	Reverse protection, instantaneous over voltage protection, short circuit protection, overload protection
Resolution ratio	4mm	Output indication	Red LED: No target detected in teach-in state, always on Yellow LED: In normal working mode, the switch status Blue LED: Target detected in teach-in state, flashing Green LED: Power indicator light, always on
Repeat accuracy	±0.15% full scale	Ambient temperature	-25°C...70°C (253-343K)
Temperature drift	≤2% full scale (Built-in temperature drift compensation)	Storage temperature	-40°C...85°C (233-358K)
Linearity	< 1%	Material	Nickel plated copper, glass beads mixed with epoxy resin
Response time	300ms	Protection degree	IP67
Standard target	300×300mm	Connection	M12 4-pin connection
Oscillator frequency	About 65KHz		
Rated operational current	≤200mA		
Supply voltage	10...30VDC		
No-load current	≤25mA		

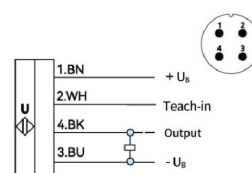
Dimensions



Wiring diagram



NPN Output



PNP Output

Ultrasonic sensor **UR30-CM6** series



Features

- ◆ M30 installation threaded sleeve
- ◆ Extended long distance detection
- ◆ Setting detection distance through teach-in lines
- ◆ Temperature compensation



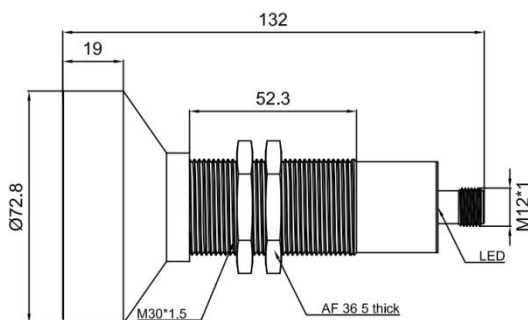
Part number

0-5V Analog output	UR30-CM6DU5-E2
0-10V Analog output	UR30-CM6DU10-E2
4-20mA Analog output	UR30-CM6DI-E2

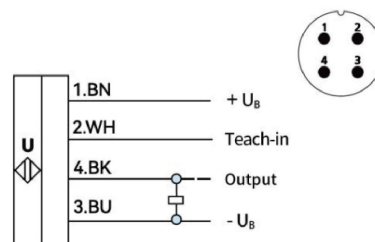
Technical specifications

Sensing range	350-6000mm	No-load current	≤25mA
Blind area	0-350mm	Angle	±10°
Resolution ratio	4mm	Circuit protection	Reverse protection, instantaneous over voltage protection, short circuit protection, overload protection
Repeat accuracy	±0.15% full scale	Output indication	Red LED: No target detected in teach-in state, always on Yellow LED: In normal working mode, the switch status Blue LED: Target detected in teach-in state, flashing Green LED: Power indicator light, always on
Temperature drift	≤2% full scale (Built-in temperature drift compensation)	Ambient temperature	-25°C...70°C (253-343K)
Linearity	< 1%	Storage temperature	-40°C...85°C (233-358K)
Response time	300ms	Material	Nickel plated copper, glass beads mixed with epoxy resin
Standard target	300×300mm	Protection degree	IP67
Oscillator frequency	About 65KHz	Connection	M12 4-pin connection
Rated operational current	≤200mA		
Supply voltage	0-5V: 10...30VDC; 0-10V: 15...30VDC; 4-20mA: 12...30VDC		

Dimensions



Wiring diagram



Ultrasonic sensor **UR30-CM6** series



Features

- ◆ M30 installation threaded sleeve
- ◆ 1-way NPN or PNP output
- ◆ Support RS485 communication
- ◆ Setting detection distance by teach-in wire
- ◆ The maximum detection distance is up to 6 meters
- ◆ Temperature compensation



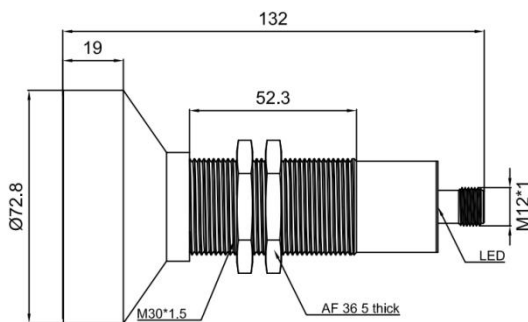
Part number

NPN+RS485	UR30-CM6DNR4B-E5	PNP+RS485	UR30-CM6DPR4B-E5
-----------	------------------	-----------	------------------

Technical specifications

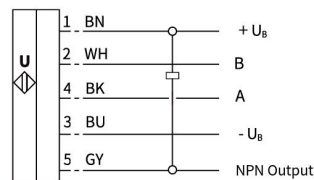
Sensing range	350-6000mm	Circuit protection	Reverse protection, instantaneous over voltage protection, short circuit protection, overload protection
Blind area	0-350mm	Output indication	Green LED always on: power on Yellow LED always on: target detected Red LED: Error Blue LED: RS485 command received
Resolution ratio	4mm	Ambient temperature	-25°C...70°C (253-343K)
Repeat accuracy	±0.15% full scale	Storage temperature	-40°C...85°C (233-358K)
Temperature drift	≤2% full scale (Built-in temperature drift compensation)	Material	Nickel plated copper, glass beads mixed with epoxy resin
Linearity	< 1%	Protection degree	IP67
Response time	300ms	Connection	M12 5-pin connection
Standard target	300×300mm		
Oscillator frequency	About 65KHz		
Rated operational current	≤200mA		
Supply voltage	10...30VDC		
No-load current	≤25mA		
Angle	±10°		

Dimensions

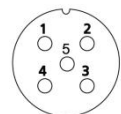
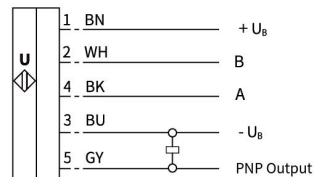


Wiring diagram

NPN+RS485



PNP+RS485



Ultrasonic sensor **UR30-CM6** series



Features

- ◆ M30 installation threaded sleeve
- ◆ Extended long distance detection
- ◆ Setting detection distance through teach-in lines
- ◆ Temperature compensation



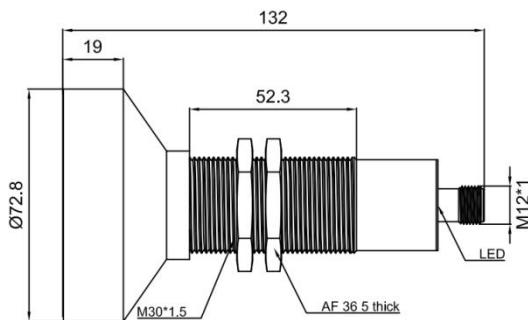
Part number

TTL UR30-CM6DT-E2

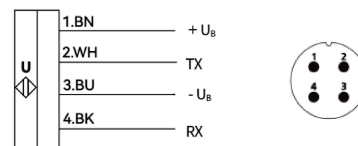
Technical specifications

Sensing range	350-6000mm	Angle	±10°
Blind area	0-350mm	Circuit protection	Reverse protection, instantaneous over voltage protection, short circuit protection, overload protection
Resolution ratio	4mm	Output indication	Red LED: No target detected in teach-in state, always on Yellow LED: In normal working mode, the switch status Blue LED: Target detected in teach-in state, flashing Green LED: Power indicator light, always on
Repeat accuracy	±0.15% full scale	Ambient temperature	-25°C...70°C (253-343K)
Temperature drift	≤2% full scale (Built-in temperature drift compensation)	Storage temperature	-40°C...85°C (233-358K)
Linearity	< 1%	Material	Nickel plated copper, glass beads mixed with epoxy resin
Response time	300ms	Protection degree	IP67
Standard target	300×300mm	Connection	M12 4-pin connection
Oscillator frequency	About 65KHz		
Rated operational current	≤200mA		
Supply voltage	5...30VDC		
No-load current	≤25mA		

Dimensions



Wiring diagram



Ultrasonic sensor **UR30-CM4** series

Feature Description

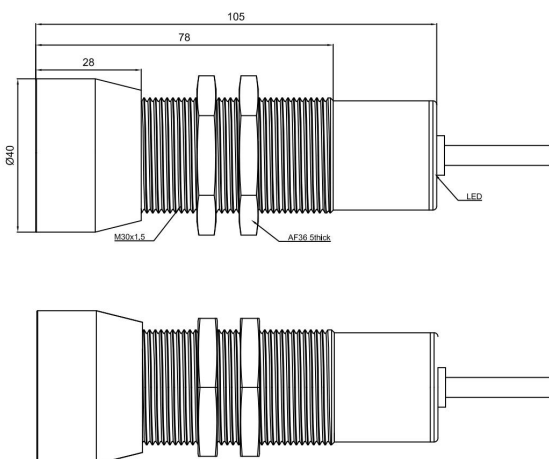
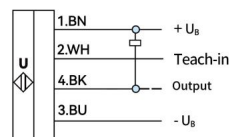
- ◆ M30 installation threaded sleeve
- ◆ Extended long distance detection
- ◆ 1 NPN or PNP switch output
- ◆ Analog voltage output 0-5/10V or analog current output 4-20mA
- ◆ Digital TTL output
- ◆ Output can be changed through serial port upgrade
- ◆ Setting detection distance through teach-in lines
- ◆ Temperature compensation


Model specifications

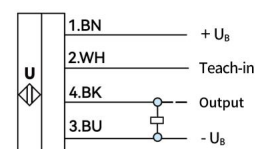
NPN	NO/NC	UR30-CM4DNB	PNP	NO/NC	UR30-CM4DPB
NPN	Hysteresis mode	UR30-CM4DNH	PNP	Hysteresis mode	UR30-CM4DPH
0-5V	Analog output	UR30-CM4DU5	4-20mA	Analog output	UR30-CM4DI
0-10V	Analog output	UR30-CM4DU10	Com	TTL232	UR30-CM4DT

Specifications

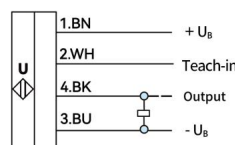
Sensing range	200-4000mm	Output indication	Red LED: No target detected in teach-in state, always on
Blind area	0-200mm		Yellow LED: In normal working mode, the switch status
Resolution ratio	1mm		Blue LED: Target detected in teach-in state, flashing
Repeat accuracy	±0.15% of full scale value		Green LED: Power indicator light, always on
Absolute accuracy	±1% (temperature drift compensation)	Input type	With teach-in function
Response time	300ms	Ambient temperature	-25°C...70°C(248-343K)
Switch hysteresis	2mm	Storage temperature	-40°C...85°C(233-358K)
Switching frequency	3Hz	Output characteristics	Support serial port upgrade and change the output type
Power on delay	<500ms	Material	Copper nickel plating, glass bead filled epoxy resin
Working voltage	9...30VDC	Protection degree	IP67
No-load current	≤25mA	Connection	2m PVC cable

Dimension

Wiring diagram


NPN Output



Analog Output



PNP Output



TTL232

Ultrasonic sensor **UR30-CM4** series

Feature Description

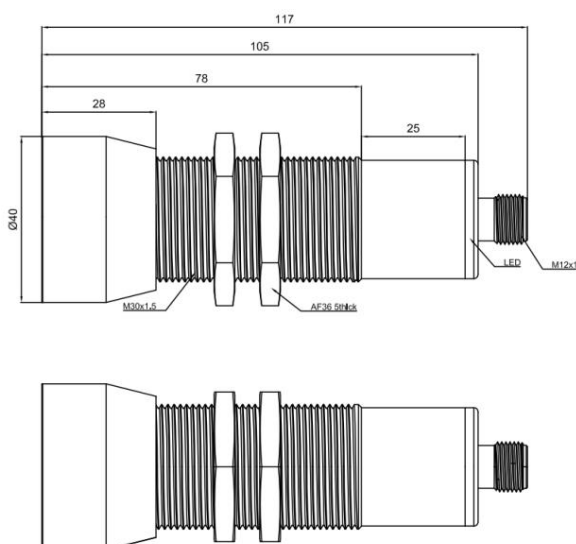
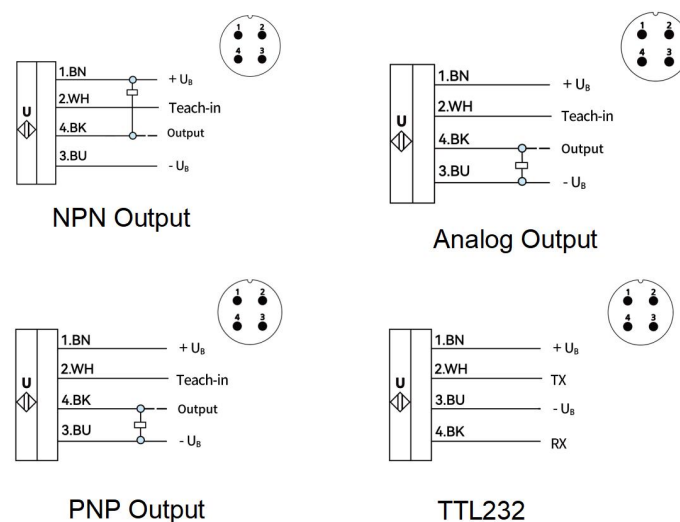
- ◆ M30 installation threaded sleeve
- ◆ Extended long distance detection
- ◆ 1 NPN or PNP switch output
- ◆ Analog voltage output 0-5/10V or analog current output 4-20mA
- ◆ Digital TTL output
- ◆ Output can be changed through serial port upgrade
- ◆ Setting detection distance through teach-in lines
- ◆ Temperature compensation


Model specifications

NPN	NO/NC	UR30-CM4DNB-E2	PNP	NO/NC	UR30-CM4DPB-E2
NPN	Hysteresis mode	UR30-CM4DNH-E2	PNP	Hysteresis mode	UR30-CM4DPH-E2
0-5V	Analog output	UR30-CM4DU5-E2	4-20mA	Analog output	UR30-CM4DI-E2
0-10V	Analog output	UR30-CM4DU10-E2	Com	TTL232	UR30-CM4DT-E2

Specifications

Sensing range	200-4000mm	Output indication	Red LED: No target detected in teach-in state, always on Yellow LED: In normal working mode, the switch status Blue LED: Target detected in teach-in state, flashing Green LED: Power indicator light, always on
Blind area	0-200mm	Input type	With teach-in function
Resolution ratio	1mm	Ambient temperature	-25°C...70°C(248-343K)
Repeat accuracy	±0.15% of full scale value	Storage temperature	-40°C...85°C(233-358K)
Absolute accuracy	±1% (temperature drift compensation)	Output characteristics	Support serial port upgrade and change the output type
Response time	300ms	Material	Copper nickel plating, glass bead filled epoxy resin
Switch hysteresis	2mm	Protection degree	IP67
Switching frequency	3Hz	Connection	4 pin M12 connector
Power on delay	<500ms		
Working voltage	9...30VDC		
No-load current	≤25mA		

Dimension

Wiring diagram


Ultrasonic sensor **UR30-CM2/3** series

Feature Description

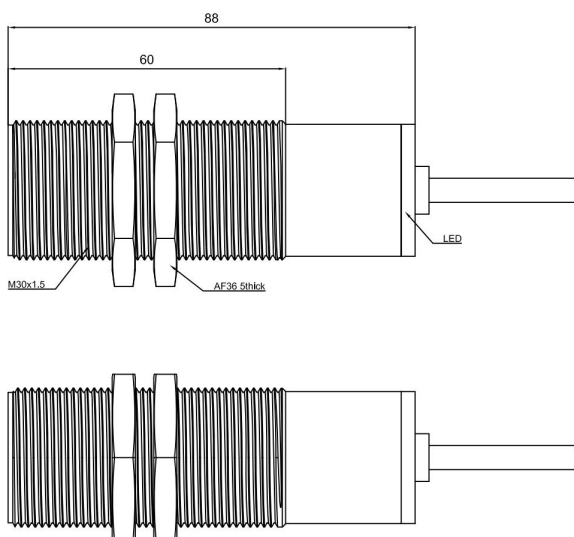
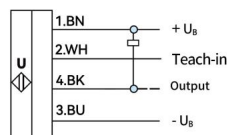
- ◆ M30 installation threaded sleeve
- ◆ Extended long distance detection
- ◆ 1 NPN or PNP switch output
- ◆ Analog voltage output 0-5/10V or analog current output 4-20mA
- ◆ Digital TTL output
- ◆ Output can be changed through serial port upgrade
- ◆ Setting detection distance through teach-in lines
- ◆ Temperature compensation


Model specifications

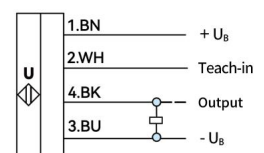
NPN	NO/NC	UR30-CM2DNB	UR30-CM3DNB	PNP	NO/NC	UR30-CM2DPB	UR30-CM3DPB
NPN	Hysteresis mode	UR30-CM2DNH	UR30-CM3DNH	PNP	Hysteresis mode	UR30-CM2DPH	UR30-CM3DPH
0-5V	Analog output	UR30-CM2DU5	UR30-CM3DU5	4-20mA	Analog output	UR30-CM2DI	UR30-CM3DI
0-10V	Analog output	UR30-CM2DU10	UR30-CM3DU10	Com	TTL232	UR30-CM2DT	UR30-CM3DT

Specifications

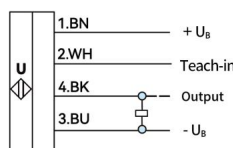
Sensing range	180-2000mm	180-3000mm	Output indication	Red LED: No target detected in teach-in state, always on
Blind area	0-180mm			Yellow LED: In normal working mode, the switch status
Resolution ratio	1mm			Blue LED: Target detected in teach-in state, flashing
Repeat accuracy	±0.15% of full scale value			Green LED: Power indicator light, always on
Absolute accuracy	±1% (temperature drift compensation)		Input type	With teach-in function
Response time	100ms	110ms	Ambient temperature	-25°C...70°C(248-343K)
Switch hysteresis	2mm		Storage temperature	-40°C...85°C(233-358K)
Switching frequency	10Hz		Output characteristics	Support serial port upgrade and change the output type
Power on delay	<500ms		Material	Copper nickel plating, glass bead filled epoxy resin
Working voltage	15...30VDC		Protection degree	IP67
No-load current	≤25mA		Connection	2m PVC cable

Dimension

Wiring diagram


NPN Output



Analog Output



PNP Output



TTL232

Ultrasonic sensor **UR30-CM2/3** series



Feature Description

- ◆ M30 installation threaded sleeve
- ◆ Extended long distance detection
- ◆ 1 NPN or PNP switch output
- ◆ Analog voltage output 0-5/10V or analog current output 4-20mA
- ◆ Digital TTL output
- ◆ Output can be changed through serial port upgrade
- ◆ Setting detection distance through teach-in lines
- ◆ Temperature compensation



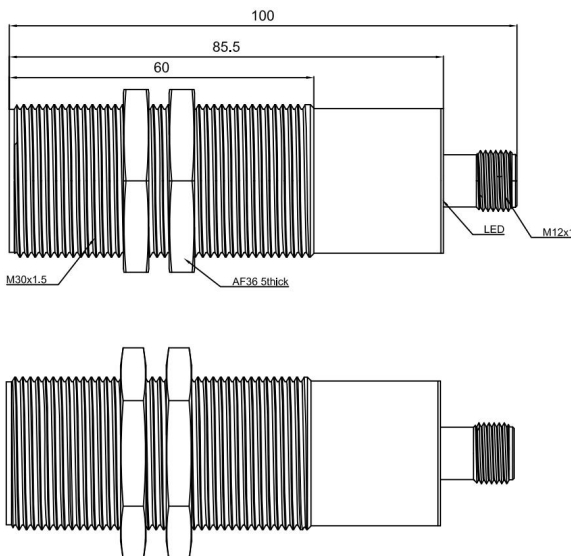
Model specifications

NPN NO/NC	UR30-CM2DNB-E2	UR30-CM3DNB-E2	PNP NO/NC	UR30-CM2DPB-E2	UR30-CM3DPB-E2
NPN Hysteresis mode	UR30-CM2DNH-E2	UR30-CM3DNH-E2	PNP Hysteresis mode	UR30-CM2DPH-E2	UR30-CM3DPH-E2
0-5V Analog output	UR30-CM2DU5-E2	UR30-CM3DU5-E2	4-20mA Analog output	UR30-CM2DI-E2	UR30-CM3DI-E2
0-10V Analog output	UR30-CM2DU10-E2	UR30-CM3DU10-E2	Com TTL232	UR30-CM2DT-E2	UR30-CM3DT-E2

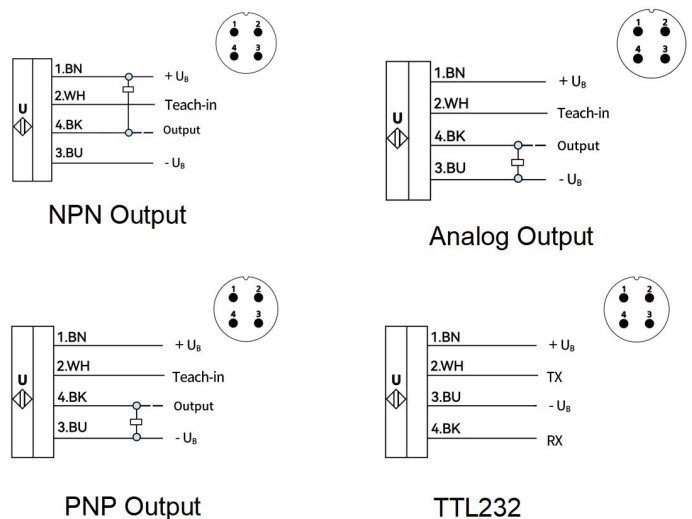
Specifications

Sensing range	180-2000mm	180-3000mm	Output indication	Red LED: No target detected in teach-in state, always on
Blind area	0-180mm		Yellow LED: In normal working mode, the switch status	
Resolution ratio	1mm		Blue LED: Target detected in teach-in state, flashing	
Repeat accuracy	±0.15% of full scale value		Green LED: Power indicator light, always on	
Absolute accuracy	±1% (temperature drift compensation)		Input type	With teach-in function
Response time	100ms	110ms	Ambient temperature	-25°C...70°C(248-343K)
Switch hysteresis	2mm		Storage temperature	-40°C...85°C(233-358K)
Switching frequency	10Hz		Output characteristics	Support serial port upgrade and change the output type
Power on delay	<500ms		Material	Copper nickel plating, glass bead filled epoxy resin
Working voltage	15...30VDC		Protection degree	IP67
No-load current	≤25mA		Connection	4 pin M12 connector

Dimension



Wiring diagram



Ultrasonic sensor **UR30** Synchronous series



Feature Description

- ◆ M30 installation threaded sleeve
- ◆ Synchronization function
- ◆ 1 NPN or PNP switch output
- ◆ Analog voltage output 0-5/10V or analog current output 4-20mA
- ◆ Digital TTL output
- ◆ Output can be changed through serial port upgrade
- ◆ Setting detection distance through teach-in lines
- ◆ Temperature compensation

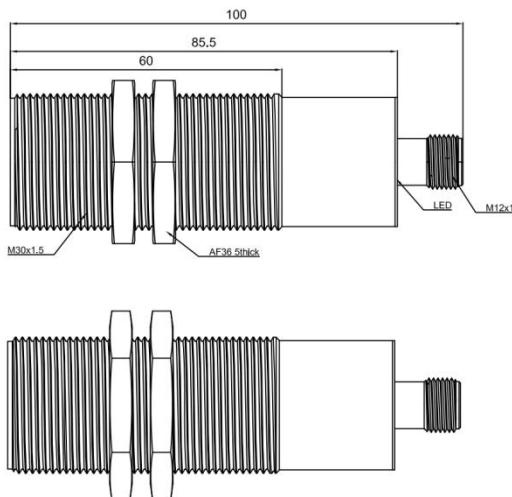
Model specifications

NPN NO/NC	UR30-CC50DNBS-E5	UR30-CM2DNBS-E5	PNP NO/NC	UR30-CC50DPBS-E5	UR30-CM2DPBS-E5
NPN Hysteresis mode	UR30-CC50DNHS-E5	UR30-CM2DNHS-E5	PNP Hysteresis mode	UR30-CC50DPHS-E5	UR30-CM2DPHS-E5
0-5V Analog output	UR30-CC50DU5S-E5	UR30-CM2DU5S-E5	4-20mA Analog output	UR30-CC50DIS-E5	UR30-CM2DIS-E5
0-10V Analog output	UR30-CC50DU10S-E5	UR30-CM2DU10S-E5	Com TTL232	UR30-CC50DTS-E5	UR30-CM2DTS-E5

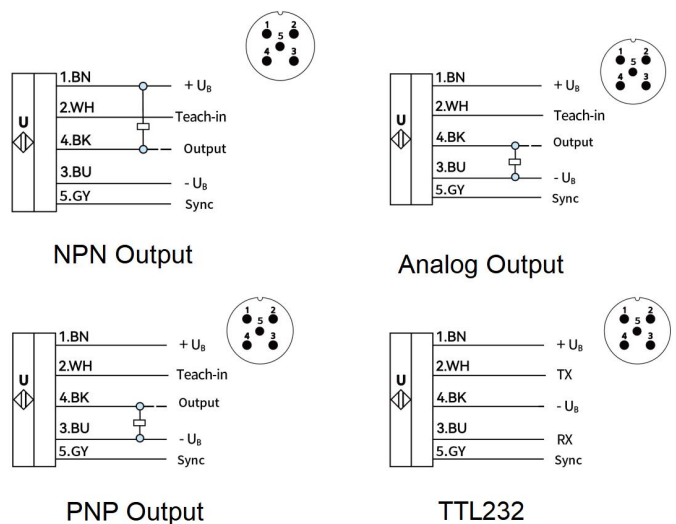
Specifications

Sensing range	50-500mm	120-2000mm	Standard test board	100 × 100mm
Blind area	0-50mm	0-120mm	Angle	±4°
Resolution ratio	0.5mm		Output indication	Red LED: working state:error;teach-in state:no target detected Yellow LED:always on:switch output; flashing: teach-in state Green LED: always on:power on; flashing:target detected
Repeat accuracy	± 0.15% of full scale value		Input type	With teach-in function
Absolute accuracy	± 1% (temperature drift compensation)		Ambient temperature	-25°C...70°C(248-343K)
Response time	50ms*N	100ms*N	Storage temperature	-40°C...85°C(233-358K)
	(synchronous number N ≤ 5)		Output characteristics	Support serial port upgrade and change the output type
Switch hysteresis	2mm		Material	Copper nickel plating, glass bead filled epoxy resin
Switching frequency	175KHz		Protection degree	IP67
Power on delay	<500ms		Connection	5 pin M12 connector
Working voltage	9...30VDC			
Rated working current	200mA			

Dimension



Wiring diagram



По вопросам продаж и поддержки обращайтесь:

Алматы (727)345-47-04
Ангарск (3955)60-70-56
Архангельск (8182)63-90-72
Астрахань (8512)99-46-04
Барнаул (3852)73-04-60
Белгород (4722)40-23-64
Благовещенск (4162)22-76-07
Брянск (4832)59-03-52
Владивосток (423)249-28-31
Владикавказ (8672)28-90-48
Владимир (4922)49-43-18
Волгоград (844)278-03-48
Вологда (8172)26-41-59
Воронеж (473)204-51-73
Екатеринбург (343)384-55-89

Иваново (4932)77-34-06
Ижевск (3412)26-03-58
Иркутск (395)279-98-46
Казань (843)206-01-48
Калининград (4012)72-03-81
Калуга (4842)92-23-67
Кемерово (3842)65-04-62
Киров (8332)68-02-04
Коломна (4966)23-41-49
Кострома (4942)77-07-48
Краснодар (861)203-40-90
Красноярск (391)204-63-61
Курск (4712)77-13-04
Курган (3522)50-90-47
Липецк (4742)52-20-81

Магнитогорск (3519)55-03-13
Москва (495)268-04-70
Мурманск (8152)59-64-93
Набережные Челны (8552)20-53-41
Новокузнецк (3843)20-46-81
Ноябрьск (3496)41-32-12
Новосибирск (383)227-86-73
Омск (3812)21-46-40
Орел (4862)44-53-42
Оренбург (3532)37-68-04
Пенза (8412)22-31-16
Петрозаводск (8142)55-98-37
Псков (8112)59-10-37
Пермь (342)205-81-47

Ростов-на-Дону (863)308-18-15
Рязань (4912)46-61-64
Самара (846)206-03-16
Санкт-Петербург (812)309-46-40
Саратов (845)249-38-78
Севастополь (8692)22-31-93
Саранск (8342)22-96-24
Симферополь (3652)67-13-56
Смоленск (4812)29-41-54
Сочи (862)225-72-31
Ставрополь (8652)20-65-13
Сургут (3462)77-98-35
Сыктывкар (8212)25-95-17
Тамбов (4752)50-40-97
Тверь (4822)63-31-35

Тольятти (8482)63-91-07
Томск (3822)98-41-53
Тула (4872)33-79-87
Тюмень (3452)66-21-18
Ульяновск (8422)24-23-59
Улан-Удэ (3012)59-97-51
Уфа (347)229-48-12
Хабаровск (4212)92-98-04
Чебоксары (8352)28-53-07
Челябинск (351)202-03-61
Череповец (8202)49-02-64
Чита (3022)38-34-83
Якутск (4112)23-90-97
Ярославль (4852)69-52-93

Россия +7(495)268-04-70

Казахстан +(727)345-47-04

Беларусь +(375)257-127-884

Узбекистан +998(71)205-18-59

Киргизия +996(312)96-26-47

эл.почта: ahj@nt-rt.ru || сайт: <https://lanbao.nt-rt.ru/>