

Датчики измерительной световой завесы МН40/МН20

Технические характеристики

По вопросам продаж и поддержки обращайтесь:

Алматы (727)345-47-04
Ангарск (3955)60-70-56
Архангельск (8182)63-90-72
Астрахань (8512)99-46-04
Барнаул (3852)73-04-60
Белгород (4722)40-23-64
Благовещенск (4162)22-76-07
Брянск (4832)59-03-52
Владивосток (423)249-28-31
Владикавказ (8672)28-90-48
Владимир (4922)49-43-18
Волгоград (844)278-03-48
Вологда (8172)26-41-59
Воронеж (473)204-51-73
Екатеринбург (343)384-55-89

Иваново (4932)77-34-06
Ижевск (3412)26-03-58
Иркутск (395)279-98-46
Казань (843)206-01-48
Калининград (4012)72-03-81
Калуга (4842)92-23-67
Кемерово (3842)65-04-62
Киров (8332)68-02-04
Коломна (4966)23-41-49
Кострома (4942)77-07-48
Краснодар (861)203-40-90
Красноярск (391)204-63-61
Курск (4712)77-13-04
Курган (3522)50-90-47
Липецк (4742)52-20-81

Магнитогорск (3519)55-03-13
Москва (495)268-04-70
Мурманск (8152)59-64-93
Набережные Челны (8552)20-53-41
Нижний Новгород (831)429-08-12
Новокузнецк (3843)20-46-81
Ноябрьск (3496)41-32-12
Новосибирск (383)227-86-73
Омск (3812)21-46-40
Орел (4862)44-53-42
Оренбург (3532)37-68-04
Пенза (8412)22-31-16
Петрозаводск (8142)55-98-37
Псков (8112)59-10-37
Пермь (342)205-81-47

Ростов-на-Дону (863)308-18-15
Рязань (4912)46-61-64
Самара (846)206-03-16
Санкт-Петербург (812)309-46-40
Саратов (845)249-38-78
Севастополь (8692)22-31-93
Саранск (8342)22-96-24
Симферополь (3652)67-13-56
Смоленск (4812)29-41-54
Сочи (862)225-72-31
Ставрополь (8652)20-65-13
Сургут (3462)77-98-35
Сыктывкар (8212)25-95-17
Тамбов (4752)50-40-97
Тверь (4822)63-31-35

Тольятти (8482)63-91-07
Томск (3822)98-41-53
Тула (4872)33-79-87
Тюмень (3452)66-21-18
Ульяновск (8422)24-23-59
Улан-Удэ (3012)59-97-51
Уфа (347)229-48-12
Хабаровск (4212)92-98-04
Чебоксары (8352)28-53-07
Челябинск (351)202-03-61
Череповец (8202)49-02-64
Чита (3022)38-34-83
Якутск (4112)23-90-97
Ярославль (4852)69-52-93

Россия +7(495)268-04-70

Казахстан +(727)345-47-04

Беларусь +(375)257-127-884

Узбекистан +998(71)205-18-59

Киргизия +996(312)96-26-47

эл.почта: ahj@nt-rt.ru || сайт: <https://lanbao.nt-rt.ru/>

Measuring light curtain **MH40** series



Features

- ◆RS485 synchronous scanning technology, strong anti interference function;
- ◆Various detection height, from 300mm to 2220mm;
- ◆Optic axis distance:20mm;
- ◆Dual switch control with two-way switch value and RS485 output;
- ◆Faul+alarm and fault diagnosis function.

Part number

Axis number	8 axis	16 axis	24 axis	32 axis	40 axis
Emitter	MH40-T0805L-F2	MH40-T1605L-F2	MH40-T2405L-F2	MH40-T3205L-F2	MH40-T4005L-F2
Receiver	MH40-T0805LS1DA-F8	MH40-T1605LS1DA-F8	MH40-T2405LS1DA-F8	MH40-T3205LS1DA-F8	MH40-T4005LS1DA-F8
Detection area	280mm	600mm	920mm	1260mm	1560mm
Response time	5ms	10ms	15ms	18ms	19ms
Axis number	48 axis	56 axis			
Emitter	MH40-T4805L-F2	MH40-T5605L-F2			
Receiver	MH40-T4805LS1DA-F8	MH40-T5605LS1DA-F8			
Detection area	1880mm	2200mm			
Response time	20ms	24ms			

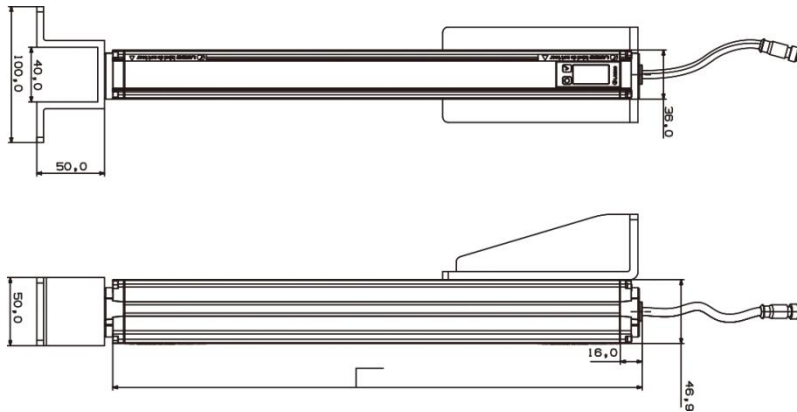
Technical specifications

Sensing distance	0~5m	Current consumption	<120mA@8 axis@30VDC
Axis distance	40mm	Scanning mode	Parallel light
Sensing target	Φ 60mm opaque object	Operating temperature	-25℃~+55℃
Light source	Infrared light (850nm)	Ambient humidity	35%~95%RH
Output 1	NPN/PNP, NO/NC settable*	Output indicator	OLED indicator LED indicator
Output 2	RS485	Insulation resistance	≥50MΩ
Supply voltage	DC 15~30V	Impact resistance	15g, 16ms, 1000 times for each X, Y, Z axis
Leakage current	<0.1mA@30VDC	Protection degree	IP65
Voltage drop	<1.5V@Ie=200mA	Housing material	Aluminium alloy
Synchronization mode	Line synchronization		
Load current	≤200mA (Receiver)		
Anti ambient light interference	50,000lx(incidence angle≥5°)		
Connection	Emitter: M12 4 pins connector+20cm cable; Receiver: M12 8 pins connector+20cm cable		
Protection circuit	Short circuit protection, Zener protection, surge protection and reverse polarity protection		
Impulse Withstand Voltage Test	Peak voltage 1000V, last for 50us, 3 times		
Vibration resistance	Frequency: 10~55Hz, amplitude: 0.5mm (2h per X,Y,Z direction)		
Accessory	Mounting bracket × 2, 8-core shielded wire × 1 (3m), 4-core shielded wire × 1 (15m)		

*Set by RS485 command

Measuring light curtain **MH40** series

Dimensions



Light curtain line sequence definition



Male

- | | |
|------------|---|
| 1 - Brown | Power+ |
| 2 - White | Output (NPN, PNP or NO, NC are configurable) |
| 3 - Blue | Power- |
| 4 - Black | Output (NPN, PNP or NO, NC are configurable) |
| 5 - Grey | Synchronizing signal+ (synchronizing signal+ with emitter) |
| 6 - Pink | Synchronizing signal- (synchronizing signal- with emitter) |
| 7 - Purple | RS485A |
| 8 - Orange | RS485B |



Male

- | | |
|-----------|--|
| 1 - Brown | Power+ |
| 2 - White | Synchronizing signal+ (synchronizing signal+ with receiver) |
| 3 - Blue | Power- |
| 4 - Black | Synchronizing signal- (synchronizing signal- with receiver) |

Measuring light curtain **MH20** series



Features

- ◆RS485 synchronous scanning technology, strong anti interference function;
- ◆Various detection height, from 300mm to 2220mm;
- ◆Optic axis distance:20mm;
- ◆Dual switch control with two-way switch value and RS485 output;
- ◆Faul+alarm and fault diagnosis function.

Part number

Axis number	16 axes	32 axes	48 axes	64 axes	80 axes
Emitter	MH20-T1605L-F2	MH20-T3205L-F2	MH20-T4805L-F2	MH20-T6405L-F2	MH20-T8005L-F2
Receiver	MH20-T1605LS1DA-F8	MH20-T3205LS1DA-F8	MH20-T4805LS1DA-F8	MH20-T6405LS1DA-F8	MH20-T8005LS1DA-F8
Detection area	300mm	620mm	940mm	1260mm	1580mm
Response time	5ms	10ms	15ms	18ms	19ms
Axis number	96 axes	112 axes			
Emitter	MH20-T9605L-F2	MH20-T11205L-F2			
Receiver	MH20-T9605LS1DA-F8	MH20-T11205LS1DA-F8			
Detection area	1900mm	2200mm			
Response time	20ms	24ms			

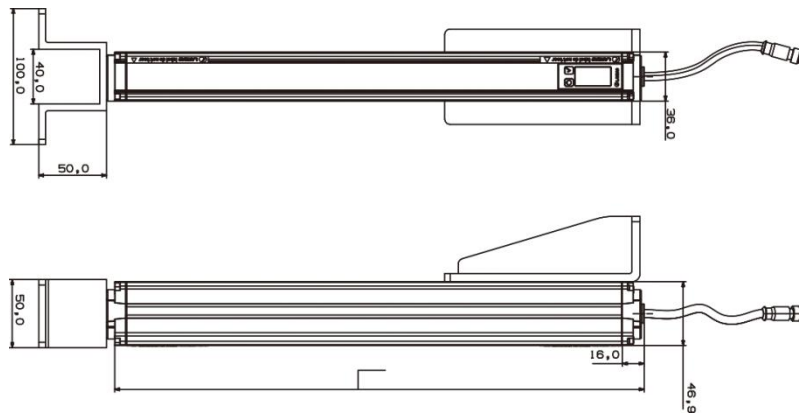
Technical specifications

Sensing distance	0~5m	Current consumption	<130mA@16 axis@30VDC
Axis distance	20mm	Scanning mode	Parallel light
Sensing target	Φ 30mm opaque object	Operating temperature	-25℃~+55℃
Light source	Infrared light (850nm)	Ambient humidity	35%~95%RH
Output 1	NPN/PNP, NO/NC settable*	Output indicator	OLED indicator LED indicator
Output 2	RS485	Insulation resistance	≥50MΩ
Supply voltage	DC 15~30V	Impact resistance	15g, 16ms, 1000 times for each X, Y, Z axis
Leakage current	<0.1mA@30VDC	Protection degree	IP65
Voltage drop	<1.5V@Ie=200mA	Housing material	Aluminium alloy
Synchronization mode	Line synchronization		
Load current	≤200mA (Receiver)		
Anti ambient light interference	50,000lx(incidence angle≥5°)		
Connection	Emitter: M12 4 pins connector+20cm cable; Receiver: M12 8 pins connector+20cm cable		
Protection circuit	Short circuit protection, Zener protection, surge protection and reverse polarity protection		
Impulse Withstand Voltage Test	Peak voltage 1000V, last for 50us, 3 times		
Vibration resistance	Frequency: 10~55Hz, amplitude: 0.5mm (2h per X,Y,Z direction)		
Accessory	Mounting bracket × 2, 8-core shielded wire × 1 (3m), 4-core shielded wire × 1 (15m)		

*Set by RS485 command

Measuring light curtain **MH20** series

Dimensions



Light curtain line sequence definition



Male

- | | |
|------------|---|
| 1 - Brown | Power+ |
| 2 - White | Output (NPN, PNP or NO, NC are configurable) |
| 3 - Blue | Power- |
| 4 - Black | Output (NPN, PNP or NO, NC are configurable) |
| 5 - Grey | Synchronizing signal+ (synchronizing signal+ with emitter) |
| 6 - Pink | Synchronizing signal- (synchronizing signal- with emitter) |
| 7 - Purple | RS485A |
| 8 - Orange | RS485B |



Male

- | | |
|-----------|--|
| 1 - Brown | Power+ |
| 2 - White | Synchronizing signal+ (synchronizing signal+ with receiver) |
| 3 - Blue | Power- |
| 4 - Black | Synchronizing signal- (synchronizing signal- with receiver) |

По вопросам продаж и поддержки обращайтесь:

Алматы (727)345-47-04
Ангарск (3955)60-70-56
Архангельск (8182)63-90-72
Астрахань (8512)99-46-04
Барнаул (3852)73-04-60
Белгород (4722)40-23-64
Благовещенск (4162)22-76-07
Брянск (4832)59-03-52
Владивосток (423)249-28-31
Владикавказ (8672)28-90-48
Владимир (4922)49-43-18
Волгоград (844)278-03-48
Вологда (8172)26-41-59
Воронеж (473)204-51-73
Екатеринбург (343)384-55-89

Иваново (4932)77-34-06
Ижевск (3412)26-03-58
Иркутск (395)279-98-46
Казань (843)206-01-48
Калининград (4012)72-03-81
Калуга (4842)92-23-67
Кемерово (3842)65-04-62
Киров (8332)68-02-04
Коломна (4966)23-41-49
Кострома (4942)77-07-48
Краснодар (861)203-40-90
Красноярск (391)204-63-61
Курск (4712)77-13-04
Курган (3522)50-90-47
Липецк (4742)52-20-81

Магнитогорск (3519)55-03-13
Москва (495)268-04-70
Мурманск (8152)59-64-93
Набережные Челны (8552)20-53-41
Новокузнецк (3843)20-46-81
Ноябрьск (3496)41-32-12
Новосибирск (383)227-86-73
Омск (3812)21-46-40
Орел (4862)44-53-42
Оренбург (3532)37-68-04
Пенза (8412)22-31-16
Петрозаводск (8142)55-98-37
Псков (8112)59-10-37
Пермь (342)205-81-47

Ростов-на-Дону (863)308-18-15
Рязань (4912)46-61-64
Самара (846)206-03-16
Санкт-Петербург (812)309-46-40
Саратов (845)249-38-78
Севастополь (8692)22-31-93
Саранск (8342)22-96-24
Симферополь (3652)67-13-56
Смоленск (4812)29-41-54
Сочи (862)225-72-31
Ставрополь (8652)20-65-13
Сургут (3462)77-98-35
Сыктывкар (8212)25-95-17
Тамбов (4752)50-40-97
Тверь (4822)63-31-35

Тольятти (8482)63-91-07
Томск (3822)98-41-53
Тула (4872)33-79-87
Тюмень (3452)66-21-18
Ульяновск (8422)24-23-59
Улан-Удэ (3012)59-97-51
Уфа (347)229-48-12
Хабаровск (4212)92-98-04
Чебоксары (8352)28-53-07
Челябинск (351)202-03-61
Череповец (8202)49-02-64
Чита (3022)38-34-83
Якутск (4112)23-90-97
Ярославль (4852)69-52-93

Россия +7(495)268-04-70

Казахстан +(727)345-47-04

Беларусь +(375)257-127-884

Узбекистан +998(71)205-18-59

Киргизия +996(312)96-26-47

эл.почта: ahj@nt-rt.ru || сайт: <https://lanbao.nt-rt.ru/>