

Емкостные датчики стандартные СЕ

Технические характеристики

По вопросам продаж и поддержки обращайтесь:

Алматы (727)345-47-04
Ангарск (3955)60-70-56
Архангельск (8182)63-90-72
Астрахань (8512)99-46-04
Барнаул (3852)73-04-60
Белгород (4722)40-23-64
Благовещенск (4162)22-76-07
Брянск (4832)59-03-52
Владивосток (423)249-28-31
Владикавказ (8672)28-90-48
Владимир (4922)49-43-18
Волгоград (844)278-03-48
Вологда (8172)26-41-59
Воронеж (473)204-51-73
Екатеринбург (343)384-55-89

Иваново (4932)77-34-06
Ижевск (3412)26-03-58
Иркутск (395)279-98-46
Казань (843)206-01-48
Калининград (4012)72-03-81
Калуга (4842)92-23-67
Кемерово (3842)65-04-62
Киров (8332)68-02-04
Коломна (4966)23-41-49
Кострома (4942)77-07-48
Краснодар (861)203-40-90
Красноярск (391)204-63-61
Курск (4712)77-13-04
Курган (3522)50-90-47
Липецк (4742)52-20-81

Магнитогорск (3519)55-03-13
Москва (495)268-04-70
Мурманск (8152)59-64-93
Набережные Челны (8552)20-53-41
Нижний Новгород (831)429-08-12
Новокузнецк (3843)20-46-81
Ноябрьск (3496)41-32-12
Новосибирск (383)227-86-73
Омск (3812)21-46-40
Орел (4862)44-53-42
Оренбург (3532)37-68-04
Пенза (8412)22-31-16
Петрозаводск (8142)55-98-37
Псков (8112)59-10-37
Пермь (342)205-81-47

Ростов-на-Дону (863)308-18-15
Рязань (4912)46-61-64
Самара (846)206-03-16
Санкт-Петербург (812)309-46-40
Саратов (845)249-38-78
Севастополь (8692)22-31-93
Саранск (8342)22-96-24
Симферополь (3652)67-13-56
Смоленск (4812)29-41-54
Сочи (862)225-72-31
Ставрополь (8652)20-65-13
Сургут (3462)77-98-35
Сыктывкар (8212)25-95-17
Тамбов (4752)50-40-97
Тверь (4822)63-31-35

Тольятти (8482)63-91-07
Томск (3822)98-41-53
Тула (4872)33-79-87
Тюмень (3452)66-21-18
Ульяновск (8422)24-23-59
Улан-Удэ (3012)59-97-51
Уфа (347)229-48-12
Хабаровск (4212)92-98-04
Чебоксары (8352)28-53-07
Челябинск (351)202-03-61
Череповец (8202)49-02-64
Чита (3022)38-34-83
Якутск (4112)23-90-97
Ярославль (4852)69-52-93

Россия +7(495)268-04-70

Казахстан +(727)345-47-04

Беларусь +(375)257-127-884

Узбекистан +998(71)205-18-59

Киргизия +996(312)96-26-47

эл.почта: ahj@nt-rt.ru || сайт: <https://lanbao.nt-rt.ru/>

Plastic Square Capacitive Sensor **CE05** series



Feature description:

- 5mm ultra-thin shape
- Screw mounting and strap mounting are optional
- Multiple distances are available
- Simultaneous detection of metallic and non-metallic objects



Part number	
NPN NO	CE05SN35DNO
NPN NC	CE05SN35DNC

Specification			
Installation	Non-flush	Protection circuit	Reverse polarity protection
Rated distance S_n	3.5mm	Output indicator	Yellow LED
Assured distance	0...2.85mm	Ambient temperature	-10°C...55°C
Shape size	20*50*5mm	Ambient humidity	35...95%RH
Output	NO/NC(Depending on model)	Switch frequency	30Hz
Supply voltage	10...30 VDC	Impulse resistance	1000V/AC 50/60Hz 60s
Standard target	Fe 30*30*1t	Insulation resistance	≥50MΩ(500VDC)
Switch point offset	≤±20%	Vibration resistance	Complex amplitude 1.5mm 10...50Hz (2h each in X,Y,Z directions)
Hysteresis range	1...20%	Protection degree	IP67
Repeated error	≤3%	Housing material	PBT
Load current	≤100mA	Connection	2m PVC cable
Residual voltage	≤2.5V		
Current consumption	≤15mA		

Dimensions	Wiring Diagram

Plastic square shape capacitive sensors **CE07** series



Features

- ◆ Be able to detect both metal and nonmetal objects;
- ◆ Be able to detect various media via nonmetallic container;
- ◆ Reliable liquid level detecting;



Part number						
NPN NO	CE07SF05DNO	CE07SN08DNO	PNP NO	CE07SF05DPO	CE07SN08DPO	
NPN NC	CE07SF05DNC	CE07SN08DNC	PNP NC	CE07SF05DPC	CE07SN08DPC	

Technical specifications					
Mounting	Flush	Non-flush	Consumption current	≤15mA	
Rated distance [Sn]	5mm	8 mm	Circuit protection	Reverse polarity protection	
Assured distance [Sa]	0...4mm	0...6.4mm	Output indicator	Yellow LED	
Dimensions	30*50*7mm		Ambient temperature	-10℃...55℃	
Output	NO/NC(depends on part number)		Ambient humidity	35-95%RH	
Supply voltage	10...30 VDC		Switching frequency [F]	60 Hz	
Standard target	Fe15*15*1t	Fe24*24*1t	Voltage withstand	1000V/AC 50/60Hz 60S	
Switch-point drifts [%/Sr]	≤±20%		Insulation resistance	≥50MΩ (500VDC)	
Hysteresis range [%/Sr]	3...20%		Vibration resistance	10...50Hz (1.5mm)	
Repeat accuracy [R]	≤3%		Degree of protection	IP67	
Load current	≤200mA		Housing material	PBT	
Residual voltage	≤2.5V		Connection type	2m PVC cable	

Dimensions	Wiring diagram

--Plastic square shape capacitive sensors **CE34** series



Features

- ◆ Be able to detect both metal and nonmetal objects;
- ◆ Be able to detect various media via nonmetallic container;
- ◆ Reliable liquid level detecting;



Part number			
NPN NO	CE34SN10DNO	PNP NO	CE34SN10DPO
NPN NC	CE34SN10DNC	PNP NC	CE34SN10DPC

Technical specifications			
Mounting	Non-flush	Consumption current	≤15mA
Rated distance [Sn]	10 mm(adjustable)	Circuit protection	Reverse polarity protection
Assured distance [Sa]	0...8mm	Output indicator	Yellow LED
Dimensions	20*50*10mm	Ambient temperature	-10°C...55°C
Output	NO/NC(depends on part number)	Ambient humidity	35-95%RH
Supply voltage	10...30 VDC	Switching frequency [F]	30 Hz
Standard target	Fe34*34*1t	Voltage withstand	1000V/AC 50/60Hz 60S
Switch-point drifts [%/Sr]	≤±20%	Insulation resistance	≥50MΩ (500VDC)
Hysteresis range [%/Sr]	3...20%	Vibration resistance	10...50Hz (1.5mm)
Repeat accuracy [R]	≤3%	Degree of protection	IP67
Load current	≤200mA	Housing material	PBT
Residual voltage	≤2.5V	Connection type	2m PVC cable

Dimensions	Wiring diagram
	<p>NPN NO PNP NO</p> <p>NPN NC PNP NC</p>

Plastic square shape capacitive sensors **CE35** series



Features

- ◆ Be able to detect both metal and nonmetal objects;
- ◆ Be able to detect various media via nonmetallic container;
- ◆ Reliable liquid level detecting;



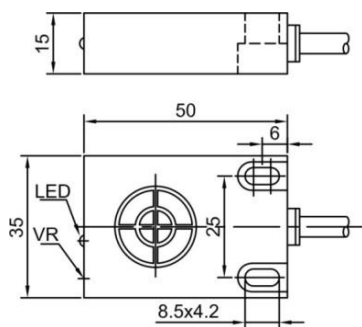
Part number

NPN NO	CE35SF10DNO	CE35SN15DNO	PNP NO	CE35SF10DPO	CE35SN15DPO
NPN NC	CE35SF10DNC	CE35SN15DNC	PNP NC	CE35SF10DPC	CE35SN15DPC

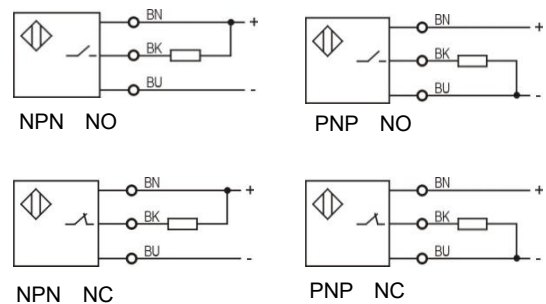
Technical specifications

Mounting	Flush	Non-flush	Consumption current	≤15mA
Rated distance [Sn]	10mm (adjustable)	15mm(adjustable)	Circuit protection	Reverse polarity protection
Assured distance [Sa]	0...8mm	0...12mm	Output indicator	Yellow LED
Dimensions	35*50*15mm		Ambient temperature	-10°C...55°C
Output	NO/NC(depends on part number)		Ambient humidity	35-95%RH
Supply voltage	10...30 VDC		Switching frequency [F]	50 Hz
Standard target	Fe35*35*1t	Fe45*45*1t	Voltage withstand	1000V/AC 50/60Hz 60S
Switch-point drifts [%/Sr]	±20%		Insulation resistance	≥50MΩ (500VDC)
Hysteresis range [%/Sr]	3...20%		Vibration resistance	10...50Hz (1.5mm)
Repeat accuracy [R]	≤3%		Degree of protection	IP67
Load current	≤200mA		Housing material	PBT
Residual voltage	≤2.5V		Connection type	2m PVC cable

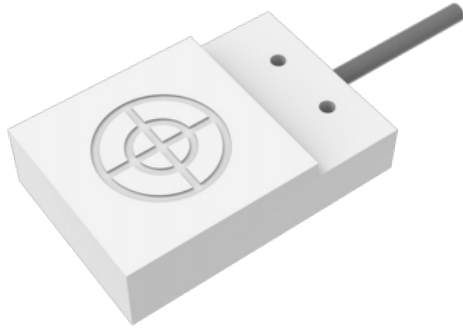
Dimensions



Wiring diagram



Plastic square shape capacitive sensors CE39 series



Features

- Be able to detect both metal and nonmetal objects
- Be able to detect various media via nonmetallic container

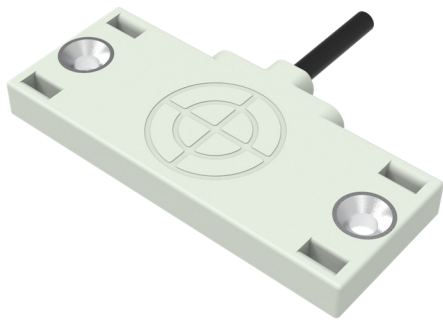


Part number			
NPN NO	CE39SN12DNO	PNP NO	CE39SN12DPO
NPN NC	CE39SN12DNC	PNP NC	CE39SN12DPC

Technical specifications			
Mounting	Non-flush	Consumption current	≤15mA
Rated distance [Sn]	2...12mm(adjustable)	Circuit protection	Reverse polarity protection
Assured distance	2...9.6mm	Output indicator	Yellow LED
Dimensions	39*59*15mm	Ambient temperature	-10°C...55°C
Output	NO/NC(dependsonpartnumber)	Ambient humidity	35...95%RH
Supply voltage	10...30 VDC	Switching frequency	50Hz
Standard target	Fe 45*45*1t	Voltage withstand	1000V/AC 50/60Hz 60s
Switch-point drifts	≤±20%	Insulation resistance	≥50MΩ (500VDC)
Hysteresis range	3...20%	Vibration resistance	10...50Hz(1.5mm)
Repeat accuracy	≤5%	Degree of protection	IP67
Load current	≤200mA	Housing material	PBT
Residual voltage	≤2.5V	Connection type	2m PVC cable

Dimensions	Wiring diagram

Plastic Square Capacitive Sensor **CE05-S** series



Features:

- 5mm ultra-thin shape
- Screw mounting and strap mounting are optional
- Adjustable detection distance
- Simultaneous detection of metallic and non-metallic objects



Part number			
NPN NO	CE05SN06DNOS	PNP NO	CE05SN06DPOS
NPN NC	CE05SN06DNCS	PNP NC	CE05SN06DPCS

Specifications			
Installation	Non-flush	Protection circuit	Reverse polarity protection, Short circuit protection, overload protection
Rated distance S_n	6mm(Adjustable)	Output indicator	Yellow LED
Assured distance	2...6mm	Ambient temperature	-25°C...70°C
Shape size	20*50*5mm	Ambient humidity	35...95%RH
Output	NO/NC(Depending on model)	Switch frequency	100Hz
Supply voltage	10...30 VDC	Impulse resistance	1000V/AC 50/60Hz 60s
Standard target	Fe 30*30*1t	Insulation resistance	≥50MΩ(500VDC)
Switch point offset	≤±10%	Vibration resistance	Complex amplitude 1.5mm 10...50Hz (2h each in X,Y,Z directions)
Hysteresis range	3...15%	Protection degree	IP67
Repeated error	≤3%	Housing material	PBT
Load current	≤100mA	Connection	2m PVC cable
Residual voltage	≤2.5V		
Current consumption	≤15mA		

Dimensions	Wiring Diagram

Plastic Square Capacitive Sensor **CE05** series



Feature description:

- 5mm ultra-thin shape
- Screw mounting and strap mounting are optional
- Multiple distances are available
- Simultaneous detection of metallic and non-metallic objects



Part number			
NPN NO	CE05SN05DNO	PNP NO	CE05SN05DPO
NPN NC	CE05SN05DNC	PNP NC	CE05SN05DPC

Specification			
Installation	Non-flush	Protection circuit	Reverse polarity protection
Rated distance S_n	5mm	Output indicator	Yellow LED
Assured distance	0...4mm	Ambient temperature	-10°C...55°C
Shape size	20*50*5mm	Ambient humidity	35...95%RH
Output	NO/NC(Depending on model)	Switch frequency	30Hz
Supply voltage	10...30 VDC	Impulse resistance	1000V/AC 50/60Hz 60s
Standard target	Fe 30*30*1t	Insulation resistance	≥50MΩ(500VDC)
Switch point offset	≤±20%	Vibration resistance	Complex amplitude 1.5mm 10...50Hz (2h each in X,Y,Z directions)
Hysteresis range	1...20%	Protection degree	IP67
Repeated error	≤3%	Housing material	PBT
Load current	≤100mA	Connection	2m PVC cable
Residual voltage	≤2.5V		
Current consumption	≤15mA		

Dimensions	Wiring Diagram

Plastic Square Capacitive Sensor **CE05** series



Features

- 5mm ultra-thin shape
- Screw mounting and strap mounting are optional
- Multiple distances are available
- Simultaneous detection of metallic and non-metallic objects



Part number			
NPN NO	CE05SN08DNO	PNP NO	CE05SN08DPO
NPN NC	CE05SN08DNC	PNP NC	CE05SN08DPC

Specification			
Installation	Non-flush	Protection circuit	Reverse polarity protection
Rated distance S_n	8mm	Output indicator	Yellow LED
Assured distance	0...5.5mm	Ambient temperature	-25°C...70°C
Shape size	20*50*5mm	Ambient humidity	35...95%RH
Output	NO/NC(Depending on model)	Switch frequency	30Hz
Supply voltage	10...30 VDC	Impulse resistance	1000V/AC 50/60Hz 60s
Standard target	Fe 30*30*1t	Insulation resistance	≥50MΩ(500VDC)
Switch point offset	≤±15%	Vibration resistance	Complex amplitude 1.5mm 10...50Hz (2h each in X,Y,Z directions)
Hysteresis range	3...20%	Protection degree	IP67
Repeated error	≤3%	Housing material	PBT
Load current	≤100mA	Connection	2m PVC cable
Residual voltage	≤2.5V		
Current consumption	≤15mA		

Dimensions	Wiring Diagram

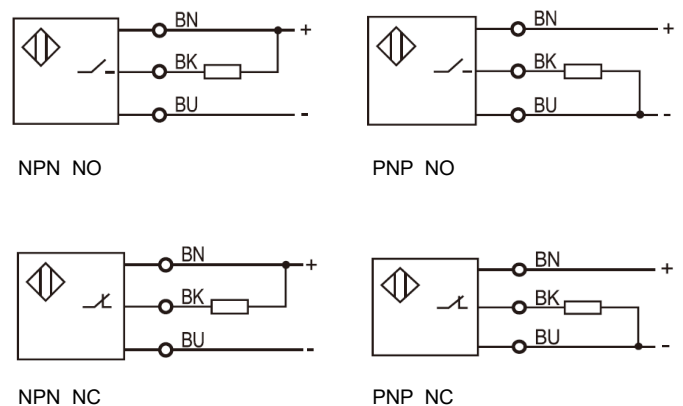
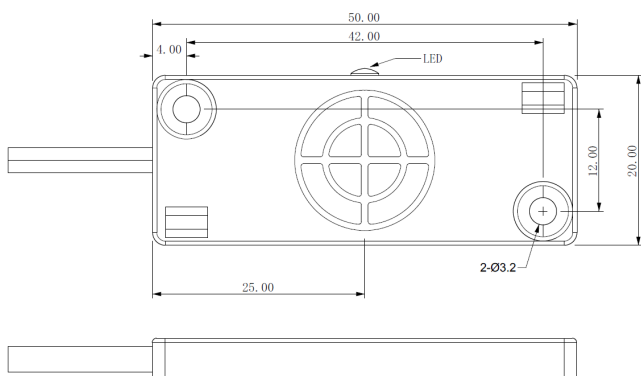
Plastic Square Capacitive Sensor **CE05X** series



Part number			
NPN NO	CE05XSN05DNO	PNP NO	CE05XSN05DPO
NPN NC	CE05XSN05DNC	PNP NC	CE05XSN05DPC

Specifications			
Installation	Non-flush	Protection circuit	Reverse polarity protection, Short circuit
Rated distance Sn	5mm(Not adjustable)		protection, overload protection
Assured distance	0..4mm	Ambient temperature	-25°C...70°C
Shape size	20*50*5mm	Ambient humidity	35...95%RH
Output	NO/NC(Depending on model)	Switch frequency	30Hz
Supply voltage	10...30 VDC	Impulse resistance	1000V/AC 50/60Hz 60s
Standard target	Fe 30*30*1t	Insulation resistance	≥50MQ(500VDC)
Hysteresis range	3...15%	Vibration resistance	Complex amplitude 1.5mm 10...50Hz
Repeated error	≤3%		(2h each in X,Y,Z directions)
Load current	≤100mA	Protection degree	IP67
Residual voltage	≤2.5V	Housing material	PBT
Current consumption	≤15mA	Connection	2m PVC cable
Output indicator	Yellow LED		

Dimensions	Wiring Diagram
------------	----------------



По вопросам продаж и поддержки обращайтесь:

Алматы (727)345-47-04
Ангарск (3955)60-70-56
Архангельск (8182)63-90-72
Астрахань (8512)99-46-04
Барнаул (3852)73-04-60
Белгород (4722)40-23-64
Благовещенск (4162)22-76-07
Брянск (4832)59-03-52
Владивосток (423)249-28-31
Владикавказ (8672)28-90-48
Владимир (4922)49-43-18
Волгоград (844)278-03-48
Вологда (8172)26-41-59
Воронеж (473)204-51-73
Екатеринбург (343)384-55-89

Иваново (4932)77-34-06
Ижевск (3412)26-03-58
Иркутск (395)279-98-46
Казань (843)206-01-48
Калининград (4012)72-03-81
Калуга (4842)92-23-67
Кемерово (3842)65-04-62
Киров (8332)68-02-04
Коломна (4966)23-41-49
Кострома (4942)77-07-48
Краснодар (861)203-40-90
Красноярск (391)204-63-61
Курск (4712)77-13-04
Курган (3522)50-90-47
Липецк (4742)52-20-81

Магнитогорск (3519)55-03-13
Москва (495)268-04-70
Мурманск (8152)59-64-93
Набережные Челны (8552)20-53-41
Новокузнецк (3843)20-46-81
Ноябрьск (3496)41-32-12
Новосибирск (383)227-86-73
Омск (3812)21-46-40
Орел (4862)44-53-42
Оренбург (3532)37-68-04
Пенза (8412)22-31-16
Петрозаводск (8142)55-98-37
Псков (8112)59-10-37
Пермь (342)205-81-47

Ростов-на-Дону (863)308-18-15
Рязань (4912)46-61-64
Самара (846)206-03-16
Санкт-Петербург (812)309-46-40
Саратов (845)249-38-78
Севастополь (8692)22-31-93
Саранск (8342)22-96-24
Симферополь (3652)67-13-56
Смоленск (4812)29-41-54
Сочи (862)225-72-31
Ставрополь (8652)20-65-13
Сургут (3462)77-98-35
Сыктывкар (8212)25-95-17
Тамбов (4752)50-40-97
Тверь (4822)63-31-35

Тольятти (8482)63-91-07
Томск (3822)98-41-53
Тула (4872)33-79-87
Тюмень (3452)66-21-18
Ульяновск (8422)24-23-59
Улан-Удэ (3012)59-97-51
Уфа (347)229-48-12
Хабаровск (4212)92-98-04
Чебоксары (8352)28-53-07
Челябинск (351)202-03-61
Череповец (8202)49-02-64
Чита (3022)38-34-83
Якутск (4112)23-90-97
Ярославль (4852)69-52-93

Россия +7(495)268-04-70

Казахстан +(727)345-47-04

Беларусь +(375)257-127-884

Узбекистан +998(71)205-18-59

Киргизия +996(312)96-26-47

эл.почта: ahj@nt-rt.ru || сайт: <https://lanbao.nt-rt.ru/>