

Емкостные датчики стандартные CR

Технические характеристики

По вопросам продаж и поддержки обращайтесь:

Алматы (727)345-47-04
Ангарск (3955)60-70-56
Архангельск (8182)63-90-72
Астрахань (8512)99-46-04
Барнаул (3852)73-04-60
Белгород (4722)40-23-64
Благовещенск (4162)22-76-07
Брянск (4832)59-03-52
Владивосток (423)249-28-31
Владикавказ (8672)28-90-48
Владимир (4922)49-43-18
Волгоград (844)278-03-48
Вологда (8172)26-41-59
Воронеж (473)204-51-73
Екатеринбург (343)384-55-89

Иваново (4932)77-34-06
Ижевск (3412)26-03-58
Иркутск (395)279-98-46
Казань (843)206-01-48
Калининград (4012)72-03-81
Калуга (4842)92-23-67
Кемерово (3842)65-04-62
Киров (8332)68-02-04
Коломна (4966)23-41-49
Кострома (4942)77-07-48
Краснодар (861)203-40-90
Красноярск (391)204-63-61
Курск (4712)77-13-04
Курган (3522)50-90-47
Липецк (4742)52-20-81

Магнитогорск (3519)55-03-13
Москва (495)268-04-70
Мурманск (8152)59-64-93
Набережные Челны (8552)20-53-41
Нижний Новгород (831)429-08-12
Новокузнецк (3843)20-46-81
Ноябрьск (3496)41-32-12
Новосибирск (383)227-86-73
Омск (3812)21-46-40
Орел (4862)44-53-42
Оренбург (3532)37-68-04
Пенза (8412)22-31-16
Петрозаводск (8142)55-98-37
Псков (8112)59-10-37
Пермь (342)205-81-47

Ростов-на-Дону (863)308-18-15
Рязань (4912)46-61-64
Самара (846)206-03-16
Санкт-Петербург (812)309-46-40
Саратов (845)249-38-78
Севастополь (8692)22-31-93
Саранск (8342)22-96-24
Симферополь (3652)67-13-56
Смоленск (4812)29-41-54
Сочи (862)225-72-31
Ставрополь (8652)20-65-13
Сургут (3462)77-98-35
Сыктывкар (8212)25-95-17
Тамбов (4752)50-40-97
Тверь (4822)63-31-35

Тольятти (8482)63-91-07
Томск (3822)98-41-53
Тула (4872)33-79-87
Тюмень (3452)66-21-18
Ульяновск (8422)24-23-59
Улан-Удэ (3012)59-97-51
Уфа (347)229-48-12
Хабаровск (4212)92-98-04
Чебоксары (8352)28-53-07
Челябинск (351)202-03-61
Череповец (8202)49-02-64
Чита (3022)38-34-83
Якутск (4112)23-90-97
Ярославль (4852)69-52-93

Россия +7(495)268-04-70

Казахстан +(727)345-47-04

Беларусь +(375)257-127-884

Узбекистан +998(71)205-18-59

Киргизия +996(312)96-26-47

эл.почта: ahj@nt-rt.ru || сайт: <https://lanbao.nt-rt.ru/>

Plastic cylindrical shape capacitive sensors **CR30S** series



Features

- ◆ Be able to detect both metal and nonmetal objects;
- ◆ Be able to detect various media via nonmetallic container;
- ◆ Reliable liquid level detecting;



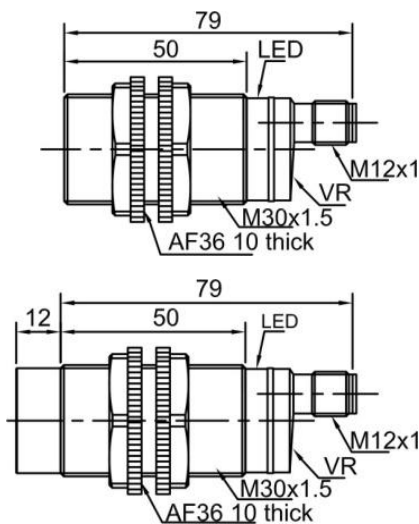
Part number

NPN NO	CR30SCF10DNO-E2	CR30SCN15DNO-E2	PNP NO	CR30SCF10DPO-E2	CR30SCN15DPO-E2
NPN NC	CR30SCF10DNC-E2	CR30SCN15DNC-E2	PNP NC	CR30SCF10DPC-E2	CR30SCN15DPC-E2
NPN NO+NC	CR30SCF10DNR-E2	CR30SCN15DNR-E2	PNP NO+NC	CR30SCF10DPR-E2	CR30SCN15DPR-E2

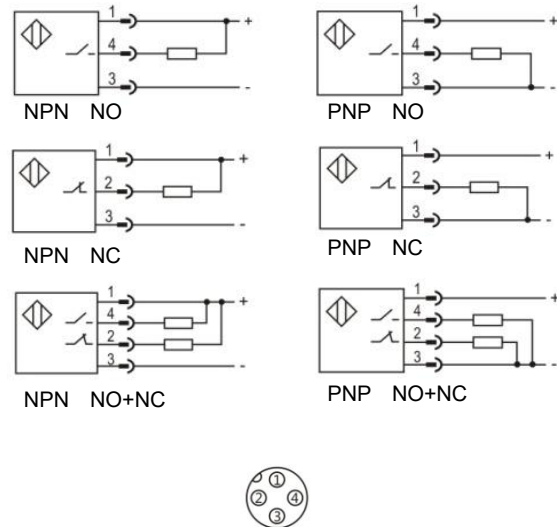
Technical specifications

Mounting	Flush	Non-flush	Consumption current	≤15mA
Rated distance [Sn]	10mm (adjustable)	15mm (adjustable)	Circuit protection	Short-circuit, overload and reverse polarity
Assured distance [Sa]	0...8mm	0...12mm	Output indicator	Yellow LED
Dimensions	M30*79mm	M30*91 mm	Ambient temperature	-25℃...70℃
Output	NO/NC(depends on part number)		Ambient humidity	35-95%RH
Supply voltage	10...30 VDC		Switching frequency [F]	50 Hz
Standard target	Fe30*30*1t	Fe 45*45*1t	Voltage withstand	1000V/AC 50/60Hz 60S
Switch-point drifts [%/Sr]	≤±20%		Insulation resistance	≥50MΩ (500VDC)
Hysteresis range [%/Sr]	3...20%		Vibration resistance	10...50Hz (1.5mm)
Repeat accuracy [R]	≤3%		Degree of protection	IP67
Load current	≤200mA		Housing material	PBT
Residual voltage	≤2.5V		Connection type	M12 connector

Dimensions



Wiring diagram



Plastic cylindrical shape capacitive sensors **CR30S** series



Features

- ◆ Be able to detect both metal and nonmetal objects;
- ◆ Be able to detect various media via nonmetallic container;
- ◆ Reliable liquid level detecting;



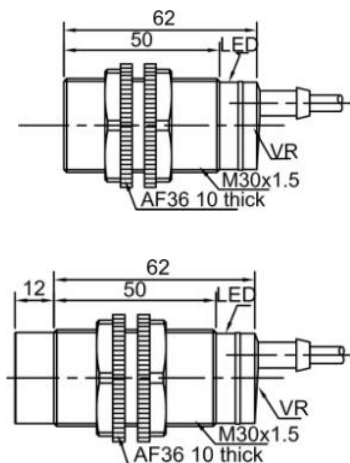
Part number

NPN NO	CR30SCF10DNO	CR30SCN15DNO	PNP NO	CR30SCF10DPO	CR30SCN15DPO
NPN NC	CR30SCF10DNC	CR30SCN15DNC	PNP NC	CR30SCF10DPC	CR30SCN15DPC
NPN NO+NC	CR30SCF10DNR	CR30SCN15DNR	PNP NO+NC	CR30SCF10DPR	CR30SCN15DPR

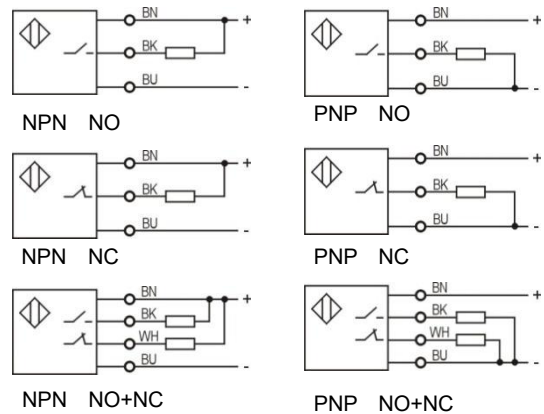
Technical specifications

Mounting	Flush	Non-flush	Consumption current	≤15mA
Rated distance [Sn]	10mm (adjustable)	15mm (adjustable)	Circuit protection	Short-circuit, overload and reverse polarity
Assured distance [Sa]	0...8mm	0...12mm	Output indicator	Yellow LED
Dimensions	M30*62mm	M30*74 mm	Ambient temperature	-25°C...70°C
Output	NO/NC(depends on part number)		Ambient humidity	35-95%RH
Supply voltage	10...30 VDC		Switching frequency [F]	50 Hz
Standard target	Fe30*30*1t	Fe 45*45*1t	Voltage withstand	1000V/AC 50/60Hz 60S
Switch-point drifts [%/Sr]	≤±20%		Insulation resistance	≥50MΩ (500VDC)
Hysteresis range [%/Sr]	3...20%		Vibration resistance	10...50Hz (1.5mm)
Repeat accuracy [R]	≤3%		Degree of protection	IP67
Load current	≤200mA		Housing material	PBT
Residual voltage	≤2.5V		Connection type	2m PVC cable

Dimensions



Wiring diagram



Plastic cylindrical shape capacitive sensors **CR30S** series



Features

- ◆ Be able to detect both metal and nonmetal objects;
- ◆ Be able to detect various media via nonmetallic container;
- ◆ Reliable liquid level detecting;



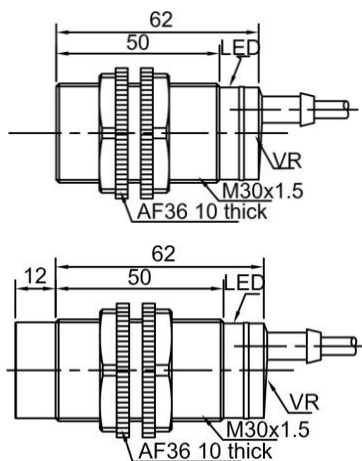
Part number

AC2 wires NO	CR30SCF10ATO	CR30SCN15ATO	AC2 wires NC	CR30SCF10ATC	CR30SCN15ATC
--------------	--------------	--------------	--------------	--------------	--------------

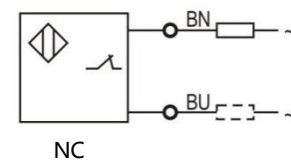
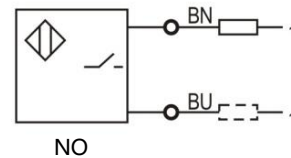
Technical specifications

Mounting	Flush Non-flush	Leakage current [I _r]	≤3mA
Rated distance [S _n]	10mm (adjustable) 15mm(adjustable)	Circuit protection
Assured distance [S _a]	0...8mm 0...12mm	Output indicator	Yellow LED
Dimensions	M30*62mm M30*74 mm	Ambient temperature	-25°C...70°C
Output	NO/NC(depends on part number)	Ambient humidity	35-95%RH
Supply voltage	20...250 VAC	Switching frequency [F]	15 Hz
Standard target	Fe 30*30*1t Fe 45*45*1t	Voltage withstand	2000V/AC 50/60Hz 60S
Switch-point drifts [%/Sr]	≤±20%	Insulation resistance	≥50MΩ (500VDC)
Hysteresis range [%/Sr]	3...20%	Vibration resistance	10...50Hz (1.5mm)
Repeat accuracy [R]	≤3%	Degree of protection	IP67
Load current	≤300mA	Housing material	PBT
Residual voltage	≤10V	Connection type	2m PVC cable

Dimensions



Wiring diagram



Plastic cylindrical shape capacitive sensors **CR30S** series



Features

- ◆ Be able to detect both metal and nonmetal objects;
- ◆ Be able to detect various media via nonmetallic container;
- ◆ Reliable liquid level detecting;



Part number

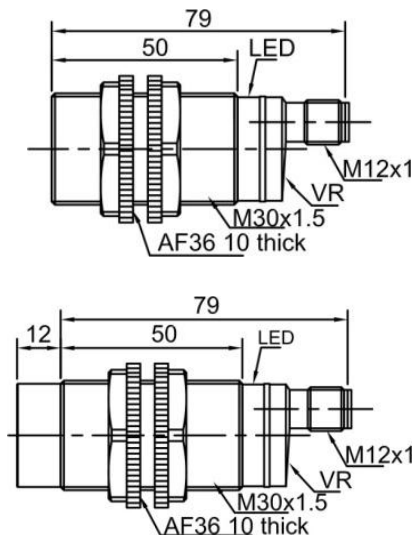
AC2 wires NO CR30SCF10ATO-E2 CR30SCN15ATO-E2

AC2 wires NC CR30SCF10ATC-E2 CR30SCN15ATC-E2

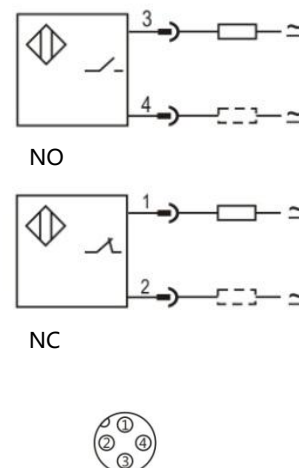
Technical specifications

Mounting	Flush	Non-flush	Leakage current [I _r]	≤3mA
Rated distance [S _n]	10mm (adjustable)	15mm(adjustable)	Circuit protection
Assured distance [S _a]	0...8mm	0...12mm	Output indicator	Yellow LED
Dimensions	M30*79mm	M30*91 mm	Ambient temperature	-25°C...70°C
Output	NO/NC(depends on part number)		Ambient humidity	35-95%RH
Supply voltage	20...250 VAC		Switching frequency [F]	15 Hz
Standard target	Fe 30*30*1t	Fe 45*45*1t	Voltage withstand	2000V/AC 50/60Hz 60S
Switch-point drifts [%/Sr]	≤±20%		Insulation resistance	≥50MΩ (500VDC)
Hysteresis range [%/Sr]	3...20%		Vibration resistance	10...50Hz (1.5mm)
Repeat accuracy [R]	≤3%		Degree of protection	IP67
Load current	≤300mA		Housing material	PBT
Residual voltage	≤10V		Connection type	M12 connector

Dimensions



Wiring diagram



Plastic cylindrical shape capacitive sensors **CR30S** series



Features

- ◆ Be able to detect both metal and nonmetal objects;
- ◆ Be able to detect various media via nonmetallic container;
- ◆ Reliable liquid level detecting;



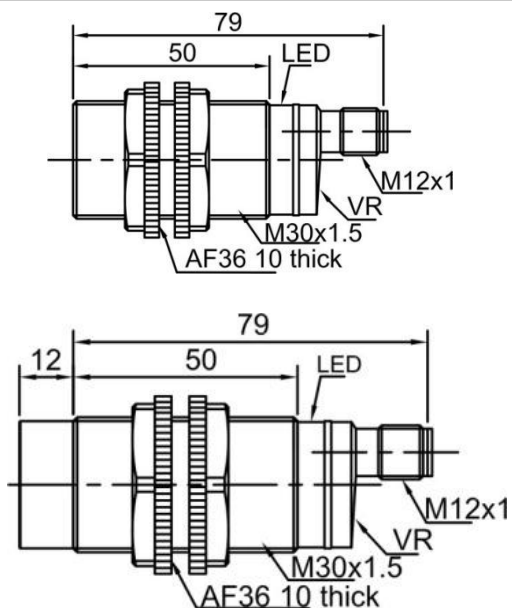
Part number

AC/DC 2 wires NO	CR30SCF10SBO-E2	CR30SCN15SBO-E2	AC/DC 2 wires NC	CR30SCF10SBC-E2	CR30SCN15SBC-E2
------------------	-----------------	-----------------	------------------	-----------------	-----------------

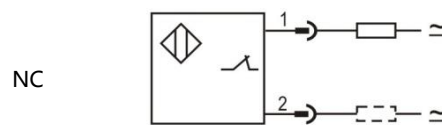
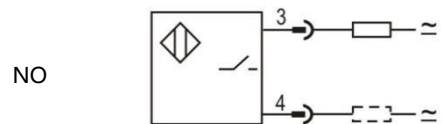
Technical specifications

Mounting	Flush	Non-flush	Leakage current [I _r]	AC:≤3mA	DC:≤1mA
Rated distance [S _n]	10mm (adjustable) 15mm (adjustable)		Circuit protection	
Assured distance [S _a]	0...8mm	0...12mm	Output indicator	Yellow LED	
Dimensions	M30*79mm	M30*91mm	Ambient temperature	-25°C...70°C	
Output	NO/NC (depends on part number)		Ambient humidity	35-95%RH	
Supply voltage	20...250 VAC/DC		Switching frequency [F]	AC: 15 Hz	DC:40Hz
Standard target	Fe 45*45*1t		Voltage withstand	2000V/AC 50/60Hz 60S	
Switch-point drifts [%/Sr]	±20%		Insulation resistance	≥50MΩ (500VDC)	
Hysteresis range [%/Sr]	3...20%		Vibration resistance	10...50Hz (1.5mm)	
Repeat accuracy [R]	≤3%		Degree of protection	IP67	
Load current	AC:≤300mA	DC:≤100mA	Housing material	PBT	
Residual voltage	AC:≤10V	DC:≤8V	Connection type	M12 connector	

Dimensions



Wiring diagram



Plastic cylindrical shape capacitive sensors **CR30S** series



Features

- ◆ Be able to detect both metal and nonmetal objects;
- ◆ Be able to detect various media via nonmetallic container;
- ◆ Reliable liquid level detecting;



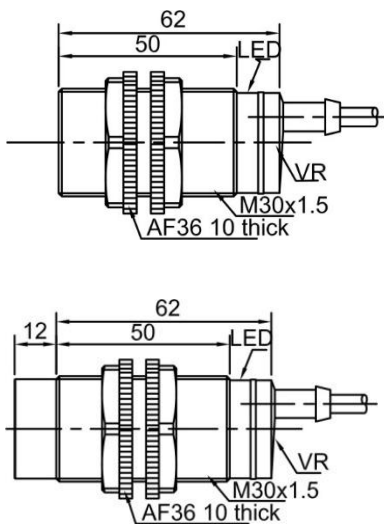
Part number

AC/DC 2 wires NO	CR30SCF10SBO	CR30SCN15SBO	AC/DC 2 wires NC	CR30SCF10SBC	CR30SCN15SBC
------------------	--------------	--------------	------------------	--------------	--------------

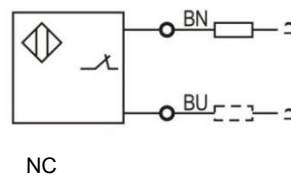
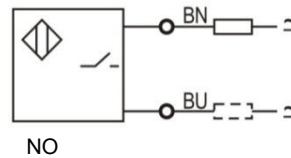
Technical specifications

Mounting	Flush	Non-flush	Leakage current [Ir]	AC:≤3mA	DC:≤1mA
Rated distance [Sn]	10mm (adjustable) 15mm (adjustable)		Circuit protection	
Assured distance [Sa]	0...8mm	0...12mm	Output indicator	Yellow LED	
Dimensions	M30*62mm	M30*74mm	Ambient temperature	-25°C...70°C	
Output	NO/NC (depends on part number)		Ambient humidity	35-95%RH	
Supply voltage	20...250 VAC/DC		Switching frequency [F]	AC: 15 Hz	DC:40Hz
Standard target	Fe 45*45*1t		Voltage withstand	2000V/AC 50/60Hz 60S	
Switch-point drifts [%/Sr]	≤±20%		Insulation resistance	≥50MΩ (500VDC)	
Hysteresis range [%/Sr]	3...20%		Vibration resistance	10...50Hz (1.5mm)	
Repeat accuracy [R]	≤3%		Degree of protection	IP67	
Load current	AC:≤300mA	DC:≤100mA	Housing material	PBT	
Residual voltage	AC:≤10V	DC:≤8V	Connection type	2m PVC cable	

Dimensions



Wiring diagram



Metal cylindrical shape capacitive sensors **CR30** series



Features

- ◆ Be able to detect both metal and nonmetal objects;
- ◆ Be able to detect various media via nonmetallic container;
- ◆ Reliable liquid level detecting;



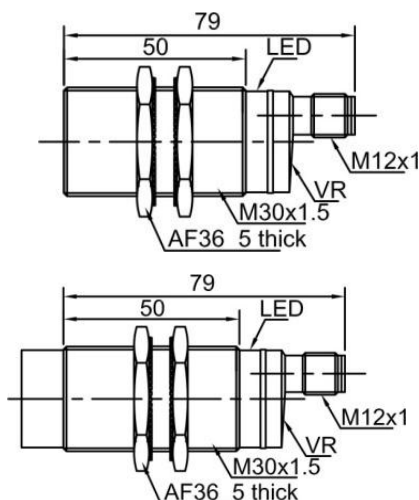
Part number

NPN NO	CR30CF10DNO-E2	CR30CN15DNO-E2	PNP NO	CR30CF10DPO-E2	CR30CN15DPO-E2
NPN NC	CR30CF10DNC-E2	CR30CN15DNC-E2	PNP NC	CR30CF10DPC-E2	CR30CN15DPC-E2
NPN NO+NC	CR30CF10DNR-E2	CR30CN15DNR-E2	PNP NO+NC	CR30CF10DPR-E2	CR30CN15DPR-E2

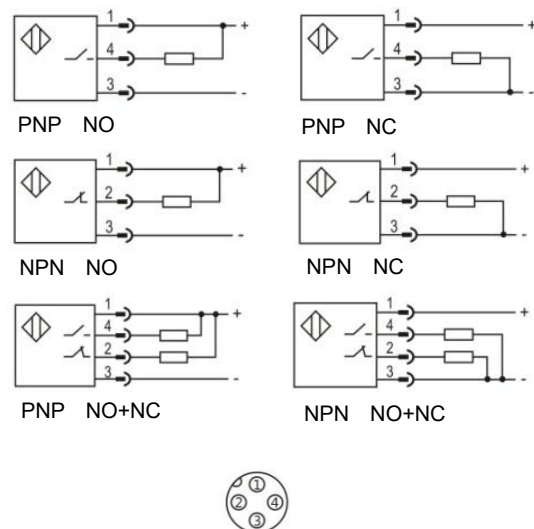
Technical specifications

Mounting	Flush Non-flush	Consumption current	≤15mA
Rated distance [Sn]	10mm (adjustable) 15mm (adjustable)	Circuit protection	Short-circuit, overload and reverse polarity
Assured distance [Sa]	0...8mm 0...12mm	Output indicator	Yellow LED
Dimensions	M30*79mm M30*91 mm	Ambient temperature	-25℃...70℃
Output	NO/NC(depends on part number)	Ambient humidity	35-95%RH
Supply voltage	10...30 VDC	Switching frequency [F]	50 Hz
Standard target	Fe30*30*1t Fe 45*45*1t	Voltage withstand	1000V/AC 50/60Hz 60S
Switch-point drifts [%/Sr]	±20%	Insulation resistance	≥50MΩ (500VDC)
Hysteresis range [%/Sr]	3...20%	Vibration resistance	10...50Hz (1.5mm)
Repeat accuracy [R]	≤3%	Degree of protection	IP67
Load current	≤200mA	Housing material	Nick-copper alloy
Residual voltage	≤2.5V	Connection type	M12 connector

Dimensions



Wiring diagram



Metal cylindrical shape capacitive sensors **CR30** series



Features

- ◆ Be able to detect both metal and nonmetal objects;
- ◆ Be able to detect various media via nonmetallic container;
- ◆ Reliable liquid level detecting;



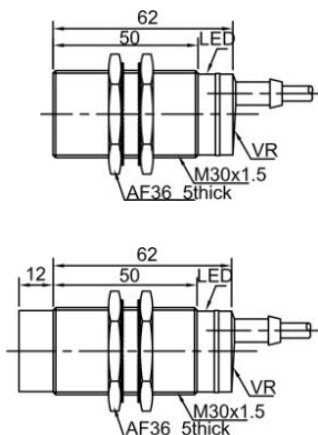
Part number

NPN NO	CR30CF10DNO	CR30CN15DNO	PNP NO	CR30CF10DPO	CR30CN15DPO
NPN NC	CR30CF10DNC	CR30CN15DNC	PNP NC	CR30CF10DPC	CR30CN15DPC
NPN NO+NC	CR30CF10DNR	CR30CN15DNR	PNP NO+NC	CR30CF10DPR	CR30CN15DPR

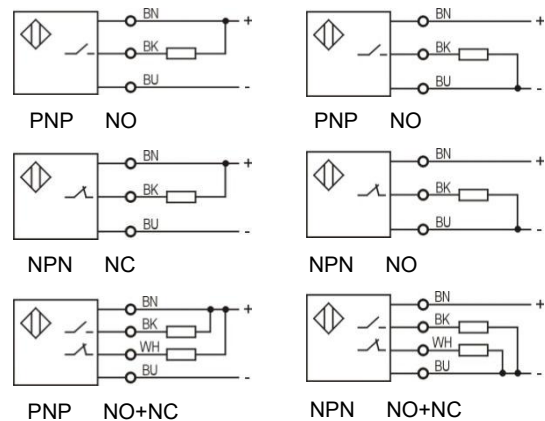
Technical specifications

Mounting	Flush	Non-flush	Consumption current	≤15mA
Rated distance [Sn]	10mm (adjustable)	15mm (adjustable)	Circuit protection	Short-circuit, overload and reverse polarity
Assured distance [Sa]	0...8mm	0...12mm	Output indicator	Yellow LED
Dimensions	M30*62mm	M30*74mm	Ambient temperature	-25°C...70°C
Output	NO/NC(depends on part number)		Ambient humidity	35-95%RH
Supply voltage	10...30 VDC		Switching frequency [F]	50 Hz
Standard target	Fe30*30*1t	Fe 45*45*1t	Voltage withstand	1000V/AC 50/60Hz 60S
Switch-point drifts [%/Sr]	≤±20%		Insulation resistance	≥50MΩ (500VDC)
Hysteresis range [%/Sr]	3...20%		Vibration resistance	10...50Hz (1.5mm)
Repeat accuracy [R]	≤3%		Degree of protection	IP67
Load current	≤200mA		Housing material	Nick-copper alloy
Residual voltage	≤2.5V		Connection type	2m PVC cable

Dimensions



Wiring diagram



Metal cylindrical shape capacitive sensors **CR30** series



Features

- ◆ Be able to detect both metal and nonmetal objects;
- ◆ Be able to detect various media via nonmetallic container;
- ◆ Reliable liquid level detecting;



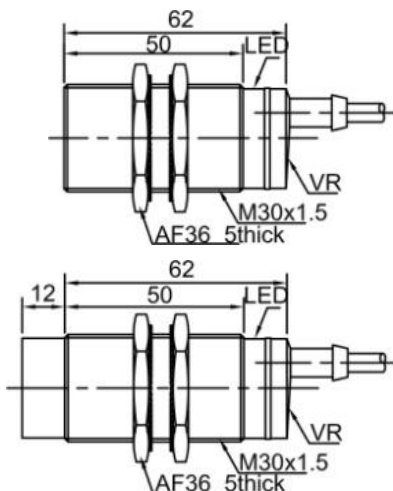
Part number

AC2 wires	NO	CR30CF10ATO	CR30CN15ATO	AC2 wires	NC	CR30CF10ATC	CR30CN15ATC
-----------	----	-------------	-------------	-----------	----	-------------	-------------

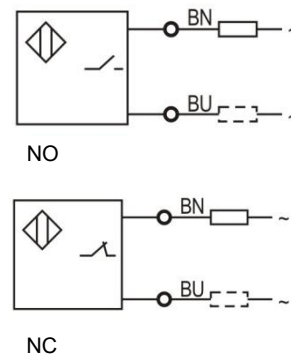
Technical specifications

Mounting	Flush	Non-flush	Leakage current [I _l]	≤3mA
Rated distance [S _n]	10mm (adjustable) 15mm(adjustable)		Circuit protection
Assured distance [S _a]	0...8mm	0...12mm	Output indicator	Yellow LED
Dimensions	M30*62mm	M30*74 mm	Ambient temperature	-25°C...70°C
Output	NO/NC(depends on part number)		Ambient humidity	35-95%RH
Supply voltage	20...250 VAC		Switching frequency [F]	15 Hz
Standard target	Fe 30*30*1t	Fe 45*45*1t	Voltage withstand	2000V/AC 50/60Hz 60S
Switch-point drifts [%/Sr]	≤±20%		Insulation resistance	≥50MΩ (500VDC)
Hysteresis range [%/Sr]	3...20%		Vibration resistance	10...50Hz (1.5mm)
Repeat accuracy [R]	≤3%		Degree of protection	IP67
Load current	≤300mA		Housing material	Nick-copper alloy
Residual voltage	≤10V		Connection type	2m PVC cable

Dimensions



Wiring diagram



Metal cylindrical shape capacitive sensors **CR30** series



Features

- ◆ Be able to detect both metal and nonmetal objects;
- ◆ Be able to detect various media via nonmetallic container;
- ◆ Reliable liquid level detecting;



Part number

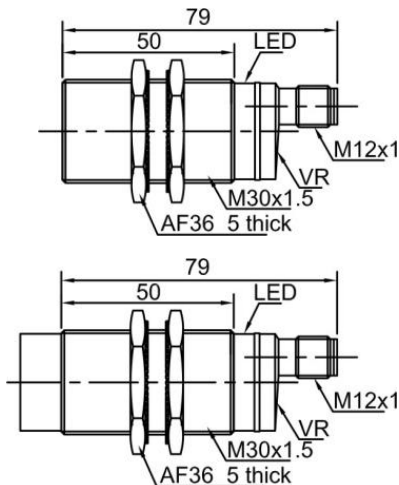
2

AC2 wires NO	CR30CF10ATO-E2	CR30CN15ATO-E2	AC2 wires NC	CR30CF10ATC-E2	CR30CN15ATC-E2
--------------	----------------	----------------	--------------	----------------	----------------

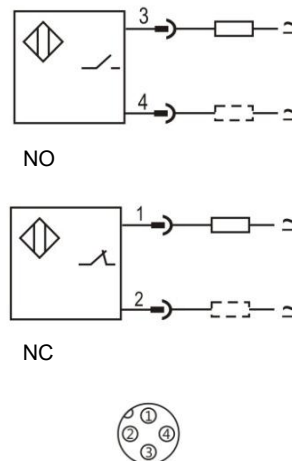
Technical specifications

Mounting	Flush	Non-flush	Leakage current [I _r]	≤3mA
Rated distance [S _n]	10mm (adjustable)	15mm(adjustable)	Circuit protection
Assured distance [S _a]	0...8mm	0...12mm	Output indicator	Yellow LED
Dimensions	M30*79mm	M30*91 mm	Ambient temperature	-25°C...70°C
Output	NO/NC(depends on part number)		Ambient humidity	35-95%RH
Supply voltage	20...250 VAC		Switching frequency [F]	15 Hz
Standard target	Fe 30*30*1t	Fe 45*45*1t	Voltage withstand	2000V/AC 50/60Hz 60S
Switch-point drifts [%/Sr]	≤±20%		Insulation resistance	≥50MΩ (500VDC)
Hysteresis range [%/Sr]	3...20%		Vibration resistance	10...50Hz (1.5mm)
Repeat accuracy [R]	≤3%		Degree of protection	IP67
Load current	≤300mA		Housing material	Nick-copper alloy
Residual voltage	≤10V		Connection type	M12 connector

Dimensions



Wiring diagram



Plastic cylindrical shape capacitive sensors **CR18S** series



Features

- ◆ Be able to detect both metal and nonmetal objects;
- ◆ Be able to detect various media via nonmetallic container;
- ◆ Reliable liquid level detecting;



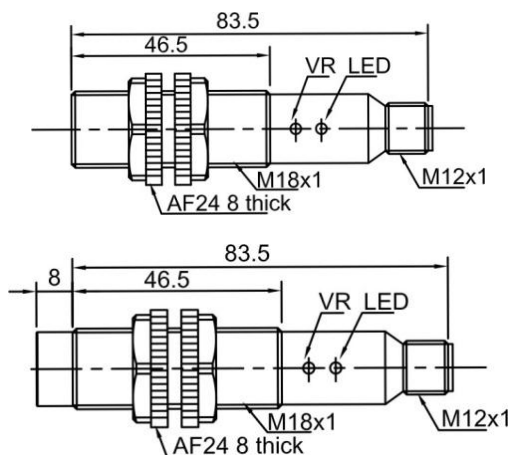
Part number

NPN NO	CR18SCF05DNO-E2	CR18SCN08DNO-E2	PNP NO	CR18SCF05DPO-E2	CR18SCN08DPO-E2
NPN NC	CR18SCF05DNC-E2	CR18SCN08DNC-E2	PNP NC	CR18SCF05DPC-E2	CR18SCN08DPC-E2
NPN NO+NC	CR18SCF05DNR-E2	CR18SCN08DNR-E2	PNP NO+NC	CR18SCF05DPR-E2	CR18SCN08DPR-E2

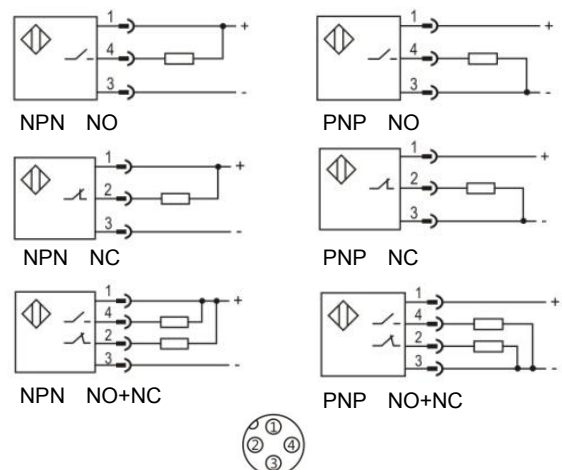
Technical specifications

Mounting	Flush	Non-flush	Consumption current	≤15mA
Rated distance [Sn]	5mm (adjustable)	8mm (adjustable)	Circuit protection	Short-circuit, overload and reverse polarity
Assured distance [Sa]	0...4mm	0...6.4mm	Output indicator	Yellow LED
Dimensions	M18*83.5mm	M18*91.5 mm	Ambient temperature	-25°C...70°C
Output	NO/NC(depends on part number)		Ambient humidity	35-95%RH
Supply voltage	10...30 VDC		Switching frequency [F]	50 Hz
Standard target	Fe18*18*1t	Fe 24*24*1t	Voltage withstand	1000V/AC 50/60Hz 60S
Switch-point drifts [%/Sr]	≤±20%		Insulation resistance	≥50MΩ (500VDC)
Hysteresis range [%/Sr]	3...20%		Vibration resistance	10...50Hz (1.5mm)
Repeat accuracy [R]	≤3%		Degree of protection	IP67
Load current	≤200mA		Housing material	PBT
Residual voltage	≤2.5V		Connection type	M12 connector

Dimensions



Wiring diagram



Plastic cylindrical shape capacitive sensors **CR18S** series



Features

- ◆ Be able to detect both metal and nonmetal objects;
- ◆ Be able to detect various media via nonmetallic container;
- ◆ Reliable liquid level detecting;



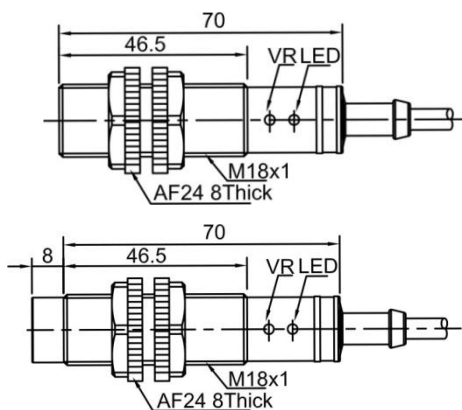
Part number

NPN NO	CR18SCF05DNO	CR18SCN08DNO	PNP NO	CR18SCF05DPO	CR18SCN08DPO
NPN NC	CR18SCF05DNC	CR18SCN08DNC	PNP NC	CR18SCF05DPC	CR18SCN08DPC
NPN NO+NC	CR18SCF05DNR	CR18SCN08DNR	PNP NO+NC	CR18SCF05DPR	CR18SCN08DPR

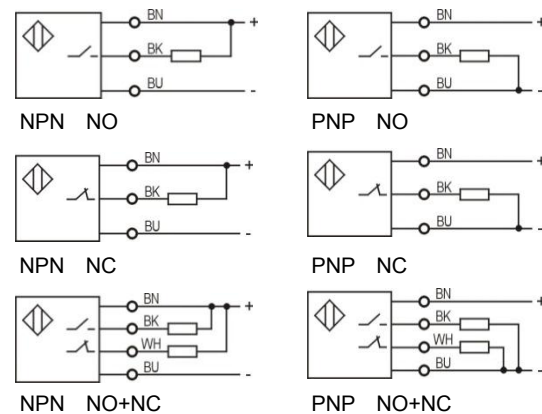
Technical specifications

Mounting	Flush	Non-flush	Consumption current	≤15mA
Rated distance [Sn]	5mm (adjustable)	8mm (adjustable)	Circuit protection	Short-circuit, overload and reverse polarity
Assured distance [Sa]	0...4mm	0...6.4mm	Output indicator	Yellow LED
Dimensions	M18*70mm	M18*78 mm	Ambient temperature	-25°C...70°C
Output	NO/NC(depends on part number)		Ambient humidity	35-95%RH
Supply voltage	10...30 VDC		Switching frequency [F]	50 Hz
Standard target	Fe18*18*1t	Fe 24*24*1t	Voltage withstand	1000V/AC 50/60Hz 60S
Switch-point drifts [%/Sr]	≤±20%		Insulation resistance	≥50MΩ (500VDC)
Hysteresis range [%/Sr]	3...20%		Vibration resistance	10...50Hz (1.5mm)
Repeat accuracy [R]	≤3%		Degree of protection	IP67
Load current	≤200mA		Housing material	PBT
Residual voltage	≤2.5V		Connection type	2m PVC cable

Dimensions



Wiring diagram



Plastic cylindrical shape capacitive sensors **CR18S** series



Features

- ◆ Be able to detect both metal and nonmetal objects;
- ◆ Be able to detect various media via nonmetallic container;
- ◆ Reliable liquid level detecting;



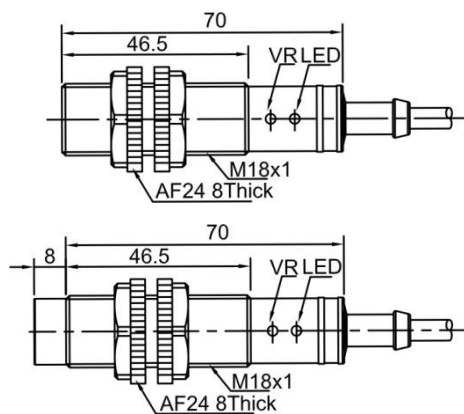
Part number

AC2 wires NO	CR18SCF05ATO	CR18SCN08ATO	AC2 wires NC	CR18SCF05ATC	CR18SCN08ATC
--------------	--------------	--------------	--------------	--------------	--------------

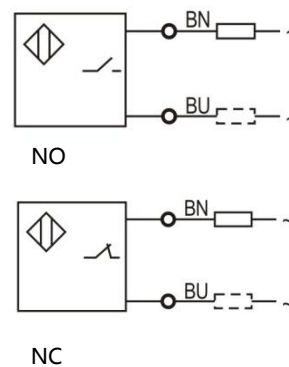
Technical specifications

Mounting	Flush	Non-flush	Leakage current [Ir]	≤3mA
Rated distance [Sn]	5mm (adjustable)	8mm(adjustable)	Circuit protection
Assured distance [Sa]	0...4mm	0...6.4mm	Output indicator	Yellow LED
Dimensions	M18*70mm	M18*78 mm	Ambient temperature	-25°C...70°C
Output	NO/NC(depends on part number)		Ambient humidity	35-95%RH
Supply voltage	20...250 VAC		Switching frequency [F]	15 Hz
Standard target	Fe 18*18*1t	Fe24*24*1t	Voltage withstand	2000V/AC 50/60Hz 60S
Switch-point drifts [%/Sr]	≤±20%		Insulation resistance	≥50MΩ (500VDC)
Hysteresis range [%/Sr]	3...20%		Vibration resistance	10...50Hz (1.5mm)
Repeat accuracy [R]	≤3%		Degree of protection	IP67
Load current	≤300mA		Housing material	PBT
Residual voltage	≤10V		Connection type	2m PVC cable

Dimensions



Wiring diagram



Plastic cylindrical shape capacitive sensors **CR18S** series



Features

- ◆ Be able to detect both metal and nonmetal objects;
- ◆ Be able to detect various media via nonmetallic container;
- ◆ Reliable liquid level detecting;



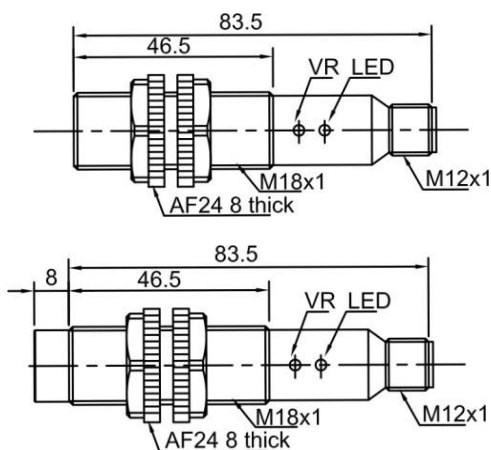
Part number

AC2 wires NO	CR18SCF05ATO-E2	CR18SCN08ATO-E2	AC2 wires NC	CR18SCF05ATC-E2	CR18SCN08ATC-E2
--------------	-----------------	-----------------	--------------	-----------------	-----------------

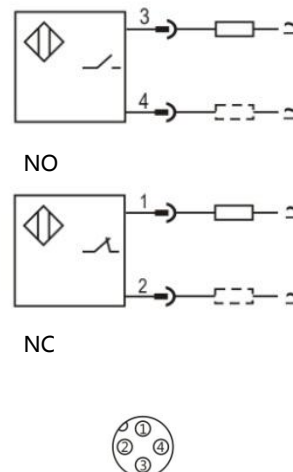
Technical specifications

Mounting	Flush	Non-flush	Leakage current [Ir]	≤3mA
Rated distance [Sn]	5mm (adjustable)	8mm(adjustable)	Circuit protection
Assured distance [Sa]	0...4mm	0...6.4mm	Output indicator	Yellow LED
Dimensions	M18*83.5mm	M18*91.5 mm	Ambient temperature	-25°C...70°C
Output	NO/NC(depends on part number)		Ambient humidity	35-95%RH
Supply voltage	20...250 VAC		Switching frequency [F]	15 Hz
Standard target	Fe 18*18*1t	Fe24*24*1t	Voltage withstand	2000V/AC 50/60Hz 60S
Switch-point drifts [%/Sr]	≤±20%		Insulation resistance	≥50MΩ (500VDC)
Hysteresis range [%/Sr]	3...20%		Vibration resistance	10...50Hz (1.5mm)
Repeat accuracy [R]	≤3%		Degree of protection	IP67
Load current	≤300mA		Housing material	PBT
Residual voltage	≤10V		Connection type	M12 connector

Dimensions



Wiring diagram



Metal cylindrical shape capacitive sensors **CR18** series



Features

- ◆ Be able to detect both metal and nonmetal objects;
- ◆ Be able to detect various media via nonmetallic container;
- ◆ Reliable liquid level detecting;



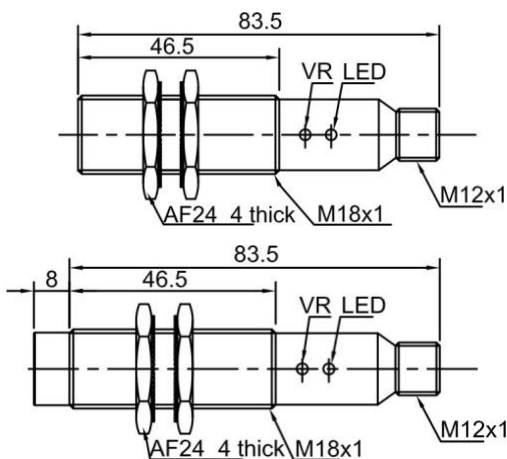
Part number

NPN NO	CR18CF05DNO-E2	CR18CN08DNO-E2	PNP NO	CR18CF05DPO-E2	CR18CN08DPO-E2
NPN NC	CR18CF05DNC-E2	CR18CN08DNC-E2	PNP NC	CR18CF05DPC-E2	CR18CN08DPC-E2
NPN NO+NC	CR18CF05DNR-E2	CR18CN08DNR-E2	PNP NO+NC	CR18CF05DPR-E2	CR18CN08DPR-E2

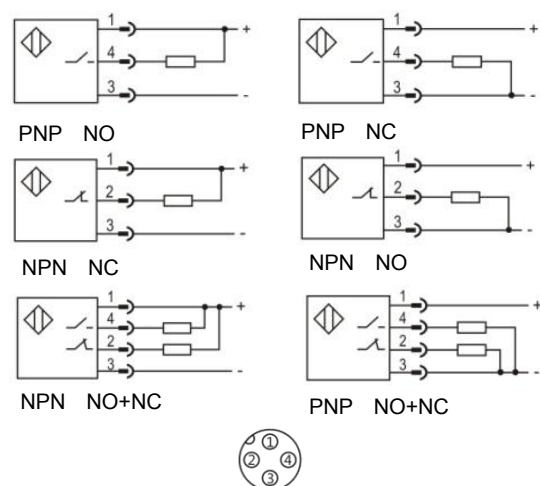
Technical specifications

Mounting	Flush	Non-flush	Consumption current	≤15mA
Rated distance [Sn]	5mm (adjustable)	8mm (adjustable)	Circuit protection	Short-circuit, overload and reverse polarity
Assured distance [Sa]	0...4mm	0...6.4mm	Output indicator	Yellow LED
Dimensions	M18*83.5mm	M18*91.5 mm	Ambient temperature	-25°C...70°C
Output	NO/NC(depends on part number)		Ambient humidity	35-95%RH
Supply voltage	10...30 VDC		Switching frequency [F]	50 Hz
Standard target	Fe18*18*1t	Fe 24*24*1t	Voltage withstand	1000V/AC 50/60Hz 60S
Switch-point drifts [%/Sr]	≤±20%		Insulation resistance	≥50MΩ (500VDC)
Hysteresis range [%/Sr]	3...20%		Vibration resistance	10...50Hz (1.5mm)
Repeat accuracy [R]	≤3%		Degree of protection	IP67
Load current	≤200mA		Housing material	Nick-copper alloy
Residual voltage	≤2.5V		Connection type	M12 connector

Dimensions



Wiring diagram



Metal cylindrical shape capacitive sensors **CR18** series



Features

- ◆ Be able to detect both metal and nonmetal objects;
- ◆ Be able to detect various media via nonmetallic container;
- ◆ Reliable liquid level detecting;



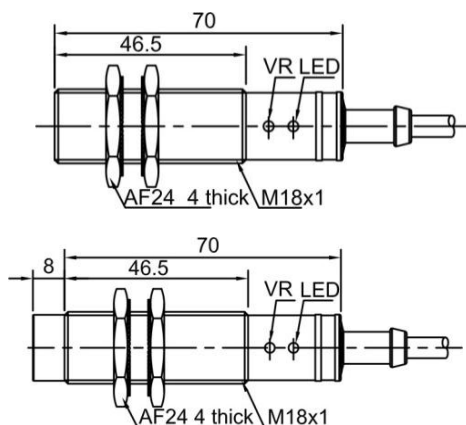
Part number

NPN NO	CR18CF05DNO	CR18CN08DNO	PNP NO	CR18CF05DPO	CR18CN08DPO
NPN NC	CR18CF05DNC	CR18CN08DNC	PNP NC	CR18CF05DPC	CR18CN08DPC
NPN NO+NC	CR18CF05DNR	CR18CN08DNR	PNP NO+NC	CR18CF05DPR	CR18CN08DPR

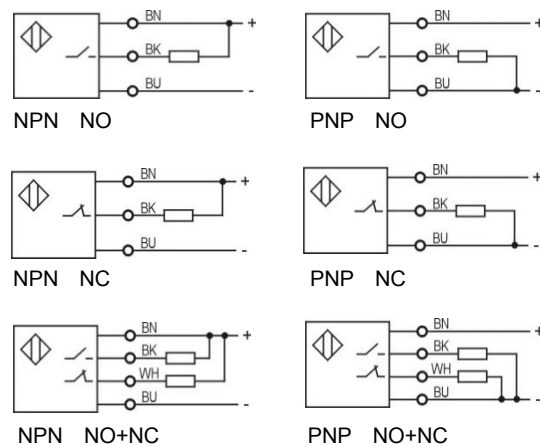
Technical specifications

Mounting	Flush	Non-flush	Consumption current	≤15mA
Rated distance [Sn]	5mm (adjustable)	8mm (adjustable)	Circuit protection	Short-circuit, overload and reverse polarity
Assured distance [Sa]	0...4mm	0...6.4mm	Output indicator	Yellow LED
Dimensions	M18*70mm	M18*78 mm	Ambient temperature	-25°C...70°C
Output	NO/NC(depends on part number)		Ambient humidity	35-95%RH
Supply voltage	10...30 VDC		Switching frequency [F]	50 Hz
Standard target	Fe18*18*1t	Fe 24*24*1t	Voltage withstand	1000V/AC 50/60Hz 60S
Switch-point drifts [%/Sr]	≤±20%		Insulation resistance	≥50MΩ (500VDC)
Hysteresis range [%/Sr]	3...20%		Vibration resistance	10...50Hz (1.5mm)
Repeat accuracy [R]	≤3%		Degree of protection	IP67
Load current	≤200mA		Housing material	Nick-copper alloy
Residual voltage	≤2.5V		Connection type	2m PVC cable

Dimensions



Wiring diagram



Metal cylindrical shape capacitive sensors **CR18** series



Features

- ◆ Be able to detect both metal and nonmetal objects;
- ◆ Be able to detect various media via nonmetallic container;
- ◆ Reliable liquid level detecting;



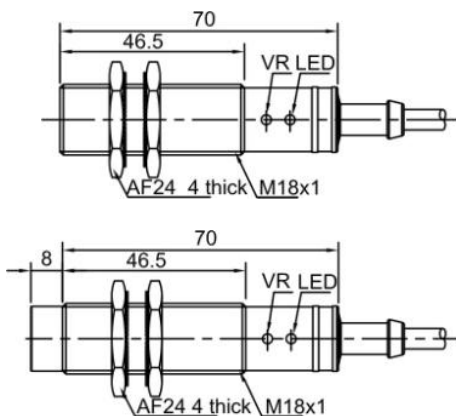
Part number

AC2 wires NO	CR18CF05ATO	CR18CN08ATO	AC2 wires NC	CR18CF05ATC	CR18CN08ATC
--------------	-------------	-------------	--------------	-------------	-------------

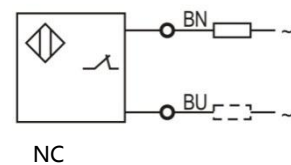
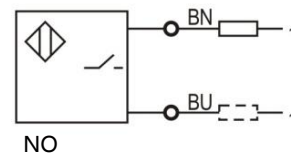
Technical specifications

Mounting	Flush	Non-flush	Leakage current [Ir]	≤3mA
Rated distance [Sn]	5mm (adjustable)	8mm(adjustable)	Circuit protection
Assured distance [Sa]	0...4mm	0...6.4mm	Output indicator	Yellow LED
Dimensions	M18*70mm	M18*78 mm	Ambient temperature	-25°C...70°C
Output	NO/NC(depends on part number)		Ambient humidity	35-95%RH
Supply voltage	20...250 VAC		Switching frequency [F]	15 Hz
Standard target	Fe 18*18*1t	Fe24*24*1t	Voltage withstand	2000V/AC 50/60Hz 60S
Switch-point drifts [%/Sr]	≤±20%		Insulation resistance	≥50MΩ (500VDC)
Hysteresis range [%/Sr]	3...20%		Vibration resistance	10...50Hz (1.5mm)
Repeat accuracy [R]	≤3%		Degree of protection	IP67
Load current	≤300mA		Housing material	Nick-copper alloy
Residual voltage	≤10V		Connection type	2m PVC cable

Dimensions



Wiring diagram



Metal cylindrical shape capacitive sensors **CR18** series



Features

- ◆ Be able to detect both metal and nonmetal objects;
- ◆ Be able to detect various media via nonmetallic container;
- ◆ Reliable liquid level detecting;



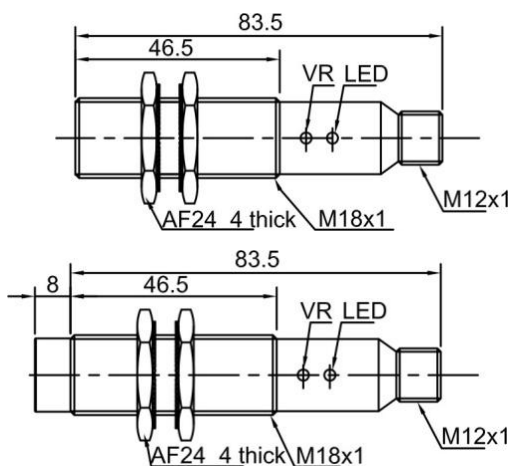
Part number

AC2 wires NO	CR18CF05ATO-E2	CR18CN08ATO-E2	AC2 wires NC	CR18CF05ATC-E2	CR18CN08ATC-E2
--------------	----------------	----------------	--------------	----------------	----------------

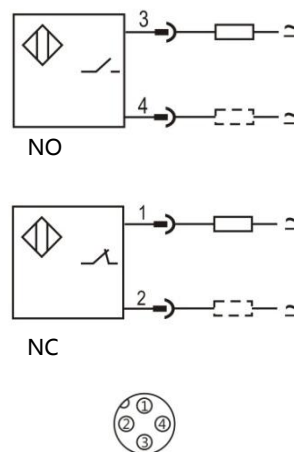
Technical specifications

Mounting	Flush	Non-flush	Leakage current [Ir]	≤3mA
Rated distance [Sn]	5mm (adjustable)	8mm(adjustable)	Circuit protection
Assured distance [Sa]	0...4mm	0...6.4mm	Output indicator	Yellow LED
Dimensions	M18*83.5mm	M18*91.5 mm	Ambient temperature	-25°C...70°C
Output	NO/NC(depends on part number)		Ambient humidity	35-95%RH
Supply voltage	20...250 VAC		Switching frequency [F]	15 Hz
Standard target	Fe 18*18*1t	Fe24*24*1t	Voltage withstand	2000V/AC 50/60Hz 60S
Switch-point drifts [%/Sr]	≤±20%		Insulation resistance	≥50MΩ (500VDC)
Hysteresis range [%/Sr]	3...20%		Vibration resistance	10...50Hz (1.5mm)
Repeat accuracy [R]	≤3%		Degree of protection	IP67
Load current	≤300mA		Housing material	Nick-copper alloy
Residual voltage	≤10V		Connection type	M12 connector

Dimensions



Wiring diagram



Plastic cylindrical shape capacitive sensors **CR12S** series



Features

- ◆ Be able to detect both metal and nonmetal objects;
- ◆ Be able to detect various media via nonmetallic container;
- ◆ Reliable liquid level detecting;



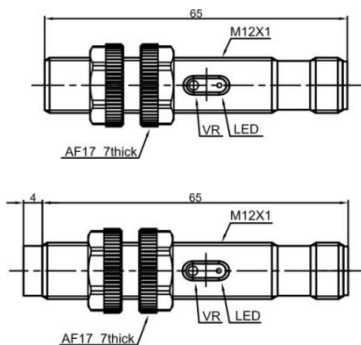
Part number

NPN NO	CR12SCF02DNO-E2	CR12SCN04DNO-E2	PNP NO	CR12SCF02DPO-E2	CR12SCN04DPO-E2
NPN NC	CR12SCF02DNC-E2	CR12SCN04DNC-E2	PNP NC	CR12SCF02DPC-E2	CR12SCN04DPC-E2

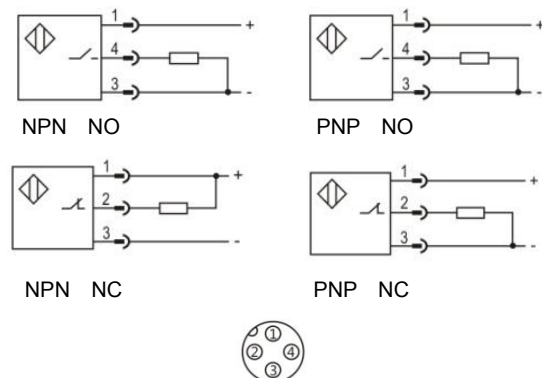
Technical specifications

Mounting	Flush	Non-flush	Consumption current	≤15mA
Rated distance [Sn]	2mm (adjustable)	4mm (adjustable)	Circuit protection	Short-circuit, overload and reverse polarity
Assured distance [Sa]	0...1.6mm	0...3.2mm	Output indicator	Yellow LED
Dimensions	M12*65mm	M12*69 mm	Ambient temperature	-25°C...70°C
Output	NO/NC(depends on part number)		Ambient humidity	35-95%RH
Supply voltage	10...30 VDC		Switching frequency [F]	50 Hz
Standard target	Fe12*12*1t	Fe 12*12*1t	Voltage withstand	1000V/AC 50/60Hz 60S
Switch-point drifts [%/Sr]	≤±20%		Insulation resistance	≥50MΩ (500VDC)
Hysteresis range [%/Sr]	3...20%		Vibration resistance	10...50Hz (1.5mm)
Repeat accuracy [R]	≤3%		Degree of protection	IP67
Load current	≤200mA		Housing material	PBT
Residual voltage	≤2.5V		Connection type	M12 connector

Dimensions



Wiring diagram



Plastic cylindrical shape capacitive sensors **CR12S** series



Features

- ◆ Be able to detect both metal and nonmetal objects;
- ◆ Be able to detect various media via nonmetallic container;
- ◆ Reliable liquid level detecting;



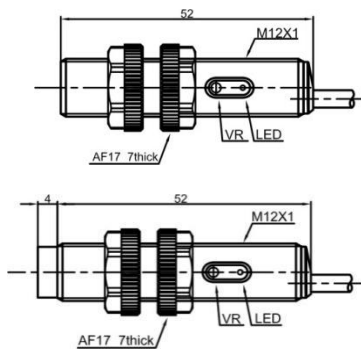
Part number

NPN NO	CR12SCF02DNO	CR12SCN04DNO	PNP NO	CRS12CF02DPO	CR12SCN04DPO
NPN NC	CR12SCF02DNC	CR12SCN04DNC	PNP NC	CR12SCF02DPC	CR12SCN04DPC

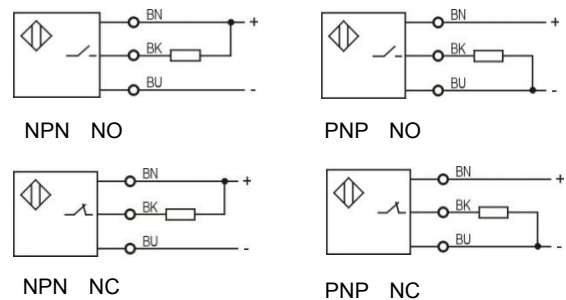
Technical specifications

Mounting	Flush	Non-flush	Consumption current	≤15mA
Rated distance [Sn]	2mm (adjustable)	4mm (adjustable)	Circuit protection	Short-circuit, overload and reverse polarity
Assured distance [Sa]	0...1.6mm	0...3.2mm	Output indicator	Yellow LED
Dimensions	M12*52mm	M12*56 mm	Ambient temperature	-25°C...70°C
Output	NO/NC(depends on part number)		Ambient humidity	35-95%RH
Supply voltage	10...30 VDC		Switching frequency [F]	50 Hz
Standard target	Fe12*12*1t	Fe 12*12*1t	Voltage withstand	1000V/AC 50/60Hz 60S
Switch-point drifts [%/Sr]	≤±20%		Insulation resistance	≥50MΩ (500VDC)
Hysteresis range [%/Sr]	3...20%		Vibration resistance	10...50Hz (1.5mm)
Repeat accuracy [R]	≤3%		Degree of protection	IP67
Load current	≤200mA		Housing material	PBT
Residual voltage	≤2.5V		Connection type	2m PVC cable

Dimensions



Wiring diagram



Metal cylindrical shape capacitive sensors **CR12** series



Features

- ◆ Be able to detect both metal and nonmetal objects;
- ◆ Be able to detect various media via nonmetallic container;
- ◆ Reliable liquid level detecting;



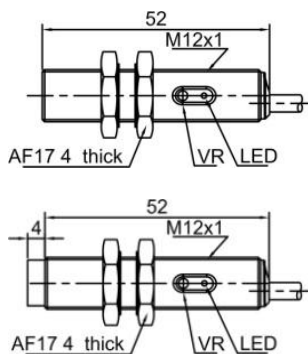
Part number

NPN NO	CR12CF02DNO	CR12CN04DNO	PNP NO	CR12CF02DPO	CR12CN04DPO
NPN NC	CR12CF02DNC	CR12CN04DNC	PNP NC	CR12CF02DPC	CR12CN04DPC

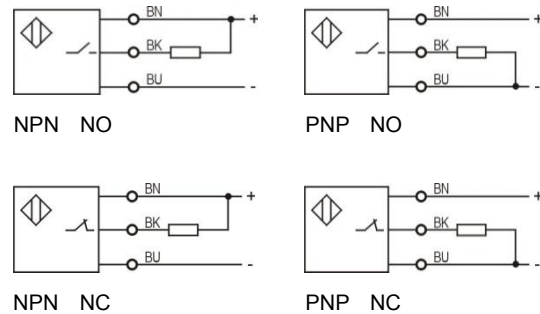
Technical specifications

Mounting	Flush	Non-flush	Consumption current	≤15mA
Rated distance [Sn]	2mm (adjustable) 4mm (adjustable)		Circuit protection	Short-circuit, overload and reverse polarity
Assured distance [Sa]	0...1.6mm	0...3.2mm	Output indicator	Yellow LED
Dimensions	M12*52mm	M12*56 mm	Ambient temperature	-25°C...70°C
Output	NO/NC(depends on part number)		Ambient humidity	35-95%RH
Supply voltage	10...30 VDC		Switching frequency [F]	50 Hz
Standard target	Fe12*12*1t	Fe 12*12*1t	Voltage withstand	1000V/AC 50/60Hz 60S
Switch-point drifts [%/Sr]	≤±20%		Insulation resistance	≥50MΩ (500VDC)
Hysteresis range [%/Sr]	3...20%		Vibration resistance	10...50Hz (1.5mm)
Repeat accuracy [R]	≤3%		Degree of protection	IP67
Load current	≤200mA		Housing material	Nick-copper alloy
Residual voltage	≤2.5V		Connection type	2m PVC cable

Dimensions



Wiring diagram



Metal cylindrical shape capacitive sensors **CR12** series



Features

- ◆ Be able to detect both metal and nonmetal objects;
- ◆ Be able to detect various media via nonmetallic container;
- ◆ Reliable liquid level detecting;



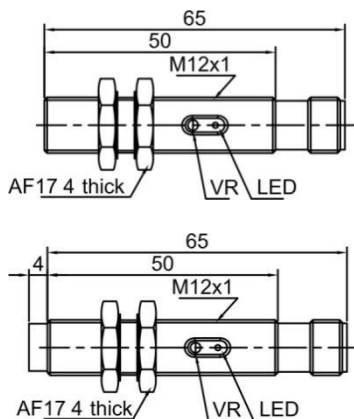
Part number

NPN NO	CR12CF02DNO-E2	CR12CN04DNO-E2	PNP NO	CR12CF02DPO-E2	CR12CN04DPO-E2
NPN NC	CR12CF02DNC-E2	CR12CN04DNC-E2	PNP NC	CR12CF02DPC-E2	CR12CN04DPC-E2

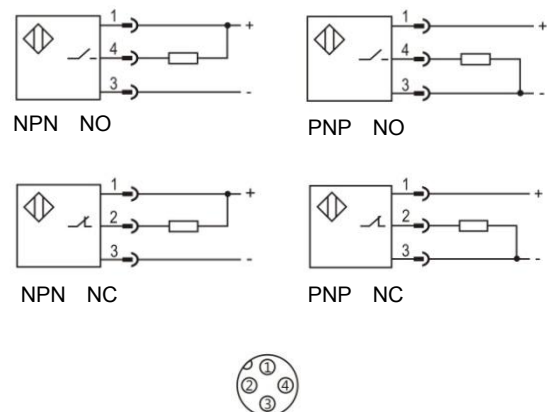
Technical specifications

Mounting	Flush	Non-flush	Consumption current	≤15mA
Rated distance [Sn]	2mm (adjustable)	4mm (adjustable)	Circuit protection	Short-circuit, overload and reverse polarity
Assured distance [Sa]	0...1.6mm	0...3.2mm	Output indicator	Yellow LED
Dimensions	M12*65mm	M12*69 mm	Ambient temperature	-25°C...70°C
Output	NO/NC(depends on part number)		Ambient humidity	35-95%RH
Supply voltage	10...30 VDC		Switching frequency [F]	50 Hz
Standard target	Fe12*12*1t	Fe 12*12*1t	Voltage withstand	1000V/AC 50/60Hz 60S
Switch-point drifts [%/Sr]	≤±20%		Insulation resistance	≥50MΩ (500VDC)
Hysteresis range [%/Sr]	3...20%		Vibration resistance	10...50Hz (1.5mm)
Repeat accuracy [R]	≤3%		Degree of protection	IP67
Load current	≤200mA		Housing material	Nick-copper alloy
Residual voltage	≤2.5V		Connection type	M12 connector

Dimensions



Wiring diagram



CR12X series cylindrical capacitive sensor



Feature description

- One-piece housing with high-brightness LED indicator
- IP67 protection class which is effectively moisture-proof and dust-proof
- Enhance detection distance. Sensitivity adjustment adopts multi-turn potentiometer so as to reach higher adjustment accuracy
- High reliability, excellent EMC design with protection against short circuit, overloaded and reverse polarity
- Widely used in both metal and non-metal (plastic, powder, liquid, etc.) material testing



Model specification

NPN NO	CR12XCF04DNOG	PNP NO	CR12XCF04DPOG
NPN NC	CR12XCF04DNCG	PNP NC	CR12XCF04DPCG

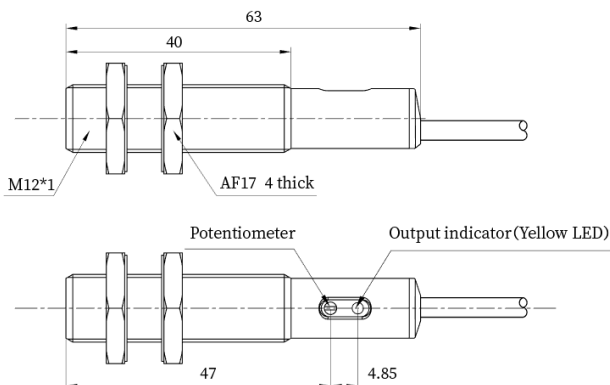
Specifications

Installation type	Flush	Indicator	Output indication:Yellow LED
Rated distance S _n	4mm ^①	Switching frequency	100Hz
Ensure distance S _a	≤2.88mm	Ambient temperature	When working:-25...70°C(No icing, No condensation)
Adjust the distance	1.5...6 mm		When storing:-30...80°C(No icing, No condensation)
Adjustment method	Single-turn potentiometer	Environment humidity	35...95%RH(No icing, No condensation)
Standard test object	Fe 12*12*1t(Grounded) ^②	Vibration resistant	10...55Hz,Dual amplitude 1mm(2 hours each in X, Y, and Z directions)
Supply voltage	10...30VDC	Impulse withsand	30g/11ms,3 times each for X,Y,Z direction
Load current	≤200mA	High pressure resistant	1000V/AC 50/60Hz 60s
Residual voltage	≤2V	Insulation resistance	≥50MΩ(500VDC)
Consumption current	≤20mA	Shape specification	M12*1*63mm
Switch point offset [%/S _n]	±10%	Protection degree	IP67
Temperature drift [%/Sr]	±20%	Housing material	Nickel copper alloy
Hysteresis range [%/Sr]	3...20%	Connection type	2m PVC Cable
Repetitive error [R]	≤5%	Accessories	M12 nuts×2, Slotted screwdriver, Operation manual
Circuit protection	Short circuit protection, Overload protection, Reverse polarity protection		

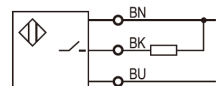
Note: ①the factory default sensing distance is S_n±10%

②unit:mm

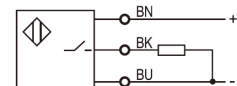
Dimensions



Wiring diagram



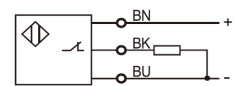
NPN NO



PNP NO



NPN NC



PNP NC

CR18X series cylindrical capacitive sensor



Feature description

- Integrated housing matches double highlighted LED indicator
- IP67 protection class which is effectively moisture-proof and dust-proof
- The maximum operating voltage can be 40VDS which can effectively prevent the influence from power ripple
- Enhance detection distance. Sensitivity adjustment adopts multi-turn potentiometer so as to reach higher adjustment accuracy
- High reliability, excellent EMC design with protection against short circuit, overloaded and reverse polarity
- Widely used in both metal and non-metal (plastic, powder, liquid, etc.) material testing



Model specification

NPN NO	CR18XCF08DNOG	PNP NO	CR18XCF08DPOG
--------	---------------	--------	---------------

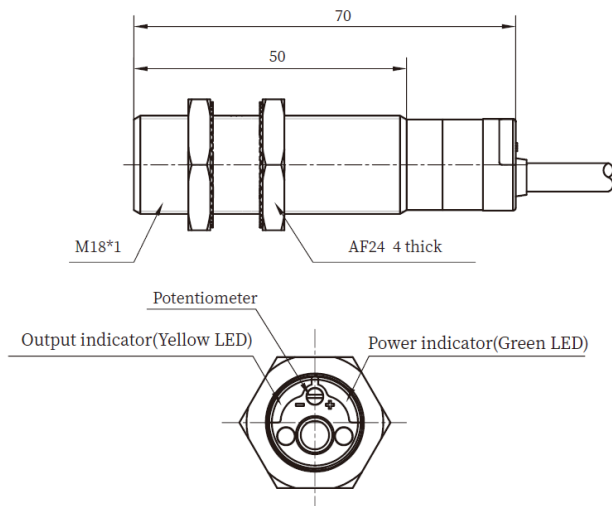
Specifications

Installation type	Flush	Circuit protection	Short circuit protection, Overload protection,
Rated distance Sn	8mm ^①		Reverse polarity protection
Ensure distance Sa	≤5.76mm	Indicator	Output indication:Yellow LED;Power indicator:Green LED
Adjust the distance	3...12mm		Overload or short circuit indication:Yellow LED flashes
Adjustment method	Multi-turn potentiometer (Electrical adjustment > 10)	Switching frequency	100Hz
Shape specification	M18*70mm	Ambient temperature	When working:-25...70°C(No icing, No condensation)
Standard test object	Fe360 24*24*1t(Grounded) ^②		When storing:-30...80°C(No icing, No condensation)
Supply voltage	10...30VDC	Environment humidity	35...95%RH(No icing, No condensation)
Load current	≤200mA	Vibration resistant	10...55Hz,Dual amplitude 1mm(2 hours each in X, Y, and Z directions)
Residual voltage	≤2V	Impulse withsand	30g/11ms,3 times each for X,Y,Z direction
Consumption current	≤20mA	High pressure resistant	1000V/AC 50/60Hz 60s
Switch point offset [%/Sn]	±10%	Protection degree	IP67
Temperature drift [%/Sr]	±20%	Housing material	Nickel copper alloy
Hysteresis range [%/Sr]	3...20%	Connection type	2m PVC Cable
Repetitive error [R]	≤6%	Accessories	M18 nuts×2, Slotted screwdriver, Operation manual

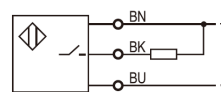
Note: ①the factory default sensing distance is Sn±10%

②unit:mm

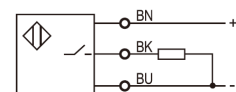
Dimensions



Wiring diagram



NPN NO



PNP NO

По вопросам продаж и поддержки обращайтесь:

Алматы (727)345-47-04
Ангарск (3955)60-70-56
Архангельск (8182)63-90-72
Астрахань (8512)99-46-04
Барнаул (3852)73-04-60
Белгород (4722)40-23-64
Благовещенск (4162)22-76-07
Брянск (4832)59-03-52
Владивосток (423)249-28-31
Владикавказ (8672)28-90-48
Владимир (4922)49-43-18
Волгоград (844)278-03-48
Вологда (8172)26-41-59
Воронеж (473)204-51-73
Екатеринбург (343)384-55-89

Иваново (4932)77-34-06
Ижевск (3412)26-03-58
Иркутск (395)279-98-46
Казань (843)206-01-48
Калининград (4012)72-03-81
Калуга (4842)92-23-67
Кемерово (3842)65-04-62
Киров (8332)68-02-04
Коломна (4966)23-41-49
Кострома (4942)77-07-48
Краснодар (861)203-40-90
Красноярск (391)204-63-61
Курск (4712)77-13-04
Курган (3522)50-90-47
Липецк (4742)52-20-81

Магнитогорск (3519)55-03-13
Москва (495)268-04-70
Мурманск (8152)59-64-93
Набережные Челны (8552)20-53-41
Новокузнецк (3843)20-46-81
Ноябрьск (3496)41-32-12
Новосибирск (383)227-86-73
Омск (3812)21-46-40
Орел (4862)44-53-42
Оренбург (3532)37-68-04
Пенза (8412)22-31-16
Петрозаводск (8142)55-98-37
Псков (8112)59-10-37
Пермь (342)205-81-47

Ростов-на-Дону (863)308-18-15
Рязань (4912)46-61-64
Самара (846)206-03-16
Санкт-Петербург (812)309-46-40
Саратов (845)249-38-78
Севастополь (8692)22-31-93
Саранск (8342)22-96-24
Симферополь (3652)67-13-56
Смоленск (4812)29-41-54
Сочи (862)225-72-31
Ставрополь (8652)20-65-13
Сургут (3462)77-98-35
Сыктывкар (8212)25-95-17
Тамбов (4752)50-40-97
Тверь (4822)63-31-35

Тольятти (8482)63-91-07
Томск (3822)98-41-53
Тула (4872)33-79-87
Тюмень (3452)66-21-18
Ульяновск (8422)24-23-59
Улан-Удэ (3012)59-97-51
Уфа (347)229-48-12
Хабаровск (4212)92-98-04
Чебоксары (8352)28-53-07
Челябинск (351)202-03-61
Череповец (8202)49-02-64
Чита (3022)38-34-83
Якутск (4112)23-90-97
Ярославль (4852)69-52-93

Россия +7(495)268-04-70

Казахстан +(727)345-47-04

Беларусь +(375)257-127-884

Узбекистан +998(71)205-18-59

Киргизия +996(312)96-26-47

эл.почта: ahj@nt-rt.ru || сайт: <https://lanbao.nt-rt.ru/>