

Емкостные датчики стандартные CQ

Технические характеристики

По вопросам продаж и поддержки обращайтесь:

Алматы (727)345-47-04
Ангарск (3955)60-70-56
Архангельск (8182)63-90-72
Астрахань (8512)99-46-04
Барнаул (3852)73-04-60
Белгород (4722)40-23-64
Благовещенск (4162)22-76-07
Брянск (4832)59-03-52
Владивосток (423)249-28-31
Владикавказ (8672)28-90-48
Владимир (4922)49-43-18
Волгоград (844)278-03-48
Вологда (8172)26-41-59
Воронеж (473)204-51-73
Екатеринбург (343)384-55-89

Иваново (4932)77-34-06
Ижевск (3412)26-03-58
Иркутск (395)279-98-46
Казань (843)206-01-48
Калининград (4012)72-03-81
Калуга (4842)92-23-67
Кемерово (3842)65-04-62
Киров (8332)68-02-04
Коломна (4966)23-41-49
Кострома (4942)77-07-48
Краснодар (861)203-40-90
Красноярск (391)204-63-61
Курск (4712)77-13-04
Курган (3522)50-90-47
Липецк (4742)52-20-81

Магнитогорск (3519)55-03-13
Москва (495)268-04-70
Мурманск (8152)59-64-93
Набережные Челны (8552)20-53-41
Нижний Новгород (831)429-08-12
Новокузнецк (3843)20-46-81
Ноябрьск (3496)41-32-12
Новосибирск (383)227-86-73
Омск (3812)21-46-40
Орел (4862)44-53-42
Оренбург (3532)37-68-04
Пенза (8412)22-31-16
Петрозаводск (8142)55-98-37
Псков (8112)59-10-37
Пермь (342)205-81-47

Ростов-на-Дону (863)308-18-15
Рязань (4912)46-61-64
Самара (846)206-03-16
Санкт-Петербург (812)309-46-40
Саратов (845)249-38-78
Севастополь (8692)22-31-93
Саранск (8342)22-96-24
Симферополь (3652)67-13-56
Смоленск (4812)29-41-54
Сочи (862)225-72-31
Ставрополь (8652)20-65-13
Сургут (3462)77-98-35
Сыктывкар (8212)25-95-17
Тамбов (4752)50-40-97
Тверь (4822)63-31-35

Тольятти (8482)63-91-07
Томск (3822)98-41-53
Тула (4872)33-79-87
Тюмень (3452)66-21-18
Ульяновск (8422)24-23-59
Улан-Удэ (3012)59-97-51
Уфа (347)229-48-12
Хабаровск (4212)92-98-04
Чебоксары (8352)28-53-07
Челябинск (351)202-03-61
Череповец (8202)49-02-64
Чита (3022)38-34-83
Якутск (4112)23-90-97
Ярославль (4852)69-52-93

Россия +7(495)268-04-70

Казахстан +(727)345-47-04

Беларусь +(375)257-127-884

Узбекистан +998(71)205-18-59

Киргизия +996(312)96-26-47

эл.почта: ahj@nt-rt.ru || сайт: <https://lanbao.nt-rt.ru/>

Plastic cylindrical shape capacitive sensors **CQ34S** series



Features

- ◆ Be able to detect both metal and nonmetal objects;
- ◆ Be able to detect various media via nonmetallic container;
- ◆ Reliable liquid level detecting;



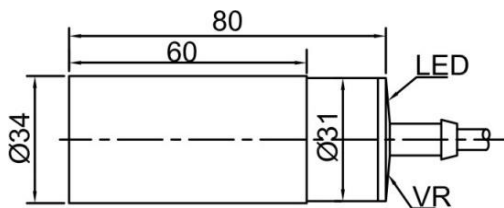
Part number

AC2 wires NO	CQ34SCF15ATO	CQ34SCN20ATO	AC2 wires NC	CQ34SCF15ATC	CQ34SCN20ATC
--------------	--------------	--------------	--------------	--------------	--------------

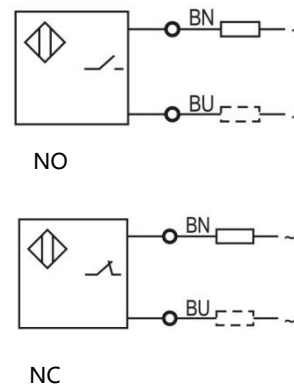
Technical specifications

Mounting	Flush	Non-flush	Leakage current [I _r]	≤3mA
Rated distance [S _n]	15mm (adjustable)	20mm (adjustable)	Circuit protection
Assured distance [S _a]	0...12mm	0...16mm	Output indicator	Yellow LED
Dimensions	Φ34*80mm		Ambient temperature	-25℃...70℃
Output	NO/NC(depends on part number)		Ambient humidity	35-95%RH
Supply voltage	20...250 VAC		Switching frequency [F]	15 Hz
Standard target	Fe45*45*1t	Fe60*60*1t	Voltage withstand	2000V/AC 50/60Hz 60S
Switch-point drifts [%/Sr]	≤±20%		Insulation resistance	≥50MΩ (500VDC)
Hysteresis range [%/Sr]	3...20%		Vibration resistance	10...50Hz (1.5mm)
Repeat accuracy [R]	≤3%		Degree of protection	IP67
Load current	≤300mA		Housing material	PBT
Residual voltage	≤10V		Connection type	2m PVC cable

Dimensions



Wiring diagram



Plastic cylindrical shape capacitive sensors **CQ34S** series



Features

- ◆ Be able to detect both metal and nonmetal objects;
- ◆ Be able to detect various media via nonmetallic container;



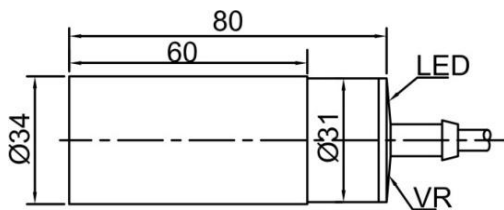
Part number

NPN NO	CQ34SCF15DNO	CQ34SCN20DNO	PNP NO	CQ34SCF15DPO	CQ34SCN20DPO
NPN NC	CQ34SCF15DNC	CQ34SCN20DNC	PNP NC	CQ34SCF15DPC	CQ34SCN20DPC
NPN NO+NC	CQ34SCF15DNR	CQ34SCN20DNR	PNP NO+NC	CQ34SCF15DPR	CQ34SCN20DPR

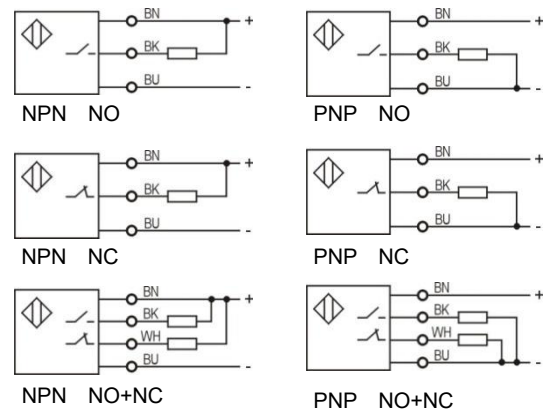
Technical specifications

Mounting	Flush	Non-flush	Consumption current	≤15mA
Rated distance [Sn]	15mm (adjustable) 20mm (adjustable)		Circuit protection	Short-circuit, overload and reverse polarity
Assured distance [Sa]	0...12mm	0...16mm	Output indicator	Yellow LED
Dimensions	Φ34*80mm	Φ34*80 mm	Ambient temperature	-25℃...70℃
Output	NO/NC(depends on part number)		Ambient humidity	35-95%RH
Supply voltage	10...30 VDC		Switching frequency [F]	50 Hz
Standard target	Fe45*45*1t	Fe 60*60*1t	Voltage withstand	1000V/AC 50/60Hz 60S
Switch-point drifts [%/Sr]	±20%		Insulation resistance	≥50MΩ (500VDC)
Hysteresis range [%/Sr]	3...20%		Vibration resistance	10...50Hz (1.5mm)
Repeat accuracy [R]	≤3%		Degree of protection	IP67
Load current	≤200mA		Housing material	PBT
Residual voltage	≤2.5V		Connection type	2m PVC cable

Dimensions



Wiring diagram



Plastic cylindrical shape capacitive sensors **CQ34S** series



Features

- ◆ Be able to detect both metal and nonmetal objects;
- ◆ Be able to detect various media via nonmetallic container;
- ◆ Reliable liquid level detecting;



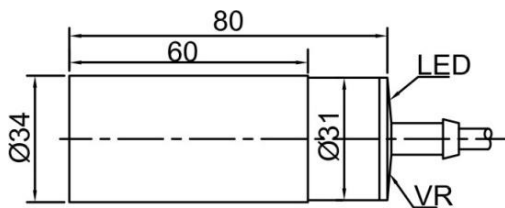
Part number

AC/DC 2 wires NO	CQ34SCN20SBO	AC/DC 2 wires NO	CQ34SCN20SBC
------------------	--------------	------------------	--------------

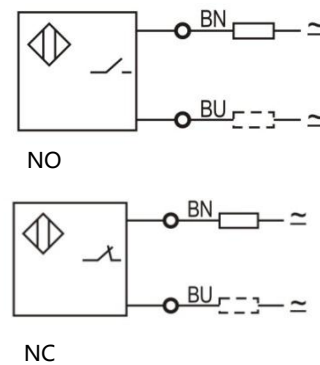
Technical specifications

Mounting	Non-flush	Leakage current [I _r]	AC:≤3mA	DC:≤1mA
Rated distance [S _n]	20mm (adjustable)	Circuit protection	
Assured distance [S _a]	0...16mm	Output indicator	Yellow LED	
Dimensions	Φ34*80 mm	Ambient temperature	-25°C...70°C	
Output	NO/NC (depends on part number)	Ambient humidity	35-95%RH	
Supply voltage	20...250 VAC/DC	Switching frequency [F]	AC: 15 Hz	DC:40Hz
Standard target	Fe 60*60*1t	Voltage withstand	2000V/AC 50/60Hz 60S	
Switch-point drifts [%/Sr]	≤±20%	Insulation resistance	≥50MΩ (500VDC)	
Hysteresis range [%/Sr]	3...20%	Vibration resistance	10...50Hz (1.5mm)	
Repeat accuracy [R]	≤3%	Degree of protection	IP67	
Load current	AC:≤300mA DC:≤100mA	Housing material	PBT	
Residual voltage	AC:≤10V DC:≤8V	Connection type	2m PVC cable	

Dimensions



Wiring diagram



CQ32X Capacitive Sensor



Feature description

- IP67, effective against moisture and dust;
- Longer sensing distance, higher adjustment accuracy by using multi-turn potentiometer;
- Excellent EMC design, high reliability
- Widely used in metal and non-metal (plastic, powder, liquid, etc.) material detection.



Item code

AC 5 wire NO+NC	CQ32XSCF15AK	Delay time	No delay function
AC 5 wire NO+NC	CQ32XSCF15AK -T1	Delay time	On-delay 600s
AC 5 wire NO+NC	CQ32XSCF15AK -T2	Delay time	Off-delay 600s

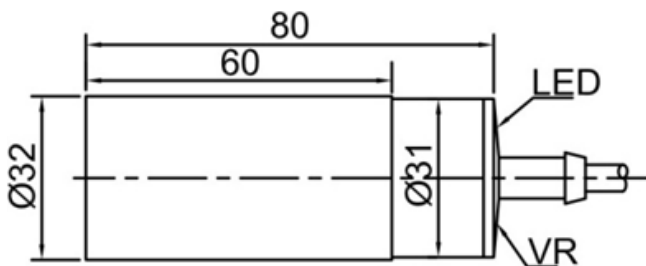
Specifications

Mounting	Quasi-flush	Indicator	Output : Yellow LED
Rated distance Sn	15mm	Ambient temperature	Working : -25...70°C (No icing and condensation)
Assured distance Sa	0-10.8mm		Storage : -30...80°C (No icing and condensation)
Adjustable distance	4...20mm	Ambient humidity	35...95%RH (No icing and condensation)
Adjustment method	Multi-turn potentiometer (Electrical regulation > 10 turns)	Vibration resistant	10...55Hz , double amplitude 1mm (2 hours per X, Y, Z direction)
Standard target	Φ 45*1t St45 (grounded)	Shock resistant	30g/11ms , 3 times per X, Y, Z direction
Supply voltage	20...250V AC	Voltage withstand	1000V/AC 50/60Hz 60s
Load current	≤2A	Insulation resistance	≥50MΩ (500VDC)
Current	20VAC : <25mA 250VAC : 5mA	Shape size	φ32*80mm
Switch point offset [%/Sr]	≤±10%	Protection degree	IP67
Temperature drift [%/Sr]	≤±20%	Housing material	PC/PBT
Hysteresis range [%/Sr]	3...20%	Connection	2m PVC cable
Repeated error [R]	≤5%		

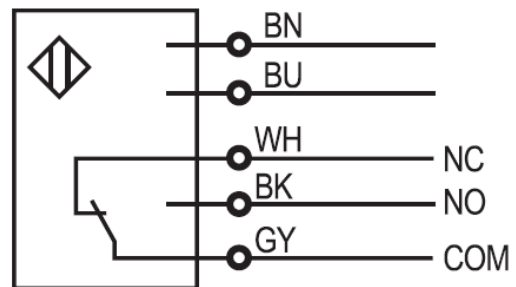
Note : ①The factory default sensing distance is Sn±10%

②Unit: mm

Dimension



Wiring



Plastic cylindrical shape capacitive sensors **CQ32S** series



Features

- ◆ Be able to detect both metal and nonmetal objects;
- ◆ Be able to detect various media via nonmetallic container;
- ◆ Reliable liquid level detecting;



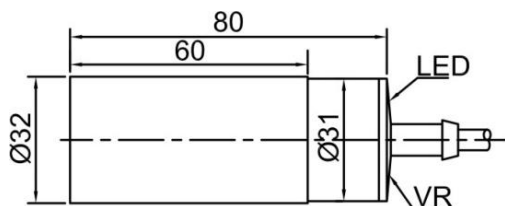
Part number

NPN NO	CQ32SCF15DNO	CQ32SCN20DNO	PNP NO	CQ32SCF15DPO	CQ32SCN20DPO
NPN NC	CQ32SCF15DNC	CQ32SCN20DNC	PNP NC	CQ32SCF15DPC	CQ32SCN20DPC
NPN NO+NC	CQ32SCF15DNR	CQ32SCN20DNR	PNP NO+NC	CQ32SCF15DPR	CQ32SCN20DPR

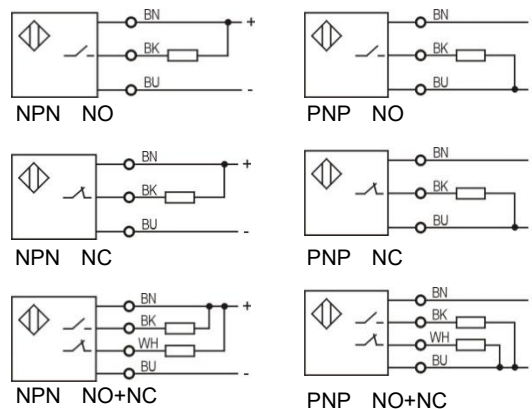
Technical specifications

Mounting	Flush	Non-flush	Consumption current	≤15mA
Rated distance [Sn]	15mm (adjustable) 20mm (adjustable)		Circuit protection	Short-circuit, overload and reverse polarity
Assured distance [Sa]	0...12mm	0...16mm	Output indicator	Yellow LED
Dimensions	Φ20*80mm	Φ20*80mm	Ambient temperature	-25℃...70℃
Output	NO/NC(depends on part number)		Ambient humidity	35-95%RH
Supply voltage	10...30 VDC		Switching frequency [F]	50 Hz
Standard target	Fe 45*45*1t	Fe 60*60*1t	Voltage withstand	1000V/AC 50/60Hz 60S
Switch-point drifts [%/Sr]	≤±20%		Insulation resistance	≥50MΩ (500VDC)
Hysteresis range [%/Sr]	3...20%		Vibration resistance	10...50Hz (1.5mm)
Repeat accuracy [R]	≤3%		Degree of protection	IP67
Load current	≤200mA		Housing material	PBT
Residual voltage	≤2.5V		Connection type	2m PVC cable

Dimensions



Wiring diagram



Plastic cylindrical shape capacitive sensors **CQ32S** series



Features

- ◆ Be able to detect both metal and nonmetal objects;
- ◆ Be able to detect various media via nonmetallic container;
- ◆ Reliable liquid level detecting;



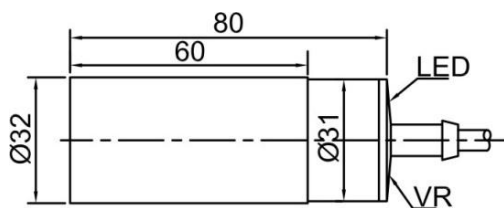
Part number

AC2 wires NO	CQ32SCF15ATO	CQ32SCN20ATO	AC2 wires NC	CQ32SCF15ATC	CQ32SCN20ATC
--------------	--------------	--------------	--------------	--------------	--------------

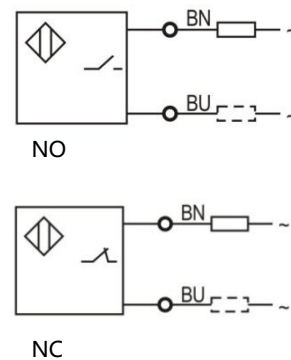
Technical specifications

Mounting	Flush	Non-flush	Leakage current [I _r]	≤3mA
Rated distance [S _n]	15mm (adjustable)	20mm (adjustable)	Circuit protection
Assured distance [S _a]	0...12mm	0...16mm	Output indicator	Yellow LED
Dimensions	Φ32*80mm		Ambient temperature	-25℃...70℃
Output	NO/NC(depends on part number)		Ambient humidity	35-95%RH
Supply voltage	20...250 VAC		Switching frequency [F]	15 Hz
Standard target	Fe45*45*1t	Fe60*60*1t	Voltage withstand	2000V/AC 50/60Hz 60S
Switch-point drifts [%/Sr]	≤±20%		Insulation resistance	≥50MΩ (500VDC)
Hysteresis range [%/Sr]	3...20%		Vibration resistance	10...50Hz (1.5mm)
Repeat accuracy [R]	≤3%		Degree of protection	IP67
Load current	≤300mA		Housing material	PBT
Residual voltage	≤10V		Connection type	2m PVC cable

Dimensions



Wiring diagram



Plastic cylindrical shape capacitive sensors **CQ32S** series



Features

- ◆ Be able to detect both metal and nonmetal objects;
- ◆ Be able to detect various media via nonmetallic container;
- ◆ Reliable liquid level detecting;



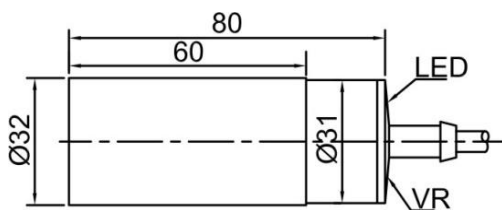
Part number

AC/DC 2 wires NO	CQ32SCN20SBO	AC/DC 2 wires NO	CQ32SCN20SBC
------------------	--------------	------------------	--------------

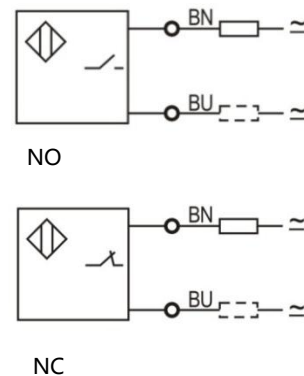
Technical specifications

Mounting	Non-flush	Leakage current [I _r]	AC: ≤3mA	DC: ≤1mA
Rated distance [S _n]	20mm (adjustable)	Circuit protection	
Assured distance [S _a]	0...16mm	Output indicator	Yellow LED	
Dimensions	Φ32*80 mm	Ambient temperature	-25℃...70℃	
Output	NO/NC (depends on part number)	Ambient humidity	35-95%RH	
Supply voltage	20...250 VAC/DC	Switching frequency [F]	AC: 15 Hz	DC: 40Hz
Standard target	Fe 60*60*1t	Voltage withstand	2000V/AC 50/60Hz 60S	
Switch-point drifts [%/S _r]	≤±20%	Insulation resistance	≥50MΩ (500VDC)	
Hysteresis range [%/S _r]	3...20%	Vibration resistance	10...50Hz (1.5mm)	
Repeat accuracy [R]	≤3%	Degree of protection	IP67	
Load current	AC: ≤300mA DC: ≤100mA	Housing material	PBT	
Residual voltage	AC: ≤10V DC: ≤8V	Connection type	2m PVC cable	

Dimensions



Wiring diagram



Metal cylindrical shape capacitive sensors **CQ32G** series



Features

- ◆ Be able to detect both metal and nonmetal objects;
- ◆ Be able to detect various media via nonmetallic container;
- ◆ Reliable liquid level detecting;



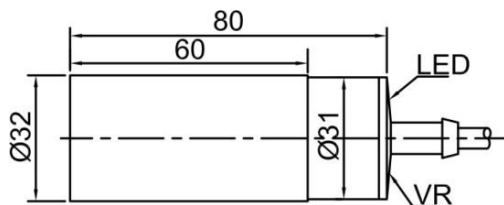
Part number

NPN NO	CQ32GCF15DNO	PNP NO	CQ32GCF15DPO
NPN NC	CQ32GCF15DNC	PNP NC	CQ32GCF15DPC
NPN NO+NC	CQ32GCF15DNR	PNP NO+NC	CQ32GCF15DPR

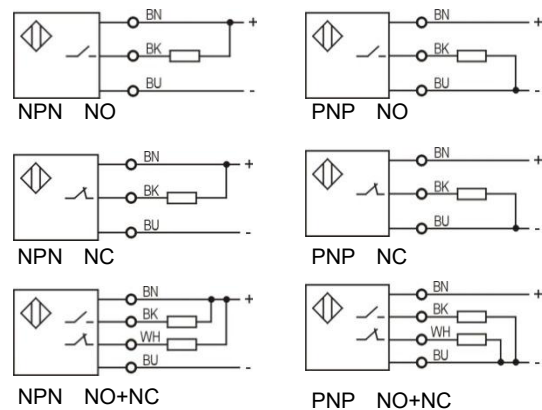
Technical specifications

Mounting	Flush	Consumption current	≤15mA
Rated distance [Sn]	15mm (adjustable)	Circuit protection	Short-circuit, overload and reverse polarity
Assured distance [Sa]	0...12mm	Output indicator	Yellow LED
Dimensions	Φ32*80mm	Ambient temperature	-25℃...70℃
Output	NO/NC(depends on part number)	Ambient humidity	35-95%RH
Supply voltage	10...30 VDC	Switching frequency [F]	50 Hz
Standard target	Fe45*45*1t	Voltage withstand	1000V/AC 50/60Hz 60S
Switch-point drifts [%/Sr]	≤±20%	Insulation resistance	≥50MΩ (500VDC)
Hysteresis range [%/Sr]	3...20%	Vibration resistance	10...50Hz (1.5mm)
Repeat accuracy [R]	≤3%	Degree of protection	IP67
Load current	≤200mA	Housing material	Stainless steel
Residual voltage	≤2.5V	Connection type	2m PVC cable

Dimensions



Wiring diagram



Metal cylindrical shape capacitive sensors **CQ32G**series



Features

- ◆ Be able to detect both metal and nonmetal objects;
- ◆ Be able to detect various media via nonmetallic container;
- ◆ Reliable liquid level detecting;



Part number

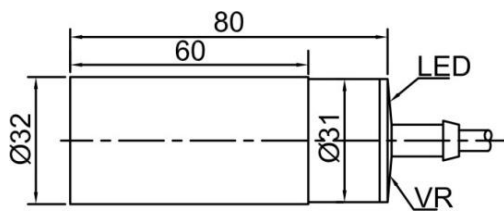
AC2 wires NO CQ32GCF15ATO

AC2 wires NC CQ32GCF15ATC

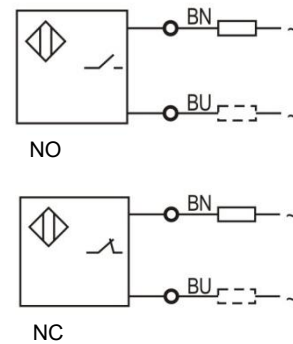
Technical specifications

Mounting	Flush	Leakage current [I _r]	≤3mA
Rated distance [S _n]	15mm (adjustable)	Circuit protection
Assured distance [S _a]	0...12mm	Output indicator	Yellow LED
Dimensions	Φ32*80mm	Ambient temperature	-25℃...70℃
Output	NO/NC(depends on part number)	Ambient humidity	35-95%RH
Supply voltage	20...250 VAC	Switching frequency [F]	15 Hz
Standard target	Fe45*45*1t	Voltage withstand	2000V/AC 50/60Hz 60S
Switch-point drifts [%/S _r]	≤±20%	Insulation resistance	≥50MΩ (500VDC)
Hysteresis range [%/S _r]	3...20%	Vibration resistance	10...50Hz (1.5mm)
Repeat accuracy [R]	≤3%	Degree of protection	IP67
Load current	≤300mA	Housing material	Stainless steel
Residual voltage	≤10V	Connection type	2m PVC cable

Dimensions



Wiring diagram



Metal cylindrical shape capacitive sensors **CQ32** series



Features

- ◆ Be able to detect both metal and nonmetal objects;
- ◆ Be able to detect various media via nonmetallic container;
- ◆ Reliable liquid level detecting;



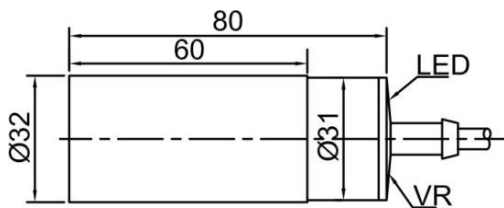
Part number

NPN NO	CQ32CF15DNO	PNP NO	CQ32CF15DPO
NPN NC	CQ32CF15DNC	PNP NC	CQ32CF15DPC
NPN NO+NC	CQ32CF15DNR	PNP NO+NC	CQ32CF15DPR

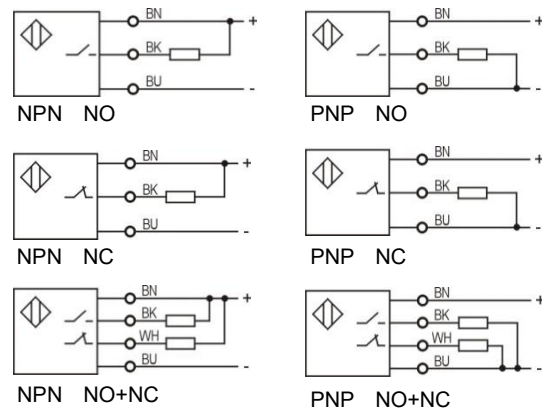
Technical specifications

Mounting	Flush	Consumption current	≤15mA
Rated distance [Sn]	15mm (adjustable)	Circuit protection	Short-circuit, overload and reverse polarity
Assured distance [Sa]	0...12mm	Output indicator	Yellow LED
Dimensions	Φ32*80mm	Ambient temperature	-25℃...70℃
Output	NO/NC(depends on part number)	Ambient humidity	35-95%RH
Supply voltage	10...30 VDC	Switching frequency [F]	50 Hz
Standard target	Fe45*45*1t	Voltage withstand	1000V/AC 50/60Hz 60S
Switch-point drifts [%/Sr]	≤±20%	Insulation resistance	≥50MΩ (500VDC)
Hysteresis range [%/Sr]	3...20%	Vibration resistance	10...50Hz (1.5mm)
Repeat accuracy [R]	≤3%	Degree of protection	IP67
Load current	≤200mA	Housing material	Nick-copper alloy
Residual voltage	≤2.5V	Connection type	2m PVC cable

Dimensions



Wiring diagram



Metal cylindrical shape capacitive sensors **CQ32**series



Features

- ◆ Be able to detect both metal and nonmetal objects;
- ◆ Be able to detect various media via nonmetallic container;
- ◆ Reliable liquid level detecting;



Part number

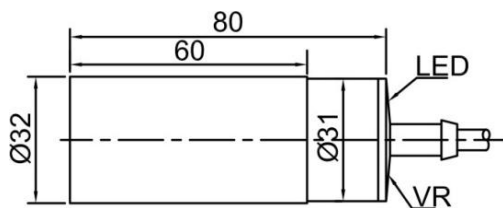
AC2 wires NO CQ32CF15ATO

AC2 wires NC CQ32CF15ATC

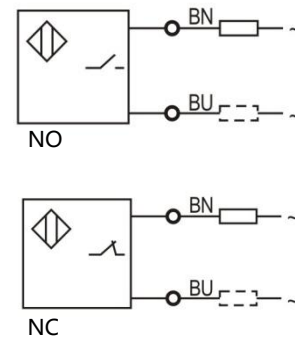
Technical specifications

Mounting	Flush	Leakage current [I _r]	≤3mA
Rated distance [S _n]	15mm (adjustable)	Circuit protection
Assured distance [S _a]	0...12mm	Output indicator	Yellow LED
Dimensions	Φ32*80mm	Ambient temperature	-25℃...70℃
Output	NO/NC(depends on part number)	Ambient humidity	35-95%RH
Supply voltage	20...250 VAC	Switching frequency [F]	15 Hz
Standard target	Fe45*45*1t	Voltage withstand	2000V/AC 50/60Hz 60S
Switch-point drifts [%/Sr]	≤±20%	Insulation resistance	≥50MΩ (500VDC)
Hysteresis range [%/Sr]	3...20%	Vibration resistance	10...50Hz (1.5mm)
Repeat accuracy [R]	≤3%	Degree of protection	IP67
Load current	≤300mA	Housing material	Nick-copper alloy
Residual voltage	≤10V	Connection type	2m PVC cable

Dimensions



Wiring diagram



Plastic cylindrical shape capacitive sensors **CQ20S** series


Features

- ◆ Be able to detect both metal and nonmetal objects;
- ◆ Be able to detect various media via nonmetallic container;
- ◆ Reliable liquid level detecting;



Part number

NPN NO	CQ20SCF10DNO	CQ20SCN15DNO	PNP NO	CQ20SCF10DPO	CQ20SCN15DPO
NPN NC	CQ20SCF10DNC	CQ20SCN15DNC	PNP NC	CQ20SCF10DPC	CQ20SCN15DPC
NPN NO+NC	CQ20SCF10DNR	CQ20SCN15DNR	PNP NO+NC	CQ20SCF10DPR	CQ20SCN15DPR

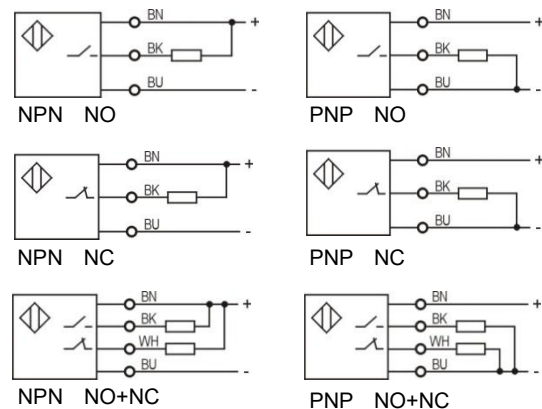
Technical specifications

Mounting	Flush	Non-flush	Consumption current	≤15mA
Rated distance [Sn]	10mm (adjustable)	15mm (adjustable)	Circuit protection	Short-circuit, overload and reverse polarity
Assured distance [Sa]	0...8mm	0...12mm	Output indicator	Yellow LED
Dimensions	Φ20*80mm	Φ20*80mm	Ambient temperature	-25℃...70℃
Output	NO/NC(depends on part number)		Ambient humidity	35-95%RH
Supply voltage	10...30 VDC		Switching frequency [F]	50 Hz
Standard target	Fe30*30*1t	Fe45*45*1t	Voltage withstand	1000V/AC 50/60Hz 60S
Switch-point drifts [%/Sr]	≤±20%		Insulation resistance	≥50MΩ (500VDC)
Hysteresis range [%/Sr]	3...20%		Vibration resistance	10...50Hz (1.5mm)
Repeat accuracy [R]	≤3%		Degree of protection	IP67
Load current	≤200mA		Housing material	PBT
Residual voltage	≤2.5V		Connection type	2m PVC cable

Dimensions



Wiring diagram



Plastic cylindrical shape capacitive sensors **CQ20S** series



Features

- ◆ Be able to detect both metal and nonmetal objects;
- ◆ Be able to detect various media via nonmetallic container;
- ◆ Reliable liquid level detecting;



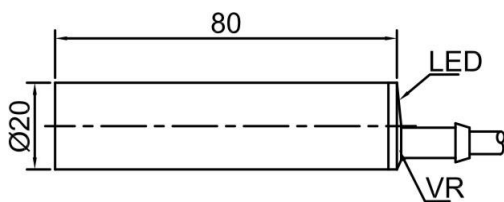
Part number

AC2 wires NO	CQ20SCF10ATO	CQ20SCN15ATO	AC2 wires NC	CQ20SCF10ATC	CQ20SCN15ATC
--------------	--------------	--------------	--------------	--------------	--------------

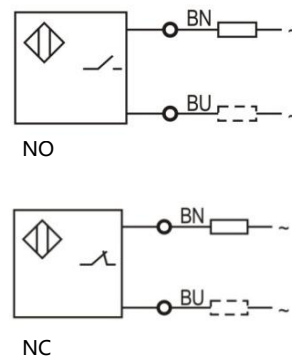
Technical specifications

Mounting	Flush	Non-flush	Leakage current [I _r]	≤3mA
Rated distance [S _n]	10mm (adjustable)	15mm (adjustable)	Circuit protection
Assured distance [S _a]	0...8mm	0...12mm	Output indicator	Yellow LED
Dimensions	Φ20*80mm		Ambient temperature	-25℃...70℃
Output	NO/NC(depends on part number)		Ambient humidity	35-95%RH
Supply voltage	20...250 VAC		Switching frequency [F]	15 Hz
Standard target	Fe30*30*1t	Fe45*45*1t	Voltage withstand	2000V/AC 50/60Hz 60S
Switch-point drifts [%/S _r]	±20%		Insulation resistance	≥50MΩ (500VDC)
Hysteresis range [%/S _r]	3...20%		Vibration resistance	10...50Hz (1.5mm)
Repeat accuracy [R]	≤3%		Degree of protection	IP67
Load current	≤300mA		Housing material	PBT
Residual voltage	≤10V		Connection type	2m PVC cable

Dimensions



Wiring diagram



Metal cylindrical shape capacitive sensors **CQ20G** series


Features

- ◆ Be able to detect both metal and nonmetal objects;
- ◆ Be able to detect various media via nonmetallic container;
- ◆ Reliable liquid level detecting;



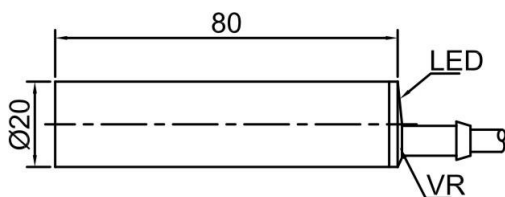
Part number

NPN NO	CQ20GCF10DNO	PNP NO	CQ20GCF10DPO
NPN NC	CQ20GCF10DNC	PNP NC	CQ20GCF10DPC
NPN NO+NC	CQ20GCF10DNR	PNP NO+NC	CQ20GCF10DPR

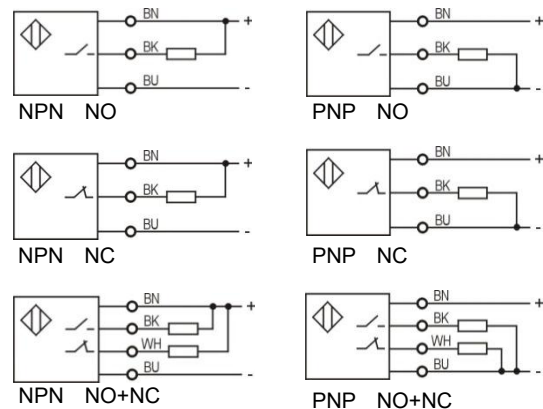
Technical specifications

Mounting	Flush	Consumption current	≤15mA
Rated distance [Sn]	10mm (adjustable)	Circuit protection	Short-circuit, overload and reverse polarity
Assured distance [Sa]	0...8mm	Output indicator	Yellow LED
Dimensions	Φ20*80mm	Ambient temperature	-25°C...70°C
Output	NO/NC(depends on part number)	Ambient humidity	35-95%RH
Supply voltage	10...30 VDC	Switching frequency [F]	50 Hz
Standard target	Fe30*30*1t	Voltage withstand	1000V/AC 50/60Hz 60S
Switch-point drifts [%/Sr]	≤±20%	Insulation resistance	≥50MΩ (500VDC)
Hysteresis range [%/Sr]	3...20%	Vibration resistance	10...50Hz (1.5mm)
Repeat accuracy [R]	≤3%	Degree of protection	IP67
Load current	≤200mA	Housing material	Stainless steel
Residual voltage	≤2.5V	Connection type	2m PVC cable

Dimensions



Wiring diagram



Metal cylindrical shape capacitive sensors **CQ20G** series



Features

- ◆ Be able to detect both metal and nonmetal objects;
- ◆ Be able to detect various media via nonmetallic container;
- ◆ Reliable liquid level detecting;



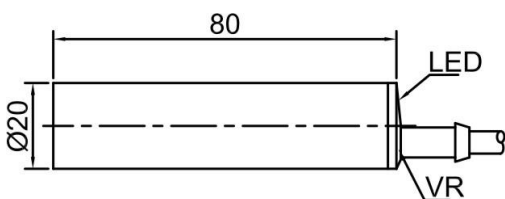
Part number

AC2 wires NO	CQ20GCF10ATO	AC2 wires NC	CQ20GCF10ATC
--------------	--------------	--------------	--------------

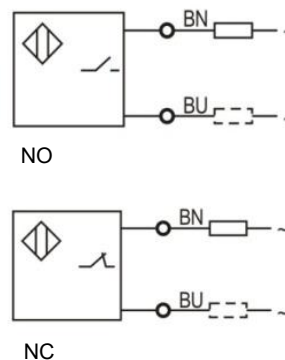
Technical specifications

Mounting	Flush	Leakage current [I _r]	≤3mA
Rated distance [S _n]	10mm (adjustable)	Circuit protection
Assured distance [S _a]	0...8mm	Output indicator	Yellow LED
Dimensions	Φ20*80mm	Ambient temperature	-25℃...70℃
Output	NO/NC(depends on part number)	Ambient humidity	35-95%RH
Supply voltage	20...250 VAC	Switching frequency [F]	15 Hz
Standard target	Fe30*30*1t	Voltage withstand	2000V/AC 50/60Hz 60S
Switch-point drifts [%/S _r]	≤±20%	Insulation resistance	≥50MΩ (500VDC)
Hysteresis range [%/S _r]	3...20%	Vibration resistance	10...50Hz (1.5mm)
Repeat accuracy [R]	≤3%	Degree of protection	IP67
Load current	≤300mA	Housing material	Stainless steel
Residual voltage	≤10V	Connection type	2m PVC cable

Dimensions



Wiring diagram



Metal cylindrical shape capacitive sensors **CQ20** series



Features

- ◆ Be able to detect both metal and nonmetal objects;
- ◆ Be able to detect various media via nonmetallic container;
- ◆ Reliable liquid level detecting;



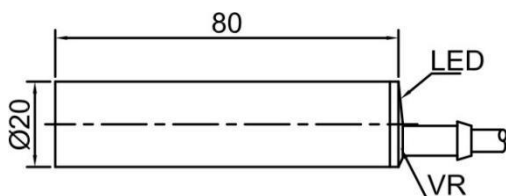
Part number

NPN NO	CQ20CF10DNO	PNP NO	CQ20CF10DPO
NPN NC	CQ20CF10DNC	PNP NC	CQ20CF10DPC
NPN NO+NC	CQ20CF10DNR	PNP NO+NC	CQ20CF10DPR

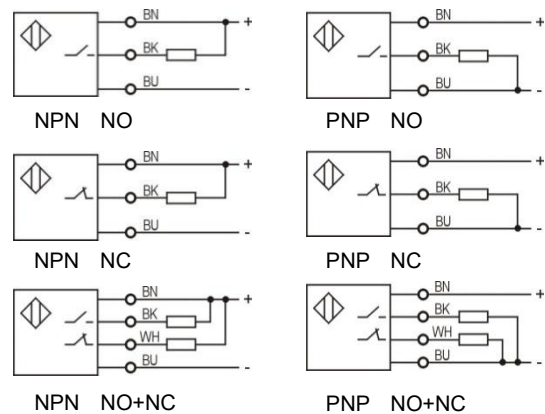
Technical specifications

Mounting	Flush	Consumption current	≤15mA
Rated distance [Sn]	10mm (adjustable)	Circuit protection	Short-circuit, overload and reverse polarity
Assured distance [Sa]	0...8mm	Output indicator	Yellow LED
Dimensions	Φ20*80mm	Ambient temperature	-25℃...70℃
Output	NO/NC(depends on part number)	Ambient humidity	35-95%RH
Supply voltage	10...30 VDC	Switching frequency [F]	50 Hz
Standard target	Fe30*30*1t	Voltage withstand	1000V/AC 50/60Hz 60S
Switch-point drifts [%/Sr]	≤±20%	Insulation resistance	≥50MΩ (500VDC)
Hysteresis range [%/Sr]	3...20%	Vibration resistance	10...50Hz (1.5mm)
Repeat accuracy [R]	≤3%	Degree of protection	IP67
Load current	≤200mA	Housing material	Nick-copper alloy
Residual voltage	≤2.5V	Connection type	2m PVC cable

Dimensions



Wiring diagram



Metal cylindrical shape capacitive sensors **CQ20** series



Features

- ◆ Be able to detect both metal and nonmetal objects;
- ◆ Be able to detect various media via nonmetallic container;
- ◆ Reliable liquid level detecting;



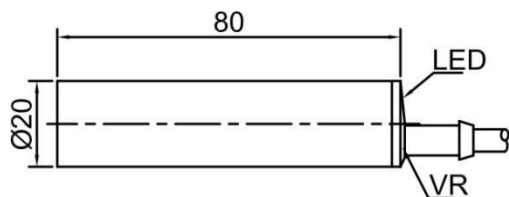
Part number

AC2 wires NO	CQ20CF10ATO	AC2 wires NC	CQ20CF10ATC
--------------	-------------	--------------	-------------

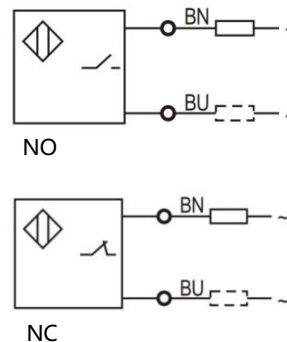
Technical specifications

Mounting	Flush	Leakage current [I _r]	≤3mA
Rated distance [S _n]	10mm (adjustable)	Circuit protection
Assured distance [S _a]	0...8mm	Output indicator	Yellow LED
Dimensions	Φ20*80mm	Ambient temperature	-25℃...70℃
Output	NO/NC(depends on part number)	Ambient humidity	35-95%RH
Supply voltage	20...250 VAC	Switching frequency [F]	15 Hz
Standard target	Fe30*30*1t	Voltage withstand	2000V/AC 50/60Hz 60S
Switch-point drifts [%/S _r]	≤±20%	Insulation resistance	≥50MΩ (500VDC)
Hysteresis range [%/S _r]	3...20%	Vibration resistance	10...50Hz (1.5mm)
Repeat accuracy [R]	≤3%	Degree of protection	IP67
Load current	≤300mA	Housing material	Nick-copper alloy
Residual voltage	≤10V	Connection type	2m PVC cable

Dimensions



Wiring diagram



По вопросам продаж и поддержки обращайтесь:

Алматы (727)345-47-04
Ангарск (3955)60-70-56
Архангельск (8182)63-90-72
Астрахань (8512)99-46-04
Барнаул (3852)73-04-60
Белгород (4722)40-23-64
Благовещенск (4162)22-76-07
Брянск (4832)59-03-52
Владивосток (423)249-28-31
Владикавказ (8672)28-90-48
Владимир (4922)49-43-18
Волгоград (844)278-03-48
Вологда (8172)26-41-59
Воронеж (473)204-51-73
Екатеринбург (343)384-55-89

Иваново (4932)77-34-06
Ижевск (3412)26-03-58
Иркутск (395)279-98-46
Казань (843)206-01-48
Калининград (4012)72-03-81
Калуга (4842)92-23-67
Кемерово (3842)65-04-62
Киров (8332)68-02-04
Коломна (4966)23-41-49
Кострома (4942)77-07-48
Краснодар (861)203-40-90
Красноярск (391)204-63-61
Курск (4712)77-13-04
Курган (3522)50-90-47
Липецк (4742)52-20-81

Магнитогорск (3519)55-03-13
Москва (495)268-04-70
Мурманск (8152)59-64-93
Набережные Челны (8552)20-53-41
Новокузнецк (3843)20-46-81
Ноябрьск (3496)41-32-12
Новосибирск (383)227-86-73
Омск (3812)21-46-40
Орел (4862)44-53-42
Оренбург (3532)37-68-04
Пенза (8412)22-31-16
Петрозаводск (8142)55-98-37
Псков (8112)59-10-37
Пермь (342)205-81-47

Ростов-на-Дону (863)308-18-15
Рязань (4912)46-61-64
Самара (846)206-03-16
Санкт-Петербург (812)309-46-40
Саратов (845)249-38-78
Севастополь (8692)22-31-93
Саранск (8342)22-96-24
Симферополь (3652)67-13-56
Смоленск (4812)29-41-54
Сочи (862)225-72-31
Ставрополь (8652)20-65-13
Сургут (3462)77-98-35
Сыктывкар (8212)25-95-17
Тамбов (4752)50-40-97
Тверь (4822)63-31-35

Тольятти (8482)63-91-07
Томск (3822)98-41-53
Тула (4872)33-79-87
Тюмень (3452)66-21-18
Ульяновск (8422)24-23-59
Улан-Удэ (3012)59-97-51
Уфа (347)229-48-12
Хабаровск (4212)92-98-04
Чебоксары (8352)28-53-07
Челябинск (351)202-03-61
Череповец (8202)49-02-64
Чита (3022)38-34-83
Якутск (4112)23-90-97
Ярославль (4852)69-52-93

Россия +7(495)268-04-70

Казахстан +(727)345-47-04

Беларусь +(375)257-127-884

Узбекистан +998(71)205-18-59

Киргизия +996(312)96-26-47

эл.почта: ahj@nt-rt.ru || сайт: <https://lanbao.nt-rt.ru/>