

Ёмкостные датчики с улучшенной частотой СЕ

Технические характеристики

По вопросам продаж и поддержки обращайтесь:

Алматы (727)345-47-04
Ангарск (3955)60-70-56
Архангельск (8182)63-90-72
Астрахань (8512)99-46-04
Барнаул (3852)73-04-60
Белгород (4722)40-23-64
Благовещенск (4162)22-76-07
Брянск (4832)59-03-52
Владивосток (423)249-28-31
Владикавказ (8672)28-90-48
Владимир (4922)49-43-18
Волгоград (844)278-03-48
Вологда (8172)26-41-59
Воронеж (473)204-51-73
Екатеринбург (343)384-55-89

Иваново (4932)77-34-06
Ижевск (3412)26-03-58
Иркутск (395)279-98-46
Казань (843)206-01-48
Калининград (4012)72-03-81
Калуга (4842)92-23-67
Кемерово (3842)65-04-62
Киров (8332)68-02-04
Коломна (4966)23-41-49
Кострома (4942)77-07-48
Краснодар (861)203-40-90
Красноярск (391)204-63-61
Курск (4712)77-13-04
Курган (3522)50-90-47
Липецк (4742)52-20-81

Магнитогорск (3519)55-03-13
Москва (495)268-04-70
Мурманск (8152)59-64-93
Набережные Челны (8552)20-53-41
Нижний Новгород (831)429-08-12
Новокузнецк (3843)20-46-81
Ноябрьск (3496)41-32-12
Новосибирск (383)227-86-73
Омск (3812)21-46-40
Орел (4862)44-53-42
Оренбург (3532)37-68-04
Пенза (8412)22-31-16
Петрозаводск (8142)55-98-37
Псков (8112)59-10-37
Пермь (342)205-81-47

Ростов-на-Дону (863)308-18-15
Рязань (4912)46-61-64
Самара (846)206-03-16
Санкт-Петербург (812)309-46-40
Саратов (845)249-38-78
Севастополь (8692)22-31-93
Саранск (8342)22-96-24
Симферополь (3652)67-13-56
Смоленск (4812)29-41-54
Сочи (862)225-72-31
Ставрополь (8652)20-65-13
Сургут (3462)77-98-35
Сыктывкар (8212)25-95-17
Тамбов (4752)50-40-97
Тверь (4822)63-31-35

Тольятти (8482)63-91-07
Томск (3822)98-41-53
Тула (4872)33-79-87
Тюмень (3452)66-21-18
Ульяновск (8422)24-23-59
Улан-Удэ (3012)59-97-51
Уфа (347)229-48-12
Хабаровск (4212)92-98-04
Чебоксары (8352)28-53-07
Челябинск (351)202-03-61
Череповец (8202)49-02-64
Чита (3022)38-34-83
Якутск (4112)23-90-97
Ярославль (4852)69-52-93

Россия +7(495)268-04-70

Казахстан +(727)345-47-04

Беларусь +(375)257-127-884

Узбекистан +998(71)205-18-59

Киргизия +996(312)96-26-47

эл.почта: ahj@nt-rt.ru || сайт: <https://lanbao.nt-rt.ru/>

Capacitive sensor CE16 series



Feature Description

- Detect metal and non-metal materials, with a wider range of applications;
- Response frequency up to 100Hz;
- Quick and precise adjustment of sensitivity through multi turn potentiometers.



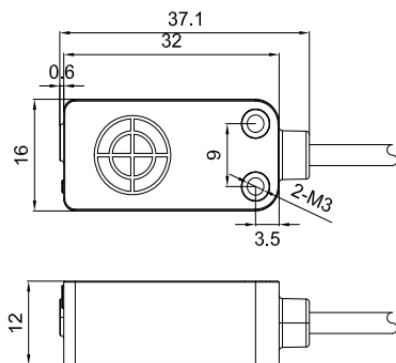
Part number

NPN NO	CE16SN06DNOG	PNP NO	CE16SN06DPOG
NPN NC	CE16SN06DNCG	PNP NC	CE16SN06DPCG

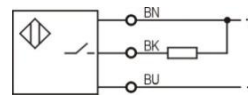
Specification

Mounting	nonflush	Load current	≤150mA
Rated distance	6mm	Residual voltage	≤2.5V
Adjustable distance	3..6mm	Current consumption	≤8mA
Adjustment method	Multi turn potentiometer	Protection circuit	Short circuit, overload, reverse polarity protection
Shape size	12*16*37.1mm	Output indicator	Yellow LED
Output	NPN/PNP NO/NC	Switching frequency	100Hz
Supply voltage	10..30VDC	Vibration resistance	Complex amplitude 1.5mm10..50Hz(2hrs per X,Y,Z direction)
Standard target	St 4525*25*1t (Grounded)	Impulse resistance	30G/11ms, 3 times per X,Y,Z direction
Switch point offset	≤±10%	Protection level	IP67
Hysteresis	3..20%	Housing material	ABS
Repeated error	≤6%	Connection	2m PVC cable

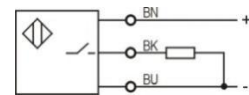
Dimension



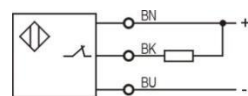
Wiring



NPN NO



PNP NO

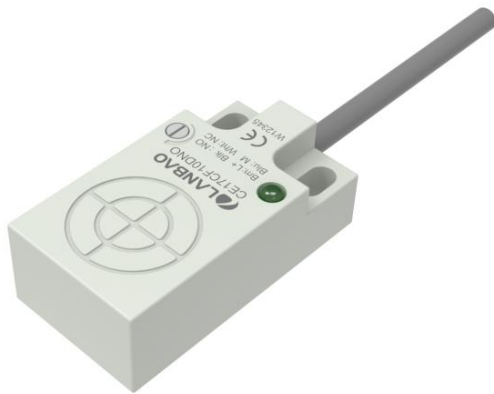


NPN NC



PNP NC

Plastic square capacitive sensor CE17 series



Features:

- Can detect metal and non-metal material objects, more widely used.
- Response frequency up to 100Hz.
- Fast and accurate sensitivity adjustment with multi-turn potentiometer.
- Detection distance up to 8mm.



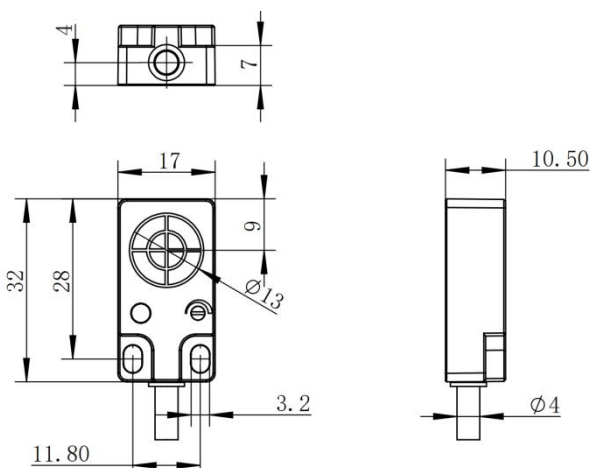
Part number

NPN NO	CE17SN08DNOY	PNP NO	CE17SN08DPOY
NPN NC	CE17SN08DNCY	PNP NC	CE17SN08DPCY

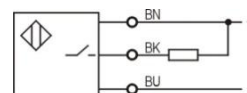
Technical specifications

Installation type	Non-flush	Residual voltage	≤2.5V
Rated distance	8mm	Consumption current	≤5mA
Adjust the distance	3...12mm(Adjustable)	Circuit protection	Short circuit protection, overload protection, reverse polarity protection
Adjustment method	Multi-turn potentiometer	Output indication	Yellow
Shape specification	32* 17*10.5 mm	Switching frequency	100Hz
Output type	NPN/PNP NO/NC	Vibration resistant	Complex amplitude 1.5mm 10...50Hz(2 hours each in X, Y, and Z directions)
Supply voltage	10...30VDC	Impulse withsand	30G/11ms, 3 times each for X, Y, Z direction
Standard target	Fe 25*25*1t(Grounded)	Protection degree	IP54
Switch point offset	±10%	Housing material	ABS
Hysteresis range	3...20%	Connection type	2m PVC cable
Repetitive error	≤5%		
Load current	≤150mA		

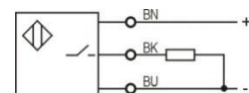
Dimensions



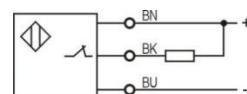
Wiring diagram



NPN NO



PNP NO



NPN NC



PNP NC

Rectangular capacitive sensor **CE05X** series



Features:

- 5.5mm ultra-thin shape
- Screw mounting and strap mounting are optional
- Adjustable detection distance
- Simultaneous detection of metallic and non-metallic objects

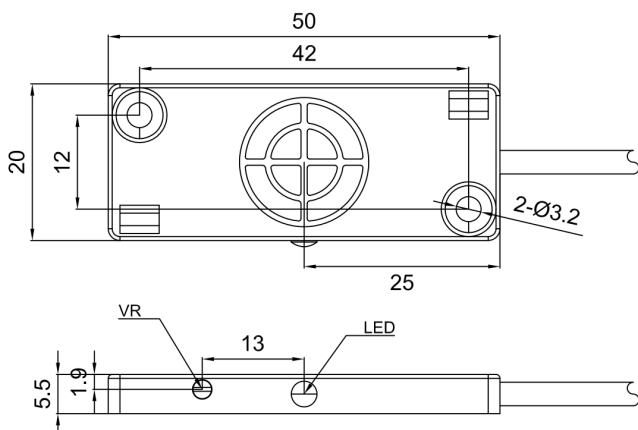


Part number			
NPN NO	CE05XSN06DNOG	PNP NO	CE05XSN06DPOG
NPN NC	CE05XSN06DNCG	PNP NC	CE05XSN06DPCG

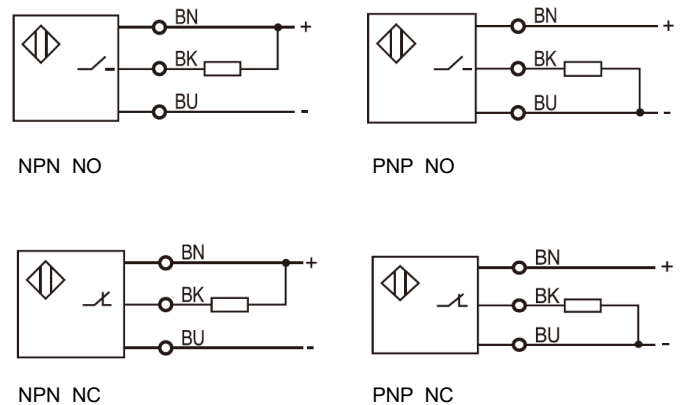
Specifications

Installation	Non-flush	Protection circuit	Reverse polarity protection
Rated distance S_n	5mm(Adjustable)	Output indicator	Yellow LED
Adjustable distance	2...6mm	Ambient temperature	-10°C...55°C
Shape size	20*50*5.5mm	Ambient humidity	35...95%RH
Output	NO/NC(Depending on model)	Switch frequency	100Hz
Supply voltage	10...30 VDC	Impulse resistance	1000V/AC 50/60Hz 60s
Standard target	Fe 30*30*1t(Ground)	Insulation resistance	$\geq 50M\Omega(500VDC)$
Switch point offset	$\leq \pm 10\%$	Vibration resistance	Complex amplitude 1.5mm 10...50Hz (2h each in X,Y,Z directions)
Hysteresis range	1...20%	Protection degree	IP67
Repeated error	$\leq 5\%$	Housing material	PBT
Load current	$\leq 100mA$	Connection	2m PVC cable
Residual voltage	$\leq 2.5V$		
Current consumption	$\leq 15mA$		

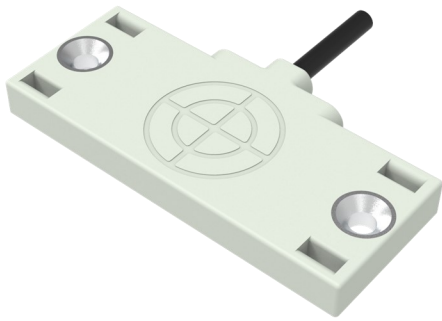
Dimensions



Wiring Diagram



Rectangular capacitive sensor **CE05** series



Features:

- 5.5mm ultra-thin shape
- Screw mounting and strap mounting are optional
- Adjustable detection distance
- Simultaneous detection of metallic and non-metallic objects

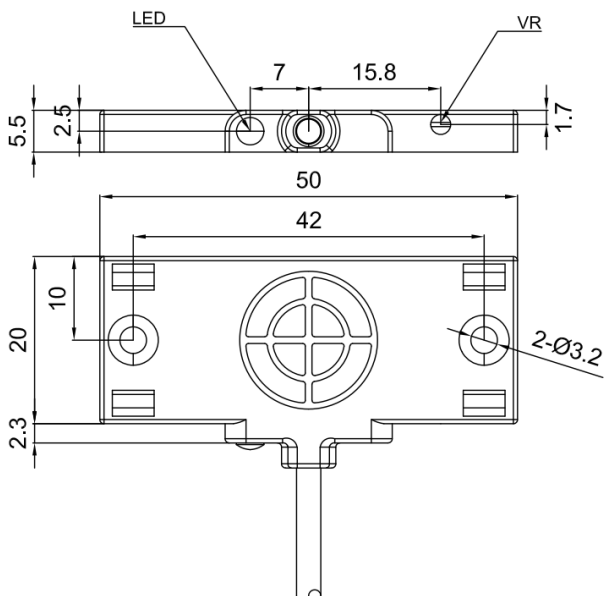


Part number			
NPN NO	CE05SN06DNOG	PNP NO	CE05SN06DPOG
NPN NC	CE05SN06DNCG	PNP NC	CE05SN06DPCCG

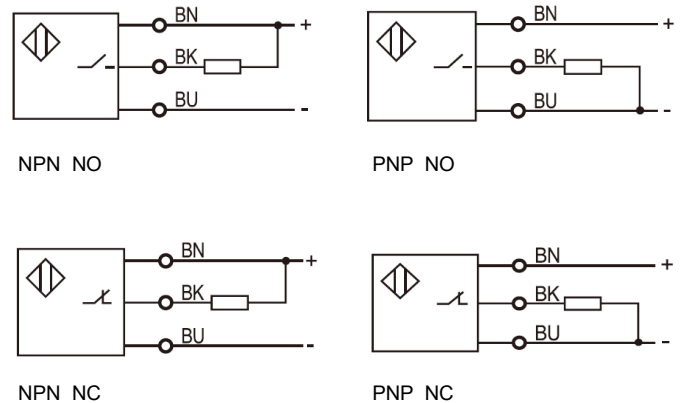
Specifications

Installation	Non-flush	Protection circuit	Reverse polarity protection
Rated distance S_n	5mm(Adjustable)	Output indicator	Yellow LED
Adjustable distance	2...6mm	Ambient temperature	-10°C...55°C
Shape size	20*50*5.5mm	Ambient humidity	35...95%RH
Output	NO/NC(Depending on model)	Switch frequency	100Hz
Supply voltage	10...30 VDC	Impulse resistance	1000V/AC 50/60Hz 60s
Standard target	Fe 30*30*1t(Ground)	Insulation resistance	$\geq 50M\Omega(500VDC)$
Switch point offset	$\leq \pm 10\%$	Vibration resistance	Complex amplitude 1.5mm 10...50Hz (2h each in X,Y,Z directions)
Hysteresis range	1...20%	Protection degree	IP67
Repeated error	$\leq 5\%$	Housing material	PBT
Load current	$\leq 100mA$	Connection	2m PVC cable
Residual voltage	$\leq 2.5V$		
Current consumption	$\leq 15mA$		

Dimensions



Wiring Diagram



CE34-G series



Product Series : Frequency enhanced series

NPN	NO	CE34SN10DNOG
High response frequency. The detection distance can be adjusted by knob. High detection accuracy. Strong anti-EMC interference ability.		
Installation type	Non-flush	
Rated distance	5mm(Multi-turn adjustable)	
Adjustable distance	2 ...8mm	
Shape specification	20*50*10mm	
Output type	NPN NO	
Supply voltage	10...30VDC	
Standard target	Fe30*30*1t(Grounded))	
Switch pointoffset	≤±10%	
Hysteresisrange	1...20%	
Repetitive error	≤3%	
Load current	≤100mA	
Residual voltage	≤2.5V	
Consumption current	≤15mA	
Circuit protection	Reverse polarity protection	
Output indication	Yellow LED	
Ambient temperature	-10°C...55°C	
Environment humidity	35-95%RH	
Switching frequency	100Hz	
High pressure resistant	1000V/AC50/60Hz60s	
Insulation resistance	≥50MΩ(500VDC)	
Insulation resistance	Complex amplitude 1.5mm10...50Hz (2 hours each in X, Y, and Z directions)	
Protection degree	IP67	
Housing material	PBT	
Connection type	2m Cable	

По вопросам продаж и поддержки обращайтесь:

Алматы (727)345-47-04
Ангарск (3955)60-70-56
Архангельск (8182)63-90-72
Астрахань (8512)99-46-04
Барнаул (3852)73-04-60
Белгород (4722)40-23-64
Благовещенск (4162)22-76-07
Брянск (4832)59-03-52
Владивосток (423)249-28-31
Владикавказ (8672)28-90-48
Владимир (4922)49-43-18
Волгоград (844)278-03-48
Вологда (8172)26-41-59
Воронеж (473)204-51-73
Екатеринбург (343)384-55-89

Иваново (4932)77-34-06
Ижевск (3412)26-03-58
Иркутск (395)279-98-46
Казань (843)206-01-48
Калининград (4012)72-03-81
Калуга (4842)92-23-67
Кемерово (3842)65-04-62
Киров (8332)68-02-04
Коломна (4966)23-41-49
Кострома (4942)77-07-48
Краснодар (861)203-40-90
Красноярск (391)204-63-61
Курск (4712)77-13-04
Курган (3522)50-90-47
Липецк (4742)52-20-81

Магнитогорск (3519)55-03-13
Москва (495)268-04-70
Мурманск (8152)59-64-93
Набережные Челны (8552)20-53-41
Новокузнецк (3843)20-46-81
Ноябрьск (3496)41-32-12
Новосибирск (383)227-86-73
Омск (3812)21-46-40
Орел (4862)44-53-42
Оренбург (3532)37-68-04
Пенза (8412)22-31-16
Петрозаводск (8142)55-98-37
Псков (8112)59-10-37
Пермь (342)205-81-47

Ростов-на-Дону (863)308-18-15
Рязань (4912)46-61-64
Самара (846)206-03-16
Санкт-Петербург (812)309-46-40
Саратов (845)249-38-78
Севастополь (8692)22-31-93
Саранск (8342)22-96-24
Симферополь (3652)67-13-56
Смоленск (4812)29-41-54
Сочи (862)225-72-31
Ставрополь (8652)20-65-13
Сургут (3462)77-98-35
Сыктывкар (8212)25-95-17
Тамбов (4752)50-40-97
Тверь (4822)63-31-35

Тольятти (8482)63-91-07
Томск (3822)98-41-53
Тула (4872)33-79-87
Тюмень (3452)66-21-18
Ульяновск (8422)24-23-59
Улан-Удэ (3012)59-97-51
Уфа (347)229-48-12
Хабаровск (4212)92-98-04
Чебоксары (8352)28-53-07
Челябинск (351)202-03-61
Череповец (8202)49-02-64
Чита (3022)38-34-83
Якутск (4112)23-90-97
Ярославль (4852)69-52-93

Россия +7(495)268-04-70

Казахстан +(727)345-47-04

Беларусь +(375)257-127-884

Узбекистан +998(71)205-18-59

Киргизия +996(312)96-26-47

эл.почта: ahj@nt-rt.ru || сайт: <https://lanbao.nt-rt.ru/>