

# Емкостные датчики с увеличенной дистанцией CR

## Технические характеристики

По вопросам продаж и поддержки обращайтесь:

Алматы (727)345-47-04  
Ангарск (3955)60-70-56  
Архангельск (8182)63-90-72  
Астрахань (8512)99-46-04  
Барнаул (3852)73-04-60  
Белгород (4722)40-23-64  
Благовещенск (4162)22-76-07  
Брянск (4832)59-03-52  
Владивосток (423)249-28-31  
Владикавказ (8672)28-90-48  
Владимир (4922)49-43-18  
Волгоград (844)278-03-48  
Вологда (8172)26-41-59  
Воронеж (473)204-51-73  
Екатеринбург (343)384-55-89

Иваново (4932)77-34-06  
Ижевск (3412)26-03-58  
Иркутск (395)279-98-46  
Казань (843)206-01-48  
Калининград (4012)72-03-81  
Калуга (4842)92-23-67  
Кемерово (3842)65-04-62  
Киров (8332)68-02-04  
Коломна (4966)23-41-49  
Кострома (4942)77-07-48  
Краснодар (861)203-40-90  
Красноярск (391)204-63-61  
Курск (4712)77-13-04  
Курган (3522)50-90-47  
Липецк (4742)52-20-81

Магнитогорск (3519)55-03-13  
Москва (495)268-04-70  
Мурманск (8152)59-64-93  
Набережные Челны (8552)20-53-41  
Нижний Новгород (831)429-08-12  
Новокузнецк (3843)20-46-81  
Ноябрьск (3496)41-32-12  
Новосибирск (383)227-86-73  
Омск (3812)21-46-40  
Орел (4862)44-53-42  
Оренбург (3532)37-68-04  
Пенза (8412)22-31-16  
Петрозаводск (8142)55-98-37  
Псков (8112)59-10-37  
Пермь (342)205-81-47

Ростов-на-Дону (863)308-18-15  
Рязань (4912)46-61-64  
Самара (846)206-03-16  
Санкт-Петербург (812)309-46-40  
Саратов (845)249-38-78  
Севастополь (8692)22-31-93  
Саранск (8342)22-96-24  
Симферополь (3652)67-13-56  
Смоленск (4812)29-41-54  
Сочи (862)225-72-31  
Ставрополь (8652)20-65-13  
Сургут (3462)77-98-35  
Сыктывкар (8212)25-95-17  
Тамбов (4752)50-40-97  
Тверь (4822)63-31-35

Тольятти (8482)63-91-07  
Томск (3822)98-41-53  
Тула (4872)33-79-87  
Тюмень (3452)66-21-18  
Ульяновск (8422)24-23-59  
Улан-Удэ (3012)59-97-51  
Уфа (347)229-48-12  
Хабаровск (4212)92-98-04  
Чебоксары (8352)28-53-07  
Челябинск (351)202-03-61  
Череповец (8202)49-02-64  
Чита (3022)38-34-83  
Якутск (4112)23-90-97  
Ярославль (4852)69-52-93

Россия +7(495)268-04-70

Казахстан +(727)345-47-04

Беларусь +(375)257-127-884

Узбекистан +998(71)205-18-59

Киргизия +996(312)96-26-47

эл.почта: [ahj@nt-rt.ru](mailto:ahj@nt-rt.ru) || сайт: <https://lanbao.nt-rt.ru/>

# CR30XS series cylindrical capacitive sensor



## Feature description

- Integrated housing matches double highlighted LED indicator
- IP68 protection class which is effectively moisture-proof and dust-proof
- Enhance detection distance. Sensitivity adjustment adopts multi-turn potentiometer so as to reach higher adjustment accuracy
- High reliability, excellent EMC design with protection against short circuit, overloaded and reverse polarity
- Widely used in both metal and non-metal (plastic, powder, liquid, etc.) material testing



## Model specification

NPN NO	CR30XSCN25DNOY-E2	PNP NO	CR30XSCN25DPOY-E2
NPN NC	CR30XSCN25DNKY-E2	PNP NC	CR30XSCN25DKPY-E2
NPN NO+NC	CR30XSCN25DNRY-E2	PNP NO+NC	CR30XSCN25DPRY-E2

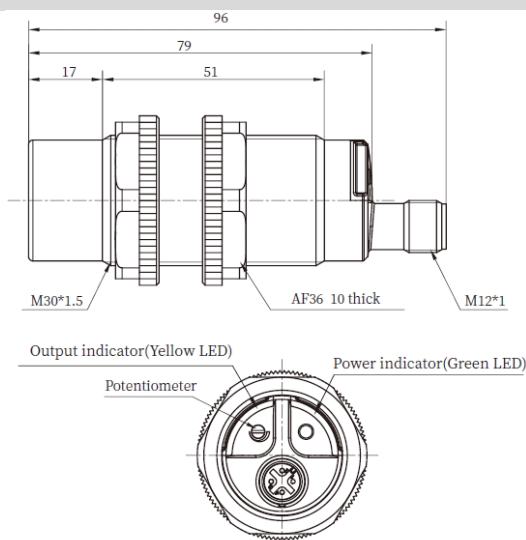
## Specifications

Installation type	Non-flush	Indicator	Output indication:Yellow LED;Power indicator:Green LED
Rated distance $S_n$	25mm <sup>①</sup>		Overload or short circuit indication:Yellow LED flashes
Ensure distance $S_a$	≤18mm	Switching frequency	20Hz
Adjust the distance	4...30mm	Ambient temperature	When working:-25...70°C(No icing, No condensation)
Adjustment method	Multi-turn potentiometer		When storing:-30...80°C(No icing, No condensation)
	(Electrical adjustment > 10)	Environment humidity	35...95%RH(No icing, No condensation)
Standard test object	Fe 75*75*1t(Grounded) <sup>②</sup>	Vibration resistant	10...55Hz,Dual amplitude 1mm(2 hours
Supply voltage	10...30VDC		each in X, Y, and Z directions)
Load current	≤200mA	Impulse withsand	30g/11ms,3 times each for X,Y,Z direction
Residual voltage	≤2V	High pressure resistant	1000V/AC 50/60Hz 60s
Consumption current	≤20mA	Insulation resistance	≥50MΩ(500VDC)
Switch point offset [%/Sr]	≤±10%	Shape specification	M30*1.5*96mm
Temperature drift [%/Sr]	≤±20%	Protection degree	IP68
Hysteresis range [%/Sr]	3...20%	Housing material	PBT
Repetitive error [R]	≤5%	Connection type	M12 Connector
Circuit protection	Short circuit protection, Overload protection, Reverse polarity protection	Accessories	M30 nuts×2, Slotted screwdriver, Operation manual

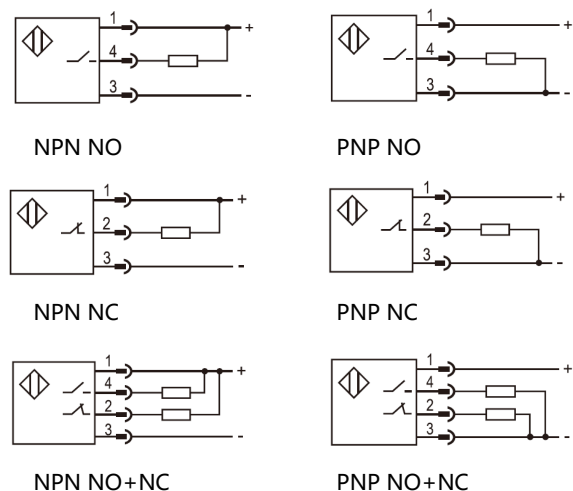
Note: ①the factory default sensing distance is  $S_n \pm 10\%$

②unit:mm

## Dimensions



## Wiring diagram



# CR30XS series cylindrical capacitive sensor



## Feature description

- Integrated housing matches double highlighted LED indicator
- IP68 protection class which is effectively moisture-proof and dust-proof
- Enhance detection distance. Sensitivity adjustment adopts multi-turn potentiometer so as to reach higher adjustment accuracy
- High reliability, excellent EMC design with protection against short circuit, overloaded and reverse polarity
- Widely used in both metal and non-metal (plastic, powder, liquid, etc.) material testing



## Model specification

NPN NO	CR30XSCF15DNOY	PNP NO	CR30XSCF15DPOY
NPN NC	CR30XSCF15DNKY	PNP NC	CR30XSCF15DPKY
NPN NO+NC	CR30XSCF15DNRY	PNP NO+NC	CR30XSCF15DPRY

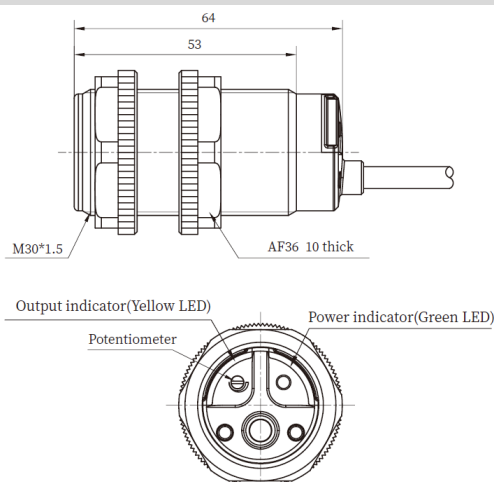
## Specifications

Installation type	Flush	Indicator	Output indication:Yellow LED;Power indicator:Green LED
Rated distance $S_n$	15mm <sup>①</sup>		Overload or short circuit indication:Yellow LED flashes
Ensure distance $S_a$	≤10.8mm	Switching frequency	20Hz
Adjust the distance	3...20mm	Ambient temperature	When working:-25...70°C(No icing, No condensation)
Adjustment method	Multi-turn potentiometer		When storing:-30...80°C(No icing, No condensation)
	(Electrical adjustment > 10)	Environment humidity	35...95%RH(No icing, No condensation)
Standard test object	Fe 45*45*1t(Grounded) <sup>②</sup>	Vibration resistant	10...55Hz,Dual amplitude 1mm(2 hours
Supply voltage	10...30VDC		each in X, Y, and Z directions)
Load current	≤200mA	Impulse withsand	30g/11ms,3 times each for X,Y,Z direction
Residual voltage	≤2V	High pressure resistant	1000V/AC 50/60Hz 60s
Consumption current	≤20mA	Insulation resistance	≥50MΩ(500VDC)
Switch point offset [%/Sr]	≤±10%	Shape specification	M30*1.5*64mm
Temperature drift [%/Sr]	≤±20%	Protection degree	IP68
Hysteresis range [%/Sr]	3...20%	Housing material	PBT
Repetitive error [R]	≤5%	Connection type	2m PVC Cable
Circuit protection	Short circuit protection, Overload protection, Reverse polarity protection	Accessories	M30 nuts×2, Slotted screwdriver, Operation manual

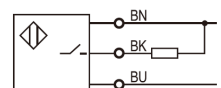
Note: ①the factory default sensing distance is  $S_n \pm 10\%$

②unit:mm

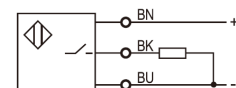
## Dimensions



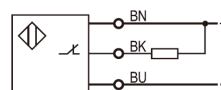
## Wiring diagram



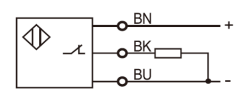
NPN NO



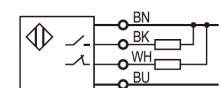
PNP NO



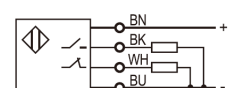
NPN NC



PNP NC



NPN NO+NC



PNP NO+NC

# CR30XS series cylindrical capacitive sensor



## Feature description

- Integrated housing matches double highlighted LED indicator
- IP68 protection class which is effectively moisture-proof and dust-proof
- Enhance detection distance. Sensitivity adjustment adopts multi-turn potentiometer so as to reach higher adjustment accuracy
- High reliability, excellent EMC design with protection against short circuit, overloaded and reverse polarity
- Widely used in both metal and non-metal (plastic, powder, liquid, etc.) material testing



## Model specification

NPN NO	CR30XSCN25DNOY	PNP NO	CR30XSCN25DPOY
NPN NC	CR30XSCN25DNKY	PNP NC	CR30XSCN25DKPY
NPN NO+NC	CR30XSCN25DNRY	PNP NO+NC	CR30XSCN25DPRY

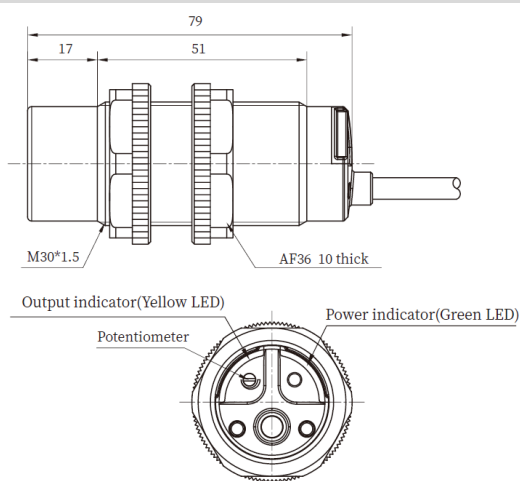
## Specifications

Installation type	Non-flush	Indicator	Output indication:Yellow LED;Power indicator:Green LED
Rated distance $S_n$	25mm <sup>①</sup>		Overload or short circuit indication:Yellow LED flashes
Ensure distance $S_a$	≤18mm	Switching frequency	20Hz
Adjust the distance	4...30mm	Ambient temperature	When working:-25...70°C(No icing, No condensation)
Adjustment method	Multi-turn potentiometer (Electrical adjustment > 10)	Environment humidity	When storing:-30...80°C(No icing, No condensation)
Standard test object	Fe 75*75*1t(Grounded) <sup>②</sup>	Vibration resistant	35...95%RH(No icing, No condensation)
Supply voltage	10...30VDC		10...55Hz,Dual amplitude 1mm(2 hours each in X, Y, and Z directions)
Load current	≤200mA	Impulse withstand	30g/11ms,3 times each for X,Y,Z direction
Residual voltage	≤2V	High pressure resistant	1000V/AC 50/60Hz 60s
Consumption current	≤20mA	Insulation resistance	≥50MΩ(500VDC)
Switch point offset [%/Sr]	±10%	Shape specification	M30*1.5*79mm
Temperature drift [%/Sr]	±20%	Protection degree	IP68
Hysteresis range [%/Sr]	3...20%	Housing material	PBT
Repetitive error [R]	≤5%	Connection type	2m PVC Cable
Circuit protection	Short circuit protection, Overload protection, Reverse polarity protection	Accessories	M30 nuts×2, Slotted screwdriver, Operation manual

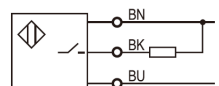
Note: ①the factory default sensing distance is  $S_n \pm 10\%$

②unit:mm

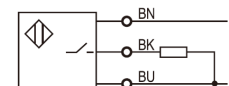
## Dimensions



## Wiring diagram



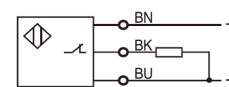
NPN NO



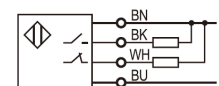
PNP NO



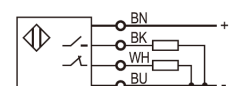
NPN NC



PNP NC



NPN NO+NC



PNP NO+NC

# CR30XS series cylindrical capacitive sensor



## Feature description

- Integrated housing matches double highlighted LED indicator
- IP68 protection class which is effectively moisture-proof and dust-proof
- Enhance detection distance. Sensitivity adjustment adopts multi-turn potentiometer so as to reach higher adjustment accuracy
- High reliability, excellent EMC design with protection against short circuit, overloaded and reverse polarity
- Widely used in both metal and non-metal (plastic, powder, liquid, etc.) material testing



## Model specification

NPN NO	CR30XSCF15DNOY-E2	PNP NO	CR30XSCF15DPOY-E2
NPN NC	CR30XSCF15DNKY-E2	PNP NC	CR30XSCF15DPCY-E2
NPN NO+NC	CR30XSCF15DNRY-E2	PNP NO+NC	CR30XSCF15DPRY-E2

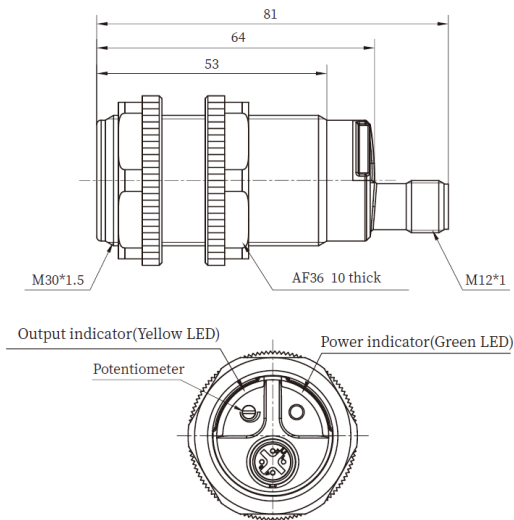
## Specifications

Installation type	Flush	Indicator	Output indication:Yellow LED;Power indicator:Green LED
Rated distance $S_n$	15mm <sup>①</sup>		Overload or short circuit indication:Yellow LED flashes
Ensure distance $S_a$	≤10.8mm	Switching frequency	20Hz
Adjust the distance	3...20mm	Ambient temperature	When working:-25...70°C(No icing, No condensation)
Adjustment method	Multi-turn potentiometer (Electrical adjustment > 10)	Environment humidity	When storing:-30...80°C(No icing, No condensation)
Standard test object	Fe 45*45*1t(Grounded) <sup>②</sup>	Vibration resistant	35...95%RH(No icing, No condensation)
Supply voltage	10...30VDC		10...55Hz,Dual amplitude 1mm(2 hours each in X, Y, and Z directions)
Load current	≤200mA	Impulse withsand	30g/11ms,3 times each for X,Y,Z direction
Residual voltage	≤2V	High pressure resistant	1000V/AC 50/60Hz 60s
Consumption current	≤20mA	Insulation resistance	≥50MΩ(500VDC)
Switch point offset [%/Sr]	±10%	Shape specification	M30*1.5*81mm
Temperature drift [%/Sr]	±20%	Protection degree	IP68
Hysteresis range [%/Sr]	3...20%	Housing material	PBT
Repetitive error [R]	≤5%	Connection type	M12 Connector
Circuit protection	Short circuit protection, Overload protection, Reverse polarity protection	Accessories	M30 nuts×2, Slotted screwdriver, Operation manual

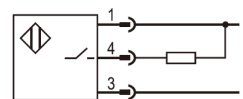
Note: ①the factory default sensing distance is  $S_n \pm 10\%$

②unit:mm

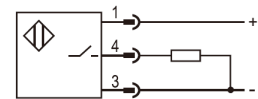
## Dimensions



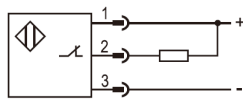
## Wiring diagram



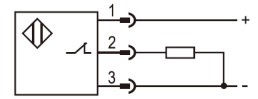
NPN NO



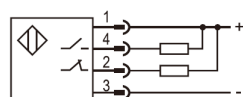
PNP NO



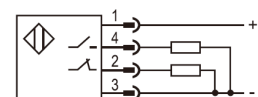
NPN NC



PNP NC



NPN NO+NC



PNP NO+NC

# CR30X series cylindrical capacitive sensor



## Feature description

- Integrated housing matches double highlighted LED indicator
- IP67 protection class which is effectively moisture-proof and dust-proof
- Enhance detection distance. Sensitivity adjustment adopts multi-turn potentiometer so as to reach higher adjustment accuracy
- High reliability, excellent EMC design with protection against short circuit, overloaded and reverse polarity
- Widely used in both metal and non-metal (plastic, powder, liquid, etc.) material testing



## Model specification

NPN NO	CR30XCN25DNOY-E2	PNP NO	CR30XCN25DPOY-E2
NPN NC	CR30XCN25DNCY-E2	PNP NC	CR30XCN25DPCY-E2
NPN NO+NC	CR30XCN25DNRY-E2	PNP NO+NC	CR30XCN25DPRY-E2

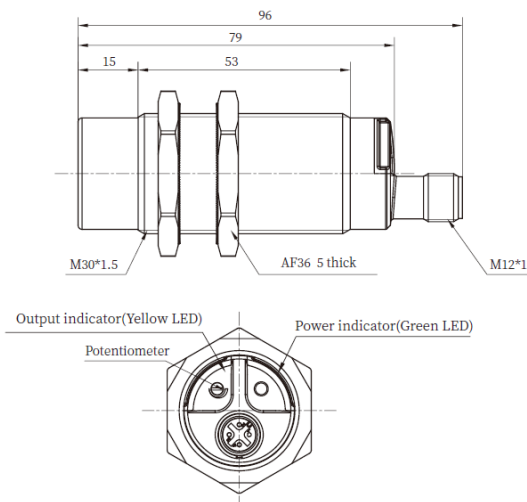
## Specifications

Installation type	Non-flush	Indicator	Output indication:Yellow LED;Power indicator:Green LED
Rated distance $S_n$	25mm <sup>①</sup>		Overload or short circuit indication:Yellow LED flashes
Ensure distance $S_a$	≤18mm	Switching frequency	25Hz
Adjust the distance	4...30mm	Ambient temperature	When working:-25...70°C(No icing, No condensation)
Adjustment method	Multi-turn potentiometer		When storing:-30...80°C(No icing, No condensation)
	(Electrical adjustment > 10)	Environment humidity	35...95%RH(No icing, No condensation)
Standard test object	Fe 75*75*1t(Grounded) <sup>②</sup>	Vibration resistant	10...55Hz,Dual amplitude 1mm(2 hours
Supply voltage	10...30VDC		each in X, Y, and Z directions)
Load current	≤200mA	Impulse withsand	30g/11ms,3 times each for X,Y,Z direction
Residual voltage	≤2V	High pressure resistant	1000V/AC 50/60Hz 60s
Consumption current	≤20mA	Insulation resistance	≥50MΩ(500VDC)
Switch point offset [%/Sr]	≤±10%	Shape specification	M30*1.5*96mm
Temperature drift [%/Sr]	≤±20%	Protection degree	IP67
Hysteresis range [%/Sr]	3...20%	Housing material	Nickel copper alloy
Repetitive error [R]	≤5%	Connection type	M12 Connector
Circuit protection	Short circuit protection, Overload protection, Reverse polarity protection	Accessories	M30 nuts×2, Slotted screwdriver, Operation manual

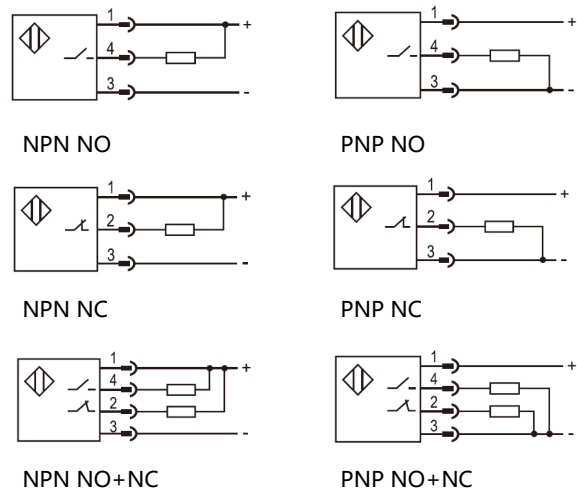
Note: ①the factory default sensing distance is  $S_n \pm 10\%$

②unit:mm

## Dimensions



## Wiring diagram



# CR30X series cylindrical capacitive sensor



## Feature description

- Integrated housing matches double highlighted LED indicator
- IP67 protection class which is effectively moisture-proof and dust-proof
- Enhance detection distance. Sensitivity adjustment adopts multi-turn potentiometer so as to reach higher adjustment accuracy
- High reliability, excellent EMC design with protection against short circuit, overloaded and reverse polarity
- Widely used in both metal and non-metal (plastic, powder, liquid, etc.) material testing



## Model specification

NPN NO	CR30XCN25DNOY	PNP NO	CR30XCN25DPOY
NPN NC	CR30XCN25DNCY	PNP NC	CR30XCN25DPCY
NPN NO+NC	CR30XCN25DNRY	PNP NO+NC	CR30XCN25DPRY

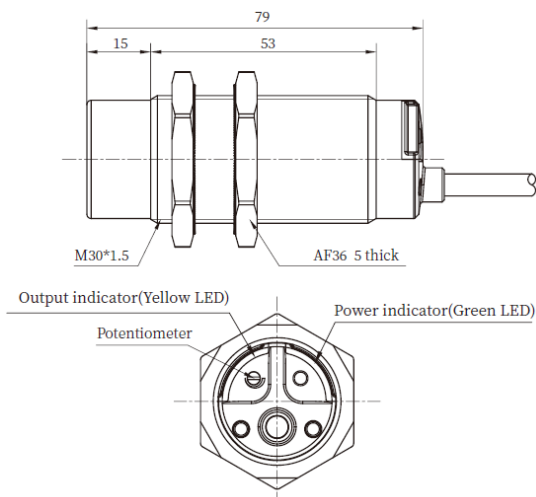
## Specifications

Installation type	Non-flush	Indicator	Output indication:Yellow LED;Power indicator:Green LED
Rated distance $S_n$	25mm <sup>①</sup>		Overload or short circuit indication:Yellow LED flashes
Ensure distance $S_a$	≤18mm	Switching frequency	25Hz
Adjust the distance	4...30mm	Ambient temperature	When working:-25...70°C(No icing, No condensation)
Adjustment method	Multi-turn potentiometer (Electrical adjustment > 10)	Environment humidity	When storing:-30...80°C(No icing, No condensation)
Standard test object	Fe 75*75*1t(Grounded) <sup>②</sup>	Vibration resistant	35...95%RH(No icing, No condensation)
Supply voltage	10...30VDC		10...55Hz,Dual amplitude 1mm(2 hours each in X, Y, and Z directions)
Load current	≤200mA	Impulse withsand	30g/11ms,3 times each for X,Y,Z direction
Residual voltage	≤2V	High pressure resistant	1000V/AC 50/60Hz 60s
Consumption current	≤20mA	Insulation resistance	≥50MΩ(500VDC)
Switch point offset [%/Sr]	≤±10%	Shape specification	M30*1.5*79mm
Temperature drift [%/Sr]	≤±20%	Protection degree	IP67
Hysteresis range [%/Sr]	3...20%	Housing material	Nickel copper alloy
Repetitive error [R]	≤5%	Connection type	2m PVC Cable
Circuit protection	Short circuit protection, Overload protection, Reverse polarity protection	Accessories	M30 nuts×2, Slotted screwdriver, Operation manual

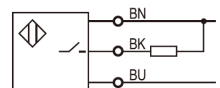
Note: ①the factory default sensing distance is  $S_n \pm 10\%$

②unit:mm

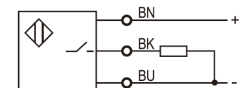
## Dimensions



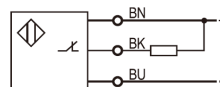
## Wiring diagram



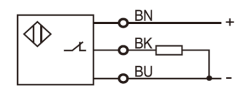
NPN NO



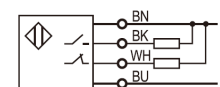
PNP NO



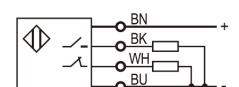
NPN NC



PNP NC



NPN NO+NC



PNP NO+NC

# CR30X series cylindrical capacitive sensor



## Feature description

- Integrated housing matches double highlighted LED indicator
- IP67 protection class which is effectively moisture-proof and dust-proof
- Enhance detection distance. Sensitivity adjustment adopts multi-turn potentiometer so as to reach higher adjustment accuracy
- High reliability, excellent EMC design with protection against short circuit, overloaded and reverse polarity
- Widely used in both metal and non-metal (plastic, powder, liquid, etc.) material testing



## Model specification

NPN NO	CR30XCF15DNOY	PNP NO	CR30XCF15DPOY
NPN NC	CR30XCF15DNCY	PNP NC	CR30XCF15DPCY
NPN NO+NC	CR30XCF15DNRY	PNP NO+NC	CR30XCF15DPRY

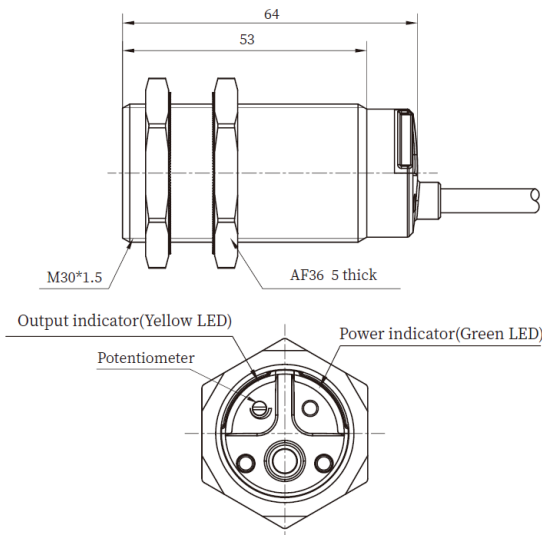
## Specifications

Installation type	Flush	Indicator	Output indication:Yellow LED;Power indicator:Green LED
Rated distance Sn	15mm <sup>①</sup>		Overload or short circuit indication:Yellow LED flashes
Ensure distance Sa	≤10.8mm	Switching frequency	25Hz
Adjust the distance	3...20mm	Ambient temperature	When working:-25...70°C(No icing, No condensation)
Adjustment method	Multi-turn potentiometer (Electrical adjustment > 10)	Environment humidity	When storing:-30...80°C(No icing, No condensation)
Standard test object	Fe 45*45*1t(Grounded) <sup>②</sup>	Vibration resistant	35...95%RH(No icing, No condensation)
Supply voltage	10...30VDC		10...55Hz,Dual amplitude 1mm(2 hours each in X, Y, and Z directions)
Load current	≤200mA	Impulse withsand	30g/11ms,3 times each for X,Y,Z direction
Residual voltage	≤2V	High pressure resistant	1000V/AC 50/60Hz 60s
Consumption current	≤20mA	Insulation resistance	≥50MΩ(500VDC)
Switch point offset [%/Sr]	≤±10%	Shape specification	M30*1.5*64mm
Temperature drift [%/Sr]	≤±20%	Protection degree	IP67
Hysteresis range [%/Sr]	3...20%	Housing material	Nickel copper alloy
Repetitive error [R]	≤5%	Connection type	2m PVC Cable
Circuit protection	Short circuit protection, Overload protection, Reverse polarity protection	Accessories	M30 nuts×2, Slotted screwdriver, Operation manual

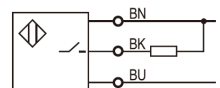
Note: ①the factory default sensing distance is Sn±10%

②unit:mm

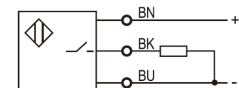
## Dimensions



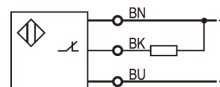
## Wiring diagram



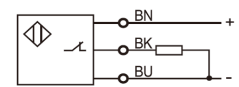
NPN NO



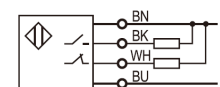
PNP NO



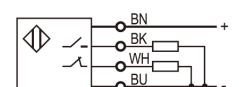
NPN NC



PNP NC



NPN NO+NC



PNP NO+NC

# CR30X series cylindrical capacitive sensor



## Feature description

- Integrated housing matches double highlighted LED indicator
- IP67 protection class which is effectively moisture-proof and dust-proof
- Enhance detection distance. Sensitivity adjustment adopts multi-turn potentiometer so as to reach higher adjustment accuracy
- High reliability, excellent EMC design with protection against short circuit, overloaded and reverse polarity
- Widely used in both metal and non-metal (plastic, powder, liquid, etc.) material testing



## Model specification

NPN NO	CR30XCF15DNOY-E2	PNP NO	CR30XCF15DPOY-E2
NPN NC	CR30XCF15DNCY-E2	PNP NC	CR30XCF15DPCY-E2
NPN NO+NC	CR30XCF15DNRY-E2	PNP NO+NC	CR30XCF15DPRY-E2

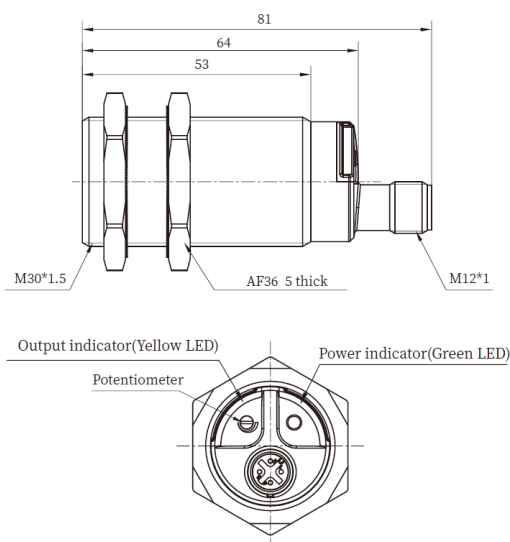
## Specifications

Installation type	Flush	Indicator	Output indication:Yellow LED;Power indicator:Green LED
Rated distance $S_n$	15mm <sup>①</sup>		Overload or short circuit indication:Yellow LED flashes
Ensure distance $S_a$	≤10.8mm	Switching frequency	25Hz
Adjust the distance	3...20mm	Ambient temperature	When working:-25...70°C(No icing, No condensation)
Adjustment method	Multi-turn potentiometer (Electrical adjustment > 10)	Environment humidity	When storing:-30...80°C(No icing, No condensation)
Standard test object	Fe 45*45*1t(Grounded) <sup>②</sup>	Vibration resistant	35...95%RH(No icing, No condensation)
Supply voltage	10...30VDC		10...55Hz,Dual amplitude 1mm(2 hours each in X, Y, and Z directions)
Load current	≤200mA	Impulse withsand	30g/11ms,3 times each for X,Y,Z direction
Residual voltage	≤2V	High pressure resistant	1000V/AC 50/60Hz 60s
Consumption current	≤20mA	Insulation resistance	≥50MΩ(500VDC)
Switch point offset [%/Sr]	≤±10%	Shape specification	M30*1.5*96mm
Temperature drift [%/Sr]	≤±20%	Protection degree	IP67
Hysteresis range [%/Sr]	3...20%	Housing material	Nickel copper alloy
Repetitive error [R]	≤5%	Connection type	M12 Connector
Circuit protection	Short circuit protection, Overload protection, Reverse polarity protection	Accessories	M30 nuts×2, Slotted screwdriver, Operation manual

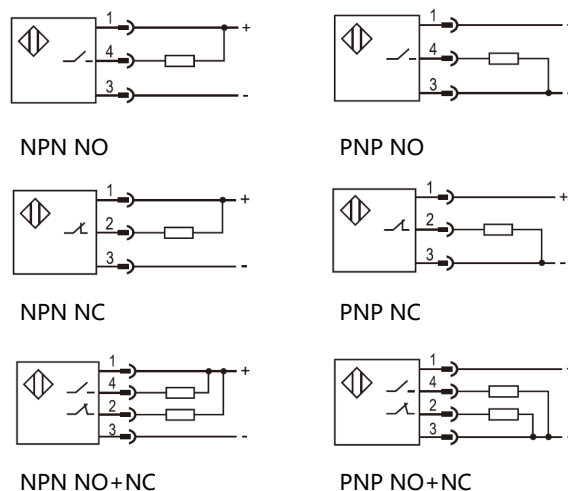
Note: ①the factory default sensing distance is  $S_n \pm 10\%$

②unit:mm

## Dimensions



## Wiring diagram



Plastic cylindrical shape capacitive sensors **CR30S** series



Features

- ◆ Be able to detect both metal and nonmetal objects;
- ◆ Extended sensing distance;
- ◆ Reliable liquid level detecting;
- ◆ Widely applied in warehouse, animal husbandry industry etc;



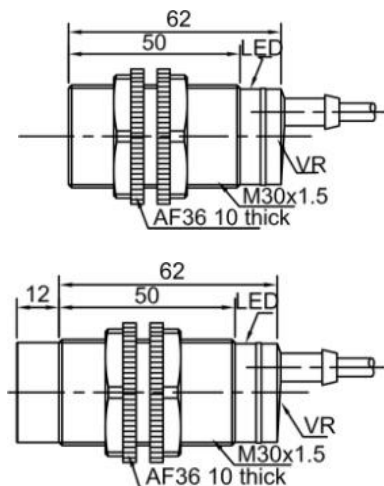
Part number

NPN NO	CR30SCF15DNOY	CR30SCN22DNOY	PNP NO	CR30SCF15DPOY	CR30SCN22DPOY
NPN NC	CR30SCF15DNCY	CR30SCN22DNCY	PNP NC	CR30SCF15DPCY	CR30SCN22DPCY
NPN NO+NC	CR30SCF15DNRY	CR30SCN22DNRY	PNP NO+NC	CR30SCF15DPRY	CR30SCN22DPRY

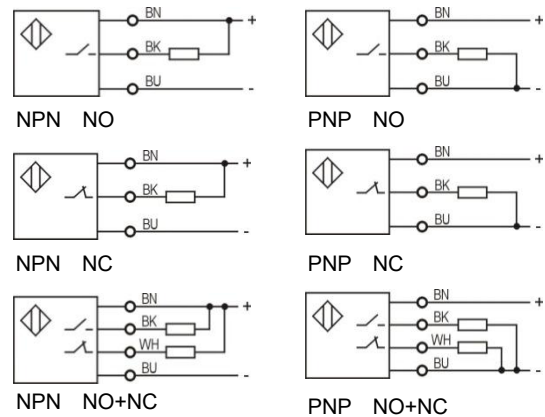
Technical specifications

Mounting	Flush	Non-flush	Consumption current	≤15mA
Rated distance [Sn]	15mm (adjustable) 22mm(adjustable)		Circuit protection	Short-circuit, overload and reverse polarity
Assured distance [Sa]	0...12mm	0...17.6mm	Output indicator	Yellow LED
Dimensions	M30*62mm	M30*74 mm	Ambient temperature	-25°C...70°C
Output	NO/NC(depends on part number)		Ambient humidity	35-95%RH
Supply voltage	10...30 VDC		Switching frequency [F]	50 Hz
Standard target	Fe 45*45*1t	Fe 66*66*1t	Voltage withstand	1000V/AC 50/60Hz 60S
Switch-point drifts [%/Sr]	≤±20%		Insulation resistance	≥50MΩ (500VDC)
Hysteresis range [%/Sr]	3...20%		Vibration resistance	10...50Hz (1.5mm)
Repeat accuracy [R]	≤5%		Degree of protection	IP67
Load current	≤200mA		Housing material	PBT
Residual voltage	≤2.5V		Connection type	2m PVC cable

Dimensions



Wiring diagram



Plastic cylindrical shape capacitive sensors **CR30S** series



Features

- ◆ Be able to detect both metal and nonmetal objects;
- ◆ Extended sensing distance;
- ◆ Reliable liquid level detecting;
- ◆ Widely applied in warehouse, animal husbandry industry etc;



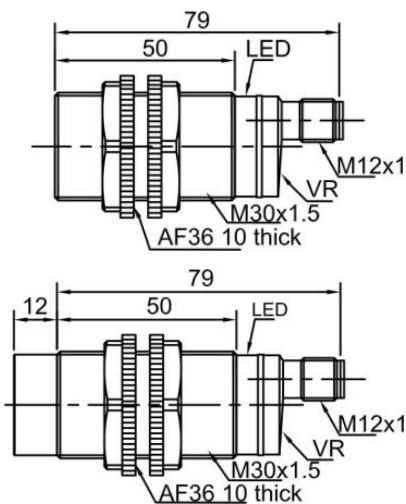
Part number

NPN NO	CR30SCF15DNOY-E2	CR30SCN22DNOY-E2	PNP NO	CR30SCF15DPOY-E2	CR30SCN22DPOY-E2
NPN NC	CR30SCF15DNCY-E2	CR30SCN22DNCY-E2	PNP NC	CR30SCF15DPCY-E2	CR30SCN22DPCY-E2
NPN NO+NC	CR30SCF15DNRY-E2	CR30SCN22DNRY-E2	PNP NO+NC	CR30SCF15DPRY-E2	CR30SCN22DPRY-E2

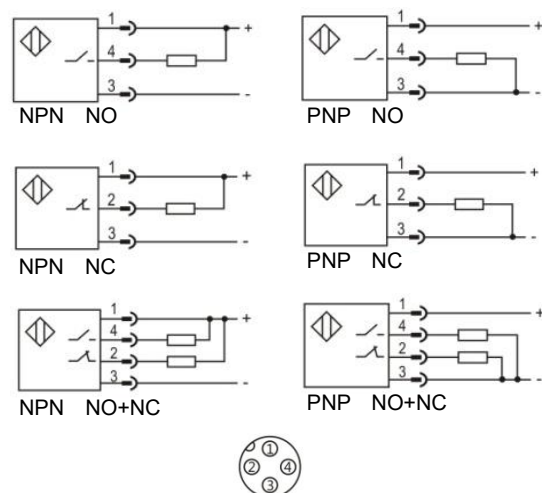
Technical specifications

Mounting	Flush	Non-flush	Consumption current	≤15mA
Rated distance [Sn]	15mm (adjustable) 22mm(adjustable)		Circuit protection	Short-circuit, overload and reverse polarity
Assured distance [Sa]	0...12mm	0...17.6mm	Output indicator	Yellow LED
Dimensions	M30*79mm	M30*91 mm	Ambient temperature	-25°C...70°C
Output	NO/NC(depends on part number)		Ambient humidity	35-95%RH
Supply voltage	10...30 VDC		Switching frequency [F]	50 Hz
Standard target	Fe 45*45*1t	Fe 66*66*1t	Voltage withstand	1000V/AC 50/60Hz 60S
Switch-point drifts [%/Sr]	≤±20%		Insulation resistance	≥50MΩ (500VDC)
Hysteresis range [%/Sr]	3...20%		Vibration resistance	10...50Hz (1.5mm)
Repeat accuracy [R]	≤5%		Degree of protection	IP67
Load current	≤200mA		Housing material	PBT
Residual voltage	≤2.5V		Connection type	M12 connector

Dimensions



Wiring diagram



# CR18X series cylindrical capacitive sensor



## Feature description

- Integrated housing matches double highlighted LED indicator
- IP67 protection class which is effectively moisture-proof and dust-proof
- The maximum operating voltage can be 40VDS which can effectively prevent the influence from power ripple
- Enhance detection distance. Sensitivity adjustment adopts multi-turn potentiometer so as to reach higher adjustment accuracy
- High reliability, excellent EMC design with protection against short circuit, overloaded and reverse polarity
- Widely used in both metal and non-metal (plastic, powder, liquid, etc.) material testing

## Model specification

NPN NO	CR18XCF08DNOY-E2	PNP NO	CR18XCF08DPOY-E2
NPN NC	CR18XCF08DNCY-E2	PNP NC	CR18XCF08DPCY-E2
NPN NO+NC	CR18XCF08DNRY-E2	PNP NO+NC	CR18XCF08DPRY-E2

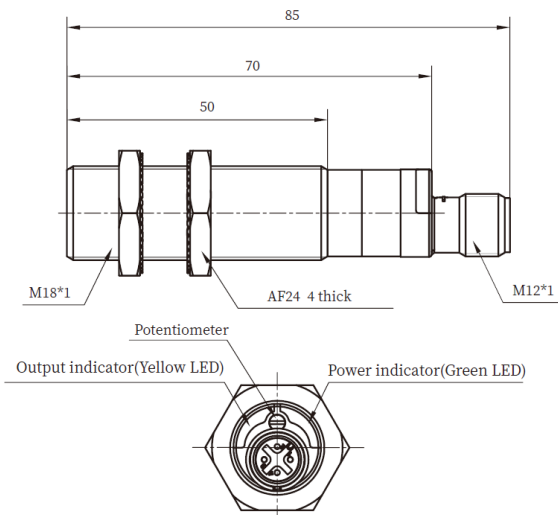
## Specifications

Installation type	Flush	Indicator	Output indication:Yellow LED;Power indicator:Green LED
Rated distance Sn	8mm <sup>①</sup>		Overload or short circuit indication:Yellow LED flashes
Ensure distance Sa	≤5.76mm	Switching frequency	25Hz
Adjust the distance	3...12mm	Ambient temperature	When working:-25...70°C(No icing, No condensation)
Adjustment method	Multi-turn potentiometer		When storing:-30...80°C(No icing, No condensation)
	(Electrical adjustment > 10)	Environment humidity	35...95%RH(No icing, No condensation)
Standard test object	Fe 24*24*1t(Grounded) <sup>②</sup>	Vibration resistant	10...55Hz,Dual amplitude 1mm(2 hours
Supply voltage	10...30VDC		each in X, Y, and Z directions)
Load current	≤200mA	Impulse withsand	30g/11ms,3 times each for X,Y,Z direction
Residual voltage	≤2V	High pressure resistant	1000V/AC 50/60Hz 60s
Consumption current	≤20mA	Insulation resistance	≥50MΩ(500VDC)
Switch point offset [%/Sn]	±10%	Shape specification	M18*1*85mm
Temperature drift [%/Sr]	±20%	Protection degree	IP67
Hysteresis range [%/Sr]	3...20%	Housing material	Nickel copper alloy
Repetitive error [R]	≤5%	Connection type	M12 Connector
Circuit protection	Short circuit protection, Overload protection, Reverse polarity protection	Accessories	M18 nuts×2, Slotted screwdriver, Operation manual

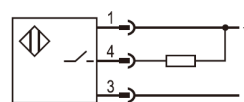
Note: ①the factory default sensing distance is Sn±10%

②unit:mm

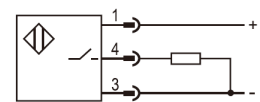
## Dimensions



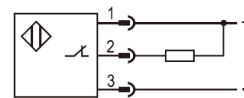
## Wiring diagram



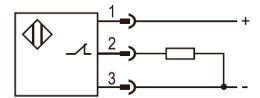
NPN NO



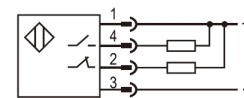
PNP NO



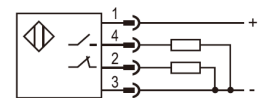
NPN NC



PNP NC



NPN NO+NC



PNP NO+NC

# CR18X series cylindrical capacitive sensor



## Feature description

- Integrated housing matches double highlighted LED indicator
- IP67 protection class which is effectively moisture-proof and dust-proof
- The maximum operating voltage can be 40VDS which can effectively prevent the influence from power ripple
- Enhance detection distance. Sensitivity adjustment adopts multi-turn potentiometer so as to reach higher adjustment accuracy
- High reliability, excellent EMC design with protection against short circuit, overloaded and reverse polarity
- Widely used in both metal and non-metal (plastic, powder, liquid, etc.) material testing



## Model specification

NPN NO	CR18XCN12DNOY	PNP NO	CR18XCN12DPOY
NPN NC	CR18XCN12DNKY	PNP NC	CR18XCN12DKPY
NPN NO+NC	CR18XCN12DNRY	PNP NO+NC	CR18XCN12DPRY

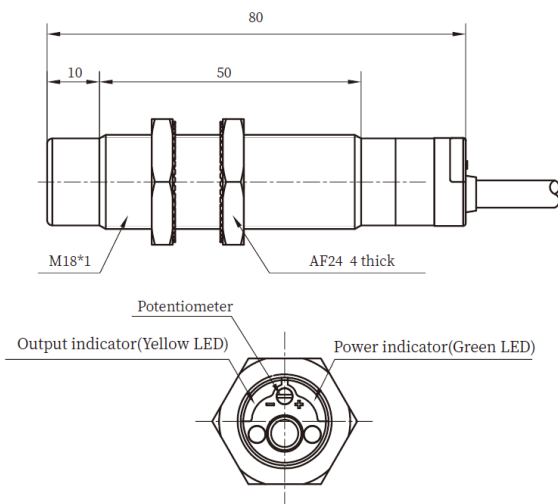
## Specifications

Installation type	Non-flush	Indicator	Output indication:Yellow LED;Power indicator:Green LED
Rated distance $S_n$	12mm <sup>①</sup>		Overload or short circuit indication:Yellow LED flashes
Ensure distance $S_a$	≤8.64mm	Switching frequency	35Hz
Adjust the distance	3...15mm	Ambient temperature	When working:-25...70°C(No icing, No condensation)
Adjustment method	Multi-turn potentiometer (Electrical adjustment > 10)	Environment humidity	When storing:-30...80°C(No icing, No condensation)
Standard test object	Fe 36*36*1t(Grounded) <sup>②</sup>	Vibration resistant	10...55Hz,Dual amplitude 1mm(2 hours each in X, Y, and Z directions)
Supply voltage	10...30VDC	Impulse withsand	30g/11ms,3 times each for X,Y,Z direction
Load current	≤200mA	High pressure resistant	1000V/AC 50/60Hz 60s
Residual voltage	≤2V	Insulation resistance	≥50MΩ(500VDC)
Consumption current	≤20mA	Shape specification	M18*1*80mm
Switch point offset [%/Sn]	±10%	Protection degree	IP67
Temperature drift [%/Sr]	±20%	Housing material	Nickel copper alloy
Hysteresis range [%/Sr]	3...20%	Connection type	2m PVC Cable
Repetitive error [R]	≤5%	Accessories	M18 nuts×2, Slotted screwdriver, Operation manual
Circuit protection	Short circuit protection, Overload protection, Reverse polarity protection		

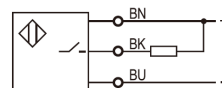
Note: ①the factory default sensing distance is  $S_n \pm 10\%$

②unit:mm

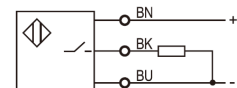
## Dimensions



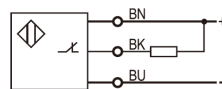
## Wiring diagram



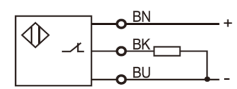
NPN NO



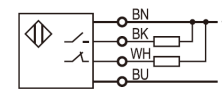
PNP NO



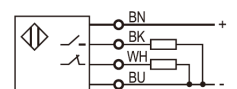
NPN NC



PNP NC



NPN NO+NC



PNP NO+NC

# CR18X series cylindrical capacitive sensor

## Feature description



- Integrated housing matches double highlighted LED indicator
- IP67 protection class which is effectively moisture-proof and dust-proof
- The maximum operating voltage can be 40VDS which can effectively prevent the influence from power ripple
- Enhance detection distance. Sensitivity adjustment adopts multi-turn potentiometer so as to reach higher adjustment accuracy
- High reliability, excellent EMC design with protection against short circuit, overloaded and reverse polarity
- Widely used in both metal and non-metal (plastic, powder, liquid, etc.) material testing



## Model specification

NPN NO	CR18XCF08DNOY	PNP NO	CR18XCF08DPOY
NPN NC	CR18XCF08DNCY	PNP NC	CR18XCF08DPCY
NPN NO+NC	CR18XCF08DNRY	PNP NO+NC	CR18XCF08DPRY

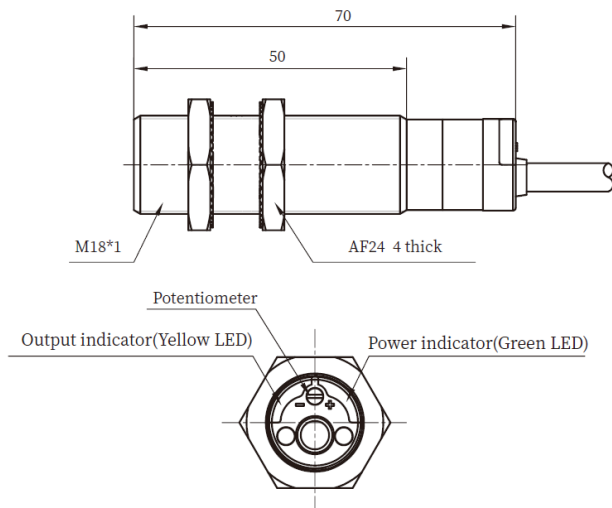
## Specifications

Installation type	Flush	Indicator	Output indication:Yellow LED;Power indicator:Green LED
Rated distance Sn	8mm <sup>Ⓢ</sup>		Overload or short circuit indication:Yellow LED flashes
Ensure distance Sa	≤5.76mm	Switching frequency	25Hz
Adjust the distance	3...12mm	Ambient temperature	When working:-25...70°C(No icing, No condensation)
Adjustment method	Multi-turn potentiometer (Electrical adjustment > 10)	Environment humidity	When storing:-30...80°C(No icing, No condensation)
Standard test object	Fe 24*24*1t(Grounded) <sup>Ⓢ</sup>	Vibration resistant	10...55Hz,Dual amplitude 1mm(2 hours each in X, Y, and Z directions)
Supply voltage	10...30VDC	Impulse withsand	30g/11ms,3 times each for X,Y,Z direction
Load current	≤200mA	High pressure resistant	1000V/AC 50/60Hz 60s
Residual voltage	≤2V	Insulation resistance	≥50MΩ(500VDC)
Consumption current	≤20mA	Shape specification	M18*1*70mm
Switch point offset [%/Sn]	±10%	Protection degree	IP67
Temperature drift [%/Sr]	±20%	Housing material	Nickel copper alloy
Hysteresis range [%/Sr]	3...20%	Connection type	2m PVC Cable
Repetitive error [R]	≤5%	Accessories	M18 nuts×2, Slotted screwdriver, Operation manual
Circuit protection	Short circuit protection, Overload protection, Reverse polarity protection		

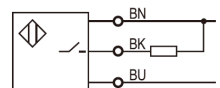
Note: <sup>Ⓢ</sup>the factory default sensing distance is Sn±10%

<sup>Ⓢ</sup>unit:mm

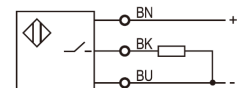
## Dimensions



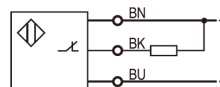
## Wiring diagram



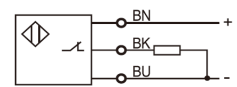
NPN NO



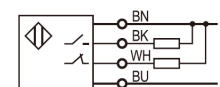
PNP NO



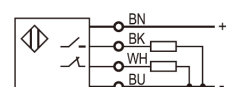
NPN NC



PNP NC



NPN NO+NC



PNP NO+NC

# CR18X series cylindrical capacitive sensor



## Feature description

- Integrated housing matches double highlighted LED indicator
- IP67 protection class which is effectively moisture-proof and dust-proof
- The maximum operating voltage can be 40VDS which can effectively prevent the influence from power ripple
- Enhance detection distance. Sensitivity adjustment adopts multi-turn potentiometer so as to reach higher adjustment accuracy
- High reliability, excellent EMC design with protection against short circuit, overloaded and reverse polarity
- Widely used in both metal and non-metal (plastic, powder, liquid, etc.) material testing



## Model specification

NPN NO	CR18XCN12DNOY-E2	PNP NO	CR18XCN12DPOY-E2
NPN NC	CR18XCN12DNCY-E2	PNP NC	CR18XCN12DPCY-E2
NPN NO+NC	CR18XCN12DNRY-E2	PNP NO+NC	CR18XCN12DPRY-E2

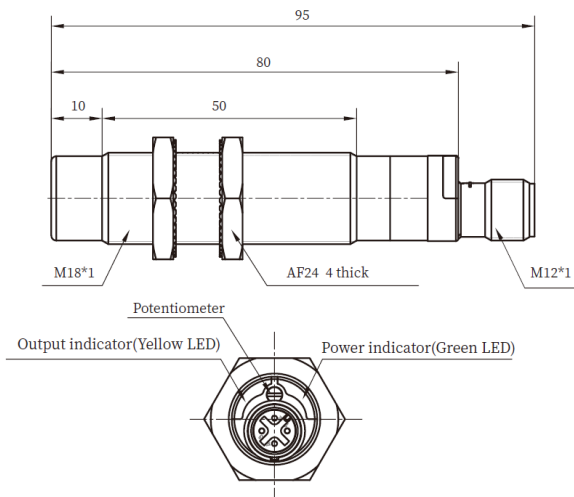
## Specifications

Installation type	Non-flush	Indicator	Output indication:Yellow LED;Power indicator:Green LED
Rated distance Sn	12mm <sup>ⓐ</sup>		Overload or short circuit indication:Yellow LED flashes
Ensure distance Sa	≤8.64mm	Switching frequency	35Hz
Adjust the distance	3...15mm	Ambient temperature	When working:-25...70°C(No icing, No condensation)
Adjustment method	Multi-turn potentiometer (Electrical adjustment > 10)		When storing:-30...80°C(No icing, No condensation)
Standard test object	Fe 36*36*1t(Grounded) <sup>ⓐ</sup>	Environment humidity	35...95%RH(No icing, No condensation)
Supply voltage	10...30VDC	Vibration resistant	10...55Hz,Dual amplitude 1mm(2 hours each in X, Y, and Z directions)
Load current	≤200mA	Impulse withsand	30g/11ms,3 times each for X,Y,Z direction
Residual voltage	≤2V	High pressure resistant	1000V/AC 50/60Hz 60s
Consumption current	≤20mA	Insulation resistance	≥50MΩ(500VDC)
Switch point offset [%/Sn]	±10%	Shape specification	M18*1*95mm
Temperature drift [%/Sr]	±20%	Protection degree	IP67
Hysteresis range [%/Sr]	3...20%	Housing material	Nickel copper alloy
Repetitive error [R]	≤5%	Connection type	M12 Connector
Circuit protection	Short circuit protection, Overload protection, Reverse polarity protection	Accessories	M18 nuts×2, Slotted screwdriver, Operation manual

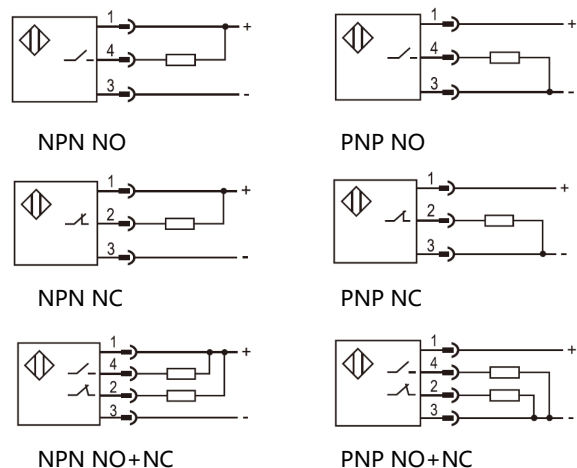
Note: <sup>ⓐ</sup>the factory default sensing distance is Sn±10%

<sup>ⓐ</sup>unit:mm

## Dimensions



## Wiring diagram



# CR18XS series cylindrical capacitive sensor



## Feature description

- Integrated housing matches double highlighted LED indicator
- IP68 protection class which is effectively moisture-proof and dust-proof
- The maximum operating voltage can be 40VDS which can effectively prevent the influence from power ripple
- Enhance detection distance. Sensitivity adjustment adopts multi-turn potentiometer so as to reach higher adjustment accuracy
- High reliability, excellent EMC design with protection against short circuit, overloaded and reverse polarity
- Widely used in both metal and non-metal (plastic, powder, liquid, etc.) material testing



## Model specification

NPN NO	CR18XSCF08DNOY-E2	PNP NO	CR18XSCF08DPOY-E2
NPN NC	CR18XSCF08DNCY-E2	PNP NC	CR18XSCF08DPCY-E2
NPN NO+NC	CR18XSCF08DNRY-E2	PNP NO+NC	CR18XSCF08DPRY-E2

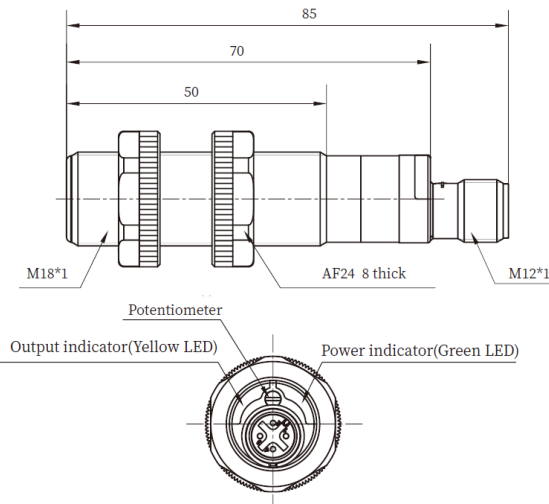
## Specifications

Installation type	Flush	Indicator	Output indication:Yellow LED;Power indicator:Green LED
Rated distance Sn	8mm <sup>①</sup>		Overload or short circuit indication:Yellow LED flashes
Ensure distance Sa	≤5.76mm	Switching frequency	20Hz
Adjust the distance	3...12mm	Ambient temperature	When working:-25...70°C(No icing, No condensation)
Adjustment method	Multi-turn potentiometer (Electrical adjustment > 10)	Environment humidity	When storing:-30...80°C(No icing, No condensation)
Standard test object	Fe 24*24*1t(Grounded) <sup>②</sup>	Vibration resistant	10...55Hz,Dual amplitude 1mm(2 hours
Supply voltage	10...30VDC		each in X, Y, and Z directions)
Load current	≤200mA	Impulse withsand	30g/11ms,3 times each for X,Y,Z direction
Residual voltage	≤2V	High pressure resistant	1000V/AC 50/60Hz 60s
Consumption current	≤20mA	Insulation resistance	≥50MΩ(500VDC)
Switch point offset [%/Sn]	≤±10%	Shape specification	M18*1*85mm
Temperature drift [%/Sr]	≤±20%	Protection degree	IP68
Hysteresis range [%/Sr]	3...20%	Housing material	PBT
Repetitive error [R]	≤5%	Connection type	M12 Connector
Circuit protection	Short circuit protection, Overload protection, Reverse polarity protection	Accessories	M18 nuts×2, Slotted screwdriver, Operation manual

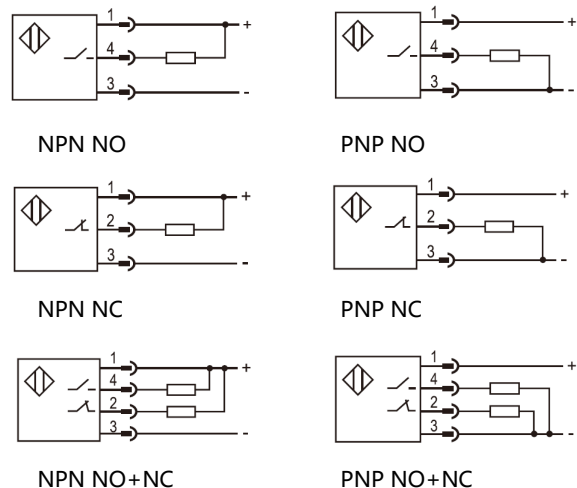
Note: ①the factory default sensing distance is Sn±10%

②unit:mm

## Dimensions



## Wiring diagram



# CR18XS series cylindrical capacitive sensor



## Feature description

- Integrated housing matches double highlighted LED indicator
- IP68 protection class which is effectively moisture-proof and dust-proof
- The maximum operating voltage can be 40VDS which can effectively prevent the influence from power ripple
- Enhance detection distance. Sensitivity adjustment adopts multi-turn potentiometer so as to reach higher adjustment accuracy
- High reliability, excellent EMC design with protection against short circuit, overloaded and reverse polarity
- Widely used in both metal and non-metal (plastic, powder, liquid, etc.) material testing



## Model specification

NPN NO	CR18XSCN12DNOY	PNP NO	CR18XSCN12DPOY
NPN NC	CR18XSCN12DNKY	PNP NC	CR18XSCN12DPKY
NPN NO+NC	CR18XSCN12DNRY	PNP NO+NC	CR18XSCN12DPRY

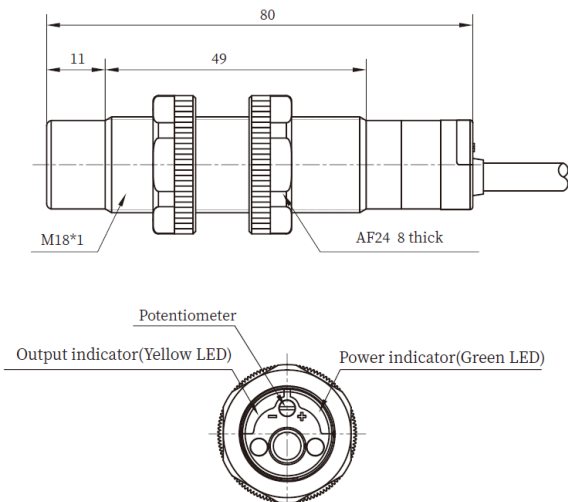
## Specifications

Installation type	Non-flush	Indicator	Output indication:Yellow LED;Power indicator:Green LED
Rated distance Sn	12mm <sup>ⓐ</sup>		Overload or short circuit indication:Yellow LED flashes
Ensure distance Sa	≤8.64mm	Switching frequency	25Hz
Adjust the distance	3...15mm	Ambient temperature	When working:-25...70°C(No icing, No condensation)
Adjustment method	Multi-turn potentiometer (Electrical adjustment > 10)	Environment humidity	When storing:-30...80°C(No icing, No condensation)
Standard test object	Fe 36*36*1t(Grounded) <sup>ⓐ</sup>	Vibration resistant	35...95%RH(No icing, No condensation)
Supply voltage	10...30VDC		10...55Hz,Dual amplitude 1mm(2 hours each in X, Y, and Z directions)
Load current	≤200mA	Impulse withsand	30g/11ms,3 times each for X,Y,Z direction
Residual voltage	≤2V	High pressure resistant	1000V/AC 50/60Hz 60s
Consumption current	≤20mA	Insulation resistance	≥50MΩ(500VDC)
Switch point offset [%/Sn]	≤±10%	Shape specification	M18*1*80mm
Temperature drift [%/Sr]	≤±20%	Protection degree	IP68
Hysteresis range [%/Sr]	3...20%	Housing material	PBT
Repetitive error [R]	≤5%	Connection type	2m PVC Cable
Circuit protection	Short circuit protection, Overload protection, Reverse polarity protection	Accessories	M18 nuts×2, Slotted screwdriver, Operation manual

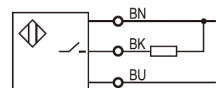
Note: <sup>ⓐ</sup>the factory default sensing distance is Sn±10%

<sup>ⓐ</sup>unit:mm

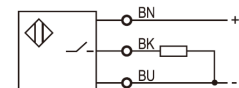
## Dimensions



## Wiring diagram



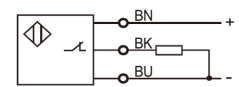
NPN NO



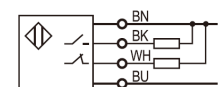
PNP NO



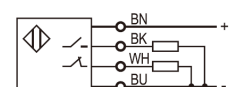
NPN NC



PNP NC



NPN NO+NC



PNP NO+NC

# CR18XS series cylindrical capacitive sensor



## Feature description

- Integrated housing matches double highlighted LED indicator
- IP68 protection class which is effectively moisture-proof and dust-proof
- The maximum operating voltage can be 40VDS which can effectively prevent the influence from power ripple
- Enhance detection distance. Sensitivity adjustment adopts multi-turn potentiometer so as to reach higher adjustment accuracy
- High reliability, excellent EMC design with protection against short circuit, overloaded and reverse polarity
- Widely used in both metal and non-metal (plastic, powder, liquid, etc.) material testing



## Model specification

NPN NO	CR18XSCN12DNOY-E2	PNP NO	CR18XSCN12DPOY-E2
NPN NC	CR18XSCN12DNCY-E2	PNP NC	CR18XSCN12DPCY-E2
NPN NO+NC	CR18XSCN12DNRY-E2	PNP NO+NC	CR18XSCN12DPRY-E2

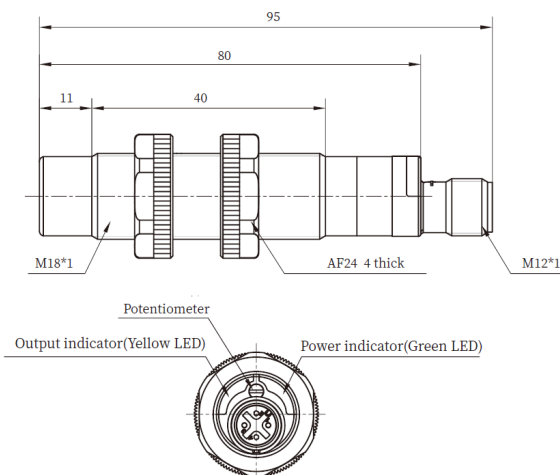
## Specifications

Installation type	Non-flush	Indicator	Output indication:Yellow LED;Power indicator:Green LED
Rated distance $S_n$	12mm <sup>ⓐ</sup>		Overload or short circuit indication:Yellow LED flashes
Ensure distance $S_a$	≤8.64mm	Switching frequency	25Hz
Adjust the distance	3...15mm	Ambient temperature	When working:-25...70°C(No icing, No condensation)
Adjustment method	Multi-turn potentiometer		When storing:-30...80°C(No icing, No condensation)
	(Electrical adjustment > 10)	Environment humidity	35...95%RH(No icing, No condensation)
Standard test object	Fe 36*36*1t(Grounded) <sup>ⓐ</sup>	Vibration resistant	10...55Hz,Dual amplitude 1mm(2 hours
Supply voltage	10...30VDC		each in X, Y, and Z directions)
Load current	≤200mA	Impulse withsand	30g/11ms,3 times each for X,Y,Z direction
Residual voltage	≤2V	High pressure resistant	1000V/AC 50/60Hz 60s
Consumption current	≤20mA	Insulation resistance	≥50MΩ(500VDC)
Switch point offset [%/Sn]	±10%	Shape specification	M18*1*95mm
Temperature drift [%/Sr]	±20%	Protection degree	IP68
Hysteresis range [%/Sr]	3...20%	Housing material	PBT
Repetitive error [R]	≤5%	Connection type	M12 Connector
Circuit protection	Short circuit protection, Overload protection, Reverse polarity protection	Accessories	M18 nuts×2, Slotted screwdriver, Operation manual

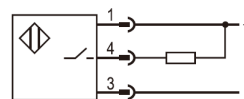
Note: <sup>ⓐ</sup>the factory default sensing distance is  $S_n \pm 10\%$

<sup>ⓐ</sup>unit:mm

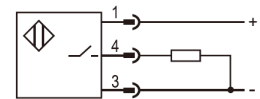
## Dimensions



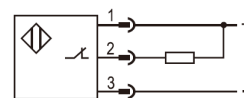
## Wiring diagram



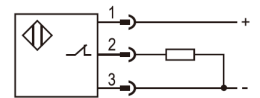
NPN NO



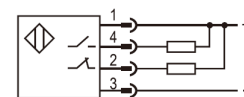
PNP NO



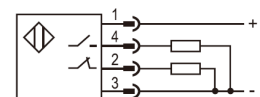
NPN NC



PNP NC



NPN NO+NC



PNP NO+NC

# CR18XS series cylindrical capacitive sensor

## Feature description



- Integrated housing matches double highlighted LED indicator
- IP68 protection class which is effectively moisture-proof and dust-proof
- The maximum operating voltage can be 40VDS which can effectively prevent the influence from power ripple
- Enhance detection distance. Sensitivity adjustment adopts multi-turn potentiometer so as to reach higher adjustment accuracy
- High reliability, excellent EMC design with protection against short circuit, overloaded and reverse polarity
- Widely used in both metal and non-metal (plastic, powder, liquid, etc.) material testing



## Model specification

NPN NO	CR18XSCF08DNOY	PNP NO	CR18XSCF08DPOY
NPN NC	CR18XSCF08DNKY	PNP NC	CR18XSCF08DPKY
NPN NO+NC	CR18XSCF08DNRY	PNP NO+NC	CR18XSCF08DPRY

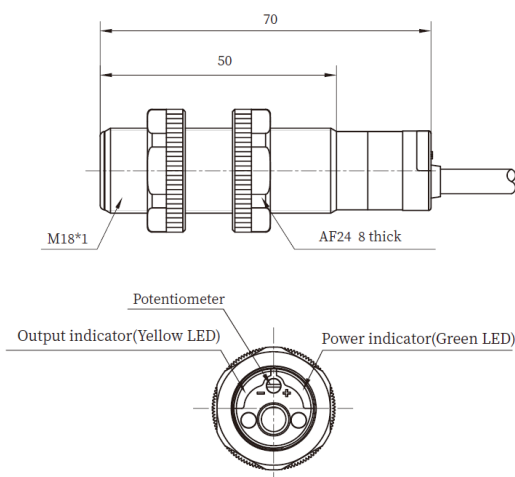
## Specifications

Installation type	Flush	Indicator	Output indication:Yellow LED;Power indicator:Green LED
Rated distance Sn	8mm <sup>①</sup>		Overload or short circuit indication:Yellow LED flashes
Ensure distance Sa	≤5.76mm	Switching frequency	20Hz
Adjust the distance	3...12mm	Ambient temperature	When working:-25...70°C(No icing, No condensation)
Adjustment method	Multi-turn potentiometer (Electrical adjustment > 10)	Environment humidity	When storing:-30...80°C(No icing, No condensation)
Standard test object	Fe 24*24*1t(Grounded) <sup>②</sup>	Vibration resistant	35...95%RH(No icing, No condensation)
Supply voltage	10...30VDC		10...55Hz,Dual amplitude 1mm(2 hours each in X, Y, and Z directions)
Load current	≤200mA	Impulse withsand	30g/11ms,3 times each for X,Y,Z direction
Residual voltage	≤2V	High pressure resistant	1000V/AC 50/60Hz 60s
Consumption current	≤20mA	Insulation resistance	≥50MΩ(500VDC)
Switch point offset [%/Sn]	≤±10%	Shape specification	M18*1*70mm
Temperature drift [%/Sr]	≤±20%	Protection degree	IP68
Hysteresis range [%/Sr]	3...20%	Housing material	PBT
Repetitive error [R]	≤5%	Connection type	2m PVC Cable
Circuit protection	Short circuit protection, Overload protection, Reverse polarity protection	Accessories	M18 nuts×2, Slotted screwdriver, Operation manual

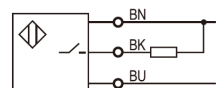
Note: ①the factory default sensing distance is Sn±10%

②unit:mm

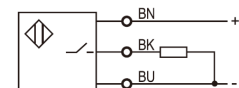
## Dimensions



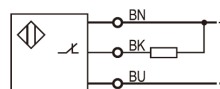
## Wiring diagram



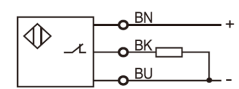
NPN NO



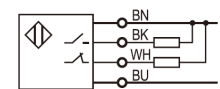
PNP NO



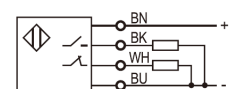
NPN NC



PNP NC



NPN NO+NC



PNP NO+NC

# Cylindrical capacitive sensor CR12XS series



## Feature description

- One-piece housing with high-brightness LED indicator
- IP68 protection class which is effectively moisture-proof and dust-proof
- Enhance detection distance. Sensitivity adjustment adopts multi-turn potentiometer so as to reach higher adjustment accuracy
- High reliability, excellent EMC design with protection against short circuit, overloaded and reverse polarity
- Widely used in both metal and non-metal (plastic, powder, liquid, etc.) material testing



## Model specification

NPN NO	CR12XSCN08DNOY	PNP NO	CR12XSCN08DPOY
NPN NC	CR12XSCN08DNCY	PNP NC	CR12XSCN08DPCY

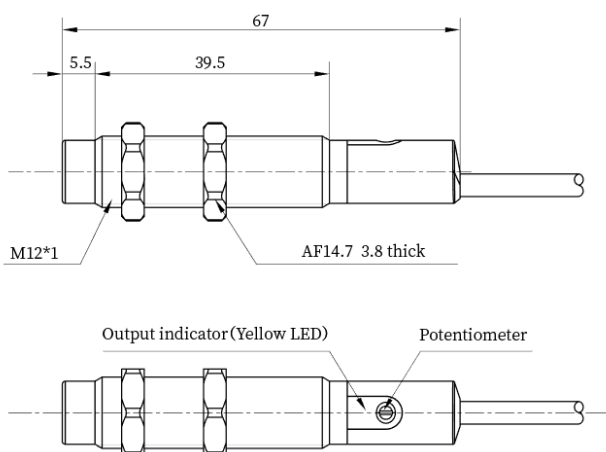
## Specifications

Installation type	Non-flush	Indicator	Output indication:Yellow LED
Rated distance $S_n$	8mm <sup>①</sup>	Switching frequency	20Hz
Ensure distance $S_a$	≤5.76mm	Ambient temperature	When working:-25...70°C(No icing, No condensation)
Adjust the distance	3...12mm		When storing:-30...80°C(No icing, No condensation)
Adjustment method	Single-turn potentiometer	Environment humidity	35...95%RH(No icing, No condensation)
Standard test object	Fe 24*24*1t(Grounded) <sup>②</sup>	Vibration resistant	10...55Hz,Dual amplitude 1mm(2 hours each in X, Y, and Z directions)
Supply voltage	10...30VDC	Impulse withsand	30g/11ms,3 times each for X,Y,Z direction
Load current	≤200mA	High pressure resistant	1000V/AC 50/60Hz 60s
Residual voltage	≤2V	Insulation resistance	≥50MΩ(500VDC)
Consumption current	≤20mA	Shape specification	M12*1*67mm
Switch point offset [%/Sn]	±10%	Protection degree	IP68
Temperature drift [%/Sr]	±20%	Housing material	PBT
Hysteresis range [%/Sr]	3...20%	Connection type	2m PVC Cable
Repetitive error [R]	≤5%	Accessories	M12 nuts×2, Slotted screwdriver, Operation manual
Circuit protection	Short circuit protection, Overload protection, Reverse polarity protection		

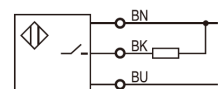
Note: ①the factory default sensing distance is  $S_n \pm 10\%$

②unit:mm

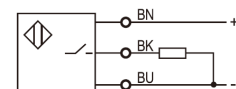
## Dimensions



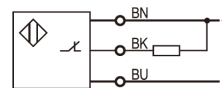
## Wiring diagram



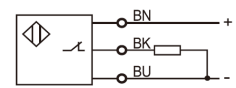
NPN NO



PNP NO



NPN NC



PNP NC

# Cylindrical capacitive sensor CR12XS series



## Feature description

- One-piece housing with high-brightness LED indicator
- IP68 protection class which is effectively moisture-proof and dust-proof
- Enhance detection distance. Sensitivity adjustment adopts multi-turn potentiometer so as to reach higher adjustment accuracy
- High reliability, excellent EMC design with protection against short circuit, overloaded and reverse polarity
- Widely used in both metal and non-metal (plastic, powder, liquid, etc.) material testing



## Model specification

NPN NO	CR12XSCN08DNOY-E2	PNP NO	CR12XSCN08DPOY-E2
NPN NC	CR12XSCN08DNCY-E2	PNP NC	CR12XSCN08DPCY-E2

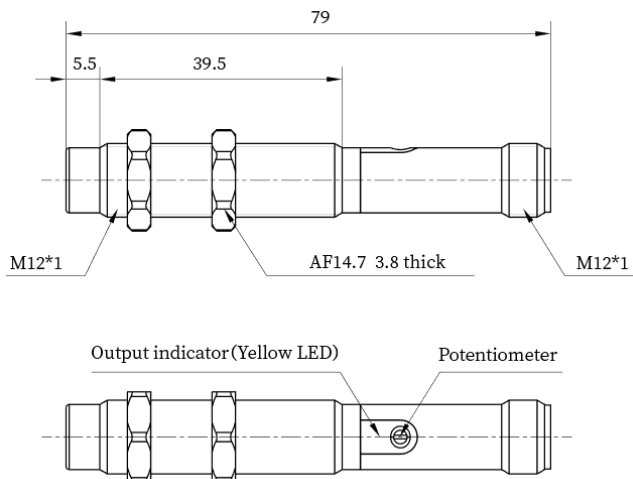
## Specifications

Installation type	Non-flush	Indicator	Output indication:Yellow LED
Rated distance Sn	8mm <sup>①</sup>	Switching frequency	20Hz
Ensure distance Sa	≤5.76mm	Ambient temperature	When working:-25...70°C(No icing, No condensation)
Adjust the distance	3...12mm		When storing:-30...80°C(No icing, No condensation)
Adjustment method	Single-turn potentiometer	Environment humidity	35...95%RH(No icing, No condensation)
Standard test object	Fe 24*24*1t(Grounded) <sup>②</sup>	Vibration resistant	10...55Hz,Dual amplitude 1mm(2 hours each in X, Y, and Z directions)
Supply voltage	10...30VDC	Impulse withstand	30g/11ms,3 times each for X,Y,Z direction
Load current	≤200mA	High pressure resistant	1000V/AC 50/60Hz 60s
Residual voltage	≤2V	Insulation resistance	≥50MΩ(500VDC)
Consumption current	≤20mA	Shape specification	M12*1*79mm
Switch point offset [%/Sn]	≤±10%	Protection degree	IP68
Temperature drift [%/Sr]	≤±20%	Housing material	PBT
Hysteresis range [%/Sr]	3...20%	Connection type	M12 Connector
Repetitive error [R]	≤5%	Accessories	M12 nuts×2, Slotted screwdriver, Operation manual
Circuit protection	Short circuit protection, Overload protection, Reverse polarity protection		

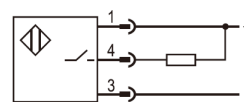
Note: ①the factory default sensing distance is Sn±10%

②unit:mm

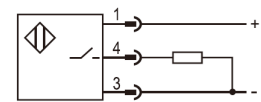
## Dimensions



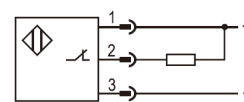
## Wiring diagram



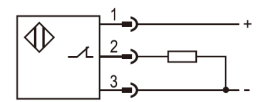
NPN NO



PNP NO



NPN NC



PNP NC

# Cylindrical capacitive sensor CR12XS series



## Feature description

- One-piece housing with high-brightness LED indicator
- IP68 protection class which is effectively moisture-proof and dust-proof
- Enhance detection distance. Sensitivity adjustment adopts multi-turn potentiometer so as to reach higher adjustment accuracy
- High reliability, excellent EMC design with protection against short circuit, overloaded and reverse polarity
- Widely used in both metal and non-metal (plastic, powder, liquid, etc.) material testing



## Model specification

NPN NO	CR12XSCF04DNOY-E2	PNP NO	CR12XSCF04DPOY-E2
NPN NC	CR12XSCF04DNCY-E2	PNP NC	CR12XSCF04DPCY-E2

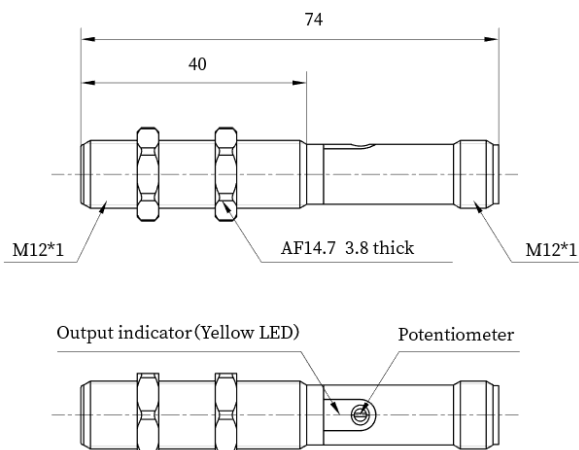
## Specifications

Installation type	Flush	Indicator	Output indication:Yellow LED
Rated distance Sn	4mm <sup>①</sup>	Switching frequency	20Hz
Ensure distance Sa	≤2.88mm	Ambient temperature	When working:-25...70°C(No icing, No condensation)
Adjust the distance	1...6 mm		When storing:-30...80°C(No icing, No condensation)
Adjustment method	Single-turn potentiometer	Environment humidity	35...95%RH(No icing, No condensation)
Standard test object	Fe 12*12*1t(Grounded) <sup>②</sup>	Vibration resistant	10...55Hz,Dual amplitude 1mm(2 hours
Supply voltage	10...30VDC		each in X, Y, and Z directions)
Load current	≤200mA	Impulse withsand	30g/11ms,3 times each for X,Y,Z direction
Residual voltage	≤2V	High pressure resistant	1000V/AC 50/60Hz 60s
Consumption current	≤20mA	Insulation resistance	≥50MΩ(500VDC)
Switch point offset [%/Sn]	≤±10%	Shape specification	M12*1*74mm
Temperature drift [%/Sr]	≤±20%	Protection degree	IP68
Hysteresis range [%/Sr]	3...20%	Housing material	PBT
Repetitive error [R]	≤5%	Connection type	M12 Connector
Circuit protection	Short circuit protection, Overload protection, Reverse polarity protection	Accessories	M12 nuts×2, Slotted screwdriver, Operation manual

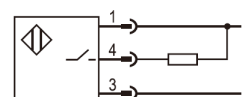
Note: ①the factory default sensing distance is Sn±10%

②unit:mm

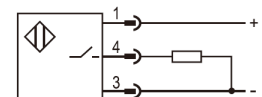
## Dimensions



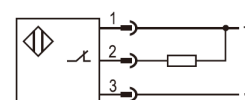
## Wiring diagram



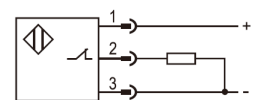
NPN NO



PNP NO



NPN NC



PNP NC

# cylindrical capacitive sensor CR12XS series



## Feature description

- One-piece housing with high-brightness LED indicator
- IP68 protection class which is effectively moisture-proof and dust-proof
- Enhance detection distance. Sensitivity adjustment adopts multi-turn potentiometer so as to reach higher adjustment accuracy
- High reliability, excellent EMC design with protection against short circuit, overloaded and reverse polarity
- Widely used in both metal and non-metal (plastic, powder, liquid, etc.) material testing



## Model specification

NPN NO	CR12XSCF04DNOY	PNP NO	CR12XSCF04DPOY
NPN NC	CR12XSCF04DNCY	PNP NC	CR12XSCF04DPCY

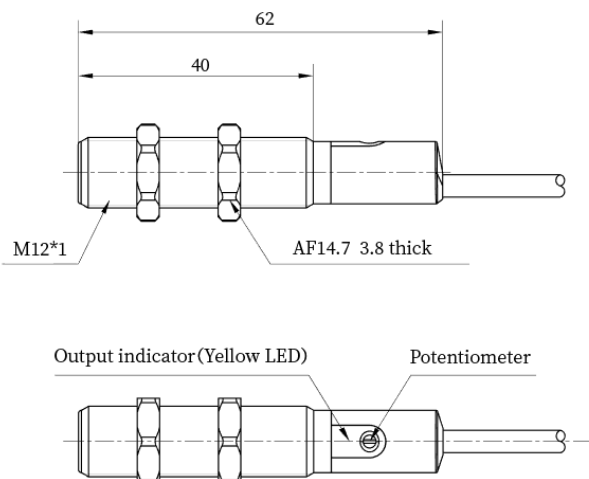
## Specifications

Installation type	Flush	Indicator	Output indication:Yellow LED
Rated distance $S_n$	4mm <sup>①</sup>	Switching frequency	20Hz
Ensure distance $S_a$	≤2.88mm	Ambient temperature	When working:-25...70°C(No icing, No condensation)
Adjust the distance	1...6 mm		When storing:-30...80°C(No icing, No condensation)
Adjustment method	Single-turn potentiometer	Environment humidity	35...95%RH(No icing, No condensation)
Standard test object	Fe 12*12*1t(Grounded) <sup>②</sup>	Vibration resistant	10...55Hz,Dual amplitude 1mm(2 hours each in X, Y, and Z directions)
Supply voltage	10...30VDC	Impulse withstand	30g/11ms,3 times each for X,Y,Z direction
Load current	≤200mA	High pressure resistant	1000V/AC 50/60Hz 60s
Residual voltage	≤2V	Insulation resistance	≥50MΩ(500VDC)
Consumption current	≤20mA	Shape specification	M12*1*62mm
Switch point offset [%/ $S_n$ ]	≤±10%	Protection degree	IP68
Temperature drift [%/Sr]	≤±20%	Housing material	PBT
Hysteresis range [%/Sr]	3...20%	Connection type	2m PVC Cable
Repetitive error [R]	≤5%	Accessories	M12 nuts×2, Slotted screwdriver, Operation manual
Circuit protection	Short circuit protection, Overload protection, Reverse polarity protection		

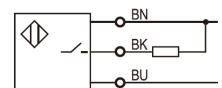
Note: ①the factory default sensing distance is  $S_n \pm 10\%$

②unit:mm

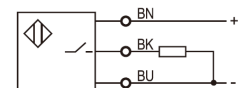
## Dimensions



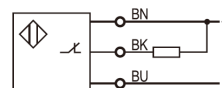
## Wiring diagram



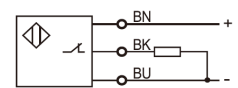
NPN NO



PNP NO



NPN NC



PNP NC

# cylindrical capacitive sensor CR12X series



## Feature description

- One-piece housing with high-brightness LED indicator
- IP67 protection class which is effectively moisture-proof and dust-proof
- Enhance detection distance. Sensitivity adjustment adopts multi-turn potentiometer so as to reach higher adjustment accuracy
- High reliability, excellent EMC design with protection against short circuit, overloaded and reverse polarity
- Widely used in both metal and non-metal (plastic, powder, liquid, etc.) material testing



## Model specification

NPN NO	CR12XCN08DNOY	PNP NO	CR12XCN08DPOY
NPN NC	CR12XCN08DNCY	PNP NC	CR12XCN08DPCY

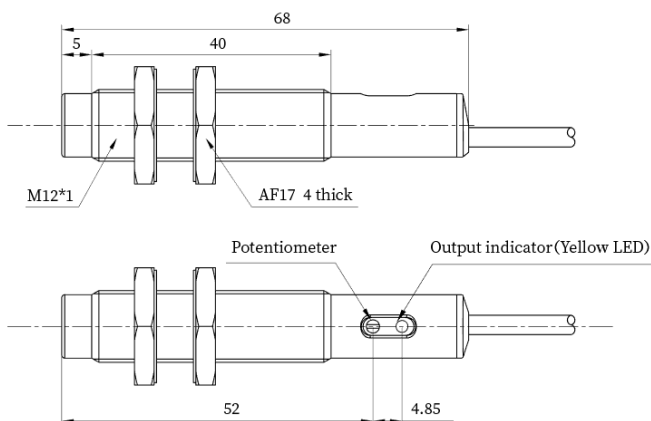
## Specifications

Installation type	Non-flush	Indicator	Output indication:Yellow LED
Rated distance $S_n$	8mm <sup>①</sup>	Switching frequency	25Hz
Ensure distance $S_a$	≤5.76mm	Ambient temperature	When working:-25...70°C(No icing, No condensation)
Adjust the distance	3...12mm		When storing:-30...80°C(No icing, No condensation)
Adjustment method	Single-turn potentiometer	Environment humidity	35...95%RH(No icing, No condensation)
Standard test object	Fe 24*24*1t(Grounded) <sup>②</sup>	Vibration resistant	10...55Hz,Dual amplitude 1mm(2 hours each in X, Y, and Z directions)
Supply voltage	10...30VDC	Impulse withstand	30g/11ms,3 times each for X,Y,Z direction
Load current	≤200mA	High pressure resistant	1000V/AC 50/60Hz 60s
Residual voltage	≤2V	Insulation resistance	≥50MΩ(500VDC)
Consumption current	≤20mA	Shape specification	M12*1*68mm
Switch point offset [%/Sn]	≤±10%	Protection degree	IP67
Temperature drift [%/Sr]	≤±20%	Housing material	Nickel copper alloy
Hysteresis range [%/Sr]	3...20%	Connection type	2m PVC Cable
Repetitive error [R]	≤5%	Accessories	M12 nuts×2, Slotted screwdriver, Operation manual
Circuit protection	Short circuit protection, Overload protection, Reverse polarity protection		

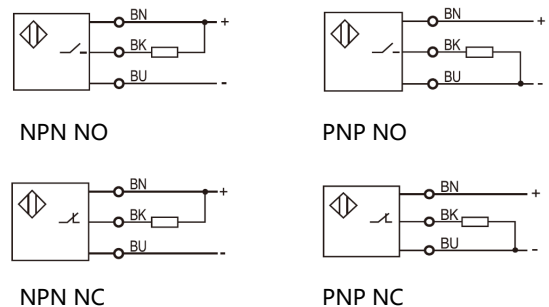
Note: ①the factory default sensing distance is  $S_n \pm 10\%$

②unit:mm

## Dimensions



## Wiring diagram



# Cylindrical capacitive sensor CR12X series



## Feature description

- One-piece housing with high-brightness LED indicator
- IP67 protection class which is effectively moisture-proof and dust-proof
- Enhance detection distance. Sensitivity adjustment adopts multi-turn potentiometer so as to reach higher adjustment accuracy
- High reliability, excellent EMC design with protection against short circuit, overloaded and reverse polarity
- Widely used in both metal and non-metal (plastic, powder, liquid, etc.) material testing



## Model specification

NPN NO	CR12XCF04DNOY	PNP NO	CR12XCF04DPOY
NPN NC	CR12XCF04DNCY	PNP NC	CR12XCF04DPCY

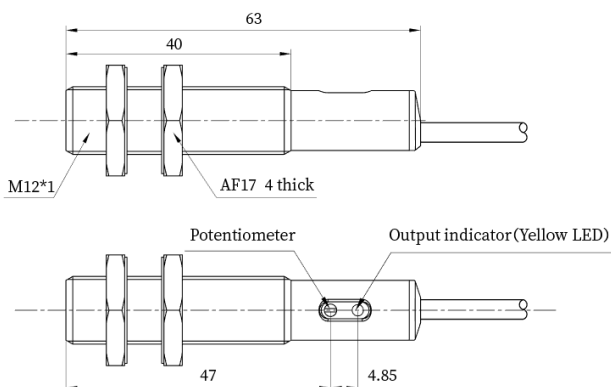
## Specifications

Installation type	Flush	Indicator	Output indication:Yellow LED
Rated distance $S_n$	4mm <sup>①</sup>	Switching frequency	25Hz
Ensure distance $S_a$	≤2.88mm	Ambient temperature	When working:-25...70°C(No icing, No condensation)
Adjust the distance	1...6 mm		When storing:-30...80°C(No icing, No condensation)
Adjustment method	Single-turn potentiometer	Environment humidity	35...95%RH(No icing, No condensation)
Standard test object	Fe 12*12*1t(Grounded) <sup>②</sup>	Vibration resistant	10...55Hz,Dual amplitude 1mm(2 hours each in X, Y, and Z directions)
Supply voltage	10...30VDC	Impulse withsand	30g/11ms,3 times each for X,Y,Z direction
Load current	≤200mA	High pressure resistant	1000V/AC 50/60Hz 60s
Residual voltage	≤2V	Insulation resistance	≥50MΩ(500VDC)
Consumption current	≤20mA	Shape specification	M12*1*63mm
Switch point offset [%/Sn]	±±10%	Protection degree	IP67
Temperature drift [%/Sr]	±±20%	Housing material	Nickel copper alloy
Hysteresis range [%/Sr]	3...20%	Connection type	2m PVC Cable
Repetitive error [R]	≤5%	Accessories	M12 nuts×2, Slotted screwdriver, Operation manual
Circuit protection	Short circuit protection, Overload protection, Reverse polarity protection		

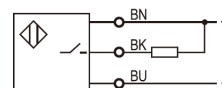
Note: ①the factory default sensing distance is  $S_n \pm 10\%$

②unit:mm

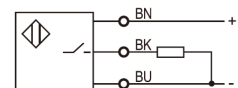
## Dimensions



## Wiring diagram



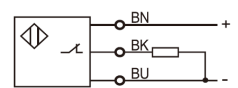
NPN NO



PNP NO



NPN NC



PNP NC

# Cylindrical capacitive sensor CR12X series



## Feature description

- One-piece housing with high-brightness LED indicator
- IP67 protection class which is effectively moisture-proof and dust-proof
- Enhance detection distance. Sensitivity adjustment adopts multi-turn potentiometer so as to reach higher adjustment accuracy
- High reliability, excellent EMC design with protection against short circuit, overloaded and reverse polarity
- Widely used in both metal and non-metal (plastic, powder, liquid, etc.) material testing



## Model specification

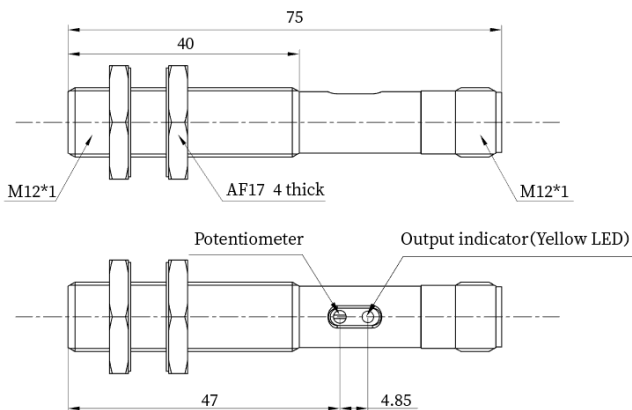
NPN NO	CR12XCF04DNOY-E2	PNP NO	CR12XCF04DPOY-E2
NPN NC	CR12XCF04DNCY-E2	PNP NC	CR12XCF04DPCY-E2

## Specifications

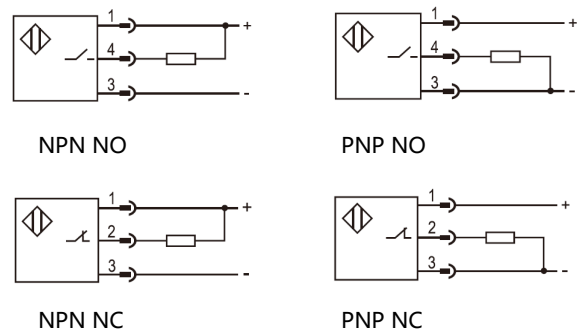
Installation type	Flush	Indicator	Output indication:Yellow LED
Rated distance $S_n$	4mm <sup>①</sup>	Switching frequency	25Hz
Ensure distance $S_a$	≤2.88mm	Ambient temperature	When working:-25...70°C(No icing, No condensation)
Adjust the distance	1...6 mm		When storing:-30...80°C(No icing, No condensation)
Adjustment method	Single-turn potentiometer	Environment humidity	35...95%RH(No icing, No condensation)
Standard test object	Fe 12*12*1t(Grounded) <sup>②</sup>	Vibration resistant	10...55Hz,Dual amplitude 1mm(2 hours each in X, Y, and Z directions)
Supply voltage	10...30VDC	Impulse withsand	30g/11ms,3 times each for X,Y,Z direction
Load current	≤200mA	High pressure resistant	1000V/AC 50/60Hz 60s
Residual voltage	≤2V	Insulation resistance	≥50MΩ(500VDC)
Consumption current	≤20mA	Shape specification	M12*1*63mm
Switch point offset [%/Sn]	±10%	Protection degree	IP67
Temperature drift [%/Sr]	±20%	Housing material	Nickel copper alloy
Hysteresis range [%/Sr]	3...20%	Connection type	M12 Connector
Repetitive error [R]	≤5%	Accessories	M12 nuts×2, Slotted screwdriver, Operation manual
Circuit protection	Short circuit protection, Overload protection, Reverse polarity protection		

Note: ①the factory default sensing distance is  $S_n \pm 10\%$       ②unit:mm

## Dimensions



## Wiring diagram



# cylindrical capacitive sensor CR12X series



## Feature description

- One-piece housing with high-brightness LED indicator
- IP67 protection class which is effectively moisture-proof and dust-proof
- Enhance detection distance. Sensitivity adjustment adopts multi-turn potentiometer so as to reach higher adjustment accuracy
- High reliability, excellent EMC design with protection against short circuit, overloaded and reverse polarity
- Widely used in both metal and non-metal (plastic, powder, liquid, etc.) material testing



## Model specification

NPN NO	CR12XCN08DNOY-E2	PNP NO	CR12XCN08DPOY-E2
NPN NC	CR12XCN08DNCY-E2	PNP NC	CR12XCN08DPCY-E2

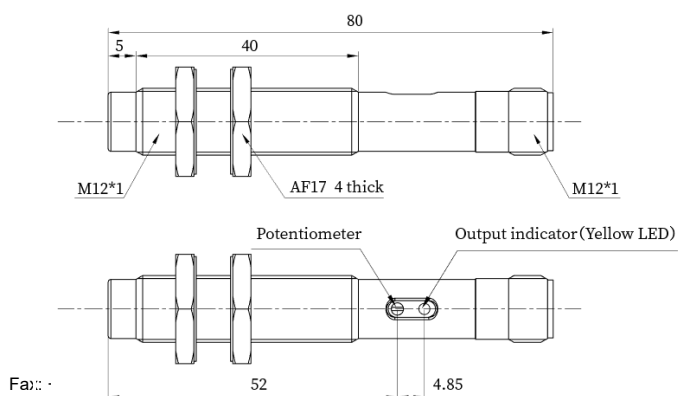
## Specifications

Installation type	Non-flush	Indicator	Output indication:Yellow LED
Rated distance $S_n$	8mm <sup>①</sup>	Switching frequency	25Hz
Ensure distance $S_a$	≤5.76mm	Ambient temperature	When working:-25...70°C(No icing, No condensation)
Adjust the distance	3...12mm		When storing:-30...80°C(No icing, No condensation)
Adjustment method	Single-turn potentiometer	Environment humidity	35...95%RH(No icing, No condensation)
Standard test object	Fe 24*24*1t(Grounded) <sup>②</sup>	Vibration resistant	10...55Hz,Dual amplitude 1mm(2 hours each in X, Y, and Z directions)
Supply voltage	10...30VDC	Impulse withsand	30g/11ms,3 times each for X,Y,Z direction
Load current	≤200mA	High pressure resistant	1000V/AC 50/60Hz 60s
Residual voltage	≤2V	Insulation resistance	≥50MΩ(500VDC)
Consumption current	≤20mA	Shape specification	M12*1*80mm
Switch point offset [%/Sn]	±±10%	Protection degree	IP67
Temperature drift [%/Sr]	±±20%	Housing material	Nickel copper alloy
Hysteresis range [%/Sr]	3...20%	Connection type	M12 Connector
Repetitive error [R]	≤5%	Accessories	M12 nuts×2, Slotted screwdriver, Operation manual
Circuit protection	Short circuit protection, Overload protection, Reverse polarity protection		

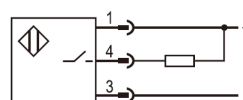
Note: ①the factory default sensing distance is  $S_n \pm 10\%$

②unit:mm

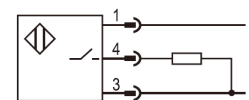
## Dimensions



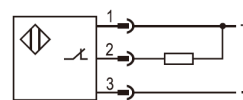
## Wiring diagram



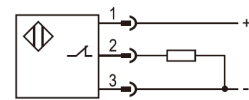
NPN NO



PNP NO



NPN NC



PNP NC

Plastic cylindrical shape capacitive sensors **CR12S** series



Features

- ◆ Be able to detect both metal and nonmetal objects;
- ◆ Extended sensing distance;
- ◆ Reliable liquid level detecting;
- ◆ Widely applied in warehouse, animal husbandry industry etc;



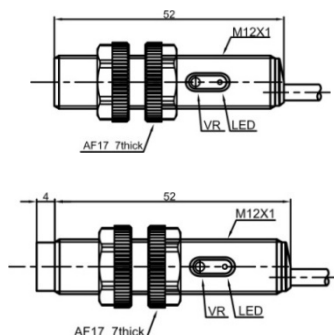
Part number

NPN NO	CR12SCF04DNOY	CR12SCN08DNOY	PNP NO	CR12SCF04DPOY	CR12SCN08DPOY
NPN NC	CR12SCF04DNCY	CR12SCN08DNCY	PNP NC	CR12SCF04DPCY	CR12SCN08DPCY

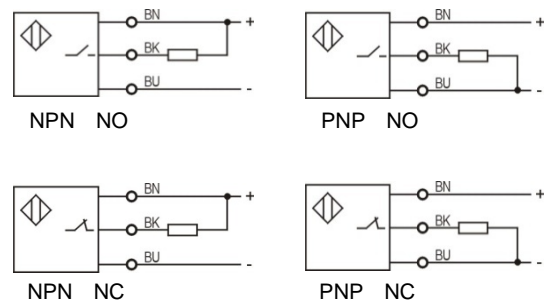
Technical specifications

Mounting	Flush                      Non-flush	Consumption current	≤15mA
Rated distance [Sn]	4mm (adjustable) 8mm(adjustable)	Circuit protection	Short-circuit, overload and reverse polarity
Assured distance [Sa]	0...3.2mm                      0...6.4mm	Output indicator	Yellow LED
Dimensions	M12*52mm                      M12*56 mm	Ambient temperature	-25°C...70°C
Output	NO/NC(depends on part number)	Ambient humidity	35-95%RH
Supply voltage	10...30 VDC	Switching frequency [F]	50 Hz
Standard target	Fe 12*12*1t                      Fe 24*24*1t	Voltage withstand	1000V/AC 50/60Hz 60S
Switch-point drifts [%/Sr]	≤±20%	Insulation resistance	≥50MΩ (500VDC)
Hysteresis range [%/Sr]	3...20%	Vibration resistance	10...50Hz (1.5mm)
Repeat accuracy [R]	≤5%	Degree of protection	IP67
Load current	≤200mA	Housing material	PBT
Residual voltage	≤2.5V	Connection type	2m PVC cable

Dimensions



Wiring diagram



Plastic cylindrical shape capacitive sensors **CR12S** series



Features

- ◆ Be able to detect both metal and nonmetal objects;
- ◆ Extended sensing distance;
- ◆ Reliable liquid level detecting;
- ◆ Widely applied in warehouse, animal husbandry industry etc;



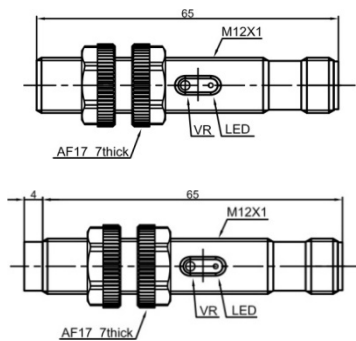
Part number

NPN NO	CR12SCF04DNOY-E2	CR12SCN08DNOY-E2	PNP NO	CR12SCF04DPOY-E2	CR12SCN08DPOY-E2
NPN NC	CR12SCF04DNCY-E2	CR12SCN08DNCY-E2	PNP NC	CR12SCF04DPCY-E2	CR12SCN08DPCY-E2

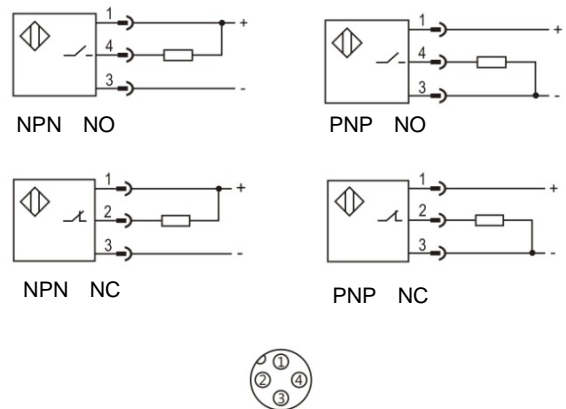
Technical specifications

Mounting	Flush	Non-flush	Consumption current	≤15mA
Rated distance [Sn]	4mm (adjustable)	8mm(adjustable)	Circuit protection	Short-circuit, overload and reverse polarity
Assured distance [Sa]	0...3.2mm	0...6.4mm	Output indicator	Yellow LED
Dimensions	M12*52mm	M12*56 mm	Ambient temperature	-25°C...70°C
Output	NO/NC(depends on part number)		Ambient humidity	35-95%RH
Supply voltage	10...30 VDC		Switching frequency [F]	50 Hz
Standard target	Fe 12*12*1t	Fe 24*24*1t	Voltage withstand	1000V/AC 50/60Hz 60S
Switch-point drifts [%/Sr]	≤±20%		Insulation resistance	≥50MΩ (500VDC)
Hysteresis range [%/Sr]	3...20%		Vibration resistance	10...50Hz (1.5mm)
Repeat accuracy [R]	≤5%		Degree of protection	IP67
Load current	≤200mA		Housing material	PBT
Residual voltage	≤2.5V		Connection type	M12 connector

Dimensions



Wiring diagram



# Extended sensing distance capacitive sensor **CR12** series



### Feature description

- The detection distance is longer and the adjustment range is wider
- Detection of different media in containers through non-metallic tube walls
- Can detect metal and non-metallic materials at the same time, more widely used



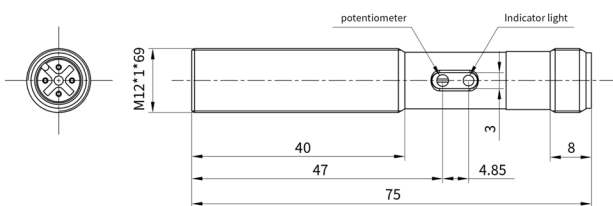
### Model specification

NPN NO	CR12DF04DNOY-E2	PNP NO	CR12DF04DPOY-E2
NPN NC	CR12DF04DNCY-E2	PNP NC	CR12DF04DPCY-E2

### Specifications

Installation type	Flush	Consumption current	≤15mA
Rated distance Sn	4mm	Protection circuit	Short circuit protection, overload protection, reverse polarity protection
Adjust the distance	0.5...6mm(Adjustable)	Output indication	Yellow LED
Adjustment range	270°	Ambient temperature	-25°C...70°C
Shape specification	M12*75mm	Environment humidity	35...95%RH
Output type	NO/NC(Depending on model)	Switching frequency	40 Hz
Supply voltage	10...30 VDC	High pressure resistant	500V/AC 50/60Hz 60s
Standard target	Fe 12*12*1t	Insulation resistance	≥50MΩ(500VDC)
Switch point offset	≤±10%	Vibration resistance	Complex amplitude 1.5mm 10...50Hz(2h each in X, Y, Z directions)
Hysteresis range	3...20%	Degree of protection	IP67
Repetitive error	≤5%	Housing material	Nickel copper alloy
Load current	≤200mA	Connection type	M12 Connector
Residual voltage	≤2V		

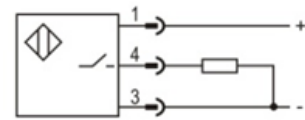
### Dimension



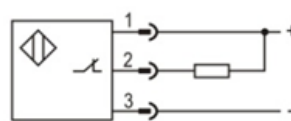
### Wiring diagram



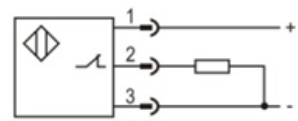
NPN NO



PNP NO



NPN NC



PNP NC



# Extended sensing distance capacitive sensor **CR12** series



### Feature description

- The detection distance is longer and the adjustment range is wider
- Detection of different media in containers through non-metallic tube walls
- Can detect metal and non-metallic materials at the same time, more widely used



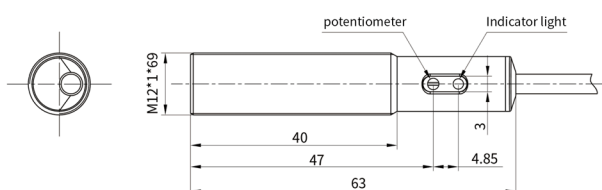
### Model specification

NPN NO	CR12DF04DNOY	PNP NO	CR12DF04DPOY
NPN NC	CR12DF04DNCY	PNP NC	CR12DF04DPCY

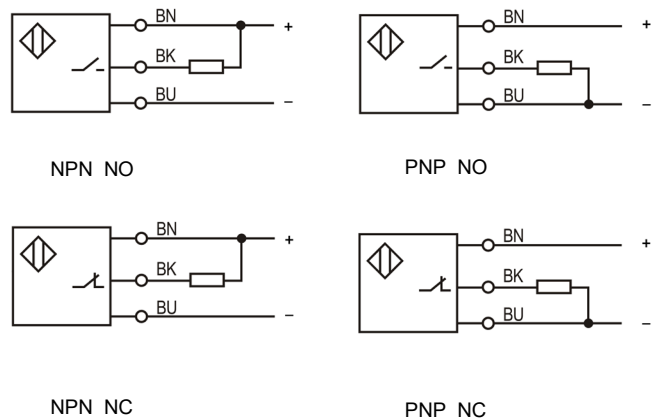
### Specifications

Installation type	Flush	Consumption current	≤15mA
Rated distance Sn	4mm	Protection circuit	Short circuit protection, overload protection, reverse polarity protection
Adjust the distance	0.5...6mm(Adjustable)	Output indication	Yellow LED
Adjustment range	270°	Ambient temperature	-25°C...70°C
Shape specification	M12*62mm	Environment humidity	35...95%RH
Output type	NO/NC(Depending on model)	Switching frequency	40 Hz
Supply voltage	10...30 VDC	High pressure resistant	500V/AC 50/60Hz 60s
Standard target	Fe 12*12*1t	Insulation resistance	≥50MΩ(500VDC)
Switch point offset	≤±10%	Vibration resistance	Complex amplitude 1.5mm 10...50Hz(2h each in X, Y, Z directions)
Repetitive error	≤5%	Degree of protection	IP67
Load current	≤200mA	Housing material	Nickel copper alloy
Residual voltage	≤2V	Connection type	2m PVC leading wire

### Dimension



### Wiring diagram



## По вопросам продаж и поддержки обращайтесь:

Алматы (727)345-47-04  
Ангарск (3955)60-70-56  
Архангельск (8182)63-90-72  
Астрахань (8512)99-46-04  
Барнаул (3852)73-04-60  
Белгород (4722)40-23-64  
Благовещенск (4162)22-76-07  
Брянск (4832)59-03-52  
Владивосток (423)249-28-31  
Владикавказ (8672)28-90-48  
Владимир (4922)49-43-18  
Волгоград (844)278-03-48  
Вологда (8172)26-41-59  
Воронеж (473)204-51-73  
Екатеринбург (343)384-55-89

Иваново (4932)77-34-06  
Ижевск (3412)26-03-58  
Иркутск (395)279-98-46  
Казань (843)206-01-48  
Калининград (4012)72-03-81  
Калуга (4842)92-23-67  
Кемерово (3842)65-04-62  
Киров (8332)68-02-04  
Коломна (4966)23-41-49  
Кострома (4942)77-07-48  
Краснодар (861)203-40-90  
Красноярск (391)204-63-61  
Курск (4712)77-13-04  
Курган (3522)50-90-47  
Липецк (4742)52-20-81

Магнитогорск (3519)55-03-13  
Москва (495)268-04-70  
Мурманск (8152)59-64-93  
Набережные Челны (8552)20-53-41  
Новокузнецк (3843)20-46-81  
Ноябрьск (3496)41-32-12  
Новосибирск (383)227-86-73  
Омск (3812)21-46-40  
Орел (4862)44-53-42  
Оренбург (3532)37-68-04  
Пенза (8412)22-31-16  
Петрозаводск (8142)55-98-37  
Псков (8112)59-10-37  
Пермь (342)205-81-47

Ростов-на-Дону (863)308-18-15  
Рязань (4912)46-61-64  
Самара (846)206-03-16  
Санкт-Петербург (812)309-46-40  
Саратов (845)249-38-78  
Севастополь (8692)22-31-93  
Саранск (8342)22-96-24  
Симферополь (3652)67-13-56  
Смоленск (4812)29-41-54  
Сочи (862)225-72-31  
Ставрополь (8652)20-65-13  
Сургут (3462)77-98-35  
Сыктывкар (8212)25-95-17  
Тамбов (4752)50-40-97  
Тверь (4822)63-31-35

Тольятти (8482)63-91-07  
Томск (3822)98-41-53  
Тула (4872)33-79-87  
Тюмень (3452)66-21-18  
Ульяновск (8422)24-23-59  
Улан-Удэ (3012)59-97-51  
Уфа (347)229-48-12  
Хабаровск (4212)92-98-04  
Чебоксары (8352)28-53-07  
Челябинск (351)202-03-61  
Череповец (8202)49-02-64  
Чита (3022)38-34-83  
Якутск (4112)23-90-97  
Ярославль (4852)69-52-93

**Россия** +7(495)268-04-70

**Казахстан** +(727)345-47-04

**Беларусь** +(375)257-127-884

**Узбекистан** +998(71)205-18-59

**Киргизия** +996(312)96-26-47

эл.почта: [ahj@nt-rt.ru](mailto:ahj@nt-rt.ru) || сайт: <https://lanbao.nt-rt.ru/>