

# Ёмкостные датчики уровня для высоких температур CE53S

## Технические характеристики

По вопросам продаж и поддержки обращайтесь:

Алматы (727)345-47-04  
Ангарск (3955)60-70-56  
Архангельск (8182)63-90-72  
Астрахань (8512)99-46-04  
Барнаул (3852)73-04-60  
Белгород (4722)40-23-64  
Благовещенск (4162)22-76-07  
Брянск (4832)59-03-52  
Владивосток (423)249-28-31  
Владикавказ (8672)28-90-48  
Владимир (4922)49-43-18  
Волгоград (844)278-03-48  
Вологда (8172)26-41-59  
Воронеж (473)204-51-73  
Екатеринбург (343)384-55-89

Иваново (4932)77-34-06  
Ижевск (3412)26-03-58  
Иркутск (395)279-98-46  
Казань (843)206-01-48  
Калининград (4012)72-03-81  
Калуга (4842)92-23-67  
Кемерово (3842)65-04-62  
Киров (8332)68-02-04  
Коломна (4966)23-41-49  
Кострома (4942)77-07-48  
Краснодар (861)203-40-90  
Красноярск (391)204-63-61  
Курск (4712)77-13-04  
Курган (3522)50-90-47  
Липецк (4742)52-20-81

Магнитогорск (3519)55-03-13  
Москва (495)268-04-70  
Мурманск (8152)59-64-93  
Набережные Челны (8552)20-53-41  
Нижний Новгород (831)429-08-12  
Новокузнецк (3843)20-46-81  
Ноябрьск (3496)41-32-12  
Новосибирск (383)227-86-73  
Омск (3812)21-46-40  
Орел (4862)44-53-42  
Оренбург (3532)37-68-04  
Пенза (8412)22-31-16  
Петрозаводск (8142)55-98-37  
Псков (8112)59-10-37  
Пермь (342)205-81-47

Ростов-на-Дону (863)308-18-15  
Рязань (4912)46-61-64  
Самара (846)206-03-16  
Санкт-Петербург (812)309-46-40  
Саратов (845)249-38-78  
Севастополь (8692)22-31-93  
Саранск (8342)22-96-24  
Симферополь (3652)67-13-56  
Смоленск (4812)29-41-54  
Сочи (862)225-72-31  
Ставрополь (8652)20-65-13  
Сургут (3462)77-98-35  
Сыктывкар (8212)25-95-17  
Тамбов (4752)50-40-97  
Тверь (4822)63-31-35

Тольятти (8482)63-91-07  
Томск (3822)98-41-53  
Тула (4872)33-79-87  
Тюмень (3452)66-21-18  
Ульяновск (8422)24-23-59  
Улан-Удэ (3012)59-97-51  
Уфа (347)229-48-12  
Хабаровск (4212)92-98-04  
Чебоксары (8352)28-53-07  
Челябинск (351)202-03-61  
Череповец (8202)49-02-64  
Чита (3022)38-34-83  
Якутск (4112)23-90-97  
Ярославль (4852)69-52-93

Россия +7(495)268-04-70

Казахстан +(727)345-47-04

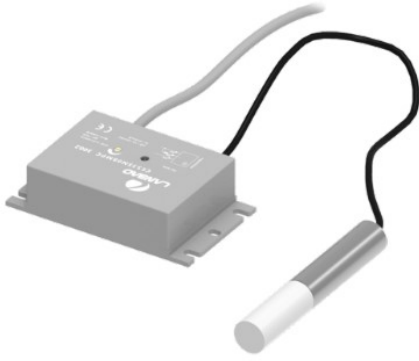
Беларусь +(375)257-127-884

Узбекистан +998(71)205-18-59

Киргизия +996(312)96-26-47

эл.почта: [ahj@nt-rt.ru](mailto:ahj@nt-rt.ru) || сайт: <https://lanbao.nt-rt.ru/>

# High temperature resistant level capacitive sensor **CE53S** series



### Feature description

- Using special materials and separate structure design, more stable performance
- Multiple size detection head options
- With clear working status indication and sensitivity adjustment function
- Widely used in high temperature environment target detection, such as dispensing equipment



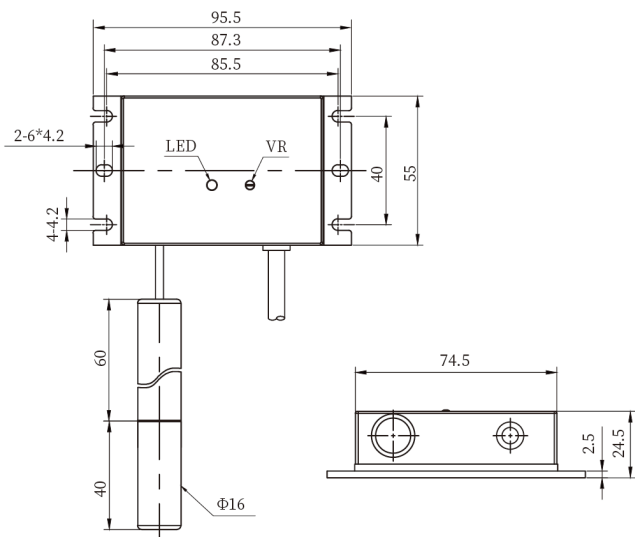
### Model specification

NPN NO	CE53SN08MNO 3002	PNP NO	CE53SN08MPO 3002
NPN NC	CE53SN08MNC 3002	PNP NC	CE53SN08MPC 3002

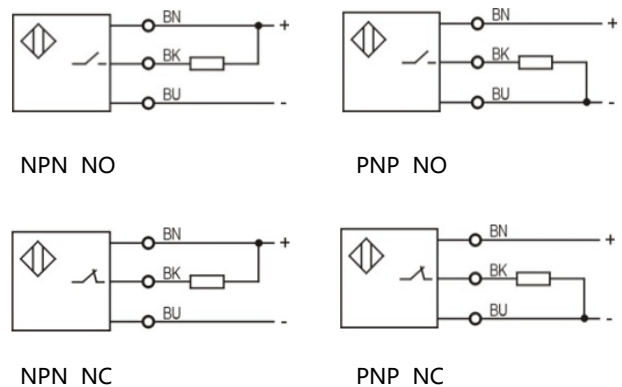
### Specifications

Installation type	Non-flush(Contact use)	Indicator display	Power indicator:Red LED;Output indication:Green LED
Adjust the distance	8mm(Adjustable)	Ambient temperature	Amplifier:0°C...+60°C;Induction head:250°C Max
Standard target	ST45 carbon steel,inner diameter> 20mm,thickness 1mm ring	Switching frequency	0.3 Hz
Shape specification	Amplifier:95.5*55*22mm;Induction head:Φ16*100mm	Protection degree	IP54
Output type	NO/NC(Depending on model)	High pressure resistant	500V/AC 50/60Hz 60s
Supply voltage	18...36VDC	Insulation resistance	≥50MΩ(500VDC)
Hysteresis range	3...20%	Vibration resistance	Complex amplitude1.5mm 10...50Hz
Repetitive error	≤5%		(2 hours each in X,Y,and Z directions)
Load current	≤250mA	Housing material	Amplifier:PA6;Sensor head:Teflon+stainless steel
Residual voltage	≤2.5V	Detection head Connection cable	Teflon single core 1m shielded cable
Consumption current	≤100mA	Amplifier Connection cable	2m PVC cable
Protection circuit	Short circuit protection, overload protection, reverse polarity protection	Accessory	Slotted screwdriver

### Dimensions



### Wiring diagram



# High temperature resistant level capacitive sensor **CE53S** series



### Feature description

- Using special materials and separate structure design, more stable performance
- Multiple size detection head options
- With clear working status indication and sensitivity adjustment function
- Widely used in high temperature environment target detection, such as dispensing equipment



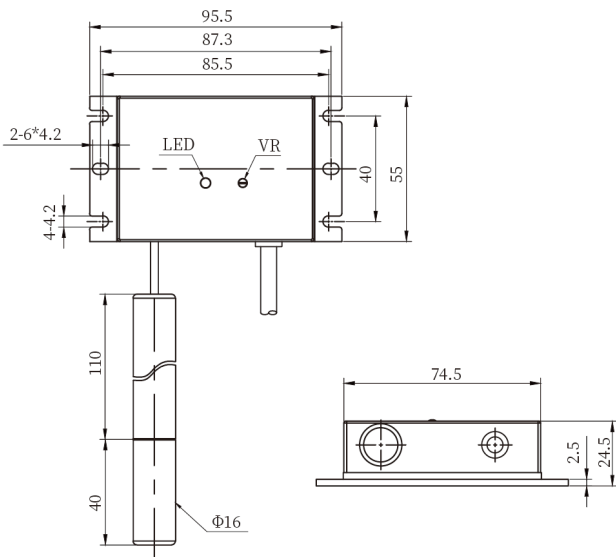
### Model specification

NPN NO	CE53SN08MNO 3001	PNP NO	CE53SN08MPO 3001
NPN NC	CE53SN08MNC 3001	PNP NC	CE53SN08MPC 3001

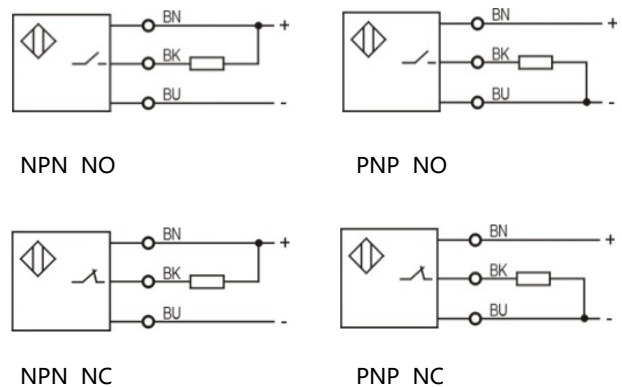
### Specifications

Installation type	Non-flush(Contact use)	Indicator display	Power indicator:Red LED;Output indication:Green LED
Adjust the distance	8mm(Adjustable)	Ambient temperature	Amplifier:0°C...+60°C;Induction head:250°C Max
Standard target	ST45 carbon steel,inner diameter> 20mm,thickness 1mm ring	Switching frequency	0.3 Hz
Shape specification	Amplifier:95.5*55*22mm;Induction head:Φ16*150mm	Protection degree	IP54
Output type	NO/NC(Depending on model)	High pressure resistant	500V/AC 50/60Hz 60s
Supply voltage	18...36VDC	Insulation resistance	≥50MΩ(500VDC)
Hysteresis range	3...20%	Vibration resistance	Complex amplitude1.5mm 10...50Hz
Repetitive error	≤5%		(2 hours each in X,Y,and Z directions)
Load current	≤250mA	Housing material	Amplifier:PA6;Sensor head:Teflon+stainless steel
Residual voltage	≤2.5V	Detection head Connection cable	Teflon single core 1m shielded cable
Consumption current	≤100mA	Amplifier Connection cable	2m PVC cable
Protection circuit	Short circuit protection, overload protection, reverse polarity protection	Accessory	Slotted screwdriver

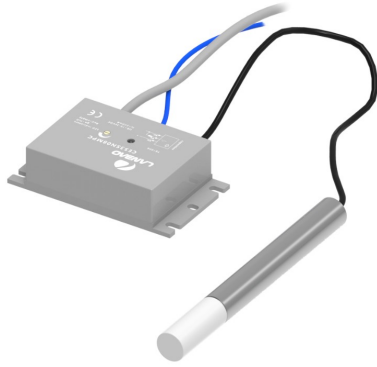
### Dimensions



### Wiring diagram



# High temperature resistant level capacitive sensor **CE53S** series



### Feature description

- Using special materials and separate structure design, more stable performance
- Multiple size detection head options
- With clear working status indication and sensitivity adjustment function
- Widely used in high temperature environment target detection, such as dispensing equipment



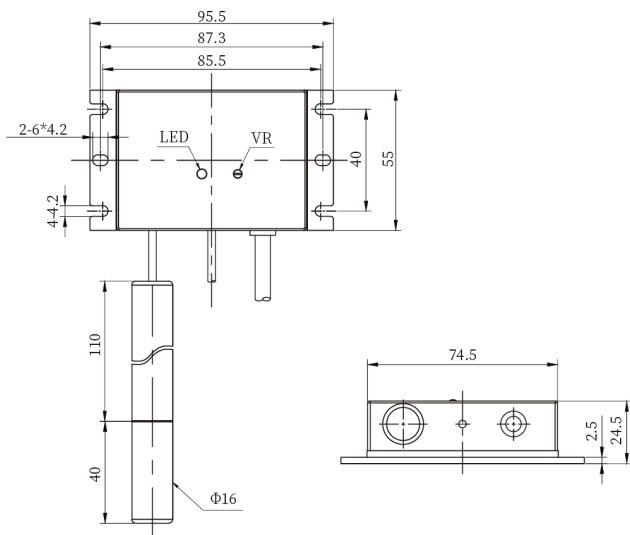
### Model specification

NPN NO	CE53SN08MNO	PNP NO	CE53SN08MPO
NPN NC	CE53SN08MNC	PNP NC	CE53SN08MPC

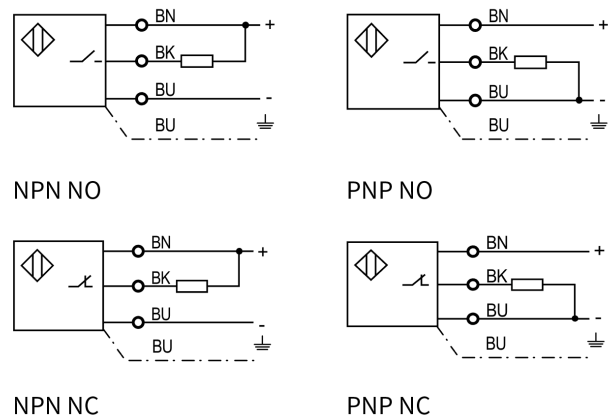
### Specifications

Installation type	Non-flush(Contact use)	Indicator display	Power indicator:Red LED;Output indication:Green LED
Adjust the distance	8mm(Adjustable)	Ambient temperature	Amplifier:0°C...+60°C;Induction head:250°C Max
Standard target	ST45 carbon steel,inner diameter> 20mm,thickness 1mm ring	Switching frequency	0.3 Hz
Shape specification	Amplifier:95.5*55*22mm;Induction head:Φ16*150mm	Protection degree	IP54
Output type	NO/NC(Depending on model)	High pressure resistant	500V/AC 50/60Hz 60s
Supply voltage	18...36VDC	Insulation resistance	≥50MΩ(500VDC)
Hysteresis range	3...20%	Vibration resistance	Complex amplitude1.5mm 10...50Hz
Repetitive error	≤5%		(2 hours each in X,Y,and Z directions)
Load current	≤250mA	Housing material	Amplifier:PA6;Sensor head:Teflon+stainless steel
Residual voltage	≤2.5V	Detection head Connection cable	Teflon single core 1m shielded cable
Consumption current	≤100mA	Amplifier Connection cable	2m PVC cable
Protection circuit	Short circuit protection, overload protection, reverse polarity protection	Accessory	Slotted screwdriver

### Dimensions



### Wiring diagram



## По вопросам продаж и поддержки обращайтесь:

Алматы (727)345-47-04  
Ангарск (3955)60-70-56  
Архангельск (8182)63-90-72  
Астрахань (8512)99-46-04  
Барнаул (3852)73-04-60  
Белгород (4722)40-23-64  
Благовещенск (4162)22-76-07  
Брянск (4832)59-03-52  
Владивосток (423)249-28-31  
Владикавказ (8672)28-90-48  
Владимир (4922)49-43-18  
Волгоград (844)278-03-48  
Вологда (8172)26-41-59  
Воронеж (473)204-51-73  
Екатеринбург (343)384-55-89

Иваново (4932)77-34-06  
Ижевск (3412)26-03-58  
Иркутск (395)279-98-46  
Казань (843)206-01-48  
Калининград (4012)72-03-81  
Калуга (4842)92-23-67  
Кемерово (3842)65-04-62  
Киров (8332)68-02-04  
Коломна (4966)23-41-49  
Кострома (4942)77-07-48  
Краснодар (861)203-40-90  
Красноярск (391)204-63-61  
Курск (4712)77-13-04  
Курган (3522)50-90-47  
Липецк (4742)52-20-81

Магнитогорск (3519)55-03-13  
Москва (495)268-04-70  
Мурманск (8152)59-64-93  
Набережные Челны (8552)20-53-41  
Новокузнецк (3843)20-46-81  
Ноябрьск (3496)41-32-12  
Новосибирск (383)227-86-73  
Омск (3812)21-46-40  
Орел (4862)44-53-42  
Оренбург (3532)37-68-04  
Пенза (8412)22-31-16  
Петрозаводск (8142)55-98-37  
Псков (8112)59-10-37  
Пермь (342)205-81-47

Ростов-на-Дону (863)308-18-15  
Рязань (4912)46-61-64  
Самара (846)206-03-16  
Санкт-Петербург (812)309-46-40  
Саратов (845)249-38-78  
Севастополь (8692)22-31-93  
Саранск (8342)22-96-24  
Симферополь (3652)67-13-56  
Смоленск (4812)29-41-54  
Сочи (862)225-72-31  
Ставрополь (8652)20-65-13  
Сургут (3462)77-98-35  
Сыктывкар (8212)25-95-17  
Тамбов (4752)50-40-97  
Тверь (4822)63-31-35

Тольятти (8482)63-91-07  
Томск (3822)98-41-53  
Тула (4872)33-79-87  
Тюмень (3452)66-21-18  
Ульяновск (8422)24-23-59  
Улан-Удэ (3012)59-97-51  
Уфа (347)229-48-12  
Хабаровск (4212)92-98-04  
Чебоксары (8352)28-53-07  
Челябинск (351)202-03-61  
Череповец (8202)49-02-64  
Чита (3022)38-34-83  
Якутск (4112)23-90-97  
Ярославль (4852)69-52-93

**Россия** +7(495)268-04-70

**Казахстан** +(727)345-47-04

**Беларусь** +(375)257-127-884

**Узбекистан** +998(71)205-18-59

**Киргизия** +996(312)96-26-47

эл.почта: [ahj@nt-rt.ru](mailto:ahj@nt-rt.ru) || сайт: <https://lanbao.nt-rt.ru/>