

Индуктивные датчики со стандартными функциями LR

Технические характеристики

По вопросам продаж и поддержки обращайтесь:

Алматы (727)345-47-04
Ангарск (3955)60-70-56
Архангельск (8182)63-90-72
Астрахань (8512)99-46-04
Барнаул (3852)73-04-60
Белгород (4722)40-23-64
Благовещенск (4162)22-76-07
Брянск (4832)59-03-52
Владивосток (423)249-28-31
Владикавказ (8672)28-90-48
Владимир (4922)49-43-18
Волгоград (844)278-03-48
Вологда (8172)26-41-59
Воронеж (473)204-51-73
Екатеринбург (343)384-55-89

Иваново (4932)77-34-06
Ижевск (3412)26-03-58
Иркутск (395)279-98-46
Казань (843)206-01-48
Калининград (4012)72-03-81
Калуга (4842)92-23-67
Кемерово (3842)65-04-62
Киров (8332)68-02-04
Коломна (4966)23-41-49
Кострома (4942)77-07-48
Краснодар (861)203-40-90
Красноярск (391)204-63-61
Курск (4712)77-13-04
Курган (3522)50-90-47
Липецк (4742)52-20-81

Магнитогорск (3519)55-03-13
Москва (495)268-04-70
Мурманск (8152)59-64-93
Набережные Челны (8552)20-53-41
Нижний Новгород (831)429-08-12
Новокузнецк (3843)20-46-81
Ноябрьск (3496)41-32-12
Новосибирск (383)227-86-73
Омск (3812)21-46-40
Орел (4862)44-53-42
Оренбург (3532)37-68-04
Пенза (8412)22-31-16
Петрозаводск (8142)55-98-37
Псков (8112)59-10-37
Пермь (342)205-81-47

Ростов-на-Дону (863)308-18-15
Рязань (4912)46-61-64
Самара (846)206-03-16
Санкт-Петербург (812)309-46-40
Саратов (845)249-38-78
Севастополь (8692)22-31-93
Саранск (8342)22-96-24
Симферополь (3652)67-13-56
Смоленск (4812)29-41-54
Сочи (862)225-72-31
Ставрополь (8652)20-65-13
Сургут (3462)77-98-35
Сыктывкар (8212)25-95-17
Тамбов (4752)50-40-97
Тверь (4822)63-31-35

Тольятти (8482)63-91-07
Томск (3822)98-41-53
Тула (4872)33-79-87
Тюмень (3452)66-21-18
Ульяновск (8422)24-23-59
Улан-Удэ (3012)59-97-51
Уфа (347)229-48-12
Хабаровск (4212)92-98-04
Чебоксары (8352)28-53-07
Челябинск (351)202-03-61
Череповец (8202)49-02-64
Чита (3022)38-34-83
Якутск (4112)23-90-97
Ярославль (4852)69-52-93

Россия +7(495)268-04-70

Казахстан +(727)345-47-04

Беларусь +(375)257-127-884

Узбекистан +998(71)205-18-59

Киргизия +996(312)96-26-47

эл.почта: ahj@nt-rt.ru || сайт: <https://lanbao.nt-rt.ru/>

Metal cylindrical shape inductive sensors **LR6.5Q** series



Features

- ◆ Extended sensing distance;
- ◆ ASIC design, safe and reliable;
- ◆ Perfect choice for metallic target detection;



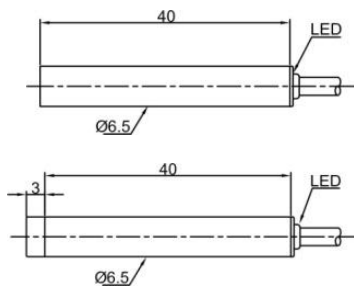
Part number

DC 2wires NO	LR6.5QBF02DLOY	LR6.5QBN04DLOY	DC 2 wires NC	LR6.5QBF02DLCY	LR6.5QBN04DLCY
--------------	----------------	----------------	---------------	----------------	----------------

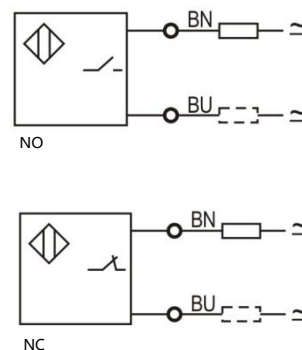
Technical specifications

Mounting	Quasi-flush Non-flush	Leakage current [Ir]	≤1mA	
Rated distance [Sn]	2mm 4mm	Circuit protection	Reverse polarity	
Assured distance [Sa]	0...1.6mm 0...3.2mm	Output indicator	YellowLED	
Dimensions	Φ6.5*40mm Φ6.5*43mm	Ambient temperature	-25°C...70°C	
Output	NO/NC(depends on part number)	Ambient humidity	35-95%RH	
Supply voltage	10...30 VDC	Switching frequency [F]	1000Hz	800Hz
Standard target	Fe 8*8*1t Fe12*12*1t	Voltage withstand	
Switch-point drifts[%/Sr]	≤±10%	Insulation resistance	≥50MΩ (500VDC)	
Hysteresis range [%/Sr]	1...20%	Vibration resistance	10...50Hz (1.5mm)	
Repeat accuracy [R]	≤3%	Degree of protection	IP67	
Load current	≤100mA	Housing material	Stainless steel	
Residual voltage	≤6V	Connection type	2m PVC cable	

Dimensions



Wiring diagram



Metal cylindrical shape inductive sensors **LR6.5Q** series



Features

- ◆ Extended sensing distance;
- ◆ ASIC design, safe and reliable;
- ◆ Perfect choice for metallic target detection;



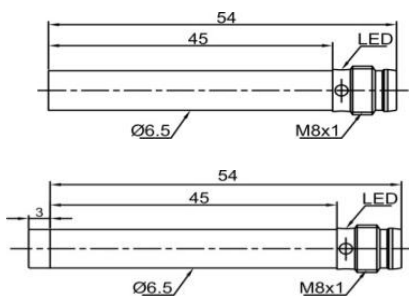
Part number

DC 2 wires NO LR6.5QBF02DLOY-E1 LR6.5QBN04DLOY-E1 DC 2 wires NC LR6.5QBF02DLCY-E1 LR6.5QBN04DLCY-E1

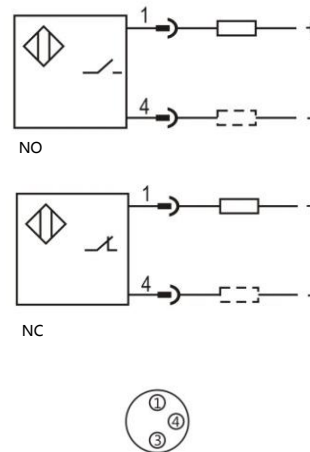
Technical specifications

Mounting	Quasi-flush Non-flush	Leakage current [Ir]	≤1mA
Rated distance [Sn]	2mm 4mm	Circuit protection	Reverse polarity
Assured distance [Sa]	0...1.6mm 0...3.2mm	Output indicator	YellowLED
Dimensions	Φ 6.5*54mm Φ 6.5*57mm	Ambient temperature	-25°C...70°C
Output	NO/NC(depends on part number)	Ambient humidity	35-95%RH
Supply voltage	10...30 VDC	Switching frequency [F]	1000Hz 800Hz
Standard target	Fe 8*8*1t Fe12*12*1t	Voltage withstand
Switch-point drifts[%/Sr]	≤ ± 10%	Insulation resistance	≥50MΩ (500VDC)
Hysteresis range [%/Sr]	1...20%	Vibration resistance	10...50Hz (1.5mm)
Repeat accuracy [R]	≤ 3%	Degree of protection	IP67
Load current	≤ 100mA	Housing material	Stainless steel
Residual voltage	≤ 6V	Connection type	M8 connector

Dimensions



Wiring diagram



Standard function type inductive sensors **LR05X** series



Features

- ◆ Non contact detection, safe and reliable;
- ◆ ASIC design;
- ◆ Perfect choice for metallic targets detection;



Part number			
NPN NO	LR05XAF08DNO	PNP NO	LR05XAF08DPO
NPN NC	LR05XAF08DNC	PNP NC	LR05XAF08DPC

Technical specifications			
Mounting	Flush	Current consumption	≤10mA
Rated distance [Sn]	0.8mm	Circuit protection	Reverse polarity protection
Assured distance [Sa]	0...0.64mm	Output indicator	Red LED
Dimensions	M5*30mm	Ambient temperature	-25°C...70°C
Output	NO/NC(depends on part number)	Ambient humidity	35-95%RH
Supply voltage	10...30 VDC	Switching frequency [F]	2000 Hz
Standard target	Fe 5*5*1t	Voltage withstand	...
Switch-point drifts [%/Sr]	±10%	Insulation resistance	≥50MΩ(500VDC)
Hysteresis range [%/Sr]	1...20%	Vibration resistance	10...50Hz (1.5mm)
Repeat accuracy [R]	≤3%	Degree of protection	IP67
Load current	≤100mA	Housing material	Stainless steel
Residual voltage	≤2.5V	Connection type	2m PUR cable

Dimensions	Wiring diagram

Standard function type inductive sensors **LR05** series



Features

- ◆ Non contact detection, safe and reliable;
- ◆ ASIC design;
- ◆ Perfect choice for metallic targets detection;



Part number				
NPN NO	LR05AF08DNO	PNP NO	LR05AF08DPO	
NPN NC	LR05AF08DNC	PNP NC	LR05AF08DPC	

Technical specifications			
Mounting	Flush	Current consumption	≤10mA
Rated distance [Sn]	0.8mm	Circuit protection	Reverse polarity protection
Assured distance [Sa]	0...0.64mm	Output indicator	Red LED
Dimensions	M5*30mm	Ambient temperature	-25°C...70°C
Output	NO/NC(depends on part number)	Ambient humidity	35-95%RH
Supply voltage	10...30 VDC	Switching frequency [F]	2000 Hz
Standard target	Fe 5*5*1t	Voltage withstand	...
Switch-point drifts [%/Sr]	±10%	Insulation resistance	≥50MΩ(500VDC)
Hysteresis range [%/Sr]	1...20%	Vibration resistance	10...50Hz (1.5mm)
Repeat accuracy [R]	≤3%	Degree of protection	IP67
Load current	≤100mA	Housing material	Stainless steel
Residual voltage	≤2.5V	Connection type	2m PUR cable

Dimensions	Wiring diagram

Standard function type inductive sensors **LR05** series



Features

- ◆ Non contact detection, safe and reliable;
- ◆ ASIC design;
- ◆ Perfect choice for metallic targets detection;



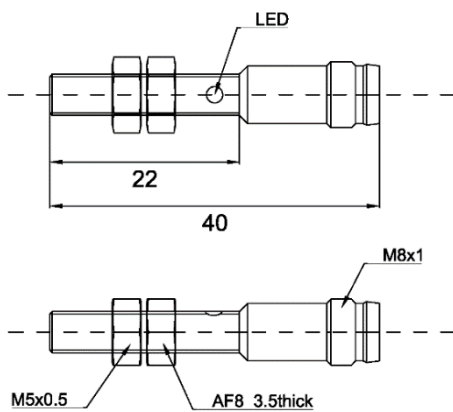
Part number

NPN NO	LR05AF08DNO-E1	PNP NO	LR05AF08DPO-E1
NPN NC	LR05AF08DNC-E1	PNP NC	LR05AF08DPC-E1

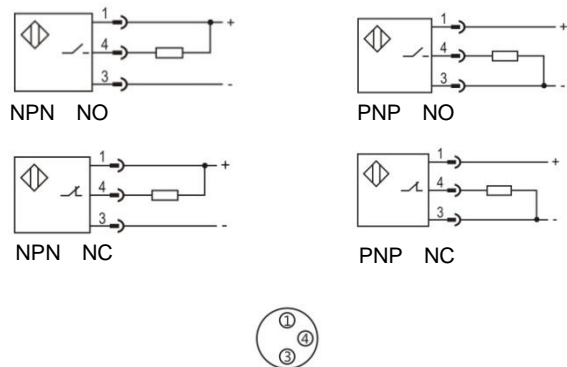
Technical specifications

Mounting	Flush	Current consumption	≤10mA
Rated distance [Sn]	0.8mm	Circuit protection	Reverse polarity protection
Assured distance [Sa]	0...0.64mm	Output indicator	Red LED
Dimensions	M5*40mm	Ambient temperature	-25°C...70°C
Output	NO/NC(depends on part number)	Ambient humidity	35-95%RH
Supply voltage	10...30 VDC	Switching frequency [F]	2000 Hz
Standard target	Fe 5*5*1t	Voltage withstand	...
Switch-point drifts [%/Sr]	±10%	Insulation resistance	≥50MΩ(500VDC)
Hysteresis range [%/Sr]	1...20%	Vibration resistance	10...50Hz (1.5mm)
Repeat accuracy [R]	≤3%	Degree of protection	IP67
Load current	≤100mA	Housing material	Stainless steel
Residual voltage	≤2.5V	Connection type	M8 connector

Dimensions



Wiring diagram



Standard function type inductive sensors **LR04XQ** series



Features

- ◆ Non contact detection, safe and reliable;
- ◆ ASIC design;
- ◆ Perfect choice for metallic targets detection;



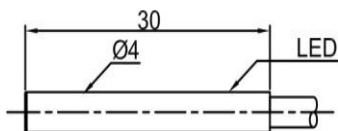
Part number

NPN NO	LR04XQAF08DNO	PNP NO	LR04XQAF08DPO
NPN NC	LR04XQAF08DNC	PNP NC	LR04XQAF08DPC

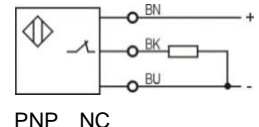
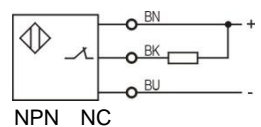
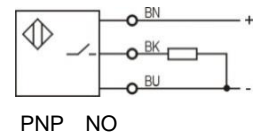
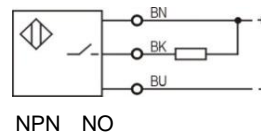
Technical specifications

Mounting	Flush	Current consumption	≤10mA
Rated distance [Sn]	0.8mm	Circuit protection	Reverse polarity protection
Assured distance [Sa]	0...0.64mm	Output indicator	Red LED
Dimensions	Φ4*30mm	Ambient temperature	-25°C...70°C
Output	NO/NC(depends on part number)	Ambient humidity	35-95%RH
Supply voltage	10...30 VDC	Switching frequency [F]	2000 Hz
Standard target	Fe 5*5*1t	Voltage withstand	...
Switch-point drifts [%/Sr]	±10%	Insulation resistance	≥50MΩ(500VDC)
Hysteresis range [%/Sr]	1...20%	Vibration resistance	10...50Hz (1.5mm)
Repeat accuracy [R]	≤3%	Degree of protection	IP67
Load current	≤100mA	Housing material	Stainless steel
Residual voltage	≤2.5V	Connection type	2m PUR cable

Dimensions



Wiring diagram



Standard function type inductive sensors **LR04Q** series



Features

- ◆ Non contact detection, safe and reliable;
- ◆ ASIC design;
- ◆ Perfect choice for metallic targets detection;



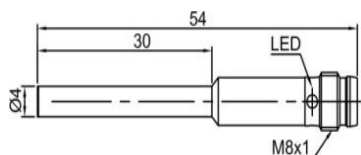
Part number

NPN NO	LR04QAF08DNO-E1	PNP NO	LR04QAF08DPO-E1
NPN NC	LR04QAF08DNC-E1	PNP NC	LR04QAF08DPC-E1

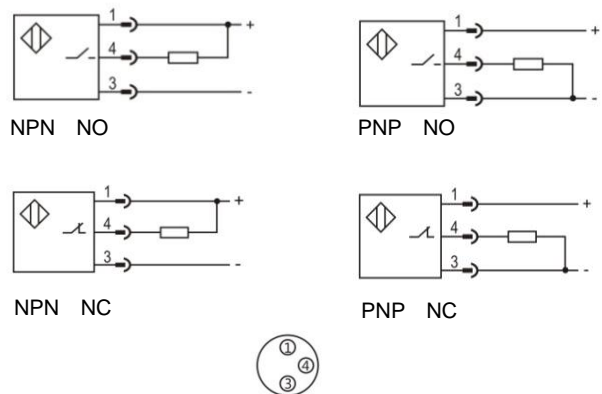
Technical specifications

Mounting	Flush	Current consumption	≤10mA
Rated distance [Sn]	0.8mm	Circuit protection	Reverse polarity protection
Assured distance [Sa]	0...0.64mm	Output indicator	Red LED
Dimensions	Φ4*54mm	Ambient temperature	-25°C...70°C
Output	NO/NC(depends on part number)	Ambient humidity	35-95%RH
Supply voltage	10...30 VDC	Switching frequency [F]	2000 Hz
Standard target	Fe 5*5*1t	Voltage withstand	...
Switch-point drifts [%/Sr]	±10%	Insulation resistance	≥50MΩ(500VDC)
Hysteresis range [%/Sr]	1...20%	Vibration resistance	10...50Hz (1.5mm)
Repeat accuracy [R]	≤3%	Degree of protection	IP67
Load current	≤100mA	Housing material	Stainless steel
Residual voltage	≤2.5V	Connection type	M8 connector

Dimensions



Wiring diagram



Standard function type inductive sensors **LR04** series



Features

- ◆ Non contact detection, safe and reliable;
- ◆ ASIC design;
- ◆ Perfect choice for metallic targets detection;



Part number					
NPN	NO	LR04QAF08DNO	PNP	NO	LR04QAF08DPO
NPN	NC	LR04QAF08DNC	PNP	NC	LR04QAF08DPC

Technical specifications			
Mounting	Flush	Current consumption	≤10mA
Rated distance [Sn]	0.8mm	Circuit protection	Reverse polarity protection
Assured distance [Sa]	0...0.64mm	Output indicator	Red LED
Dimensions	Φ4*30mm	Ambient temperature	-25°C...70°C
Output	NO/NC(dependson part number)	Ambient humidity	35-95%RH
Supply voltage	10...30 VDC	Switching frequency [F]	2000 Hz
Standard target	Fe 5*5*1t	Voltage withstand	...
Switch-point drifts [%/Sr]	±10%	Insulation resistance	≥50MΩ(500VDC)
Hysteresis range [%/Sr]	1...20%	Vibration resistance	10...50Hz (1.5mm)
Repeat accuracy [R]	≤3%	Degree of protection	IP67
Load current	≤100mA	Housing material	Stainless steel
Residual voltage	≤2.5V	Connection type	2m PUR cable

Dimensions	Wiring diagram
	<div style="display: flex; flex-wrap: wrap; justify-content: space-around;"> <div style="text-align: center;"> <p>NPN NO</p> </div> <div style="text-align: center;"> <p>PNP NO</p> </div> <div style="text-align: center;"> <p>NPN NC</p> </div> <div style="text-align: center;"> <p>PNP NC</p> </div> </div>

Metal cylindrical shape inductive sensors **LR05** series



Features

- ◆ Extended sensing distance;
- ◆ ASIC design, safe and reliable;
- ◆ Perfect choice for metallic target detection;



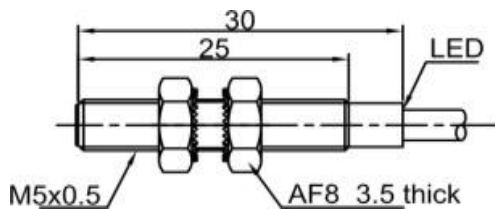
Part number

NPN NO	LR05AF15DNOY	PNP NO	LR05AF15DPOY
NPN NC	LR05AF15DNCY	PNP NC	LR05AF15DPCY

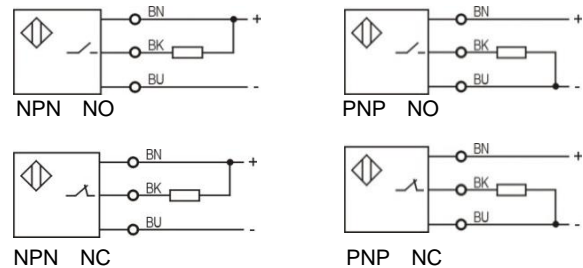
Technical specifications

Mounting	Flush	Current consumption	≤10mA
Rated distance [Sn]	1.5mm	Circuit protection	Reverse polarity
Assured distance [Sa]	0...1.2mm	Output indicator	RedLED
Dimensions	M5*30mm	Ambient temperature	-25°C...70°C
Output	NO/NC(depends on part number)	Ambient humidity	35-95%RH
Supply voltage	10...30 VDC	Switching frequency [F]	1200Hz
Standard target	Fe 5*5*1t	Voltage withstand
Switch-point drifts[%/Sr]	≤±10%	Insulation resistance	≥50MΩ (500VDC)
Hysteresis range [%/Sr]	1...20%	Vibration resistance	10...50Hz (1.5mm)
Repeat accuracy [R]	≤3%	Degree of protection	IP67
Load current	≤100mA	Housing material	Stainless steel
Residual voltage	≤2.5V	Connection type	2m PUR cable

Dimensions



Wiring diagram



Metal cylindrical shape inductive sensors **LR05** series



Features

- ◆ Extended sensing distance;
- ◆ ASIC design, safe and reliable;
- ◆ Perfect choice for metallic target detection;



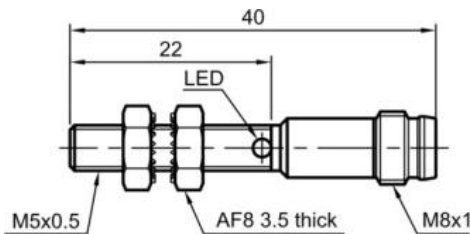
Part number

NPN NO	LR05AF15DNOY-E1	PNP NO	LR05AF15DPOY-E1
NPN NC	LR05AF15DNCY-E1	PNP NC	LR05AF15DPCY-E1

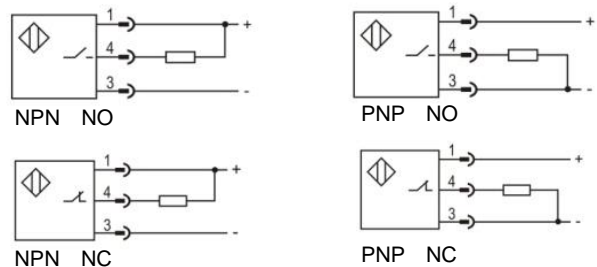
Technical specifications

Mounting	Flush	Current consumption	≤10mA
Rated distance [Sn]	1.5mm	Circuit protection	Reverse polarity
Assured distance [Sa]	0...1.2mm	Output indicator	RedLED
Dimensions	M5*40mm	Ambient temperature	-25°C...70°C
Output	NO/NC(depends on part number)	Ambient humidity	35-95%RH
Supply voltage	10...30 VDC	Switching frequency [F]	1200Hz
Standard target	Fe 5*5*1t	Voltage withstand
Switch-point drifts[%/Sr]	≤ ± 10%	Insulation resistance	≥50MΩ (500VDC)
Hysteresis range [%/Sr]	1...20%	Vibration resistance	10...50Hz (1.5mm)
Repeat accuracy [R]	≤ 3%	Degree of protection	IP67
Load current	≤ 100mA	Housing material	Stainless steel
Residual voltage	≤ 2.5V	Connection type	M8 connector

Dimensions



Wiring diagram



Metal cylindrical shape inductive sensors **LR05X** series



Features

- ◆ Extended sensing distance;
- ◆ ASIC design, safe and reliable;
- ◆ Perfect choice for metallic target detection;



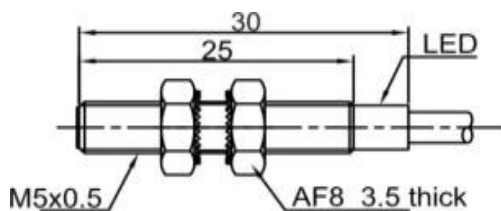
Part number

NPN NO	LR05XAF15DNOY	PNP NO	LR05XAF15DPOY
NPN NC	LR05XAF15DNKY	PNP NC	LR05XAF15DPCY

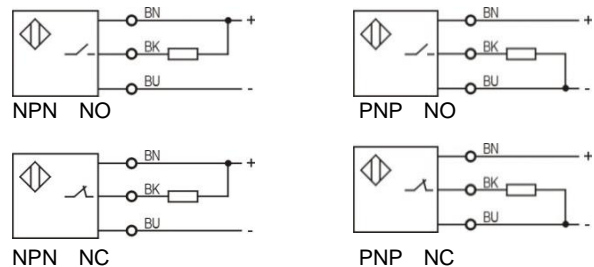
Technical specifications

Mounting	Flush	Current consumption	≤10mA
Rated distance [Sn]	1.5mm	Circuit protection	Reverse polarity
Assured distance [Sa]	0...1.2mm	Output indicator	RedLED
Dimensions	M5*30mm	Ambient temperature	-25°C...70°C
Output	NO/NC(depends on part number)	Ambient humidity	35-95%RH
Supply voltage	10...30 VDC	Switching frequency [F]	1200Hz
Standard target	Fe 5*5*1t	Voltage withstand
Switch-point drifts[%/Sr]	≤±10%	Insulation resistance	≥50MΩ (500VDC)
Hysteresis range [%/Sr]	1...20%	Vibration resistance	10...50Hz (1.5mm)
Repeat accuracy [R]	≤3%	Degree of protection	IP67
Load current	≤100mA	Housing material	Stainless steel
Residual voltage	≤2.5V	Connection type	2m PUR cable

Dimensions



Wiring diagram



Metal cylindrical shape inductive sensors **LR04XQ** series



Features

- ◆ Extended sensing distance;
- ◆ ASIC design, safe and reliable;
- ◆ Perfect choice for metallic target detection;



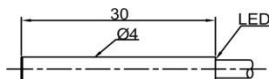
Part number

NPN NO	LR04XQAF15DNOY	PNP NO	LR04XQAF15DPOY
NPN NC	LR04XQAF15DNCY	PNP NC	LR04XQAF15DPCY

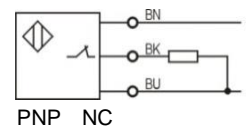
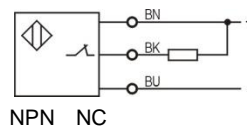
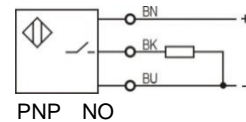
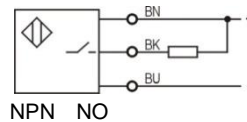
Technical specifications

Mounting	Flush	Current consumption	≤10mA
Rated distance [Sn]	1.5mm	Circuit protection	Reverse polarity
Assured distance [Sa]	0...1.2mm	Output indicator	RedLED
Dimensions	Φ4*30mm	Ambient temperature	-25°C...70°C
Output	NO/NC(depends on part number)	Ambient humidity	35-95%RH
Supply voltage	10...30 VDC	Switching frequency [F]	1200Hz
Standard target	Fe 5*5*1t	Voltage withstand
Switch-point drifts[%/Sr]	≤±10%	Insulation resistance	≥50MΩ (500VDC)
Hysteresis range [%/Sr]	1...20%	Vibration resistance	10...50Hz (1.5mm)
Repeat accuracy [R]	≤3%	Degree of protection	IP67
Load current	≤100mA	Housing material	Stainless steel
Residual voltage	≤2.5V	Connection type	2m PUR cable

Dimensions



Wiring diagram



Metal cylindrical shape inductive sensors **LR04Q** series



Features

- ◆ Extended sensing distance;
- ◆ ASIC design, safe and reliable;
- ◆ Perfect choice for metallic target detection;



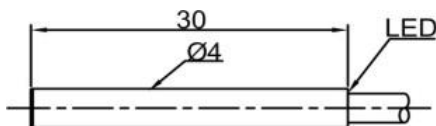
Part number

NPN NO	LR04QAF15DNOY	PNP NO	LR04QAF15DPOY
NPN NC	LR04QAF15DNKY	PNP NC	LR04QAF15DPCY

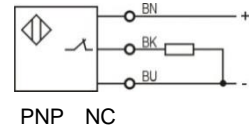
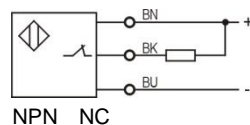
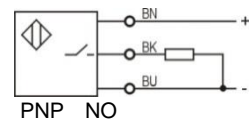
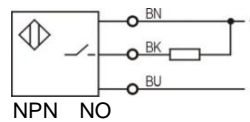
Technical specifications

Mounting	Flush	Current consumption	≤10mA
Rated distance [Sn]	1.5mm	Circuit protection	Reverse polarity
Assured distance [Sa]	0...1.2mm	Output indicator	RedLED
Dimensions	Φ4*30mm	Ambient temperature	-25°C...70°C
Output	NO/NC(depends on part number)	Ambient humidity	35-95%RH
Supply voltage	10...30 VDC	Switching frequency [F]	1200Hz
Standard target	Fe 5*5*1t	Voltage withstand
Switch-point drifts[%/Sr]	≤±10%	Insulation resistance	≥50MΩ (500VDC)
Hysteresis range [%/Sr]	1...20%	Vibration resistance	10...50Hz (1.5mm)
Repeat accuracy [R]	≤3%	Degree of protection	IP67
Load current	≤100mA	Housing material	Stainless steel
Residual voltage	≤2.5V	Connection type	2m PUR cable

Dimensions



Wiring diagram



Metal cylindrical shape inductive sensors **LR04Q** series



Features

- ◆ Extended sensing distance;
- ◆ ASIC design, safe and reliable;
- ◆ Perfect choice for metallic target detection;



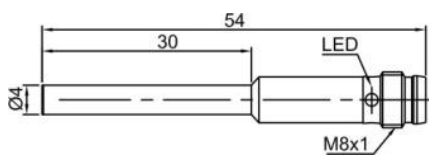
Part number

NPN NO	LR04QAF15DNOY-E1	PNP NO	LR04QAF15DPOY-E1
NPN NC	LR04QAF15DNCY-E1	PNP NC	LR04QAF15DPCY-E1

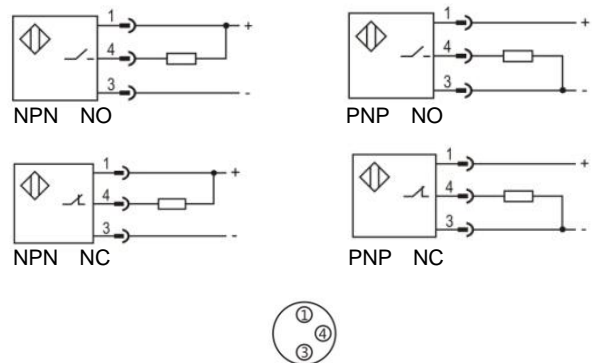
Technical specifications

Mounting	Flush	Current consumption	≤10mA
Rated distance [Sn]	1.5mm	Circuit protection	Reverse polarity
Assured distance [Sa]	0...1.2mm	Output indicator	RedLED
Dimensions	Φ4*54mm	Ambient temperature	-25°C...70°C
Output	NO/NC(depends on part number)	Ambient humidity	35-95%RH
Supply voltage	10...30 VDC	Switching frequency [F]	1200Hz
Standard target	Fe 5*5*1t	Voltage withstand
Switch-point drifts[%/Sr]	≤ ± 10%	Insulation resistance	≥50MΩ (500VDC)
Hysteresis range [%/Sr]	1...20%	Vibration resistance	10...50Hz (1.5mm)
Repeat accuracy [R]	≤ 3%	Degree of protection	IP67
Load current	≤ 100mA	Housing material	Stainless steel
Residual voltage	≤ 2.5V	Connection type	M8 connector

Dimensions



Wiring diagram



Frequency enhanced inductive sensors **LR18X** series



Features

- ◆ High switching frequency, fast response;
- ◆ ASIC technology, more reliable;
- ◆ Perfect choice for high speed detecting application;



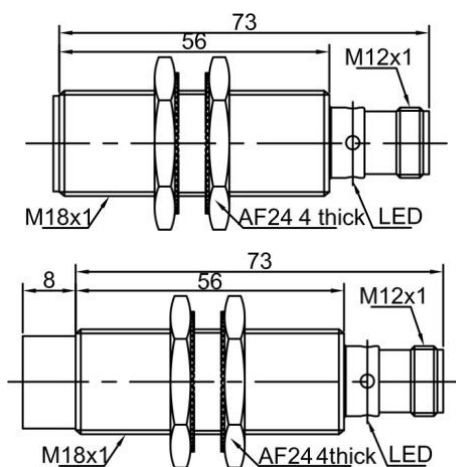
Part number

NPN NO	LR18XCF05DNOG-E2	LR18XCN08DNOG-E2	PNP NO	LR18XCF05DPOG-E2	LR18XCN08DPOG-E2
NPN NC	LR18XCF05DNCG-E2	LR18XCN08DNCG-E2	PNP NC	LR18XCF05DPCG-E2	LR18XCN08DPCG-E2

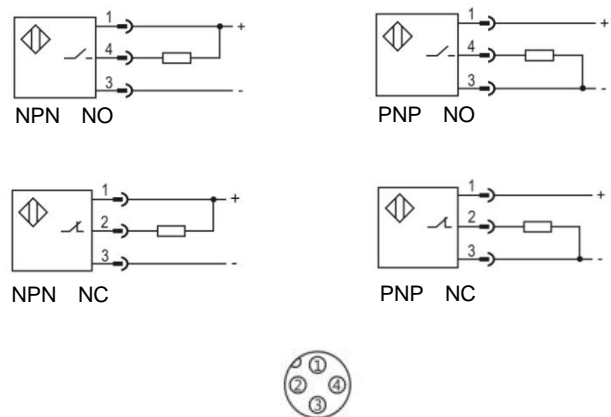
Technical specifications

Mounting	Flush	Non-flush	Current consumption	≤10mA
Rated distance [Sn]	5mm	8mm	Circuit protection	Short-circuit, overload and reverse polarity
Assured distance [Sa]	0...4mm/0...6.4mm		Output indicator	Yellow LED
Dimensions	M18*73mm	M18*81mm	Ambient temperature	-25°C...70°C
Output	NO/NC(depends on part number)		Ambient humidity	35...95%RH
Supply voltage	10...30 VDC		Switching frequency [F]	2000 Hz 1500 Hz
Standard target	Fe 18*18*1t	Fe 24*24*1t	Voltage withstand	1000V/AC 50/60Hz 60s
Switch-point drifts [%/Sr]	≤±10%		Insulation resistance	≥50MΩ(500VDC)
Hysteresis range [%/Sr]	1...20%		Vibration resistance	10...50Hz (1.5mm)
Repeat accuracy [R]	≤3%		Degree of protection	IP67
Load current	≤200mA		Housing material	Nickel-copper alloy
Residual voltage	≤2.5V		Connection type	M12 connector

Dimensions



Wiring diagram



Frequency enhanced inductive sensors **LR18X** series



Features

- ◆ High switching frequency, fast response;
- ◆ ASIC technology, more reliable;
- ◆ Perfect choice for high speed detecting application;



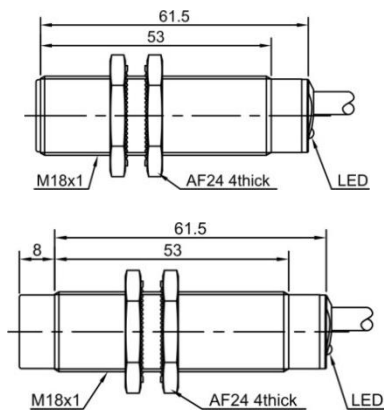
Part number

NPN NO	LR18XCF05DNOG	LR18XCN08DNOG	PNP NO	LR18XCF05DPOG	LR18XCN08DPOG
NPN NC	LR18XCF05DNCG	LR18XCN08DNCG	PNP NC	LR18XCF05DPCG	LR18XCN08DPCG

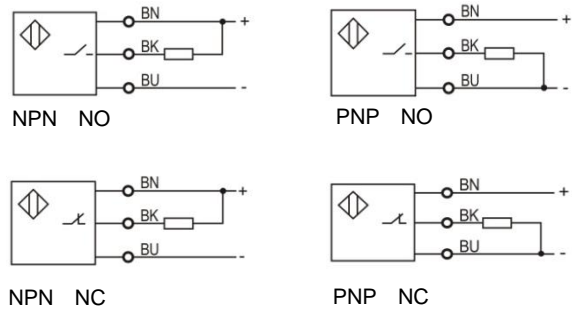
Technical specifications

Mounting	Flush	Non-flush	Current consumption	≤10mA	
Rated distance [Sn]	5mm	8mm	Circuit protection	Short-circuit, overload and reverse polarity	
Assured distance [Sa]	0...4mm 0...6.4mm		Output indicator	Yellow LED	
Dimensions	M18*61.5mm	M18*69.5mm	Ambient temperature	-25°C...70°C	
Output	NO/NC(depends on part number)		Ambient humidity	35...95%RH	
Supply voltage	10...30 VDC		Switching frequency [F]	2000 Hz	1500 Hz
Standard target	Fe 18*18*1t	Fe 24*24*1t	Voltage withstand	1000V/AC 50/60Hz 60s	
Switch-point drifts [%/Sr]	≤±10%		Insulation resistance	≥50MΩ(500VDC)	
Hysteresis range [%/Sr]	1...20%		Vibration resistance	10...50Hz (1.5mm)	
Repeat accuracy [R]	≤3%		Degree of protection	IP67	
Load current	≤200mA		Housing material	Nickel-copper alloy	
Residual voltage	≤2.5V		Connection type	2m PVC cable	

Dimensions



Wiring diagram



Frequency enhanced inductive sensors **LR12X** series



Features

- ◆ High switching frequency, fast response;
- ◆ ASIC technology, more reliable;
- ◆ Perfect choice for high speed detecting application;



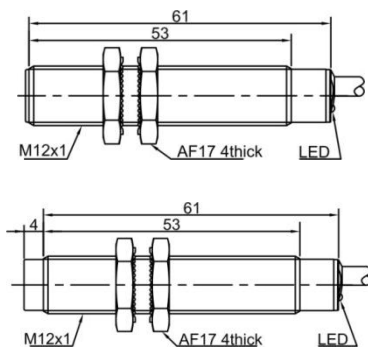
Part number

NPN NO	LR12XCF02DNOG	LR12XCN04DNOG	PNP NO	LR12XCF02DPOG	LR12XCN04DPOG
NPN NC	LR12XCF02DNCG	LR12XCN04DNCG	PNP NC	LR12XCF02DPCG	LR12XCN04DPCG

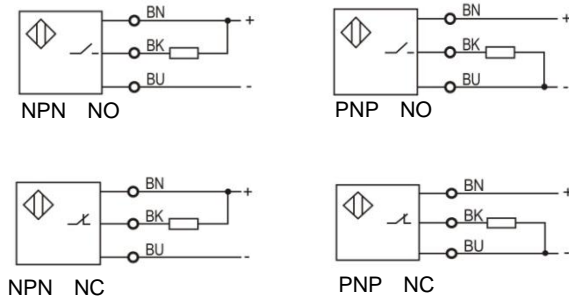
Technical specifications

Mounting	Flush	Non-flush	Current consumption	≤10mA	
Rated distance [Sn]	2mm	4mm	Circuit protection	Short-circuit, overload and reverse polarity	
Assured distance [Sa]	0...1.6mm	0...3.2mm	Output indicator	Yellow LED	
Dimensions	M12*61mm	M12*65mm	Ambient temperature	-25°C...70°C	
Output	NO/NC(depends on part number)		Ambient humidity	35...95%RH	
Supply voltage	10...30 VDC		Switching frequency [F]	4000 Hz	3000 Hz
Standard target	Fe 12*12*1t	Fe 12*12*1t	Voltage withstand	1000V/AC 50/60Hz 60s	
Switch-point drifts [%/Sr]	≤±10%		Insulation resistance	≥50MΩ(500VDC)	
Hysteresis range [%/Sr]	1...20%		Vibration resistance	10...50Hz (1.5mm)	
Repeat accuracy [R]	≤3%		Degree of protection	IP67	
Load current	≤200mA		Housing material	Nickel-copper alloy	
Residual voltage	≤2.5V		Connection type	2m PVC cable	

Dimensions



Wiring diagram



Frequency enhanced inductive sensors **LR12X** series



Features

- ◆ High switching frequency, fast response;
- ◆ ASIC technology, more reliable;
- ◆ Perfect choice for highspeed detecting application;



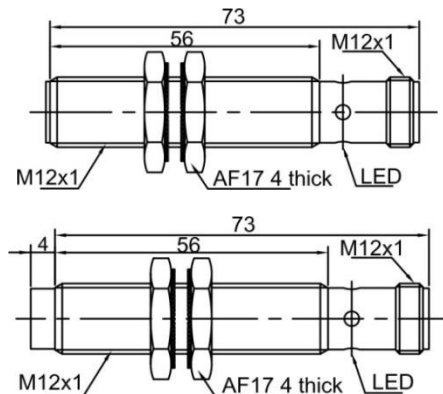
Part number

NPN NO	LR12XCF02DNOG-E2	LR12XCN04DNOG-E2	PNP NO	LR12XCF02DPOG-E2	LR12XCN04DPOG-E2
NPN NC	LR12XCF02DNCG-E2	LR12XCN04DNCG-E2	PNP NC	LR12XCF02DPCG-E2	LR12XCN04DPCG-E2

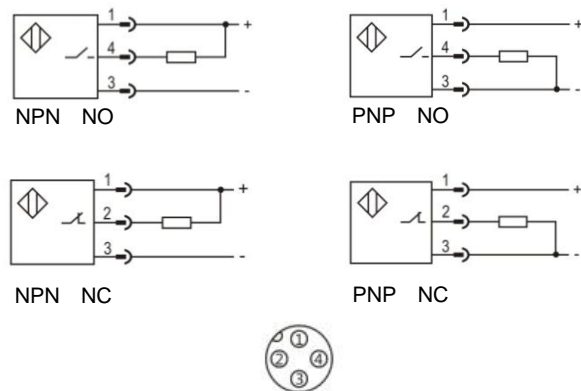
Technical specifications

Mounting	Flush	Non-flush	Current consumption	≤10mA	
Rated distance [Sn]	2mm	4mm	Circuit protection	Short-circuit, overload and reverse polarity	
Assured distance [Sa]	0...1.6mm	0...3.2mm	Output indicator	Yellow LED	
Dimensions	M12*73mm	M12*77mm	Ambient temperature	-25°C...70°C	
Output	NO/NC(depends on part number)		Ambient humidity	35...95%RH	
Supply voltage	10...30 VDC		Switching frequency [F]	4000 Hz	3000 Hz
Standard target	Fe 12*12*1t	Fe 12*12*1t	Voltage withstand	1000V/AC 50/60Hz 60s	
Switch-point drifts [%/Sr]	≤±10%		Insulation resistance	≥50MΩ(500VDC)	
Hysteresis range [%/Sr]	1...20%		Vibration resistance	10...50Hz (1.5mm)	
Repeat accuracy [R]	≤3%		Degree of protection	IP67	
Load current	≤200mA		Housing material	Nickel-copper alloy	
Residual voltage	≤2.5V		Connection type	M12 connector	

Dimensions



Wiring diagram



Standard function type inductive sensors **LR30X** series



Features

- ◆ Non contact detection, safe and reliable;
- ◆ ASIC design;
- ◆ Perfect choice for metallic targets detection;



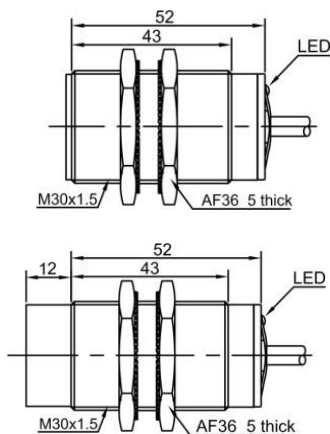
Part number

NPN NO	LR30XBF10DNO	LR30XBN15DNO	PNP NO	LR30XBF10DPO	LR30XBN15DPO
NPN NC	LR30XBF10DNC	LR30XBN15DNC	PNP NC	LR30XBF10DPC	LR30XBN15DPC
NPN NO+NC	LR30XBF10DNR	LR30XBN15DNR	PNP NO+NC	LR30XBF10DPR	LR30XBN15DPR

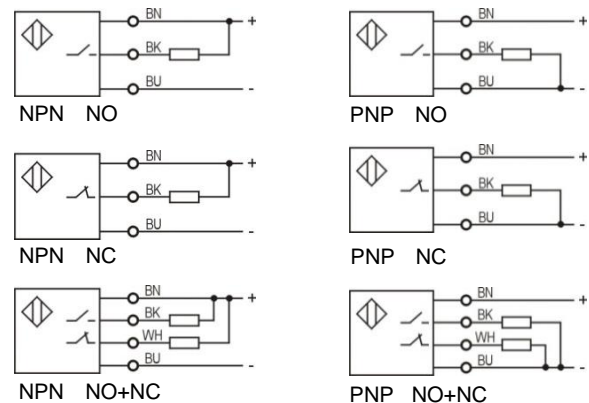
Technical specifications

Mounting	Flush	Non-flush	Current consumption	≤15mA	
Rated distance [Sn]	10mm	15mm	Circuit protection	Short-circuit, overload and reverse polarity	
Assured distance [Sa]	0...8mm	0...12mm	Output indicator	Yellow LED	
Dimensions	M30*52mm	M30*64 mm	Ambient temperature	-25°C...70°C	
Output	NO/NC (depends on part number)		Ambient humidity	35-95%RH	
Supply voltage	10...30 VDC		Switching frequency [F]	500 Hz	300 Hz
Standard target	Fe 30*30*1t	Fe 45*45*1t	Voltage withstand	1000V/AC 50/60Hz 60s	
Switch-point drifts [%/Sr]	±10%		Insulation resistance	≥50MΩ(500VDC)	
Hysteresis range [%/Sr]	1...20%		Vibration resistance	10...50Hz (1.5mm)	
Repeat accuracy [R]	≤3%		Degree of protection	IP67	
Load current	≤200mA		Housing material	Nickel-copper alloy	
Residual voltage	≤2.5V		Connection type	2m PVC cable	

Dimensions



Wiring diagram



Standard function type inductive sensors **LR30X** series



Features

- ◆ Non contact detection, safe and reliable;
- ◆ ASIC design;
- ◆ Perfect choice for metallic targets detection;



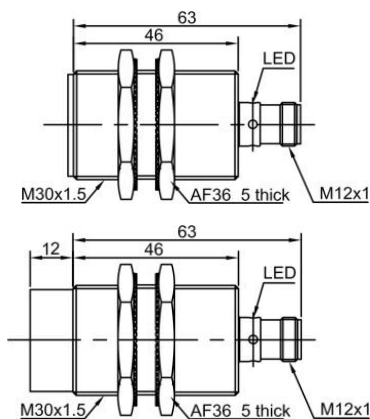
Part number

NPN NO	LR30XBF10DNO-E2	LR30XBN15DNO-E2	PNP NO	LR30XBF10DPO-E2	LR30XBN15DPO-E2
NPN NC	LR30XBF10DNC-E2	LR30XBN15DNC-E2	PNP NC	LR30XBF10DPC-E2	LR30XBN15DPC-E2
NPN NO+NC	LR30XBF10DNR-E2	LR30XBN15DNR-E2	PNP NO+NC	LR30XBF10DPR-E2	LR30XBN15DPR-E2

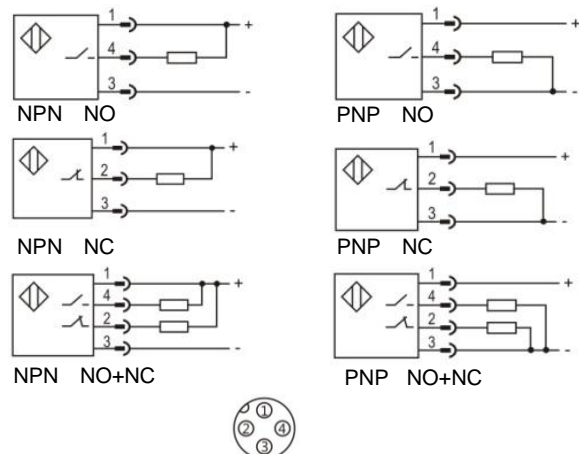
Technical specifications

Mounting	Flush	Non-flush	Current consumption	≤15mA	
Rated distance [Sn]	10mm	15mm	Circuit protection	Short-circuit, overload and reverse polarity	
Assured distance [Sa]	0...8mm	0...12mm	Output indicator	Yellow LED	
Dimensions	M30*63mm	M30*75 mm	Ambient temperature	-25°C...70°C	
Output	NO/NC (depends on part number)		Ambient humidity	35-95%RH	
Supply voltage	10...30 VDC		Switching frequency [F]	500 Hz	300 Hz
Standard target	Fe 30*30*1t	Fe 45*45*1t	Voltage withstand	1000V/AC 50/60Hz 60s	
Switch-point drifts [%/Sr]	±10%		Insulation resistance	≥50MΩ(500VDC)	
Hysteresis range [%/Sr]	1...20%		Vibration resistance	10...50Hz (1.5mm)	
Repeat accuracy [R]	≤3%		Degree of protection	IP67	
Load current	≤200mA		Housing material	Nickel-copper alloy	
Residual voltage	≤2.5V		Connection type	M12 connector	

Dimensions



Wiring diagram



Standard function type inductive sensors **LR30X** series



Features

- ◆ Non contact detection, safe and reliable;
- ◆ ASIC design;
- ◆ Perfect choice for metallic targets detection;



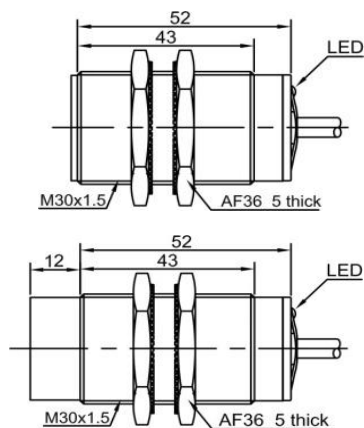
Part number

DC 2 wires NO	LR30XBF10DLO	LR30XBN15DLO	DC 2wires NC	LR30XBF10DLC	LR30XBN15DLC
---------------	--------------	--------------	--------------	--------------	--------------

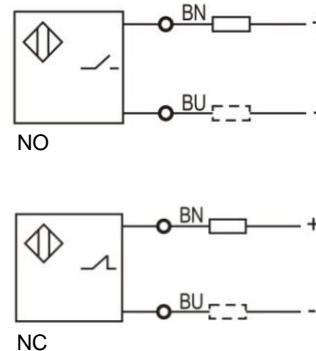
Technical specifications

Mounting	Flush	Non-flush	Leakage current [Ir]	≤1mA	
Rated distance [Sn]	10mm	15mm	Circuit protection	Short-circuit, overload and reverse polarity	
Assured distance [Sa]	0...8mm	0...12mm	Output indicator	Yellow LED	
Dimensions	M30*52mm	M30*64mm	Ambient temperature	-25°C...70°C	
Output	NO/NC(depends on part number)		Ambient humidity	35-95%RH	
Supply voltage	10...30 VDC		Switching frequency [F]	300 Hz	200 Hz
Standard target	Fe 30*30*1t	Fe 45*45*1t	Voltage withstand	1000V/AC 50/60Hz 60s	
Switch-point drifts [%/Sr]	≤ ± 10%		Insulation resistance	≥50MΩ (500VDC)	
Hysteresis range [%/Sr]	1...20%		Vibration resistance	10...50Hz (1.5mm)	
Repeat accuracy [R]	≤ 3%		Degree of protection	IP67	
Load current	≤ 100mA		Housing material	Nickel-copper alloy	
Residual voltage	≤ 6V		Connection type	2m PVC cable	

Dimensions



Wiring diagram



Standard function type inductive sensors **LR30X** series



Features

- ◆ Non contact detection, safe and reliable;
- ◆ ASIC design;
- ◆ Perfect choice for metallic targets detection;



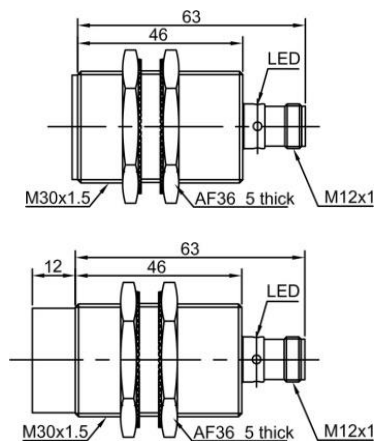
Part number

DC 2 wires NO	LR30XBF10DLO-E2	LR30XBN15DLO-E2	DC 2wires NC	LR30XBF10DLC-E2	LR30XBN15DLC-E2
---------------	-----------------	-----------------	--------------	-----------------	-----------------

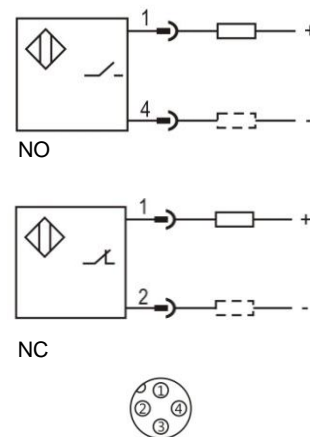
Technical specifications

Mounting	Flush	Non-flush	Leakage current [Ir]	≤1mA	
Rated distance [Sn]	10mm	15mm	Circuit protection	Short-circuit, overload and reverse polarity	
Assured distance [Sa]	0...8mm	0...12mm	Output indicator	Yellow LED	
Dimensions	M30*63mm	M30*75mm	Ambient temperature	-25°C...70°C	
Output	NO/NC(depends on part number)		Ambient humidity	35-95%RH	
Supply voltage	10...30 VDC		Switching frequency [F]	300 Hz	200 Hz
Standard target	Fe 30*30*1t	Fe 45*45*1t	Voltage withstand	1000V/AC 50/60Hz 60s	
Switch-point drifts [%/Sr]	≤ ± 10%		Insulation resistance	≥50MΩ (500VDC)	
Hysteresis range [%/Sr]	1...20%		Vibration resistance	10...50Hz (1.5mm)	
Repeat accuracy [R]	≤ 3%		Degree of protection	IP67	
Load current	≤ 100mA		Housing material	Nickel-copper alloy	
Residual voltage	≤ 6V		Connection type	M12 connector	

Dimensions



Wiring diagram



Standard function type inductive sensors **LR30X** series



Features

- ◆ Non contact detection, safe and reliable;
- ◆ ASIC design;
- ◆ Perfect choice for metallic target detection;



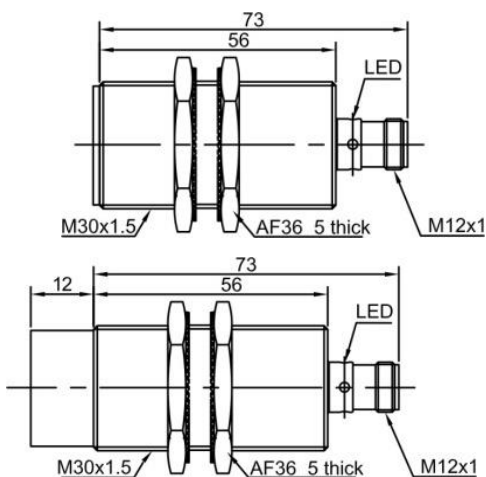
Part number

AC 2 wires NO	LR30XCF10ATO-E2	LR30XCN15ATO-E2	AC 2 wires NC	LR30XCF10ATC-E2	LR30XCN15ATC-E2
---------------	-----------------	-----------------	---------------	-----------------	-----------------

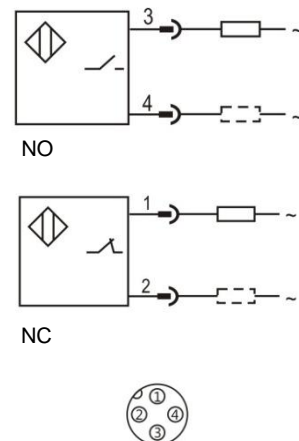
Technical specifications

Mounting	Flush	Non-flush	Leakage current [Ir]	≤3mA
Rated distance [Sn]	10mm	15mm	Circuit protection	...
Assured distance [Sa]	0...8mm	0...12mm	Output indicator	Yellow LED
Dimensions	M30*73mm	M30*85 mm	Ambient temperature	-25°C...70°C
Output	NO/NC(depends on part number)		Ambient humidity	35-95%RH
Supply voltage	20...250 VAC		Switching frequency [F]	20 Hz
Standard target	Fe 30*30*1t	Fe 45*45*1t	Voltage withstand	1000V/AC 50/60Hz 60S
Switch-point drifts [%/Sr]	≤ ± 10%		Insulation resistance	≥50MΩ (500VDC)
Hysteresis range [%/Sr]	1...20%		Vibration resistance	10...50Hz (1.5mm)
Repeat accuracy [R]	≤ 3%		Degree of protection	IP67
Load current	≤ 300mA		Housing material	Nickel-copper alloy
Residual voltage	≤ 10V		Connection type	M12 connector

Dimensions



Wiring diagram



Standard function type inductive sensors **LR30X** series



Features

- ◆ Non contact detection, safe and reliable;
- ◆ ASIC design;
- ◆ Perfect choice for metallic target detection;



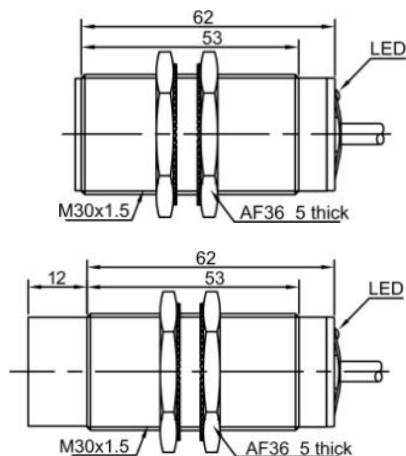
Part number

AC 2 wires NO	LR30XCF10ATO	LR30XCN15ATO	AC 2 wires NC	LR30XCF10ATC	LR30XCN15ATC
---------------	--------------	--------------	---------------	--------------	--------------

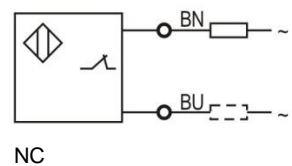
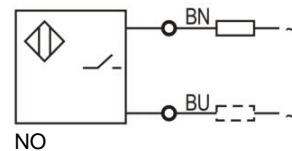
Technical specifications

Mounting	Flush	Non-flush	Leakage current [Ir]	≤3mA
Rated distance [Sn]	10mm	15mm	Circuit protection	...
Assured distance [Sa]	0...8mm	0...12mm	Output indicator	Yellow LED
Dimensions	M30*62mm	M30*74 mm	Ambient temperature	-25°C...70°C
Output	NO/NC(depends on part number)		Ambient humidity	35-95%RH
Supply voltage	20...250 VAC		Switching frequency [F]	20 Hz 20 Hz
Standard target	Fe 30*30*1t	Fe 45*45*1t	Voltage withstand	1000V/AC 50/60Hz 60S
Switch-point drifts [%/Sr]	≤ ± 10%		Insulation resistance	≥50MΩ (500VDC)
Hysteresis range [%/Sr]	1...20%		Vibration resistance	10...50Hz (1.5mm)
Repeat accuracy [R]	≤ 3%		Degree of protection	IP67
Load current	≤ 300mA		Housing material	Nickel-copper alloy
Residual voltage	≤ 10V		Connection type	2m PVC cable

Dimensions



Wiring diagram



Standard function type inductive sensors **LR30X** series



Features

- ◆ Non contact detection, safe and reliable;
- ◆ ASIC design;
- ◆ Perfect choice for metallic targets detection;



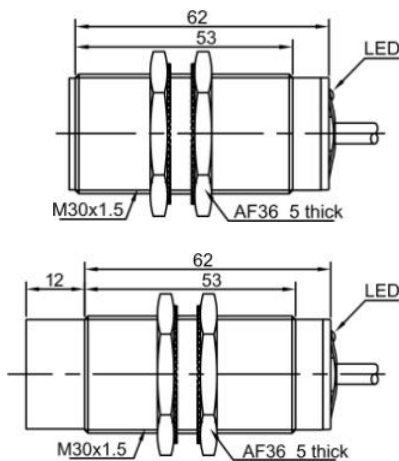
Part number

AC/DC 2 wires NO	LR30XCF10SBO	LR30XCN15SBO	AC/DC 2 wires NC	LR30XCF10SBC	LR30XCN15SBC
------------------	--------------	--------------	------------------	--------------	--------------

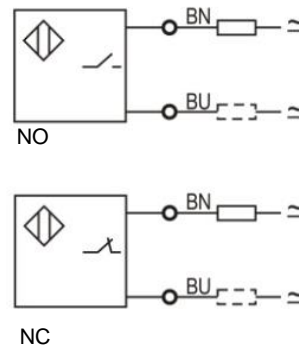
Technical specifications

Mounting	Flush	Non-flush	Leakage current [Ir]	AC: ≤ 3mA	DC: ≤ 1mA
Rated distance [Sn]	10mm	15mm	Circuit protection	...	
Assured distance [Sa]	0...8mm	0...12mm	Output indicator	Yellow LED	
Dimensions	M30*62mm	M30*74 mm	Ambient temperature	-25°C...70°C	
Output	NO/NC(depends on part number)		Ambient humidity	35-95%RH	
Supply voltage	20...250V AC/DC		Switching frequency [F]	AC:20 Hz, DC: 500 Hz	
Standard target	Fe 30*30*1t	Fe 45*45*1t	Voltage withstand	1000V/AC 50/60Hz 60s	
Switch-point drifts [%/Sr]	≤ ± 10%		Insulation resistance	≥ 50MΩ (500VDC)	
Hysteresis range [%/Sr]	1...20%		Vibration resistance	10...50Hz (1.5mm)	
Repeat accuracy [R]	≤ 3%		Degree of protection	IP67	
Load current	AC: ≤ 300mA	DC: ≤ 100mA	Housing material	Nickel-copper alloy	
Residual voltage	AC: ≤ 10V	DC: ≤ 8V	Connection type	2m PVC cable	

Dimensions



Wiring diagram



Standard function type inductive sensors **LR30X** series



Features

- ◆ Non contact detection, safe and reliable;
- ◆ ASIC design;
- ◆ Perfect choice for metallic targets detection;



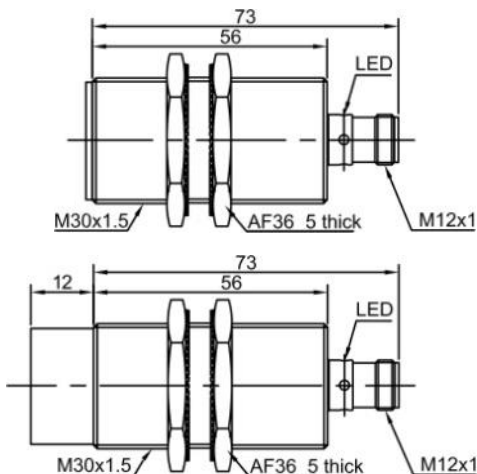
Part number

AC/DC 2 wires NO	LR30XCF10SBO-E2	LR30XCN15SBO-E2	AC/DC 2 wires NC	LR30XCF10SBC-E2	LR30XCN15SBC-E2
------------------	-----------------	-----------------	------------------	-----------------	-----------------

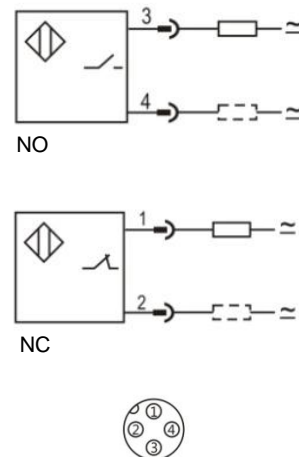
Technical specifications

Mounting	Flush	Non-flush	Leakage current [I _r]	AC: ≤ 3mA	DC: ≤ 1mA
Rated distance [S _n]	10mm	15mm	Circuit protection	...	
Assured distance [S _a]	0...8mm	0...12mm	Output indicator	Yellow LED	
Dimensions	M30*73mm	M30*85 mm	Ambient temperature	-25°C...70°C	
Output	NO/NC(depends on part number)		Ambient humidity	35-95%RH	
Supply voltage	20...250V AC/DC		Switching frequency [F]	AC:20 Hz, DC: 500 Hz	
Standard target	Fe 30*30*1t	Fe 45*45*1t	Voltage withstand	1000V/AC 50/60Hz 60s	
Switch-point drifts [%/Sr]	≤ ± 10%		Insulation resistance	≥ 50MΩ (500VDC)	
Hysteresis range [%/Sr]	1...20%		Vibration resistance	10...50Hz (1.5mm)	
Repeat accuracy [R]	≤ 3%		Degree of protection	IP67	
Load current	AC: ≤ 300mA	DC: ≤ 100mA	Housing material	Nickel-copper alloy	
Residual voltage	AC: ≤ 10V	DC: ≤ 8V	Connection type	M12 connector	

Dimensions



Wiring diagram



Standard function type inductive sensors **LR18X** series



Features

- ◆ Non contact detection, safe and reliable;
- ◆ ASIC design;
- ◆ Perfect choice for metallic targets detection;



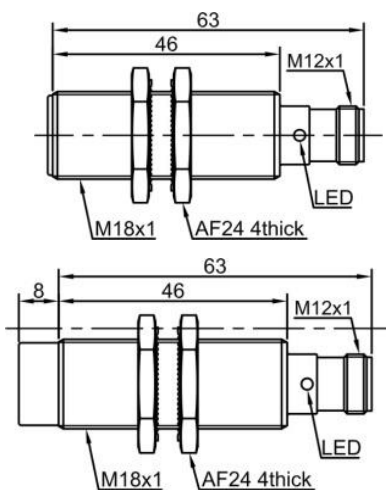
Part number

NPN NO	LR18XBF05DNO-E2	LR18XBN08DNO-E2	PNP NO	LR18XBF05DPO-E2	LR18XBN08DPO-E2
NPN NC	LR18XBF05DNC-E2	LR18XBN08DNC-E2	PNP NC	LR18XBF05DPC-E2	LR18XBN08DPC-E2
NPN NO+NC	LR18XBF05DNR-E2	LR18XBN08DNR-E2	PNP NO+NC	LR18XBF05DPR-E2	LR18XBN08DPR-E2

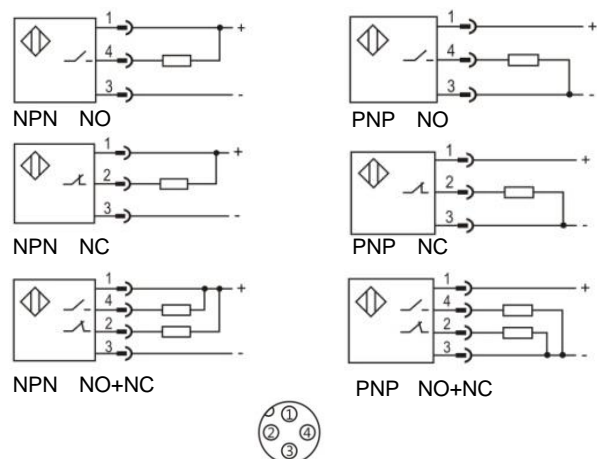
Technical specifications

Mounting	Flush	Non-flush	Current consumption	≤15mA	
Rated distance [Sn]	5mm	8mm	Circuit protection	Short-circuit, overload and reverse polarity	
Assured distance [Sa]	0...4mm	0...6.4mm	Output indicator	Yellow LED	
Dimensions	M18*63mm	M18*71mm	Ambient temperature	-25°C...70°C	
Output	NO/NC (depends on part number)		Ambient humidity	35-95%RH	
Supply voltage	10...30 VDC		Switching frequency [F]	1000 Hz	800 Hz
Standard target	Fe 18*18*1t	Fe 24*24*1t	Voltage withstand	1000V/AC 50/60Hz 60s	
Switch-point drifts [%/Sr]	±10%		Insulation resistance	≥50MΩ(500VDC)	
Hysteresis range [%/Sr]	1...20%		Vibration resistance	10...50Hz (1.5mm)	
Repeat accuracy [R]	≤3%		Degree of protection	IP67	
Load current	≤200mA		Housing material	Nickel-copper alloy	
Residual voltage	≤2.5V		Connection type	M12 connector	

Dimensions



Wiring diagram



Standard function type inductive sensors **LR18X** series



Features

- ◆ Non contact detection, safe and reliable;
- ◆ ASIC design;
- ◆ Perfect choice for metallic targets detection;



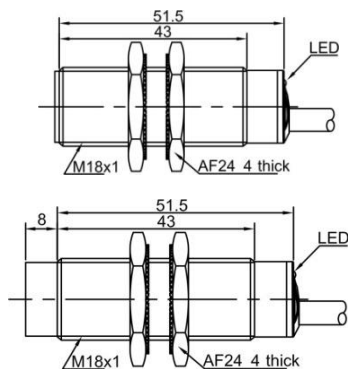
Part number

NPN NO	LR18XBF05DNO	LR18XBN08DNO	PNP NO	LR18XBF05DPO	LR18XBN08DPO
NPN NC	LR18XBF05DNC	LR18XBN08DNC	PNP NC	LR18XBF05DPC	LR18XBN08DPC
NPN NO+NC	LR18XBF05DNR	LR18XBN08DNR	PNP NO+NC	LR18XBF05DPR	LR18XBN08DPR

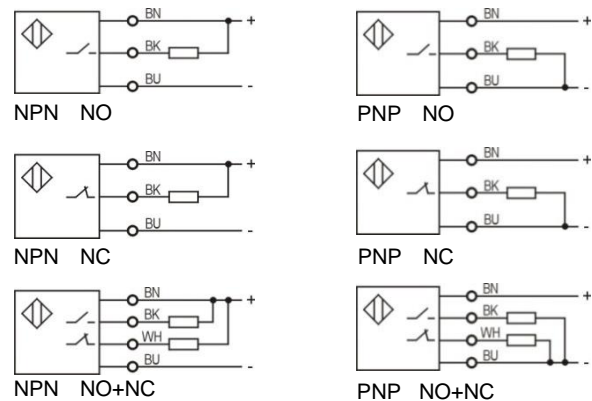
Technical specifications

Mounting	Flush	Non-flush	Current consumption	≤15mA	
Rated distance [Sn]	5mm	8mm	Circuit protection	Short-circuit, overload and reverse polarity	
Assured distance [Sa]	0...4mm 0...6.4mm		Output indicator	Yellow LED	
Dimensions	M18*51.5mm	M18*59.5mm	Ambient temperature	-25°C...70°C	
Output	NO/NC (depends on part number)		Ambient humidity	35-95%RH	
Supply voltage	10...30 VDC		Switching frequency [F]	1000 Hz	800 Hz
Standard target	Fe 18*18*1t	Fe 24*24*1t	Voltage withstand	1000V/AC 50/60Hz 60s	
Switch-point drifts [%/Sr]	±10%		Insulation resistance	≥50MΩ(500VDC)	
Hysteresis range [%/Sr]	1...20%		Vibration resistance	10...50Hz (1.5mm)	
Repeat accuracy [R]	≤3%		Degree of protection	IP67	
Load current	≤200mA		Housing material	Nickel-copper alloy	
Residual voltage	≤2.5V		Connection type	2m PVC cable	

Dimensions



Wiring diagram



Standard function type inductive sensors **LR18X** series



Features

- ◆ Non contact detection, safe and reliable;
- ◆ ASIC design;
- ◆ Perfect choice for metallic targets detection;



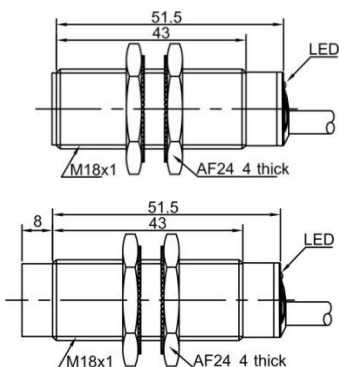
Part number

DC 2 wires NO	LR18XBF05DLO	LR18XBN08DLO	DC 2wires NC	LR18XBF05DLC	LR18XBN08DLC
---------------	--------------	--------------	--------------	--------------	--------------

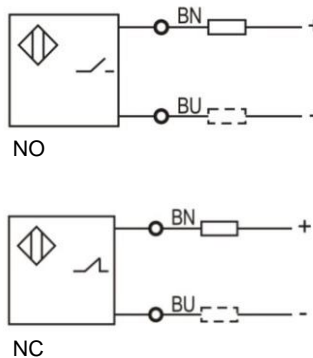
Technical specifications

Mounting	Flush	Non-flush	Leakage current [Ir]	≤1mA	
Rated distance [Sn]	5mm	8mm	Circuit protection	Short-circuit, overload and reverse polarity	
Assured distance [Sa]	0...4mm	0...6.4mm	Output indicator	Yellow LED	
Dimensions	M18*51.5mm	M18*59.5mm	Ambient temperature	-25°C...70°C	
Output	NO/NC(depends on part number)		Ambient humidity	35-95%RH	
Supply voltage	10...30 VDC		Switching frequency [F]	500 Hz	300 Hz
Standard target	Fe 18*18*1t	Fe 24*24*1t	Voltage withstand	1000V/AC 50/60Hz 60s	
Switch-point drifts [%/Sr]	≤ ± 10%		Insulation resistance	≥50MΩ (500VDC)	
Hysteresis range [%/Sr]	1...20%		Vibration resistance	10...50Hz (1.5mm)	
Repeat accuracy [R]	≤ 3%		Degree of protection	IP67	
Load current	≤ 100mA		Housing material	Nickel-copper alloy	
Residual voltage	≤ 6V		Connection type	2m PVC cable	

Dimensions



Wiring diagram



Standard function type inductive sensors **LR18X** series



Features

- ◆ Non contact detection, safe and reliable;
- ◆ ASIC design;
- ◆ Perfect choice for metallic targets detection;



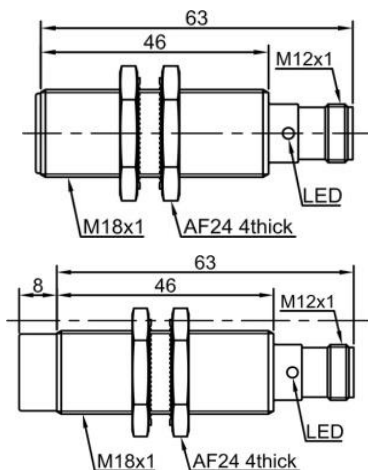
Part number

DC 2 wires NO	LR18XBF05DLO-E2	LR18XBN08DLO-E2	DC 2wires NC	LR18XBF05DLC-E2	LR18XBN08DLC-E2
---------------	-----------------	-----------------	--------------	-----------------	-----------------

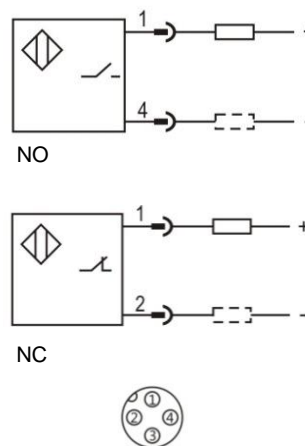
Technical specifications

Mounting	Flush	Non-flush	Leakage current [Ir]	≤1mA	
Rated distance [Sn]	5mm	8mm	Circuit protection	Short-circuit, overload and reverse polarity	
Assured distance [Sa]	0...4mm	0...6.4mm	Output indicator	Yellow LED	
Dimensions	M18*63mm	M18*71mm	Ambient temperature	-25°C...70°C	
Output	NO/NC(depends on part number)		Ambient humidity	35-95%RH	
Supply voltage	10...30 VDC		Switching frequency [F]	500 Hz	300 Hz
Standard target	Fe 18*18*1t	Fe 24*24*1t	Voltage withstand	1000V/AC 50/60Hz 60s	
Switch-point drifts [%/Sr]	≤ ± 10%		Insulation resistance	≥50MΩ (500VDC)	
Hysteresis range [%/Sr]	1...20%		Vibration resistance	10...50Hz (1.5mm)	
Repeat accuracy [R]	≤ 3%		Degree of protection	IP67	
Load current	≤ 100mA		Housing material	Nickel-copper alloy	
Residual voltage	≤ 6V		Connection type	M12 connector	

Dimensions



Wiring diagram



Standard function type inductive sensors **LR18X** series



Features

- ◆ Non contact detection, safe and reliable;
- ◆ ASIC design;
- ◆ Perfect choice for metallic target detection;



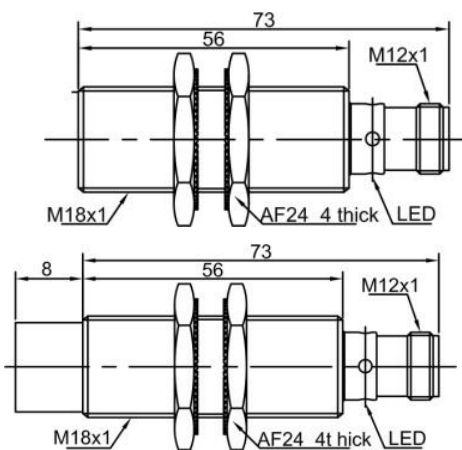
Part number

AC 2 wires NO	LR18XCF05ATO-E2	LR18XCN08ATO-E2	AC 2 wires NC	LR18XCF05ATC-E2	LR18XCN08ATC-E2
---------------	-----------------	-----------------	---------------	-----------------	-----------------

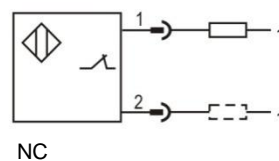
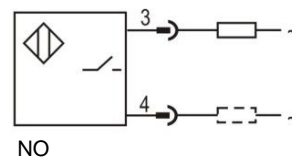
Technical specifications

Mounting	Flush	Non-flush	Leakage current [Ir]	≤3mA
Rated distance [Sn]	5mm	8mm	Circuit protection
Assured distance [Sa]	0...4mm	0...6.4mm	Output indicator	Yellow LED
Dimensions	M18*73mm	M18*81 mm	Ambient temperature	-25°C...70°C
Output	NO/NC(depends on part number)		Ambient humidity	35-95%RH
Supply voltage	20...250 VAC		Switching frequency [F]	20 Hz 20 Hz
Standard target	Fe 18*18*1t	Fe 24*24*1t	Voltage withstand	1000V/AC 50/60Hz 60S
Switch-point drifts [%/Sr]	≤ ± 10%		Insulation resistance	≥50MΩ (500VDC)
Hysteresis range [%/Sr]	1...20%		Vibration resistance	10...50Hz (1.5mm)
Repeat accuracy [R]	≤ 3%		Degree of protection	IP67
Load current	≤ 300mA		Housing material	Nickel-copper alloy
Residual voltage	≤ 10V		Connection type	M12 connector

Dimensions



Wiring diagram



Standard function type inductive sensors **LR18X** series



Features

- ◆ Non contact detection, safe and reliable;
- ◆ ASIC design;
- ◆ Perfect choice for metallic target detection;



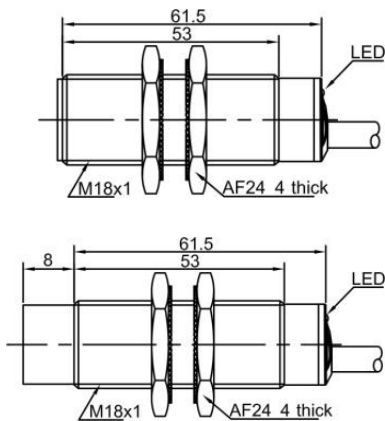
Part number

AC 2 wires NO	LR18XCF05ATO	LR18XCN08ATO	AC 2 wires NC	LR18XCF05ATC	LR18XCN08ATC
---------------	--------------	--------------	---------------	--------------	--------------

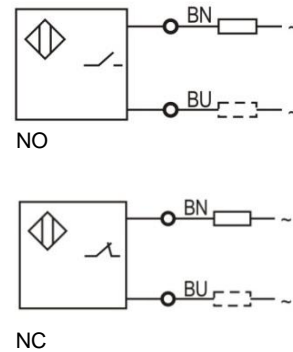
Technical specifications

Mounting	Flush	Non-flush	Leakage current [I _r]	≤3mA
Rated distance [S _n]	5mm	8mm	Circuit protection
Assured distance [S _a]	0...4mm	0...6.4mm	Output indicator	Yellow LED
Dimensions	M18*61.5mm	M18*69.5 mm	Ambient temperature	-25°C...70°C
Output	NO/NC(depends on part number)		Ambient humidity	35-95%RH
Supply voltage	20...250 VAC		Switching frequency [F]	20 Hz 20 Hz
Standard target	Fe 18*18*1t	Fe 24*24*1t	Voltage withstand	1000V/AC 50/60Hz 60S
Switch-point drifts [%/Sr]	≤ ± 10%		Insulation resistance	≥50MΩ (500VDC)
Hysteresis range [%/Sr]	1...20%		Vibration resistance	10...50Hz (1.5mm)
Repeat accuracy [R]	≤ 3%		Degree of protection	IP67
Load current	≤ 300mA		Housing material	Nickel-copper alloy
Residual voltage	≤ 10V		Connection type	2m PVC cable

Dimensions



Wiring diagram



Standard function type inductive sensors **LR18X** series



Features

- ◆ Non contact detection, safe and reliable;
- ◆ ASIC design;
- ◆ Perfect choice for metallic targets detection;



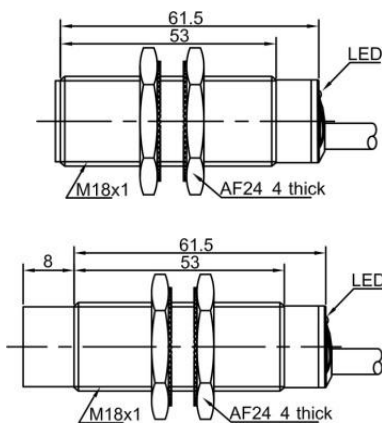
Part number

AC/DC 2 wires NO	LR18XCF05SBO	LR18XCN08SBO	AC/DC 2 wires NC	LR18XCF05SBC	LR18XCN08SBC
------------------	--------------	--------------	------------------	--------------	--------------

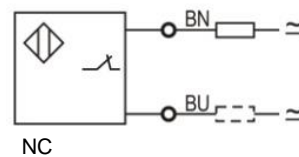
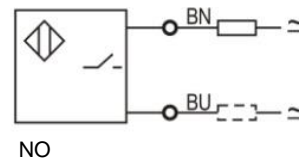
Technical specifications

Mounting	Flush	Non-flush	Leakage current [Ir]	AC: ≤ 3mA	DC: ≤ 1mA
Rated distance [Sn]	5mm	8mm	Circuit protection	...	
Assured distance [Sa]	0...4mm	0...6.4mm	Output indicator	Yellow LED	
Dimensions	M18*61.5mm	M18*69.5 mm	Ambient temperature	-25°C...70°C	
Output	NO/NC(depends on part number)		Ambient humidity	35-95%RH	
Supply voltage	20...250V AC/DC		Switching frequency [F]	AC:20 Hz, DC: 500 Hz	
Standard target	Fe 18*18*1t	Fe 24*24*1t	Voltage withstand	1000V/AC 50/60Hz 60s	
Switch-point drifts [%/Sr]	≤ ± 10%		Insulation resistance	≥ 50MΩ (500VDC)	
Hysteresis range [%/Sr]	1...20%		Vibration resistance	10...50Hz (1.5mm)	
Repeat accuracy [R]	≤ 3%		Degree of protection	IP67	
Load current	AC: ≤ 300mA	DC: ≤ 100mA	Housing material	Nickel-copper alloy	
Residual voltage	AC: ≤ 10V	DC: ≤ 8V	Connection type	2m PVC cable	

Dimensions



Wiring diagram



Standard function type inductive sensors **LR18X** series



Features

- ◆ Non contact detection, safe and reliable;
- ◆ ASIC design;
- ◆ Perfect choice for metallic target detection;



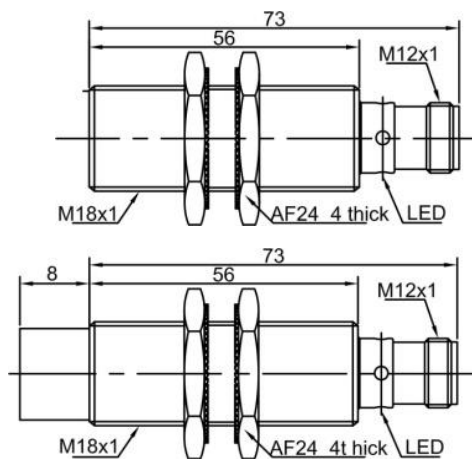
Part number

AC/DC 2 wires NO	LR18XCF05SBO-E2	LR18XCN08SBO-E2	AC/DC 2 wires NC	LR18XCF05SBC-E2	LR18XCN08SBC-E2
------------------	-----------------	-----------------	------------------	-----------------	-----------------

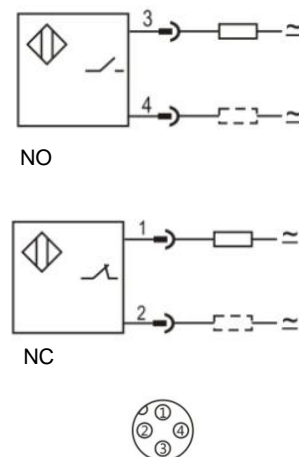
Technical specifications

Mounting	Flush	Non-flush	Leakage current [Ir]	AC: ≤ 3mA	DC: ≤ 1mA
Rated distance [Sn]	5mm	8mm	Circuit protection	...	
Assured distance [Sa]	0...4mm	0...6.4mm	Output indicator	Yellow LED	
Dimensions	M18*73mm	M18*81 mm	Ambient temperature	-25°C...70°C	
Output	NO/NC(depends on part number)		Ambient humidity	35-95%RH	
Supply voltage	20...250V AC/DC		Switching frequency [F]	AC:20 Hz, DC: 500 Hz	
Standard target	Fe 18*18*1t	Fe 24*24*1t	Voltage withstand	1000V/AC 50/60Hz 60s	
Switch-point drifts [%/Sr]	≤ ± 10%		Insulation resistance	≥ 50MΩ (500VDC)	
Hysteresis range [%/Sr]	1...20%		Vibration resistance	10...50Hz (1.5mm)	
Repeat accuracy [R]	≤ 3%		Degree of protection	IP67	
Load current	AC: ≤ 300mA	DC: ≤ 100mA	Housing material	Nickel-copper alloy	
Residual voltage	AC: ≤ 10V	DC: ≤ 8V	Connection type	M12 connector	

Dimensions



Wiring diagram



Standard function type inductive sensors **LR12X** series



Features

- ◆ Non contact detection, safe and reliable;
- ◆ ASIC design;
- ◆ Perfect choice for metallic targets detection;



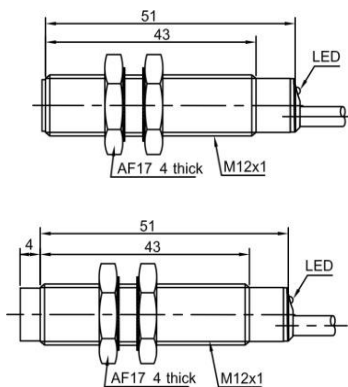
Part number

NPN NO	LR12XBF02DNO	LR12XBN04DNO	PNP NO	LR12XBF02DPO	LR12XBN04DPO
NPN NC	LR12XBF02DNC	LR12XBN04DNC	PNP NC	LR12XBF02DPC	LR12XBN04DPC
NPN NO+NC	LR12XBF02DNR	LR12XBN04DNR	PNP NO+NC	LR12XBF02DPR	LR12XBN04DPR

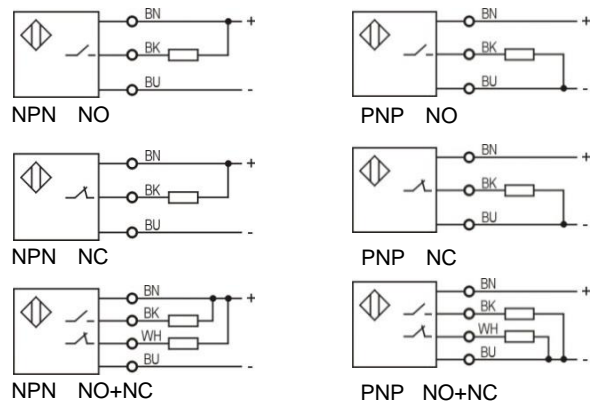
Technical specifications

Mounting	Flush	Non-flush	Current consumption	≤15mA	
Rated distance [Sn]	2mm	4mm	Circuit protection	Short-circuit, overload and reverse polarity	
Assured distance [Sa]	0...1.6mm	0...3.2mm	Output indicator	Yellow LED	
Dimensions	M12*51mm	M12*55 mm	Ambient temperature	-25°C...70°C	
Output	NO/NC (depends on part number)		Ambient humidity	35-95%RH	
Supply voltage	10...30 VDC		Switching frequency [F]	1500 Hz	1000 Hz
Standard target	Fe 12*12*1t	Fe 12*12*1t	Voltage withstand	1000V/AC 50/60Hz 60s	
Switch-point drifts [%/Sr]	±10%		Insulation resistance	≥50MΩ(500VDC)	
Hysteresis range [%/Sr]	1...20%		Vibration resistance	10...50Hz (1.5mm)	
Repeat accuracy [R]	≤3%		Degree of protection	IP67	
Load current	≤200mA		Housing material	Nickel-copper alloy	
Residual voltage	≤2.5V		Connection type	2m PVC cable	

Dimensions



Wiring diagram



Standard function type inductive sensors **LR12X** series



Features

- ◆ Non contact detection, safe and reliable;
- ◆ ASIC design;
- ◆ Perfect choice for metallic targets detection;



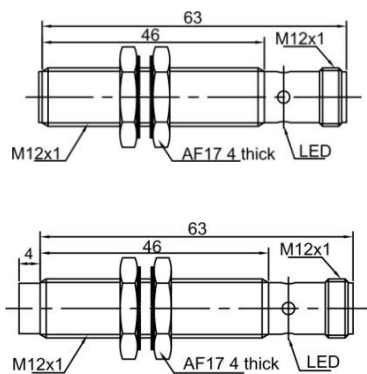
Part number

NPN NO	LR12XBF02DNO-E2	LR12XBN04DNO-E2	PNP NO	LR12XBF02DPO-E2	LR12XBN04DPO-E2
NPN NC	LR12XBF02DNC-E2	LR12XBN04DNC-E2	PNP NC	LR12XBF02DPC-E2	LR12XBN04DPC-E2
NPN NO+NC	LR12XBF02DNR-E2	LR12XBN04DNR-E2	PNP NO+NC	LR12XBF02DPR-E2	LR12XBN04DPR-E2

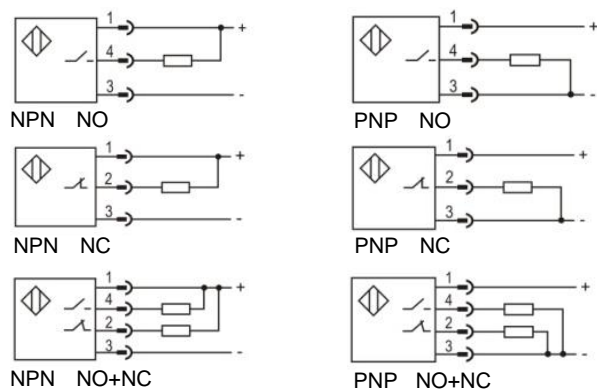
Technical specifications

Mounting	Flush	Non-flush	Current consumption	≤15mA	
Rated distance [Sn]	2mm	4mm	Circuit protection	Short-circuit, overload and reverse polarity	
Assured distance [Sa]	0...1.6mm	0...3.2mm	Output indicator	Yellow LED	
Dimensions	M12*63mm	M12*67 mm	Ambient temperature	-25°C...70°C	
Output	NO/NC(dependson part number)		Ambient humidity	35-95%RH	
Supply voltage	10...30 VDC		Switching frequency [F]	1500 Hz	1000 Hz
Standard target	Fe 12*12*1t	Fe 12*12*1t	Voltage withstand	1000V/AC 50/60Hz 60s	
Switch-point drifts [%/Sr]	±10%		Insulation resistance	≥50MΩ(500VDC)	
Hysteresis range [%/Sr]	1...20%		Vibration resistance	10...50Hz (1.5mm)	
Repeat accuracy [R]	≤3%		Degree of protection	IP67	
Load current	≤200mA		Housing material	Nickel-copper alloy	
Residual voltage	≤2.5V		Connection type	M12 connector	

Dimensions



Wiring diagram



Standard function type inductive sensors **LR12X** series



Features

- ◆ Non contact detection, safe and reliable;
- ◆ ASIC design;
- ◆ Perfect choice for metallic targets detection;



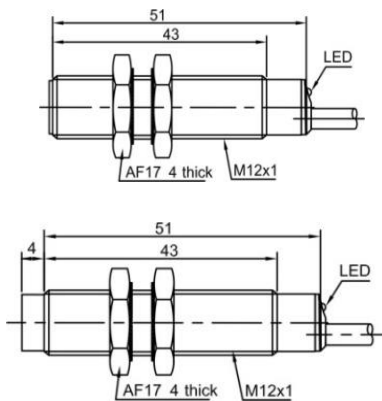
Part number

DC 2 wires NO	LR12XBF02DLO	LR12XBN04DLO	DC 2wires NC	LR12XBF02DLC	LR12XBN04DLC
---------------	--------------	--------------	--------------	--------------	--------------

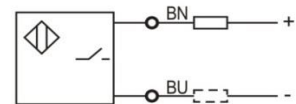
Technical specifications

Mounting	Flush	Non-flush	Leakage current [Ir]	≤1mA	
Rated distance [Sn]	2mm	4mm	Circuit protection	Short-circuit, overload and reverse polarity	
Assured distance [Sa]	0...1.6mm	0...3.2mm	Output indicator	Yellow LED	
Dimensions	M12*51mm	M12*55mm	Ambient temperature	-25°C...70°C	
Output	NO/NC(depends on part number)		Ambient humidity	35-95%RH	
Supply voltage	10...30 VDC		Switching frequency [F]	800 Hz	500 Hz
Standard target	Fe 12*12*1t	Fe 12*12*1t	Voltage withstand	1000V/AC 50/60Hz 60s	
Switch-point drifts [%/Sr]	≤ ± 10%		Insulation resistance	≥50MΩ (500VDC)	
Hysteresis range [%/Sr]	1...20%		Vibration resistance	10...50Hz (1.5mm)	
Repeat accuracy [R]	≤3%		Degree of protection	IP67	
Load current	≤100mA		Housing material	Nickel-copper alloy	
Residual voltage	≤6V		Connection type	2m PVC cable	

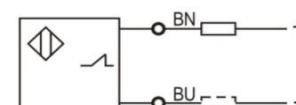
Dimensions



Wiring diagram



NO



NC

Standard function type inductive sensors **LR12X** series



Features

- ◆ Non contact detection, safe and reliable;
- ◆ ASIC design;
- ◆ Perfect choice for metallic target detection;



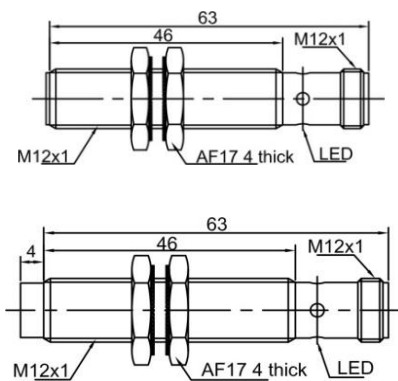
Part number

DC 2 wires NO	LR12XBF02DLO-E2	LR12XBN04DLO-E2	DC 2wires NC	LR12XBF02DLC-E2	LR12XBN04DLC-E2
---------------	-----------------	-----------------	--------------	-----------------	-----------------

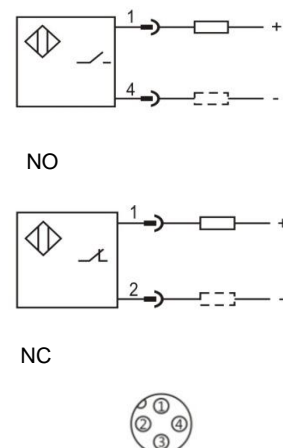
Technical specifications

Mounting	Flush	Non-flush	Leakage current [Ir]	≤1mA	
Rated distance [Sn]	2mm	4mm	Circuit protection	Short-circuit, overload and reverse polarity	
Assured distance [Sa]	0...1.6mm	0...3.2mm	Output indicator	Yellow LED	
Dimensions	M12*63mm	M12*67mm	Ambient temperature	-25°C...70°C	
Output	NO/NC(depends on part number)		Ambient humidity	35-95%RH	
Supply voltage	10...30 VDC		Switching frequency [F]	800 Hz	500 Hz
Standard target	Fe 12*12*1t	Fe 12*12*1t	Voltage withstand	1000V/AC 50/60Hz 60s	
Switch-point drifts [%/Sr]	≤ ± 10%		Insulation resistance	≥50MΩ (500VDC)	
Hysteresis range [%/Sr]	1...20%		Vibration resistance	10...50Hz (1.5mm)	
Repeat accuracy [R]	≤3%		Degree of protection	IP67	
Load current	≤100mA		Housing material	Nickel-copper alloy	
Residual voltage	≤6V		Connection type	M12 connector	

Dimensions



Wiring diagram



Standard function type inductive sensors **LR12X** series



Features

- ◆ Non contact detection, safe and reliable;
- ◆ ASIC design;
- ◆ Perfect choice for metallic target detection;



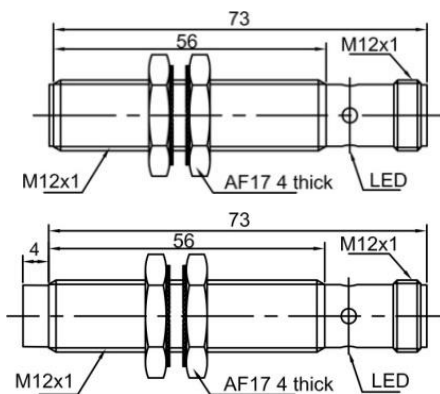
Part number

AC 2 wires NO	LR12XCF02ATO-E2	LR12XCN04ATO-E2	AC 2 wires NC	LR12XCF02ATC-E2	LR12XCN04ATC-E2
---------------	-----------------	-----------------	---------------	-----------------	-----------------

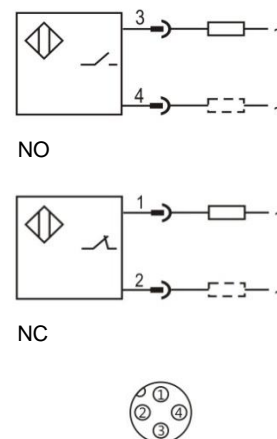
Technical specifications

Mounting	Flush	Non-flush	Leakage current [Ir]	≤3mA
Rated distance [Sn]	2mm	4mm	Circuit protection	...
Assured distance [Sa]	0...1.6mm	0...3.2mm	Output indicator	Yellow LED
Dimensions	M12*73mm	M12*77 mm	Ambient temperature	-25°C...70°C
Output	NO/NC(depends on part number)		Ambient humidity	35-95%RH
Supply voltage	20...250 VAC		Switching frequency [F]	20 Hz 20 Hz
Standard target	Fe 12*12*1t	Fe 12*12*1t	Voltage withstand	1000V/AC 50/60Hz 60S
Switch-point drifts [%/Sr]	≤ ± 10%		Insulation resistance	≥50MΩ (500VDC)
Hysteresis range [%/Sr]	1...20%		Vibration resistance	10...50Hz (1.5mm)
Repeat accuracy [R]	≤ 3%		Degree of protection	IP67
Load current	≤ 200mA		Housing material	Nickel-copper alloy
Residual voltage	≤ 10V		Connection type	M12 connector

Dimensions



Wiring diagram



Standard function type inductive sensors **LR12X** series



Features

- ◆ Non contact detection, safe and reliable;
- ◆ ASIC design;
- ◆ Perfect choice for metallic targets detection;



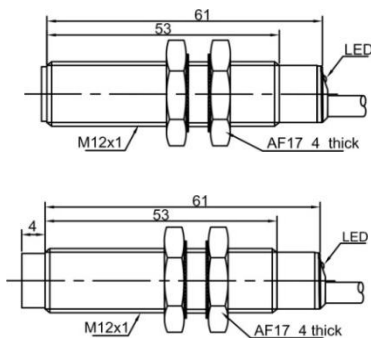
Part number

AC 2 wires NO	LR12XCF02ATO	LR12XCN04ATO	AC 2 wires NC	LR12XCF02ATC	LR12XCN04ATC
---------------	--------------	--------------	---------------	--------------	--------------

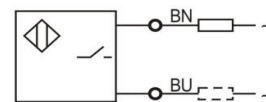
Technical specifications

Mounting	Flush	Non-flush	Leakage current [I _r]	≤3mA
Rated distance [S _n]	2mm	4mm	Circuit protection
Assured distance [S _a]	0...1.6mm	0...3.2mm	Output indicator	Yellow LED
Dimensions	M12*61mm	M12*65mm	Ambient temperature	-25°C...70°C
Output	NO/NC(depends on part number)		Ambient humidity	35-95%RH
Supply voltage	20...250 VAC		Switching frequency [F]	20 Hz 20 Hz
Standard target	Fe 12*12*1t	Fe 12*12*1t	Voltage withstand	1000V/AC 50/60Hz 60S
Switch-point drifts [%/Sr]	≤ ± 10%		Insulation resistance	≥50MΩ (500VDC)
Hysteresis range [%/Sr]	1...20%		Vibration resistance	10...50Hz (1.5mm)
Repeat accuracy [R]	≤ 3%		Degree of protection	IP67
Load current	≤ 200mA		Housing material	Nickel-copper alloy
Residual voltage	≤ 10V		Connection type	2m PVC cable

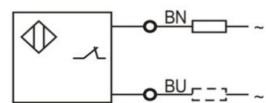
Dimensions



Wiring diagram



NO



NC

Standard function type inductive sensors **LR08** series



Features

- ◆ Non contact detection, safe and reliable;
- ◆ ASIC design;
- ◆ Perfect choice for metallic targets detection;



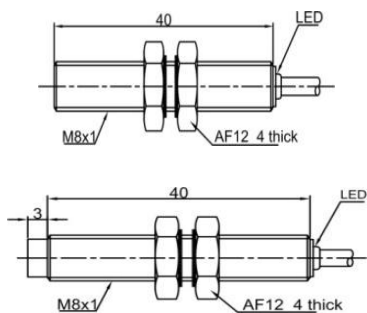
Part number

NPN NO	LR08BF15DNO	LR08BN02DNO	PNP NO	LR08BF15DPO	LR08BN02DPO
NPN NC	LR08BF15DNC	LR08BN02DNC	PNP NC	LR08BF15DPC	LR08BN02DPC

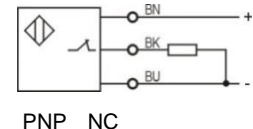
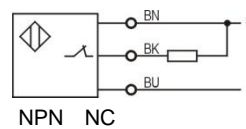
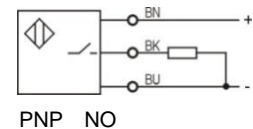
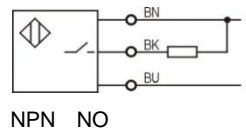
Technical specifications

Mounting	Flush	Non-flush	Current consumption	≤10mA	
Rated distance [Sn]	1.5mm	2mm	Circuit protection	Short-circuit, overload and reverse polarity	
Assured distance [Sa]	0...1.2mm	0...1.6mm	Output indicator	Yellow LED	
Dimensions	M8*40mm	M8*43mm	Ambient temperature	-25°C...70°C	
Output	NO/NC(depends on part number)		Ambient humidity	35-95%RH	
Supply voltage	10...30 VDC		Switching frequency [F]	2000 Hz	1500Hz
Standard target	Fe 8*8*1t	Fe 8*8*1t	Voltage withstand	...	
Switch-point drifts [%/Sr]	±10%		Insulation resistance	≥50MΩ(500VDC)	
Hysteresis range [%/Sr]	1...20%		Vibration resistance	10...50Hz (1.5mm)	
Repeat accuracy [R]	≤3%		Degree of protection	IP67	
Load current	≤150mA		Housing material	Stainless steel	
Residual voltage	≤2.5V		Connection type	2m PVC cable	

Dimensions



Wiring diagram



Standard function type inductive sensors **LR08** series



Features

- ◆ Non contact detection, safe and reliable;
- ◆ ASIC design;
- ◆ Perfect choice for metallic targets detection;



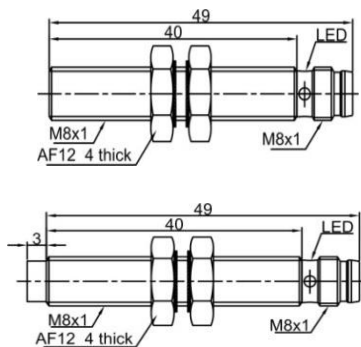
Part number

NPN NO	LR08BF15DNO-E1	LR08BN02DNO-E1	PNP NO	LR08BF15DPO-E1	LR08BN02DPO-E1
NPN NC	LR08BF15DNC-E1	LR08BN02DNC-E1	PNP NC	LR08BF15DPC-E1	LR08BN02DPC-E1

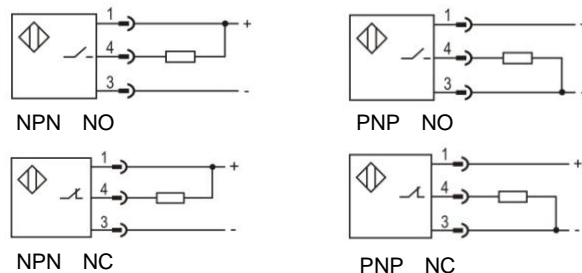
Technical specifications

Mounting	Flush	Non-flush	Current consumption	≤10mA	
Rated distance [Sn]	1.5mm	2mm	Circuit protection	Short-circuit, overload and reverse polarity	
Assured distance [Sa]	0...1.2mm	0...1.6mm	Output indicator	Yellow LED	
Dimensions	M8*49mm	M8*52mm	Ambient temperature	-25°C...70°C	
Output	NO/NC(depends on part number)		Ambient humidity	35-95%RH	
Supply voltage	10...30 VDC		Switching frequency [F]	2000 Hz	1500Hz
Standard target	Fe 8*8*1t	Fe 8*8*1t	Voltage withstand	...	
Switch-point drifts [%/Sr]	±10%		Insulation resistance	≥50MΩ(500VDC)	
Hysteresis range [%/Sr]	1...20%		Vibration resistance	10...50Hz (1.5mm)	
Repeat accuracy [R]	≤3%		Degree of protection	IP67	
Load current	≤150mA		Housing material	Stainless steel	
Residual voltage	≤2.5V		Connection type	M8 connector	

Dimensions



Wiring diagram



Standard function type inductive sensors **LR08** series



Features

- ◆ Non contact detection, safe and reliable;
- ◆ ASIC design;
- ◆ Perfect choice for metallic targets detection;



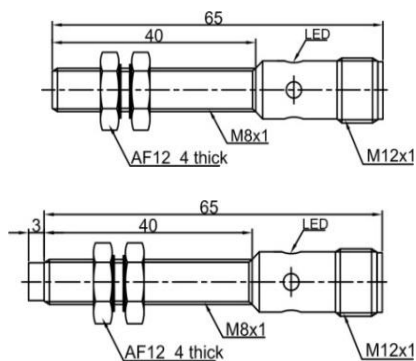
Part number

NPN NO	LR08BF15DNO-E2	LR08BN02DNO-E2	PNP NO	LR08BF15DPO-E2	LR08BN02DPO-E2
NPN NC	LR08BF15DNC-E2	LR08BN02DNC-E2	PNP NC	LR08BF15DPC-E2	LR08BN02DPC-E2

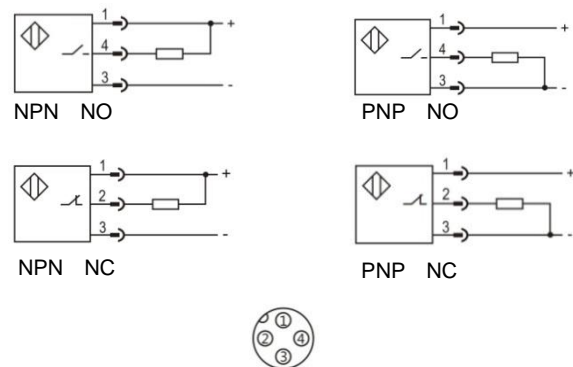
Technical specifications

Mounting	Flush	Non-flush	Current consumption	≤10mA	
Rated distance [Sn]	1.5mm	2mm	Circuit protection	Short-circuit, overload and reverse polarity	
Assured distance [Sa]	0...1.2mm	0...1.6mm	Output indicator	Yellow LED	
Dimensions	M8*65mm	M8*68mm	Ambient temperature	-25°C...70°C	
Output	NO/NC(depends on part number)		Ambient humidity	35-95%RH	
Supply voltage	10...30 VDC		Switching frequency [F]	2000 Hz	1500Hz
Standard target	Fe 8*8*1t	Fe 8*8*1t	Voltage withstand	...	
Switch-point drifts [%/Sr]	±10%		Insulation resistance	≥50MΩ(500VDC)	
Hysteresis range [%/Sr]	1...20%		Vibration resistance	10...50Hz (1.5mm)	
Repeat accuracy [R]	≤3%		Degree of protection	IP67	
Load current	≤150mA		Housing material	Nickel-copper alloy	
Residual voltage	≤2.5V		Connection type	M12 connector	

Dimensions



Wiring diagram



Standard function type inductive sensors **LR08** series



Features

- ◆ Non contact detection, safe and reliable;
- ◆ ASIC design;
- ◆ Perfect choice for metallic targets detection;



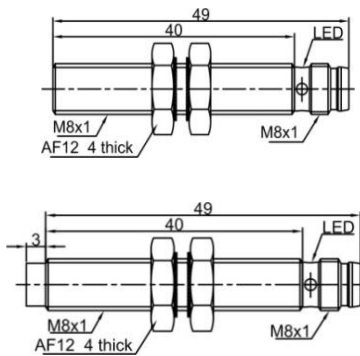
Part number

DC 2 wires NO	LR08BF15DLO-E1	LR08BN02DLO-E1	DC 2wires NC	LR08BF15DLC-E1	LR08BN02DLC-E1
---------------	----------------	----------------	--------------	----------------	----------------

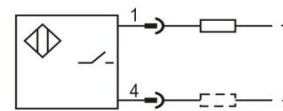
Technical specifications

Mounting	Flush	Non-flush	Leakage current [Ir]	≤1mA	
Rated distance [Sn]	1.5mm	2mm	Circuit protection	Short-circuit, overload and reverse polarity	
Assured distance [Sa]	0...1.2mm	0...1.6mm	Output indicator	Yellow LED	
Dimensions	M8*49mm	M8*52mm	Ambient temperature	-25°C...70°C	
Output	NO/NC(depends on part number)		Ambient humidity	35-95%RH	
Supply voltage	10...30 VDC		Switching frequency [F]	1000 Hz	800 Hz
Standard target	Fe 8*8*1t	Fe 8*8*1t	Voltage withstand	...	
Switch-point drifts [%/Sr]	≤ ± 10%		Insulation resistance	≥50MΩ (500VDC)	
Hysteresis range [%/Sr]	1...20%		Vibration resistance	10...50Hz (1.5mm)	
Repeat accuracy [R]	≤3%		Degree of protection	IP67	
Load current	≤100mA		Housing material	Stainless steel	
Residual voltage	≤8V		Connection type	M8 connector	

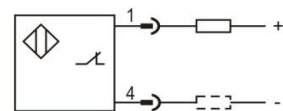
Dimensions



Wiring diagram



NO



NC



Standard function type inductive sensors **LR08** series



Features

- ◆ Non contact detection, safe and reliable;
- ◆ ASIC design;
- ◆ Perfect choice for metallic targets detection;



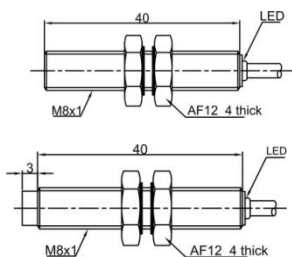
Part number

DC 2 wires NO	LR08BF15DLO	LR08BN02DLO	DC 2wires NC	LR08BF15DLC	LR08BN02DLC
---------------	-------------	-------------	--------------	-------------	-------------

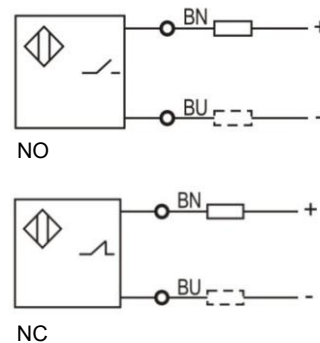
Technical specifications

Mounting	Flush	Non-flush	Leakage current [Ir]	≤1mA	
Rated distance [Sn]	1.5mm	2mm	Circuit protection	Short-circuit, overload and reverse polarity	
Assured distance [Sa]	0...1.2mm	0...1.6mm	Output indicator	Yellow LED	
Dimensions	M8*40mm M8*43mm		Ambient temperature	-25°C...70°C	
Output	NO/NC(depends on part number)		Ambient humidity	35-95%RH	
Supply voltage	10...30 VDC		Switching frequency [F]	1000 Hz	800 Hz
Standard target	Fe 8*8*1t	Fe 8*8*1t	Voltage withstand	...	
Switch-point drifts [%/Sr]	≤ ± 10%		Insulation resistance	≥50MΩ (500VDC)	
Hysteresis range [%/Sr]	1...20%		Vibration resistance	10...50Hz (1.5mm)	
Repeat accuracy [R]	≤3%		Degree of protection	IP67	
Load current	≤100mA		Housing material	Stainless steel	
Residual voltage	≤8V		Connection type	2m PVC cable	

Dimensions



Wiring diagram



Standard function type inductive sensors **LR08** series



Features

- ◆ Non contact detection, safe and reliable;
- ◆ ASIC design;
- ◆ Perfect choice for metallic targets detection;



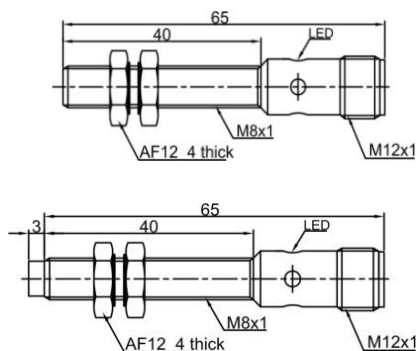
Part number

DC 2 wires NO	LR08BF15DLO-E2	LR08BN02DLO-E2	DC 2wires NC	LR08BF15DLC-E2	LR08BN02DLC-E2
---------------	----------------	----------------	--------------	----------------	----------------

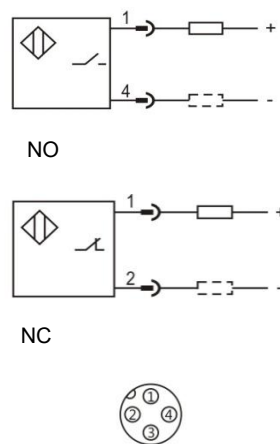
Technical specifications

Mounting	Flush	Non-flush	Leakage current [I _r]	≤1mA
Rated distance [S _n]	1.5mm	2mm	Circuit protection	Short-circuit, overload and reverse polarity
Assured distance [S _a]	0...1.2mm	0...1.6mm	Output indicator	Yellow LED
Dimensions	M8*65mm	M8*68mm	Ambient temperature	-25°C...70°C
Output	NO/NC(depends on part number)		Ambient humidity	35-95%RH
Supply voltage	10...30 VDC		Switching frequency [F]	1000 Hz 800 Hz
Standard target	Fe 8*8*1t	Fe 8*8*1t	Voltage withstand	...
Switch-point drifts [%/Sr]	≤ ±10%		Insulation resistance	≥50MΩ (500VDC)
Hysteresis range [%/Sr]	1...20%		Vibration resistance	10...50Hz (1.5mm)
Repeat accuracy [R]	≤3%		Degree of protection	IP67
Load current	≤100mA		Housing material	Nickel-copper alloy
Residual voltage	≤8V		Connection type	M12 connector

Dimensions



Wiring diagram



Standard function type inductive sensors **LR6.5** series



Features

- ◆ Non contact detection, safe and reliable;
- ◆ ASIC design;
- ◆ Perfect choice for metallic targets detection;



Part number							
NPN	NO	LR6.5QBF15DNO	LR6.5QBN02DNO	PNP	NO	LR6.5QBF15DPO	LR6.5QBN02DPO
NPN	NC	LR6.5QBF15DNC	LR6.5QBN02DNC	PNP	NC	LR6.5QBF15DPC	LR6.5QBN02DPC

Technical specifications					
Mounting	Flush	Non-flush	Current consumption	≤10mA	
Rated distance [Sn]	1.5mm	2mm	Circuit protection	Short-circuit, overload and reverse polarity	
Assured distance [Sa]	0...1.2mm	0...1.6mm	Output indicator	Yellow LED	
Dimensions	Φ6.5*40mm	Φ6.5*43mm	Ambient temperature	-25°C...70°C	
Output	NO/NC(depends on part number)		Ambient humidity	35-95%RH	
Supply voltage	10...30 VDC		Switching frequency [F]	2000 Hz	1500Hz
Standard target	Fe 8*8*1t	Fe 8*8*1t	Voltage withstand	...	
Switch-point drifts [%/Sr]	±10%		Insulation resistance	≥50MΩ(500VDC)	
Hysteresis range [%/Sr]	1...20%		Vibration resistance	10...50Hz (1.5mm)	
Repeat accuracy [R]	≤3%		Degree of protection	IP67	
Load current	≤150mA		Housing material	Stainless steel	
Residual voltage	≤2.5V		Connection type	2m PVC cable	

Dimensions	Wiring diagram

Standard function type inductive sensors **LR6.5** series



Features

- ◆ Non contact detection, safe and reliable;
- ◆ ASIC design;
- ◆ Perfect choice for metallic targets detection;



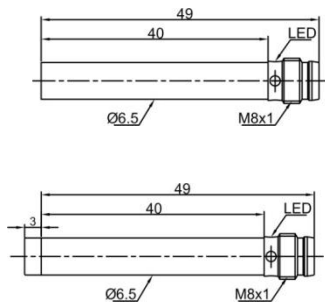
Part number

NPN NO	LR6.5QBF15DNO-E1	LR6.5QBN02DNO-E1	PNP NO	LR6.5QBF15DPO-E1	LR6.5QBN02DPO-E1
NPN NC	LR6.5QBF15DNC-E1	LR6.5QBN02DNC-E1	PNP NC	LR6.5QBF15DPC-E1	LR6.5QBN02DPC-E1

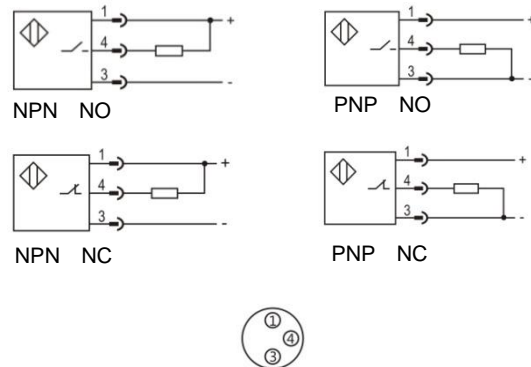
Technical specifications

Mounting	Flush	Non-flush	Current consumption	≤10mA	
Rated distance [Sn]	1.5mm	2mm	Circuit protection	Short-circuit, overload and reverse polarity	
Assured distance [Sa]	0...1.2mm	0...1.6mm	Output indicator	Yellow LED	
Dimensions	Φ6.5*49mm	Φ6.5*52mm	Ambient temperature	-25°C...70°C	
Output	NO/NC(depends on part number)		Ambient humidity	35-95%RH	
Supply voltage	10...30 VDC		Switching frequency [F]	2000 Hz	1500Hz
Standard target	Fe 8*8*1t	Fe 8*8*1t	Voltage withstand	...	
Switch-point drifts [%/Sr]	±10%		Insulation resistance	≥50MΩ(500VDC)	
Hysteresis range [%/Sr]	1...20%		Vibration resistance	10...50Hz (1.5mm)	
Repeat accuracy [R]	≤3%		Degree of protection	IP67	
Load current	≤150mA		Housing material	Stainless steel	
Residual voltage	≤2.5V		Connection type	M8 connector	

Dimensions



Wiring diagram



Standard function type inductive sensors **LR6.5Q** series



Features

- ◆ Non contact detection, safe and reliable;
- ◆ ASIC design;
- ◆ Perfect choice for metallic targets detection;



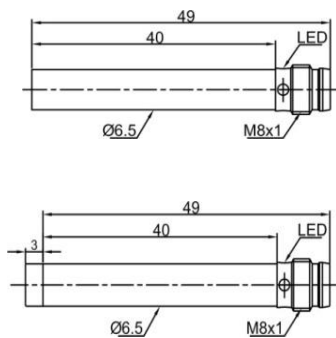
Part number

DC 2 wires NO	LR6.5QBF15DLO-E1	LR6.5QBN02DLO-E1	DC 2wires NC	LR6.5QBF15DLC-E1	LR6.5QBN02DLC-E1
---------------	------------------	------------------	--------------	------------------	------------------

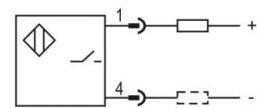
Technical specifications

Mounting	Flush	Non-flush	Leakage current [I _r]	≤1mA	
Rated distance [S _n]	1.5mm	2mm	Circuit protection	Reverse polarity protection	
Assured distance [S _a]	0...1.2mm	0...1.6mm	Output indicator	Yellow LED	
Dimensions	M6.5*49mm	M6.5*52mm	Ambient temperature	-25°C...70°C	
Output	NO/NC(depends on part number)		Ambient humidity	35-95%RH	
Supply voltage	10...30 VDC		Switching frequency [F]	1000 Hz	800 Hz
Standard target	Fe 8*8*1t	Fe 8*8*1t	Voltage withstand	...	
Switch-point drifts [%/Sr]	≤ ± 10%		Insulation resistance	≥ 50MΩ (500VDC)	
Hysteresis range [%/Sr]	1...20%		Vibration resistance	10...50Hz (1.5mm)	
Repeat accuracy [R]	≤ 3%		Degree of protection	IP67	
Load current	≤ 100mA		Housing material	Stainless steel	
Residual voltage	≤ 8V		Connection type	M8 connector	

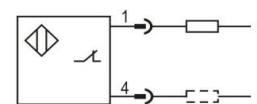
Dimensions



Wiring diagram



NO



NC



Standard function type inductive sensors **LR6.5Q** series



Features

- ◆ Non contact detection, safe and reliable;
- ◆ ASIC design;
- ◆ Perfect choice for metallic targets detection;



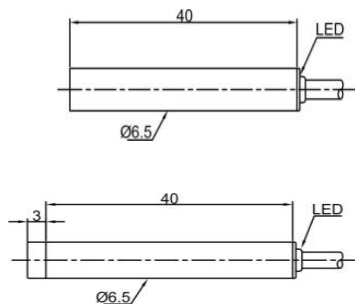
Part number

DC 2 wires NO	LR6.5QBF15DLO	LR6.5QBN02DLO	DC 2wires NC	LR6.5QBF15DLC	LR6.5QBN02DLC
---------------	---------------	---------------	--------------	---------------	---------------

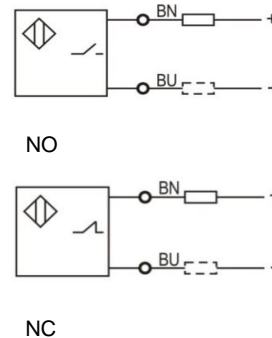
Technical specifications

Mounting	Flush	Non-flush	Leakage current [Ir]	≤1mA	
Rated distance [Sn]	1.5mm	2mm	Circuit protection	Reverse polarity protection	
Assured distance [Sa]	0...1.2mm	0...1.6mm	Output indicator	Yellow LED	
Dimensions	M6.5*40mm	M6.5*43mm	Ambient temperature	-25°C...70°C	
Output	NO/NC(depends on part number)		Ambient humidity	35-95%RH	
Supply voltage	10...30 VDC		Switching frequency [F]	1000 Hz	800 Hz
Standard target	Fe 8*8*1t	Fe 8*8*1t	Voltage withstand	...	
Switch-point drifts [%/Sr]	≤ ± 10%		Insulation resistance	≥ 50MΩ (500VDC)	
Hysteresis range [%/Sr]	1...20%		Vibration resistance	10...50Hz (1.5mm)	
Repeat accuracy [R]	≤ 3%		Degree of protection	IP67	
Load current	≤ 100mA		Housing material	Stainless steel	
Residual voltage	≤ 8V		Connection type	2m PVC cable	

Dimensions



Wiring diagram



Metal cylindrical shape inductive sensors **LR30X** series



Features

- ◆ Extended sensing distance;
- ◆ ASIC design, safe and reliable;
- ◆ Perfect choice for metallic target detection;



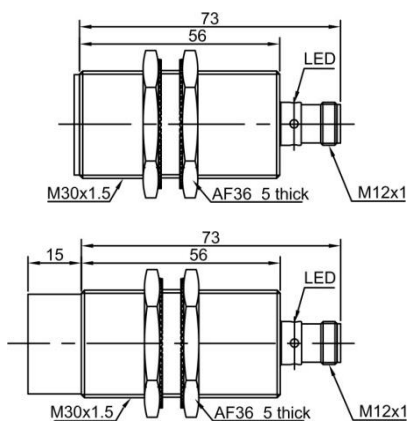
Part number

NPN NO	LR30XCF22DNOY-E2	LR30XCN40DNOY-E2	PNP NO	LR30XCF22DPOY-E2	LR30XCN40DPOY-E2
NPN NC	LR30XCF22DNCY-E2	LR30XCN40DNCY-E2	PNP NC	LR30XCF22DPCY-E2	LR30XCN40DPCY-E2

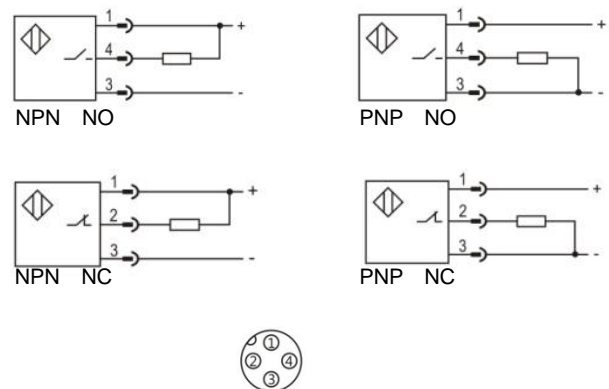
Technical specifications

Mounting	Quasi -flush	Non-flush	Current consumption	≤15mA	
Rated distance [Sn]	22mm	40mm	Circuit protection	Short-circuit, overload, and reverse polarity	
Assured distance [Sa]	0...17.6mm/0...32mm		Output indicator	Yellow LED	
Dimensions	M30*73mm	M30*88mm	Ambient temperature	-25°C...70°C	
Output	NO/NC(depends on part number)		Ambient humidity	35-95%RH	
Supply voltage	10...30 VDC		Switching frequency [F]	100 Hz	50 Hz
Standard target	Fe 66*66*1t	Fe 120*120*1t	Voltage withstand	1000V/AC 50/60Hz 60S	
Switch-point drifts[%/Sr]	≤±10%		Insulation resistance	≥50MΩ (500VDC)	
Hysteresis range [%/Sr]	1...20%		Vibration resistance	10...50Hz (1.5mm)	
Repeat accuracy [R]	≤3%		Degree of protection	IP67	
Load current	≤200mA		Housing material	Nickel-copper alloy	
Residual voltage	≤2.5V		Connection type	M12 connector	

Dimensions



Wiring diagram



Metal cylindrical shape inductive sensors **LR30X** series



Features

- ◆ Extended sensing distance;
- ◆ ASIC design, safe and reliable;
- ◆ Perfect choice for metallic target detection;



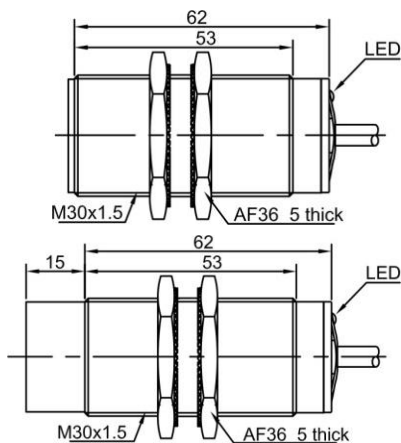
Part number

NPN NO	LR30XCF22DNOY	LR30XCN40DNOY	PNP NO	LR30XCF22DPOY	LR30XCN40DPOY
NPN NC	LR30XCF22DNCY	LR30XCN40DNCY	PNP NC	LR30XCF22DPCY	LR30XCN40DPCY

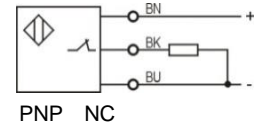
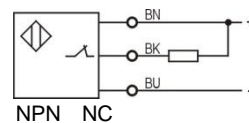
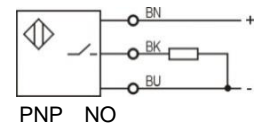
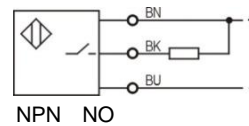
Technical specifications

Mounting	Quasi -flush	Non-flush	Current consumption	≤15mA	
Rated distance [Sn]	22mm	40mm	Circuit protection	Short-circuit, overload, and reverse polarity	
Assured distance [Sa]	0...17.6mm/0...32mm		Output indicator	Yellow LED	
Dimensions	M30*62mm	M30*77mm	Ambient temperature	-25°C...70°C	
Output	NO/NC(depends on part number)		Ambient humidity	35-95%RH	
Supply voltage	10...30 VDC		Switching frequency [F]	100 Hz	50 Hz
Standard target	Fe 66*66*1t	Fe 120*120*1t	Voltage withstand	1000V/AC 50/60Hz 60S	
Switch-point drifts[%/Sr]	≤±10%		Insulation resistance	≥50MΩ (500VDC)	
Hysteresis range [%/Sr]	1...20%		Vibration resistance	10...50Hz (1.5mm)	
Repeat accuracy [R]	≤3%		Degree of protection	IP67	
Load current	≤200mA		Housing material	Nickel-copper alloy	
Residual voltage	≤2.5V		Connection type	2m PVC cable	

Dimensions



Wiring diagram



Metal cylindrical shape inductive sensors **LR30X** series



Features

- ◆ Extended sensing distance;
- ◆ ASIC design, safe and reliable;
- ◆ Perfect choice for metallic target detection;



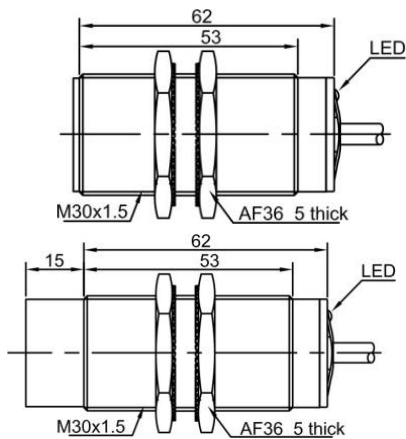
Part number

AC 2 wiresNO	LR30XCF15ATOY LR30XCN22ATOY	AC 2 wiresNC	LR30XCF15ATCY LR30XCN22ATCY
--------------	-----------------------------	--------------	-----------------------------

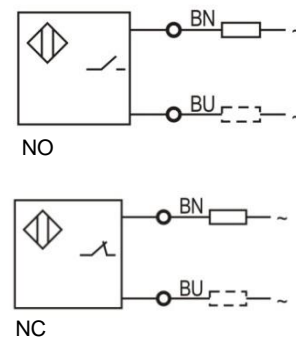
Technical specifications

Mounting	Quasi -flush Non-flush	Leakage current [Ir]	≤3mA
Rated distance [Sn]	15mm 22mm	Circuit protection
Assured distance [Sa]	0...12mm0...17.6mm	Output indicator	Yellow LED
Dimensions	M30*62mm M30*77 mm	Ambient temperature	-25°C...70°C
Output	NO/NC(depends on part number)	Ambient humidity	35...95%RH
Supply voltage	20...250 VAC	Switching frequency [F]	20 Hz
Standard target	Fe 45*45*1t Fe 66*66*1t	Voltage withstand	1000V/AC 50/60Hz 60S
Switch-point drifts[%/Sr]	≤ ± 10%	Insulation resistance	≥50MΩ (500VDC)
Hysteresis range [%/Sr]	1...20%	Vibration resistance	10...50Hz (1.5mm)
Repeat accuracy [R]	≤ 3%	Degree of protection	IP67
Load current	≤ 300mA	Housing material	Nickel-copper alloy
Residual voltage	≤ 10V	Connection type	2m PVC cable

Dimensions



Wiring diagram



Metal cylindrical shape inductive sensors **LR30X** series



Features

- ◆ Extended sensing distance;
- ◆ ASIC design, safe and reliable;
- ◆ Perfect choice for metallic target detection;



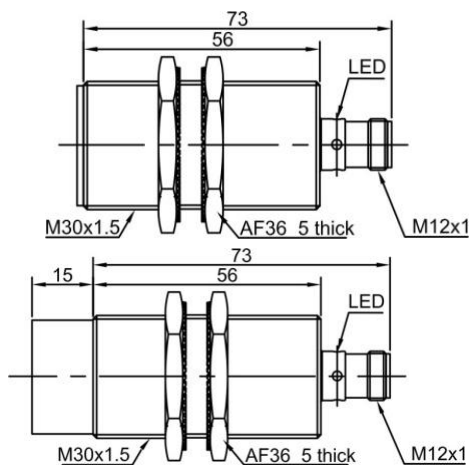
Part number

AC 2 wiresNO	LR30XCF15ATOY-E2	LR30XCN22ATOY-E2	AC 2 wiresNC	LR30XCF15ATCY-E2	LR30XCN22ATCY-E2
--------------	------------------	------------------	--------------	------------------	------------------

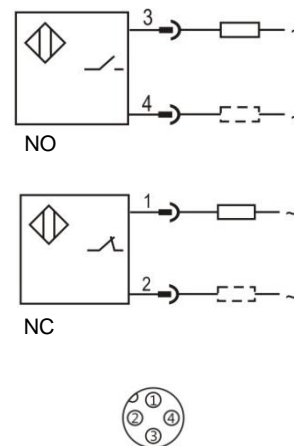
Technical specifications

Mounting	Quasi -flush	Non-flush	Leakage current [Ir]	≤3mA
Rated distance [Sn]	15mm	22mm	Circuit protection
Assured distance [Sa]	0...12mm0...17.6mm		Output indicator	Yellow LED
Dimensions	M30*73mm	M30*88mm	Ambient temperature	-25°C...70°C
Output	NO/NC(depends on part number)		Ambient humidity	35...95%RH
Supply voltage	20...250 VAC		Switching frequency [F]	20 Hz
Standard target	Fe 45*45*1t	Fe 66*66*1t	Voltage withstand	1000V/AC 50/60Hz 60S
Switch-point drifts[%/Sr]	≤ ± 10%		Insulation resistance	≥50MΩ (500VDC)
Hysteresis range [%/Sr]	1...20%		Vibration resistance	10...50Hz (1.5mm)
Repeat accuracy [R]	≤3%		Degree of protection	IP67
Load current	≤300mA		Housing material	Nickel-copper alloy
Residual voltage	≤10V		Connection type	M12 connector

Dimensions



Wiring diagram



Metal cylindrical shape inductive sensors **LR30X** series



Features

- ◆ Extended sensing distance;
- ◆ ASIC design, safe and reliable;
- ◆ Perfect choice for metallic target detection;



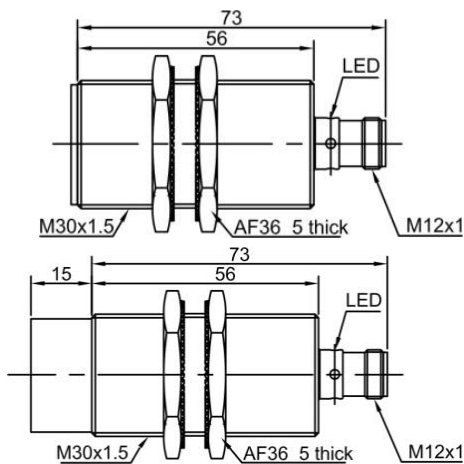
Part number

AC/DC 2 wiresNO	LR30XCF15SBOY-E2	LR30XCN22SBOY-E2	AC/DC 2 wiresNC	LR30XCF15SBCY-E2	LR30XCN22SBCY-E2
-----------------	------------------	------------------	-----------------	------------------	------------------

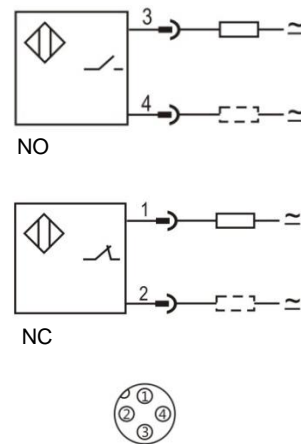
Technical specifications

Mounting	Quasi -flush	Non-flush	Leakage current [Ir]	AC: ≤3mA	DC: ≤1mA
Rated distance [Sn]	15mm	22mm	Circuit protection	
Assured distance [Sa]	0...12mm	0...17.6mm	Output indicator	Yellow LED	
Dimensions	M30*73mm	M30*88mm	Ambient temperature	-25°C...70°C	
Output	NO/NC(depends on part number)		Ambient humidity	35-95%RH	
Supply voltage	20...250V AC/DC		Switching frequency [F]	AC: 20 Hz	DC: 300 Hz
Standard target	Fe 45*45*1t	Fe 66*66*1t	Voltage withstand	1000V/AC 50/60Hz 60S	
Switch-point drifts[%/Sr]	≤ ± 10%		Insulation resistance	≥50MΩ (500VDC)	
Hysteresis range [%/Sr]	1...20%		Vibration resistance	10...50Hz (1.5mm)	
Repeat accuracy [R]	≤ 3%		Degree of protection	IP67	
Load current	AC: ≤300mA	DC: ≤ 100mA	Housing material	Nickel-copper alloy	
Residual voltage	AC: ≤10V	DC: ≤8V	Connection type	M12 connector	

Dimensions



Wiring diagram



Metal cylindrical shape inductive sensors **LR30X** series



Features

- ◆ Extended sensing distance;
- ◆ ASIC design, safe and reliable;
- ◆ Perfect choice for metallic target detection;



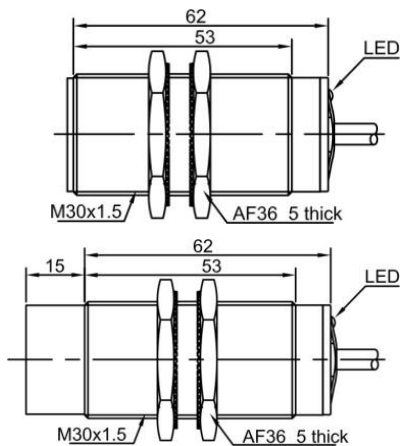
Part number

AC/DC 2 wiresNO	LR30XCF15SBOY	LR30XCN22SBOY	AC/DC 2 wiresNC	LR30XCF15SBCY	LR30XCN22SBCY
-----------------	---------------	---------------	-----------------	---------------	---------------

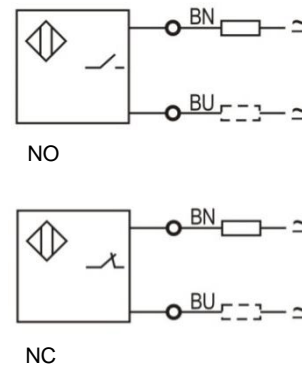
Technical specifications

Mounting	Quasi -flush	Non-flush	Leakage current [Ir]	AC: ≤3mA	DC: ≤1mA
Rated distance [Sn]	15mm	22mm	Circuit protection	
Assured distance [Sa]	0...12mm	0...17.6mm	Output indicator	Yellow LED	
Dimensions	M30*62mm	M30*77mm	Ambient temperature	-25°C...70°C	
Output	NO/NC(depends on part number)		Ambient humidity	35-95%RH	
Supply voltage	20...250V AC/DC		Switching frequency [F]	AC: 20 Hz	DC: 300 Hz
Standard target	Fe 45*45*1t	Fe 66*66*1t	Voltage withstand	1000V/AC 50/60Hz 60S	
Switch-point drifts[%/Sr]	≤ ±10%		Insulation resistance	≥50MΩ (500VDC)	
Hysteresis range [%/Sr]	1...20%		Vibration resistance	10...50Hz (1.5mm)	
Repeat accuracy [R]	≤ 3%		Degree of protection	IP67	
Load current	AC: ≤300mA	DC: ≤100mA	Housing material	Nickel-copper alloy	
Residual voltage	AC: ≤10V	DC: ≤8V	Connection type	2m PVC cable	

Dimensions



Wiring diagram



Metal cylindrical shape inductive sensors **LR30X** series



Features

- ◆ Extended sensing distance;
- ◆ ASIC design, safe and reliable;
- ◆ Perfect choice for metallic target detection;



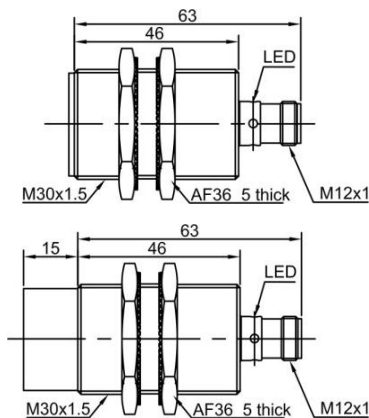
Part number

NPN NO	LR30XBF15DNOY-E2	LR30XBN22DNOY-E2	PNP NO	LR30XBF15DPOY-E2	LR30XBN22DPOY-E2
NPN NC	LR30XBF15DNCY-E2	LR30XBN22DNCY-E2	PNP NC	LR30XBF15DPCY-E2	LR30XBN22DPCY-E2
NPN NO+NC	LR30XBF15DNRY-E2	LR30XBN22DNRY-E2	PNP NO+NC	LR30XBF15DPRY-E2	LR30XBN22DPRY-E2

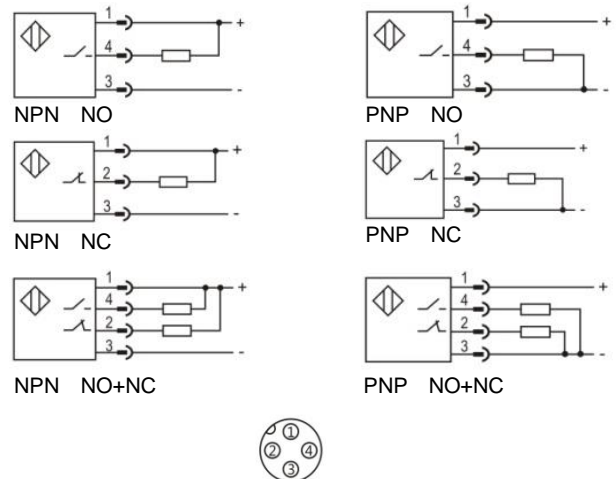
Technical specifications

Mounting	Quasi -flush	Non-flush	Current consumption	≤15mA	
Rated distance [Sn]	15mm	22mm	Circuit protection	Short-circuit, overload and reverse polarity	
Assured distance [Sa]	0...12mm	0...17.6mm	Output indicator	Yellow LED	
Dimensions	M30*63mm	M30*78 mm	Ambient temperature	-25°C...70°C	
Output	NO/NC(depends on part number)		Ambient humidity	35-95%RH	
Supply voltage	10...30 VDC		Switching frequency [F]	300 Hz	150 Hz
Standard target	Fe 45*45*1t/Fe 66*66*1t		Voltage withstand	1000V/AC 50/60Hz 60S	
Switch-point drifts[%/Sr]	≤ ± 10%		Insulation resistance	≥50MΩ (500VDC)	
Hysteresis range [%/Sr]	1...20%		Vibration resistance	10...50Hz (1.5mm)	
Repeat accuracy [R]	≤ 3%		Degree of protection	IP67	
Load current	≤ 200mA		Housing material	Nickel-copper alloy	
Residual voltage	≤ 2.5V		Connection type	M12 connector	

Dimensions



Wiring diagram



Metal cylindrical shape inductive sensors **LR30X** series



Features

- ◆ Extended sensing distance;
- ◆ ASIC design, safe and reliable;
- ◆ Perfect choice for metallic target detection;



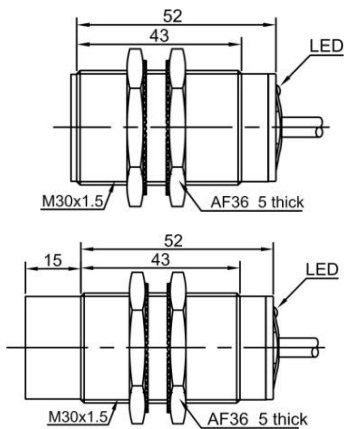
Part number

NPN NO	LR30XBF15DNOY	LR30XBN22DNOY	PNP NO	LR30XBF15DPOY	LR30XBN22DPOY
NPN NC	LR30XBF15DNCY	LR30XBN22DNCY	PNP NC	LR30XBF15DPCY	LR30XBN22DPCY
NPN NO+NC	LR30XBF15DNRY	LR30XBN22DNRY	PNP NO+NC	LR30XBF15DPRY	LR30XBN22DPRY

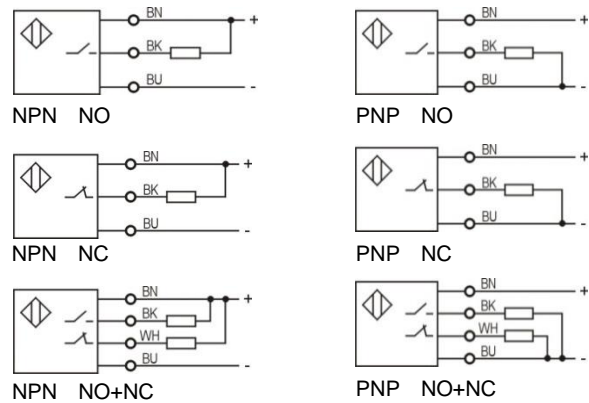
Technical specifications

Mounting	Quasi -flush	Non-flush	Current consumption	≤15mA	
Rated distance [Sn]	15mm	22mm	Circuit protection	Short-circuit, overload, reverse polarity	
Assured distance [Sa]	0...12mm/0...17.6mm		Output indicator	Yellow LED	
Dimensions	M30*52mm	M30*67mm	Ambient temperature	-25°C...70°C	
Output	NO/NC(depends on part number)		Ambient humidity	35-95%RH	
Supply voltage	10...30 VDC		Switching frequency [F]	300 Hz	150 Hz
Standard target	Fe 45*45*1t	Fe 66*66*1t	Voltage withstand	1000V/AC 50/60Hz 60S	
Switch-point drifts[%/Sr]	≤±10%		Insulation resistance	≥50MΩ (500VDC)	
Hysteresis range [%/Sr]	1...20%		Vibration resistance	10...50Hz (1.5mm)	
Repeat accuracy [R]	≤3%		Degree of protection	IP67	
Load current	≤200mA		Housing material	Nickel-copper alloy	
Residual voltage	≤2.5V		Connection type	2m PVC cable	

Dimensions



Wiring diagram



Metal cylindrical shape inductive sensors **LR30X** series



Features

- ◆ Extended sensing distance;
- ◆ ASIC design, safe and reliable;
- ◆ Perfect choice for metallic target detection;



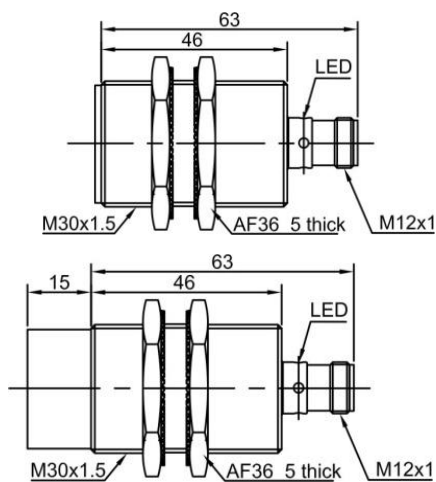
Part number

DC 2 wires NO	LR30XBF15DLOY-E2	LR30XBN22DLOY-E2	DC 2 wires NC	LR30XBF15DLCY-E2	LR30XBN22DLCY-E2
---------------	------------------	------------------	---------------	------------------	------------------

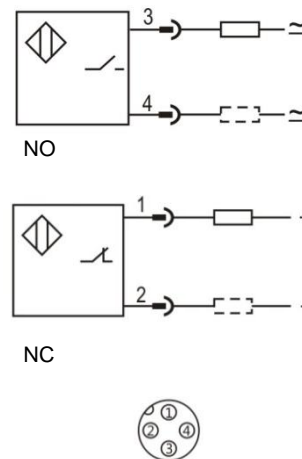
Technical specifications

Mounting	Quasi -flush	Non-flush	Leakage current [Ir]	≤1mA	
Rated distance [Sn]	15mm	22mm	Circuit protection	Short-circuit, overload and reverse polarity	
Assured distance [Sa]	0...12mm0...17.6mm		Output indicator	Yellow LED	
Dimensions	M30*63mm	M30*78mm	Ambient temperature	-25°C...70°C	
Output	NO/NC(depends on part number)		Ambient humidity	35-95%RH	
Supply voltage	10...30 VDC		Switching frequency [F]	300 Hz	150 Hz
Standard target	Fe 45*45*1tFe 66*66*1t		Voltage withstand	1000V/AC 50/60Hz 60S	
Switch-point drifts[%/Sr]	≤ ± 10%		Insulation resistance	≥50MΩ (500VDC)	
Hysteresis range [%/Sr]	1...20%		Vibration resistance	10...50Hz (1.5mm)	
Repeat accuracy [R]	≤ 3%		Degree of protection	IP67	
Load current	≤ 100mA		Housing material	Nickel-copper alloy	
Residual voltage	≤ 6V		Connection type	M12 connector	

Dimensions



Wiring diagram



Metal cylindrical shape inductive sensors **LR30X** series



Features

- ◆ Extended sensing distance;
- ◆ ASIC design, safe and reliable;
- ◆ Perfect choice for metallic target detection;



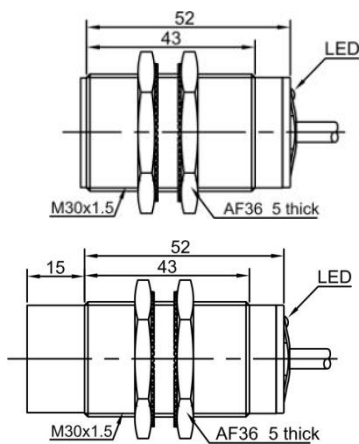
Part number

DC 2 wires NO	LR30XBF15DLOY	LR30XBN22DLOY	DC 2 wires NC	LR30XBF15DLCY	LR30XBN22DLCY
---------------	---------------	---------------	---------------	---------------	---------------

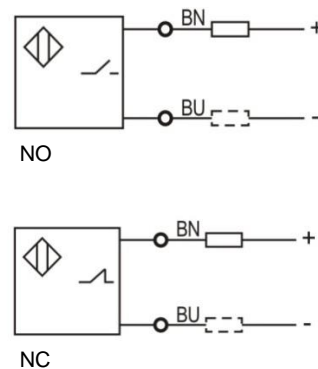
Technical specifications

Mounting	Quasi -flush	Non-flush	Leakage current [Ir]	≤1mA	
Rated distance [Sn]	15mm	22mm	Circuit protection	Short-circuit, overload and reverse polarity	
Assured distance [Sa]	0...12mm/0...17.6mm		Output indicator	Yellow LED	
Dimensions	M30*52mm	M30*67mm	Ambient temperature	-25°C...70°C	
Output	NO/NC(depends on part number)		Ambient humidity	35-95%RH	
Supply voltage	10...30 VDC		Switching frequency [F]	300 Hz	150 Hz
Standard target	Fe 45*45*1t/Fe 66*66*1t		Voltage withstand	1000V/AC 50/60Hz 60S	
Switch-point drifts[%/Sr]	≤ ± 10%		Insulation resistance	≥50MΩ (500VDC)	
Hysteresis range [%/Sr]	1...20%		Vibration resistance	10...50Hz (1.5mm)	
Repeat accuracy [R]	≤ 3%		Degree of protection	IP67	
Load current	≤ 100mA		Housing material	Nickel-copper alloy	
Residual voltage	≤ 6V		Connection type	2m PVC cable	

Dimensions



Wiring diagram



Metal cylindrical shape inductive sensors **LR18X** series



Features

- ◆ Extended sensing distance;
- ◆ ASIC design, safe and reliable;
- ◆ Perfect choice for metallic target detection;



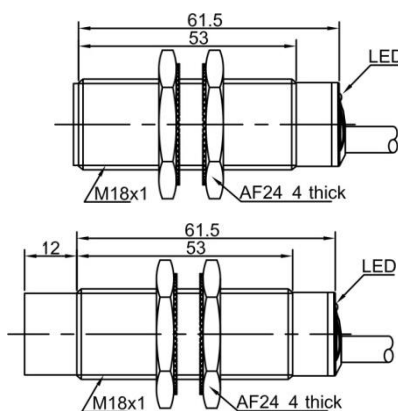
Part number

NPN NO	LR18XCF12DNOY	LR18XCN20DNOY	PNP NO	LR18XCF12DPOY	LR18XCN20DPOY
NPN NC	LR18XCF12DNKY	LR18XCN20DNKY	PNP NC	LR18XCF12DPKY	LR18XCN20DPKY

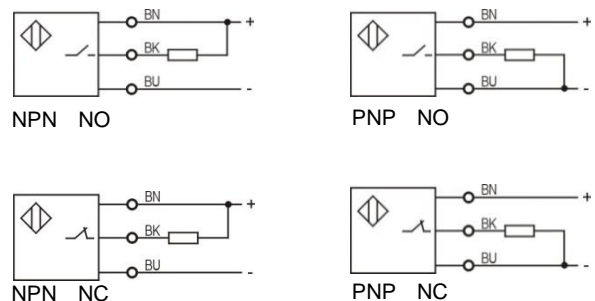
Technical specifications

Mounting	Quasi -flush	Non-flush	Current consumption	≤15mA
Rated distance [Sn]	12mm	20mm	Circuit protection	Short-circuit, overload and reverse polarity
Assured distance [Sa]	0...9.6mm	0...16mm	Output indicator	Yellow LED
Dimensions	M18*61.5mm	M18*73.5 mm	Ambient temperature	-25°C...70°C
Output	NO/NC(depends on part number)		Ambient humidity	35-95%RH
Supply voltage	10...30 VDC		Switching frequency [F]	300Hz 150Hz
Standard target	Fe 36*36*1t/Fe 60*60*1t		Voltage withstand	1000V/AC 50/60Hz 60S
Switch-point drifts[%/Sr]	≤ ± 10%		Insulation resistance	≥50MΩ (500VDC)
Hysteresis range [%/Sr]	1...20%		Vibration resistance	10...50Hz (1.5mm)
Repeat accuracy [R]	≤ 3%		Degree of protection	IP67
Load current	≤ 200mA		Housing material	Nickel-copper alloy
Residual voltage	≤ 2.5V		Connection type	2m PVC cable

Dimensions



Wiring diagram



Metal cylindrical shape inductive sensors **LR18X** series



Features

- ◆ Extended sensing distance;
- ◆ ASIC design, safe and reliable;
- ◆ Perfect choice for metallic target detection;



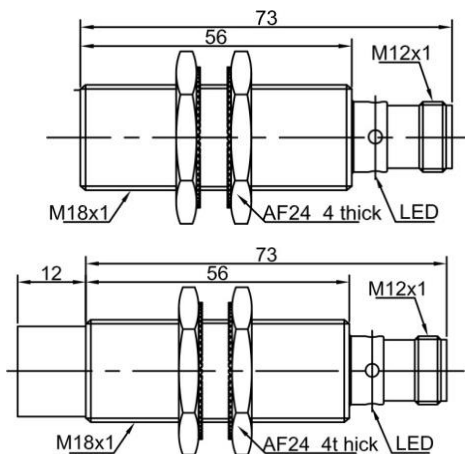
Part number

NPN NO	LR18XCF12DNOY-E2	LR18XCN20DNOY-E2	PNP NO	LR18XCF12DPOY-E2	LR18XCN20DPOY-E2
NPN NC	LR18XCF12DNCY-E2	LR18XCN20DNCY-E2	PNP NC	LR18XCF12DPCY-E2	LR18XCN20DPCY-E2

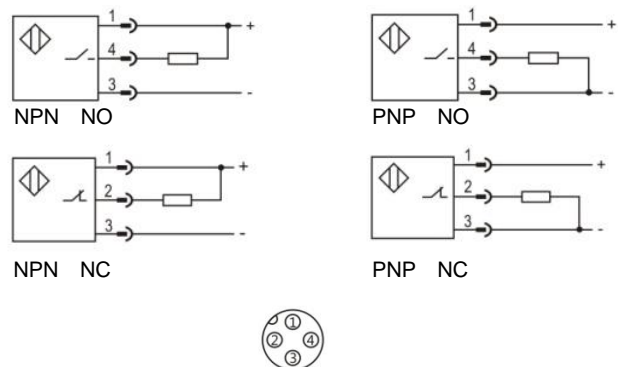
Technical specifications

Mounting	Quasi -flush	Non-flush	Current consumption	≤15mA
Rated distance [Sn]	12mm	20mm	Circuit protection	Short-circuit, overload and reverse polarity
Assured distance [Sa]	0...9.6mm	0...16mm	Output indicator	Yellow LED
Dimensions	M18*73mm	M18*85mm	Ambient temperature	-25°C...70°C
Output	NO/NC(depends on part number)		Ambient humidity	35-95%RH
Supply voltage	10...30 VDC		Switching frequency [F]	300Hz 150Hz
Standard target	Fe 36*36*1t	Fe 60*60*1t	Voltage withstand	1000V/AC 50/60Hz 60S
Switch-point drifts[%/Sr]	≤±10%		Insulation resistance	≥50MΩ (500VDC)
Hysteresis range [%/Sr]	1...20%		Vibration resistance	10...50Hz (1.5mm)
Repeat accuracy [R]	≤3%		Degree of protection	IP67
Load current	≤200mA		Housing material	Nickel-copper alloy
Residual voltage	≤2.5V		Connection type	M12 connector

Dimensions



Wiring diagram



Metal cylindrical shape inductive sensors **LR18X** series



Features

- ◆ Extended sensing distance;
- ◆ ASIC design, safe and reliable;
- ◆ Perfect choice for metallic target detection;



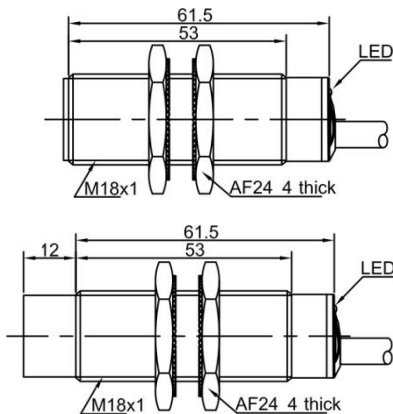
Part number

AC 2 wiresNO	LR18XCF08ATOY	LR18XCN12ATOY	AC 2 wires NC	LR18XCF08ATCY	LR18XCN12ATCY
--------------	---------------	---------------	---------------	---------------	---------------

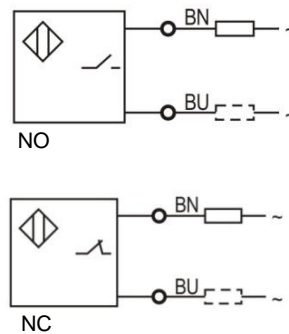
Technical specifications

Mounting	Quasi -flush	Non-flush	Leakage current [I _r]	≤3mA
Rated distance [S _n]	8mm	12mm	Circuit protection
Assured distance [S _a]	0...6.4mm0...9.6mm		Output indicator	Yellow LED
Dimensions	M18 *61.5mmM18 *73.5mm		Ambient temperature	-25°C...70°C
Output	NO/NC(depends on part number)		Ambient humidity	35...95%RH
Supply voltage	20...250 VAC		Switching frequency [F]	20 Hz
Standard target	Fe 24*24*1t	Fe 36*36*1t	Voltage withstand	1000V/AC 50/60Hz 60S
Switch-point drifts[%/Sr]	≤ ± 10%		Insulation resistance	≥50MΩ (500VDC)
Hysteresis range [%/Sr]	1...20%		Vibration resistance	10...50Hz (1.5mm)
Repeat accuracy [R]	≤3%		Degree of protection	IP67
Load current	≤300mA		Housing material	Nickel-copper alloy
Residual voltage	≤10V		Connection type	2m PVC cable

Dimensions



Wiring diagram



Metal cylindrical shape inductive sensors **LR18X** series



Features

- ◆ Extended sensing distance;
- ◆ ASIC design, safe and reliable;
- ◆ Perfect choice for metallic target detection;



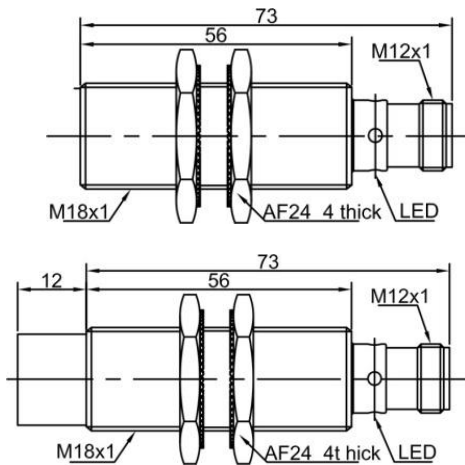
Part number

AC 2 wiresNO LR18XCF08ATOY-E2 LR18XCN12ATOY-E2 AC 2 wiresNC LR18XCF08ATCY-E2 LR18XCN12ATCY-E2

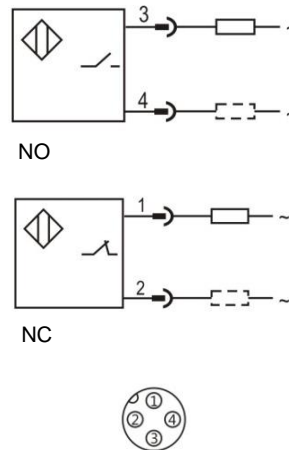
Technical specifications

Mounting	Quasi -flush	Non-flush	Leakage current [I _r]	≤3mA
Rated distance [S _n]	8mm	12mm	Circuit protection
Assured distance [S _a]	0...6.4mm0...9.6mm		Output indicator	Yellow LED
Dimensions	M18 *73mmM18 *85mm		Ambient temperature	-25°C...70°C
Output	NO/NC(depends on part number)		Ambient humidity	35...95%RH
Supply voltage	20...250 VAC		Switching frequency [F]	20 Hz
Standard target	Fe 24*24*1t	Fe 36*36*1t	Voltage withstand	1000V/AC 50/60Hz 60S
Switch-point drifts[%/Sr]	≤ ± 10%		Insulation resistance	≥50MΩ (500VDC)
Hysteresis range [%/Sr]	1...20%		Vibration resistance	10...50Hz (1.5mm)
Repeat accuracy [R]	≤ 3%		Degree of protection	IP67
Load current	≤ 300mA		Housing material	Nickel-copper alloy
Residual voltage	≤ 10V		Connection type	M12 connector

Dimensions



Wiring diagram



Metal cylindrical shape inductive sensors **LR18X** series



Features

- ◆ Extended sensing distance;
- ◆ ASIC design, safe and reliable;
- ◆ Perfect choice for metallic target detection;



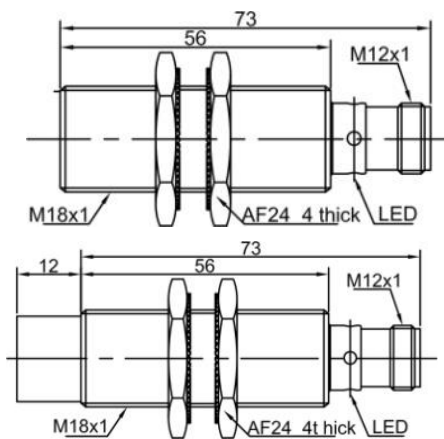
Part number

AC/DC 2 wires NO	LR18XCF08SBOY-E2	LR18XCN12SBOY-E2	AC/DC 2 wires NC	LR18XCF08SBCY-E2	LR18XCN12SBCY-E2
------------------	------------------	------------------	------------------	------------------	------------------

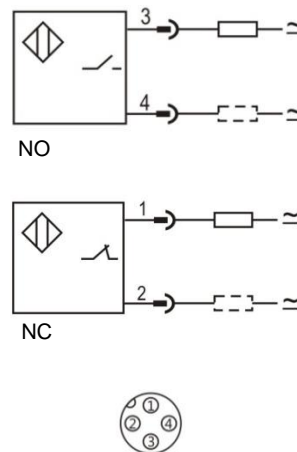
Technical specifications

Mounting	Quasi -flush	Non-flush	Leakage current [Ir]	AC: ≤ 3mA	DC: ≤ 1mA
Rated distance [Sn]	8mm	12mm	Circuit protection	
Assured distance [Sa]	0...6.4mm / 0...9.6mm		Output indicator	Yellow LED	
Dimensions	M18 *73mm / M18 *85mm		Ambient temperature	-25°C...70°C	
Output	NO/NC (depends on part number)		Ambient humidity	35...95%RH	
Supply voltage	20...250 VAC/DC		Switching frequency [F]	AC: 20 Hz	DC: 400 Hz
Standard target	Fe 24*24*1t	Fe 36*36*1t	Voltage withstand	1000V/AC 50/60Hz 60S	
Switch-point drifts [%/Sr]	≤ ± 10%		Insulation resistance	≥ 50MΩ (500VDC)	
Hysteresis range [%/Sr]	1...20%		Vibration resistance	10...50Hz (1.5mm)	
Repeat accuracy [R]	≤ 3%		Degree of protection	IP67	
Load current	AC: ≤ 300mA	DC: ≤ 100mA	Housing material	Nickel-copper alloy	
Residual voltage	AC: ≤ 10V	DC: ≤ 8V	Connection type	M12 connector	

Dimensions



Wiring diagram



Metal cylindrical shape inductive sensors **LR18X** series



Features

- ◆ Extended sensing distance;
- ◆ ASIC design, safe and reliable;
- ◆ Perfect choice for metallic target detection;



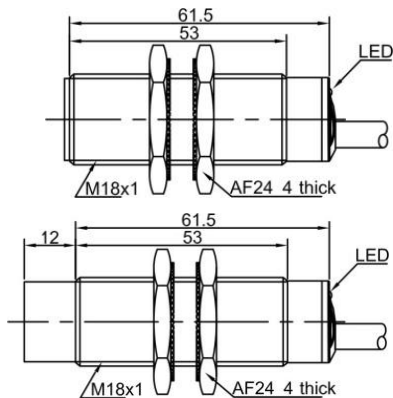
Part number

AC/DC 2 wiresNO	LR18XCF08SBOY	LR18XCN12SBOY	AC/DC 2 wiresNC	LR18XCF08SBCY	LR18XCN12SBCY
-----------------	---------------	---------------	-----------------	---------------	---------------

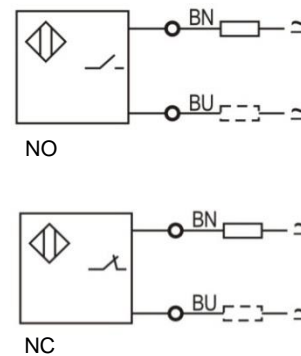
Technical specifications

Mounting	Quasi -flush	Non-flush	Leakage current [Ir]	AC: ≤ 3mA	DC: ≤ 1mA
Rated distance [Sn]	8mm	12mm	Circuit protection	
Assured distance [Sa]	0...6.4mm 0...9.6mm		Output indicator	Yellow LED	
Dimensions	M18 *61.5mm M18 *73.5mm		Ambient temperature	-25°C...70°C	
Output	NO/NC(depends on part number)		Ambient humidity	35-95%RH	
Supply voltage	20...250 VAC/DC		Switching frequency [F]	AC: 20 Hz	DC: 400 Hz
Standard target	Fe 24*24*1t	Fe 36*36*1t	Voltage withstand	1000V/AC 50/60Hz 60S	
Switch-point drifts[%/Sr]	≤ ± 10%		Insulation resistance	≥ 50MΩ (500VDC)	
Hysteresis range [%/Sr]	1...20%		Vibration resistance	10...50Hz (1.5mm)	
Repeat accuracy [R]	≤ 3%		Degree of protection	IP67	
Load current	AC: ≤ 300mA	DC: ≤ 100mA	Housing material	Nickel-copper alloy	
Residual voltage	AC: ≤ 10V	DC: ≤ 8V	Connection type	2m PVC cable	

Dimensions



Wiring diagram



Metal cylindrical shape inductive sensors **LR18X** series



Features

- ◆ Extended sensing distance;
- ◆ ASIC design, safe and reliable;
- ◆ Perfect choice for metallic target detection;



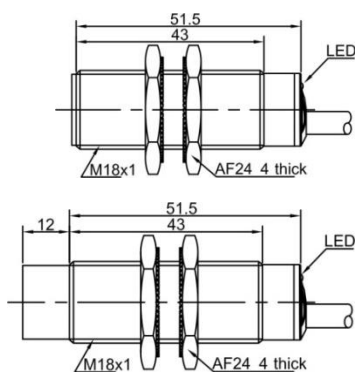
Part number

NPN NO	LR18XF08DNOY	LR18XBN12DNOY	PNP NO	LR18XF08DPOY	LR18XBN12DPOY
NPN NC	LR18XF08DNKY	LR18XBN12DNKY	PNP NC	LR18XF08DPCY	LR18XBN12DPCY
NPN NO+NC	LR18XF08DNRY	LR18XBN12DNRY	PNP NO+NC	LR18XF08DPRY	LR18XBN12DPRY

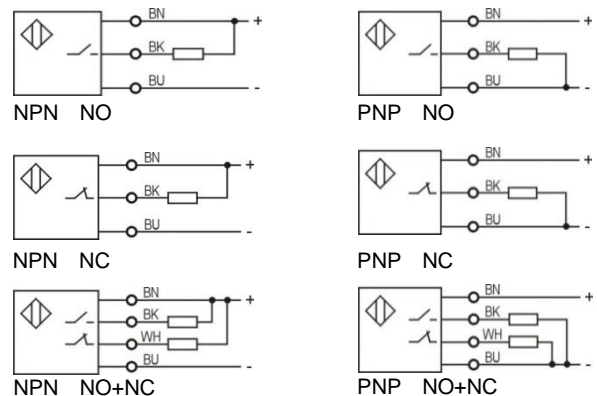
Technical specifications

Mounting	Quasi -flush	Non-flush	Current consumption	≤15mA	
Rated distance [Sn]	8mm	12mm	Circuit protection	Short-circuit, overload and reverse polarity	
Assured distance [Sa]	0...6.4mm	0...9.6mm	Output indicator	Yellow LED	
Dimensions	M18*51.5mm	M18*63.5 mm	Ambient temperature	-25°C...70°C	
Output	NO/NC(depends on part number)		Ambient humidity	35-95%RH	
Supply voltage	10...30 VDC		Switching frequency [F]	400 Hz	200 Hz
Standard target	Fe 24*24*1t/Fe 36*36*1t		Voltage withstand	1000V/AC 50/60Hz 60S	
Switch-point drifts[%/Sr]	≤ ± 10%		Insulation resistance	≥50MΩ (500VDC)	
Hysteresis range [%/Sr]	1...20%		Vibration resistance	10...50Hz (1.5mm)	
Repeat accuracy [R]	≤ 3%		Degree of protection	IP67	
Load current	≤ 200mA		Housing material	Nickel-copper alloy	
Residual voltage	≤ 2.5V		Connection type	2m PVC cable	

Dimensions



Wiring diagram



Metal cylindrical shape inductive sensors **LR18X** series



Features

- ◆ Extended sensing distance;
- ◆ ASIC design, safe and reliable;
- ◆ Perfect choice for metallic target detection;



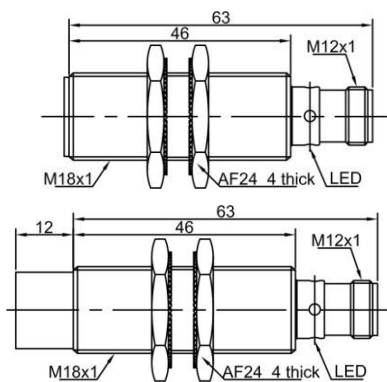
Part number

NPN NO	LR18XBF08DNOY-E2	LR18XBN12DNOY-E2	PNP NO	LR18XBF08DPOY-E2	LR18XBN12DPOY-E2
NPN NC	LR18XBF08DNCY-E2	LR18XBN12DNCY-E2	PNP NC	LR18XBF08DPCY-E2	LR18XBN12DPCY-E2
NPN NO+NC	LR18XBF08DNRY-E2	LR18XBN12DNRY-E2	PNP NO+NC	LR18XBF08DPRY-E2	LR18XBN12DPRY-E2

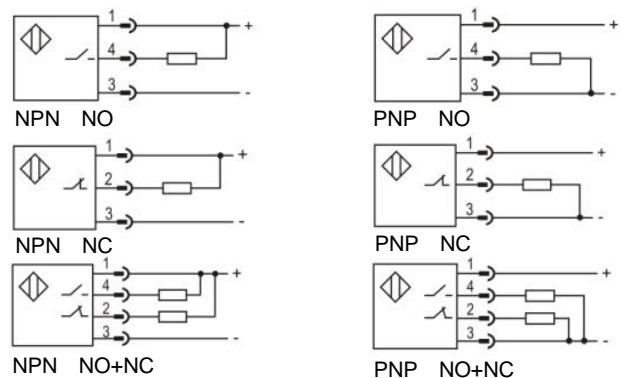
Technical specifications

Mounting	Quasi -flush	Non-flush	Current consumption	≤15mA	
Rated distance [Sn]	8mm	12mm	Circuit protection	Short-circuit, overload and reverse polarity	
Assured distance [Sa]	0...6.4mm	0...9.6mm	Output indicator	Yellow LED	
Dimensions	M18*63mm	M18*75mm	Ambient temperature	-25°C...70°C	
Output	NO/NC(depends on part number)		Ambient humidity	35-95%RH	
Supply voltage	10...30 VDC		Switching frequency [F]	400 Hz	200 Hz
Standard target	Fe 24*24*1t Fe 36*36*1t		Voltage withstand	1000V/AC 50/60Hz 60S	
Switch-point drifts[%/Sr]	≤ ± 10%		Insulation resistance	≥50MΩ (500VDC)	
Hysteresis range [%/Sr]	1...20%		Vibration resistance	10...50Hz (1.5mm)	
Repeat accuracy [R]	≤ 3%		Degree of protection	IP67	
Load current	≤ 200mA		Housing material	Nickel-copper alloy	
Residual voltage	≤ 2.5V		Connection type	M12 connector	

Dimensions



Wiring diagram



Metal cylindrical shape inductive sensors **LR18X** series

Features

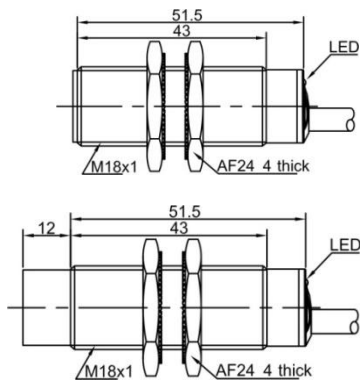
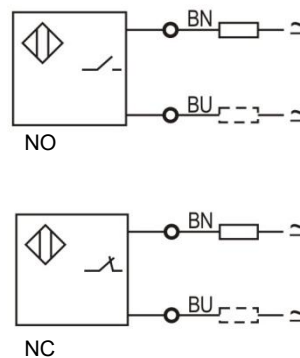
- ◆ Extended sensing distance;
- ◆ ASIC design, safe and reliable;
- ◆ Perfect choice for metallic target detection;


Part number

DC 2 wires NO	LR18XBF08DLOY	LR18XBN12DLOY	DC 2 wires NC	LR18XBF08DLCY	LR18XBN12DLCY
---------------	---------------	---------------	---------------	---------------	---------------

Technical specifications

Mounting	Quasi -flush	Non-flush	Leakage current [Ir]	≤1mA	
Rated distance [Sn]	8mm	12mm	Circuit protection	Short-circuit, overload and reverse polarity	
Assured distance [Sa]	0...6.4mm	0...9.6mm	Output indicator	Yellow LED	
Dimensions	M18*51.5mm	M18*63.5mm	Ambient temperature	-25°C...70°C	
Output	NO/NC(depends on part number)		Ambient humidity	35-95%RH	
Supply voltage	10...30 VDC		Switching frequency [F]	400 Hz	200 Hz
Standard target	Fe 24*24*1t/Fe 36*36*1t		Voltage withstand	1000V/AC 50/60Hz 60S	
Switch-point drifts[%/Sr]	≤±10%		Insulation resistance	≥50MΩ (500VDC)	
Hysteresis range [%/Sr]	1...20%		Vibration resistance	10...50Hz (1.5mm)	
Repeat accuracy [R]	≤3%		Degree of protection	IP67	
Load current	≤100mA		Housing material	Nickel-copper alloy	
Residual voltage	≤6V		Connection type	2m PVC cable	

Dimensions

Wiring diagram


Metal cylindrical shape inductive sensors **LR18X** series



Features

- ◆ Extended sensing distance;
- ◆ ASIC design, safe and reliable;
- ◆ Perfect choice for metallic target detection;



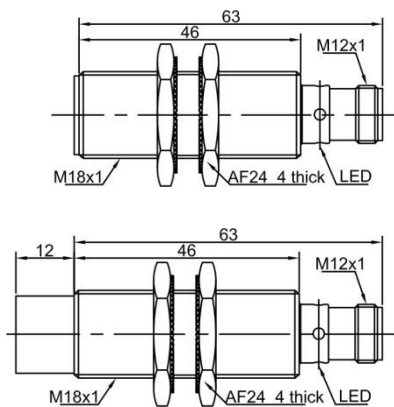
Part number

DC 2 wires NO	LR18XBF08DLOY-E2	LR18XBN12DLOY-E2	DC 2 wires NC	LR18XBF08DLCY	LR18XBN12DLCY
---------------	------------------	------------------	---------------	---------------	---------------

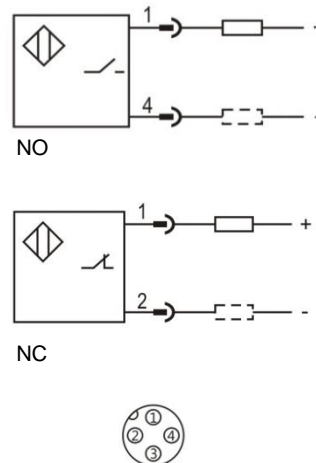
Technical specifications

Mounting	Quasi -flush	Non-flush	Leakage current [I _r]	≤1mA	
Rated distance [S _n]	8mm	12mm	Circuit protection	Short-circuit, overload and reverse polarity	
Assured distance [S _a]	0...6.4mm	0...9.6mm	Output indicator	Yellow LED	
Dimensions	M18*63mm	M18*75mm	Ambient temperature	-25°C...70°C	
Output	NO/NC(depends on part number)		Ambient humidity	35-95%RH	
Supply voltage	10...30 VDC		Switching frequency [F]	400 Hz	200 Hz
Standard target	Fe 24*24*1t/Fe 36*36*1t		Voltage withstand	1000V/AC 50/60Hz 60S	
Switch-point drifts[%/Sr]	≤ ± 10%		Insulation resistance	≥50MΩ (500VDC)	
Hysteresis range [%/Sr]	1...20%		Vibration resistance	10...50Hz (1.5mm)	
Repeat accuracy [R]	≤ 3%		Degree of protection	IP67	
Load current	≤ 100mA		Housing material	Nickel-copper alloy	
Residual voltage	≤ 6V		Connection type	M12 connector	

Dimensions



Wiring diagram



Metal cylindrical shape inductive sensors **LR12X** series



Features

- ◆ Extended sensing distance;
- ◆ ASIC design, safe and reliable;
- ◆ Perfect choice for metallic target detection;



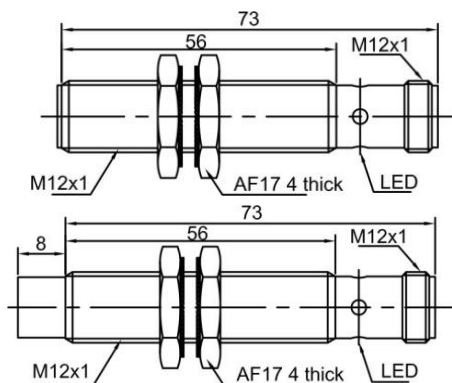
Part number

NPN NO	LR12XCF06DNOY-E2	LR12XCN10DNOY-E2	PNP NO	LR12XCF06DPOY-E2	LR12XCN10DPOY-E2
NPN NC	LR12XCF06DNCY-E2	LR12XCN10DNCY-E2	PNP NC	LR12XCF06DPCY-E2	LR12XCN10DPCY-E2

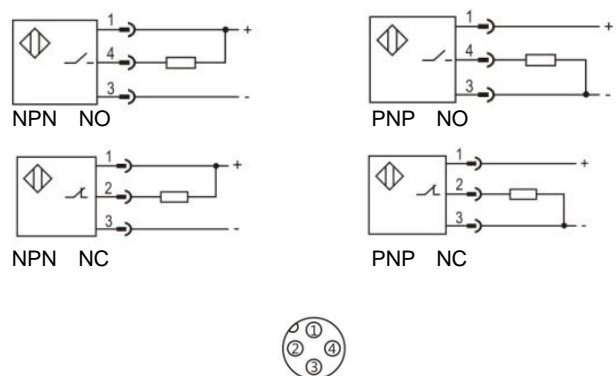
Technical specifications

Mounting	Quasi -flush	Non-flush	Current consumption	≤15mA	
Rated distance [Sn]	6mm	10mm	Circuit protection	Short-circuit, overload and reverse polarity	
Assured distance [Sa]	0...4.8mm	0...8mm	Output indicator	Yellow LED	
Dimensions	M12*73mm	M12*81mm	Ambient temperature	-25°C...70°C	
Output	NO/NC(depends on part number)		Ambient humidity	35-95%RH	
Supply voltage	10...30 VDC		Switching frequency [F]	500 Hz	300 Hz
Standard target	Fe 18*18*1t	Fe 30*30*1t	Voltage withstand	1000V/AC 50/60Hz 60S	
Switch-point drifts[%/Sr]	≤±10%		Insulation resistance	≥50MΩ (500VDC)	
Hysteresis range [%/Sr]	1...20%		Vibration resistance	10...50Hz (1.5mm)	
Repeat accuracy [R]	≤3%		Degree of protection	IP67	
Load current	≤200mA		Housing material	Nickel-copper alloy	
Residual voltage	≤2.5V		Connection type	M12 connector	

Dimensions



Wiring diagram



Metal cylindrical shape inductive sensors **LR12X** series



Features

- ◆ Extended sensing distance;
- ◆ ASIC design, safe and reliable;
- ◆ Perfect choice for metallic target detection;



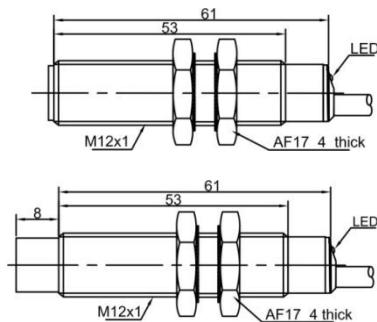
Part number

NPN NO	LR12XCF06DNOY	LR12XCN10DNOY	PNP NO	LR12XCF06DPOY	LR12XCN10DPOY
NPN NC	LR12XCF06DNCY	LR12XCN10DNCY	PNP NC	LR12XCF06DPCY	LR12XCN10DPCY

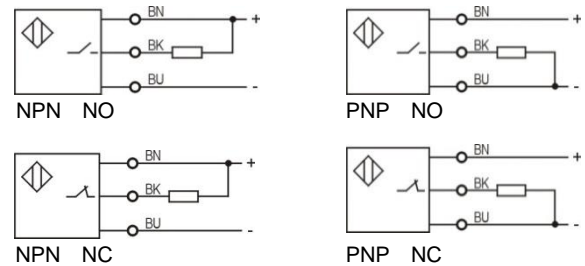
Technical specifications

Mounting	Quasi -flush	Non-flush	Current consumption	≤15mA	
Rated distance [Sn]	6mm	10mm	Circuit protection	Short-circuit, overload and reverse polarity	
Assured distance [Sa]	0...4.8mm	0...8mm	Output indicator	Yellow LED	
Dimensions	M12*61mm	M12*69 mm	Ambient temperature	-25°C...70°C	
Output	NO/NC(depends on part number)		Ambient humidity	35-95%RH	
Supply voltage	10...30 VDC		Switching frequency [F]	500 Hz	300 Hz
Standard target	Fe 18*18*1t	Fe 30*30*1t	Voltage withstand	1000V/AC 50/60Hz 60S	
Switch-point drifts[%/Sr]	≤±10%		Insulation resistance	≥50MΩ (500VDC)	
Hysteresis range [%/Sr]	1...20%		Vibration resistance	10...50Hz (1.5mm)	
Repeat accuracy [R]	≤3%		Degree of protection	IP67	
Load current	≤200mA		Housing material	Nickel-copper alloy	
Residual voltage	≤2.5V		Connection type	2m PVC cable	

Dimensions



Wiring diagram



Metal cylindrical shape inductive sensors **LR12X** series



Features

- ◆ Extended sensing distance;
- ◆ ASIC design, safe and reliable;
- ◆ Perfect choice for metallic target detection;



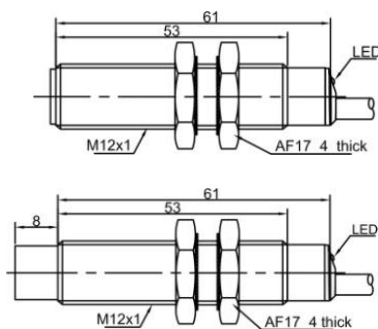
Part number

AC 2 wiresNO	LR12XCF04ATOY	LR12XCN08ATOY	AC 2 wiresNC	LR12XCF04ATCY	LR12XCN08ATCY
--------------	---------------	---------------	--------------	---------------	---------------

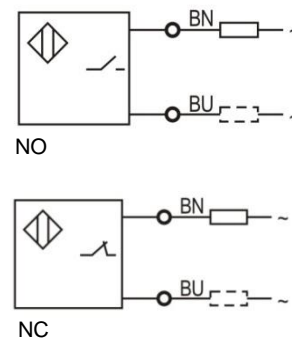
Technical specifications

Mounting	Quasi -flush	Non-flush	Leakage current [Ir]	≤3mA
Rated distance [Sn]	4mm	8mm	Circuit protection
Assured distance [Sa]	0...3.2mm0...6.4mm		Output indicator	Yellow LED
Dimensions	M12 *61mmM12 *69mm		Ambient temperature	-25°C...70°C
Output	NO/NC(depends on part number)		Ambient humidity	35...95%RH
Supply voltage	20...250 VAC		Switching frequency [F]	20 Hz
Standard target	Fe 12*12*1t	Fe 24*24*1t	Voltage withstand	1000V/AC 50/60Hz 60S
Switch-point drifts[%/Sr]	≤ ± 10%		Insulation resistance	≥50MΩ (500VDC)
Hysteresis range [%/Sr]	1...20%		Vibration resistance	10...50Hz (1.5mm)
Repeat accuracy [R]	≤ 3%		Degree of protection	IP67
Load current	≤ 200mA		Housing material	Nickel-copper alloy
Residual voltage	≤ 10V		Connection type	2m PVC cable

Dimensions



Wiring diagram



Metal cylindricalshape inductive sensors **LR12X** series



Features

- ◆ Extended sensing distance;
- ◆ ASIC design, safe and reliable;
- ◆ Perfect choice for metallic target detection;



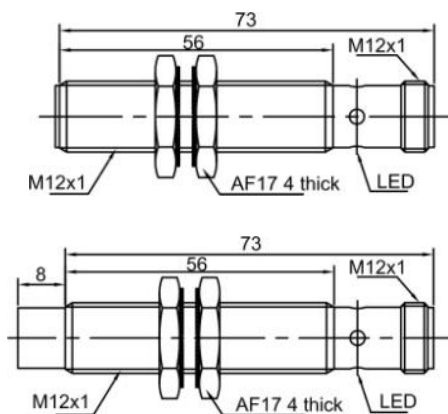
Part number

AC 2 wiresNO	LR12XCF04ATOY-E2	LR12XCN08ATOY-E2	AC 2 wiresNC	LR12XCF04ATCY-E2	LR12XCN08ATCY-E2
--------------	------------------	------------------	--------------	------------------	------------------

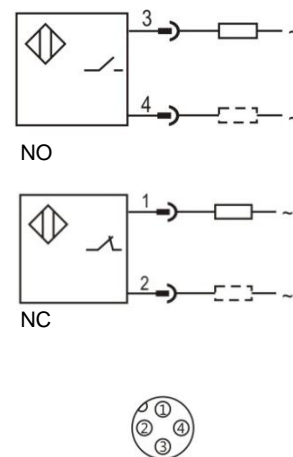
Technical specifications

Mounting	Quasi -flush	Non-flush	Leakage current [Ir]	≤3mA
Rated distance [Sn]	4mm	8mm	Circuit protection
Assured distance [Sa]	0...3.2mm0...6.4mm		Output indicator	Yellow LED
Dimensions	M12 *73mmM12 *81mm		Ambient temperature	-25°C...70°C
Output	NO/NC(depends on part number)		Ambient humidity	35...95%RH
Supply voltage	20...250 VAC		Switching frequency [F]	20 Hz
Standard target	Fe 12*12*1t	Fe 24*24*1t	Voltage withstand	1000V/AC 50/60Hz 60S
Switch-point drifts[%/Sr]	≤ ± 10%		Insulation resistance	≥50MΩ (500VDC)
Hysteresis range [%/Sr]	1...20%		Vibration resistance	10...50Hz (1.5mm)
Repeat accuracy [R]	≤3%		Degree of protection	IP67
Load current	≤200mA		Housing material	Nickel-copper alloy
Residual voltage	≤10V		Connection type	M12 connector

Dimensions



Wiring diagram



Metal cylindrical shape inductive sensors **LR12X** series



Features

- ◆ Extended sensing distance;
- ◆ ASIC design, safe and reliable;
- ◆ Perfect choice for metallic target detection;



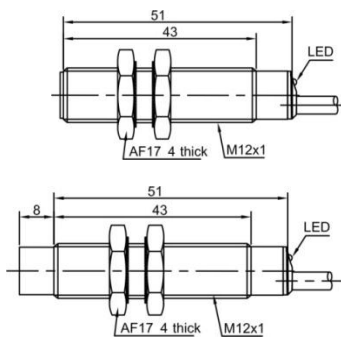
Part number

DC 2 wires NO	LR12XBF04DLOY LR12XBN08DLOY	DC 2 wires NC	LR12XBF04DLCY LR12XBN08DLCY
---------------	-----------------------------	---------------	-----------------------------

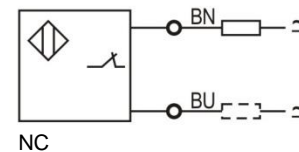
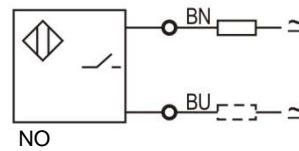
Technical specifications

Mounting	Quasi -flush Non-flush	Leakage current [I _r]	≤1mA
Rated distance [S _n]	4mm 8mm	Circuit protection	Short-circuit, overload and reverse polarity
Assured distance [S _a]	0...3.2mm 0...6.4mm	Output indicator	Yellow LED
Dimensions	M12*51mm M12*59mm	Ambient temperature	-25°C...70°C
Output	NO/NC(depends on part number)	Ambient humidity	35-95%RH
Supply voltage	10...30 VDC	Switching frequency [F]	800 Hz 500 Hz
Standard target	Fe 12*12*1t/Fe 24*24*1t	Voltage withstand	1000V/AC 50/60Hz 60S
Switch-point drifts[%/Sr]	≤ ± 10%	Insulation resistance	≥50MΩ (500VDC)
Hysteresis range [%/Sr]	1...20%	Vibration resistance	10...50Hz (1.5mm)
Repeat accuracy [R]	≤ 3%	Degree of protection	IP67
Load current	≤ 100mA	Housing material	Nickel-copper alloy
Residual voltage	≤ 6V	Connection type	2m PVC cable

Dimensions



Wiring diagram



Metal cylindrical shape inductive sensors **LR12X** series



Features

- ◆ Extended sensing distance;
- ◆ ASIC design, safe and reliable;
- ◆ Perfect choice for metallic target detection;



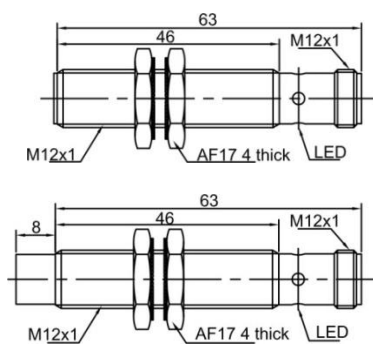
Part number

DC 2 wires NO	LR12XBF04DLOY-E2	LR12XBN08DLOY-E2	DC 2 wires NC	LR12XBF04DLCY-E2	LR12XBN08DLCY-E2
---------------	------------------	------------------	---------------	------------------	------------------

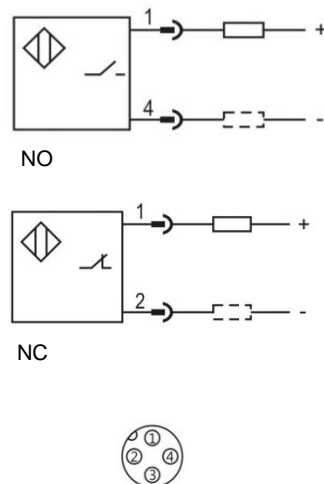
Technical specifications

Mounting	Quasi -flush	Non-flush	Leakage current [Ir]	≤1mA	
Rated distance [Sn]	4mm	8mm	Circuit protection	Short-circuit, overload and reverse polarity	
Assured distance [Sa]	0...3.2mm	0...6.4mm	Output indicator	Yellow LED	
Dimensions	M12*63mm	M12*71mm	Ambient temperature	-25°C...70°C	
Output	NO/NC(depends on part number)		Ambient humidity	35-95%RH	
Supply voltage	10...30 VDC		Switching frequency [F]	800 Hz	500 Hz
Standard target	Fe 12*12*1t/Fe 24*24*1t		Voltage withstand	1000V/AC 50/60Hz 60S	
Switch-point drifts[%/Sr]	≤ ±10%		Insulation resistance	≥50MΩ (500VDC)	
Hysteresis range [%/Sr]	1...20%		Vibration resistance	10...50Hz (1.5mm)	
Repeat accuracy [R]	≤3%		Degree of protection	IP67	
Load current	≤100mA		Housing material	Nickel-copper alloy	
Residual voltage	≤6V		Connection type	M12 connector	

Dimensions



Wiring diagram



Metal cylindrical shape inductive sensors **LR12X** series



Features

- ◆ Extended sensing distance;
- ◆ ASIC design, safe and reliable;
- ◆ Perfect choice for metallic target detection;



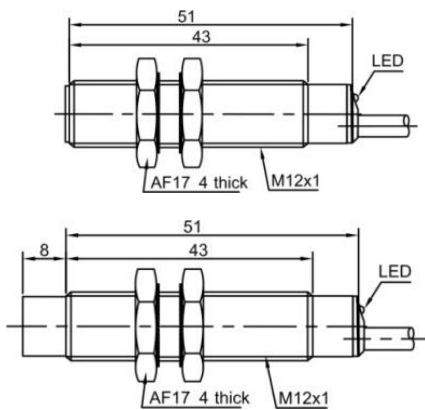
Part number

NPN NO	LR12XBF04DNOY	LR12XBN08DNOY	PNP NO	LR12XBF04DPOY	LR12XBN08DPOY
NPN NC	LR12XBF04DNCY	LR12XBN08DNCY	PNP NC	LR12XBF04DPCY	LR12XBN08DPCY
NPN NO+NC	LR12XBF04DNRY	LR12XBN08DNRY	PNP NO+NC	LR12XBF04DPRY	LR12XBN08DPRY

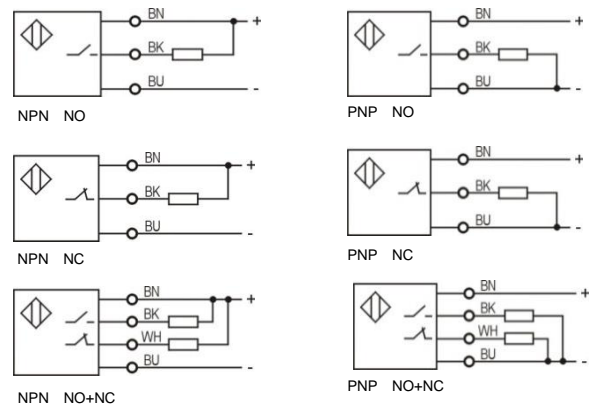
Technical specifications

Mounting	Quasi -flush	Non-flush	Current consumption	≤15mA	
Rated distance [Sn]	4mm	8mm	Circuit protection	Short-circuit, overload and reverse polarity	
Assured distance [Sa]	0...3.2mm0...6.4mm		Output indicator	Yellow LED	
Dimensions	M12*51mm	M12*59mm	Ambient temperature	-25°C...70°C	
Output	NO/NC(depends on part number)		Ambient humidity	35-95%RH	
Supply voltage	10...30 VDC		Switching frequency [F]	800 Hz	500 Hz
Standard target	Fe 12*12*1t	Fe 24*24*1t	Voltage withstand	1000V/AC 50/60Hz 60S	
Switch-point drifts[%/Sr]	≤ ±10%		Insulation resistance	≥50MΩ (500VDC)	
Hysteresis range [%/Sr]	1...20%		Vibration resistance	10...50Hz (1.5mm)	
Repeat accuracy [R]	≤3%		Degree of protection	IP67	
Load current	≤200mA		Housing material	Nickel-copper alloy	
Residual voltage	≤2.5V		Connection type	2m PVC cable	

Dimensions



Wiring diagram



Metal cylindrical shape inductive sensors **LR12X** series



Features

- ◆ Extended sensing distance;
- ◆ ASIC design, safe and reliable;
- ◆ Perfect choice for metallic target detection;



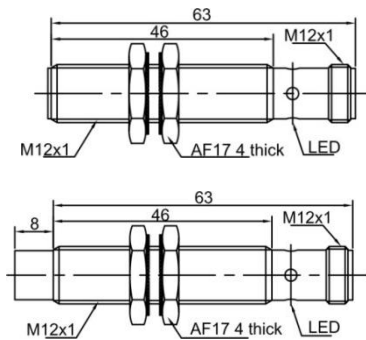
Part number

NPN NO	LR12XBF04DNOY-E2	LR12XBN08DNOY-E2	PNP NO	LR12XBF04DPOY-E2	LR12XBN08DPOY-E2
NPN NC	LR12XBF04DNKY-E2	LR12XBN08DNKY-E2	PNP NC	LR12XBF04DKPY-E2	LR12XBN08DKPY-E2
NPN NO+NC	LR12XBF04DNRY-E2	LR12XBN08DNRY-E2	PNP NO+NC	LR12XBF04DPRY-E2	LR12XBN08DPRY-E2

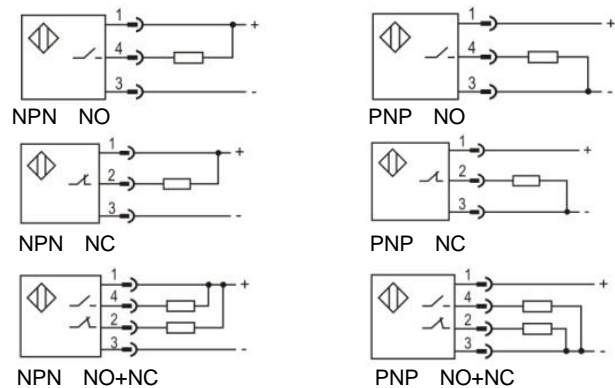
Technical specifications

Mounting	Quasi -flush	Non-flush	Current consumption	≤15mA	
Rated distance [Sn]	4mm	8mm	Circuit protection	Short-circuit, overload and reverse polarity	
Assured distance [Sa]	0...3.2mm	0...6.4mm	Output indicator	Yellow LED	
Dimensions	M12*63mm	M12*71 mm	Ambient temperature	-25°C...70°C	
Output	NO/NC(depends on part number)		Ambient humidity	35-95%RH	
Supply voltage	10...30 VDC		Switching frequency [F]	800 Hz	500 Hz
Standard target	Fe 12*12*1t/Fe 24*24*1t		Voltage withstand	1000V/AC 50/60Hz 60S	
Switch-point drifts[%/Sr]	≤ ± 10%		Insulation resistance	≥50MΩ (500VDC)	
Hysteresis range [%/Sr]	1...20%		Vibration resistance	10...50Hz (1.5mm)	
Repeat accuracy [R]	≤ 3%		Degree of protection	IP67	
Load current	≤ 200mA		Housing material	Nickel-copper alloy	
Residual voltage	≤ 2.5V		Connection type	M12 connector	

Dimensions



Wiring diagram



Metal cylindrical shape inductive sensors **LR08** series



Features

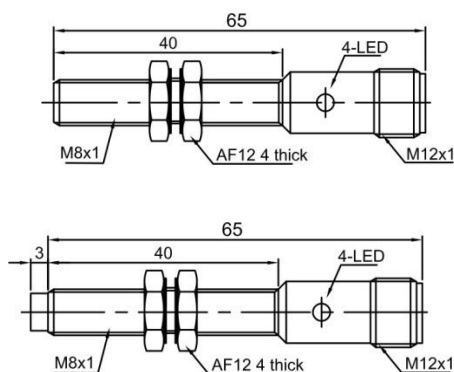
- ◆ Extended sensing distance;
- ◆ ASIC design, safe and reliable;
- ◆ Perfect choice for metallic target detection;



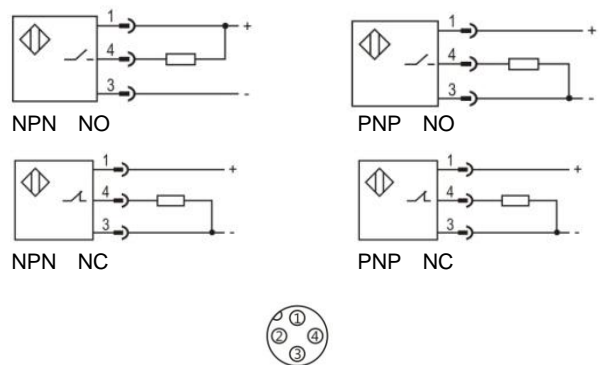
Part number					
NPN NO	LR08BF02DNOY-E2	LR08BN04DNOY-E2	PNP NO	LR08BF02DPOY-E2	LR08BN04DPOY-E2
NPN NC	LR08BF02DNCY-E2	LR08BN04DNCY-E2	PNP NC	LR08BF02DPCY-E2	LR08BN04DPCY-E2

Technical specifications					
Mounting	Quasi-flush	Non-flush	Current consumption	≤10mA	
Rated distance [Sn]	2mm	4mm	Circuit protection	Short-circuit, overload and reverse polarity	
Assured distance [Sa]	0...1.6mm	0...3.2mm	Output indicator	Yellow LED	
Dimensions	M8*65mm	M8*68mm	Ambient temperature	-25°C...70°C	
Output	NO/NC(depends on part number)		Ambient humidity	35-95%RH	
Supply voltage	10...30 VDC		Switching frequency [F]	1000Hz	
Standard target	Fe 8*8*1t	Fe12*12*1t	Voltage withstand	
Switch-point drifts[%/Sr]	≤ ±10%		Insulation resistance	≥50MΩ (500VDC)	
Hysteresis range [%/Sr]	1...20%		Vibration resistance	10...50Hz (1.5mm)	
Repeat accuracy [R]	≤3%		Degree of protection	IP67	
Load current	≤150mA		Housing material	Nickel-copper alloy	
Residual voltage	≤2.5V		Connection type	M12 connector	

Dimensions



Wiring diagram



Metal cylindrical shape inductive sensors **LR08** series



Features

- ◆ Extended sensing distance;
- ◆ ASIC design, safe and reliable;
- ◆ Perfect choice for metallic target detection;



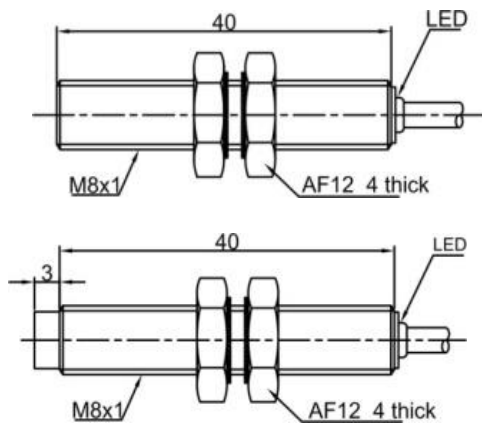
Part number

NPN NO	LR08BF02DNOY	LR08BN04DNOY	PNP NO	LR08BF02DPOY	LR08BN04DPOY
NPN NC	LR08BF02DNCY	LR08BN04DNCY	PNP NC	LR08BF02DPCY	LR08BN04DPCY

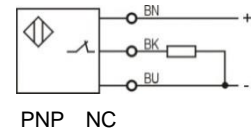
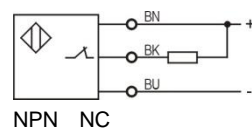
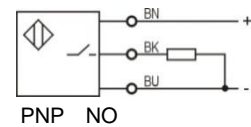
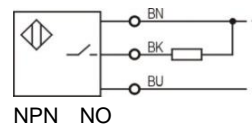
Technical specifications

Mounting	Quasi-flush	Non-flush	Current consumption	≤10mA
Rated distance [Sn]	2mm	4mm	Circuit protection	Short-circuit, overload and reverse polarity
Assured distance [Sa]	0...1.6mm	0...3.2mm	Output indicator	Yellow LED
Dimensions	M8*40mm	M8*43mm	Ambient temperature	-25°C...70°C
Output	NO/NC(depends on part number)		Ambient humidity	35-95%RH
Supply voltage	10...30 VDC		Switching frequency [F]	1000Hz
Standard target	Fe 8*8*1t	Fe12*12*1t	Voltage withstand
Switch-point drifts[%/Sr]	≤ ±10%		Insulation resistance	≥50MΩ (500VDC)
Hysteresis range [%/Sr]	1...20%		Vibration resistance	10...50Hz (1.5mm)
Repeat accuracy [R]	≤3%		Degree of protection	IP67
Load current	≤150mA		Housing material	Stainless steel
Residual voltage	≤2.5V		Connection type	2m PVC cable

Dimensions



Wiring diagram



Metal cylindrical shape inductive sensors **LR08** series



Features

- ◆ Extended sensing distance;
- ◆ ASIC design, safe and reliable;
- ◆ Perfect choice for metallic target detection;



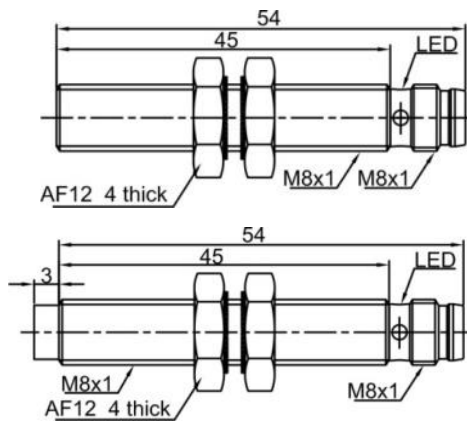
Part number

NPN NO	LR08BF02DNOY-E1	LR08BN04DNOY-E1	PNP NO	LR08BF02DPOY-E1	LR08BN04DPOY-E1
NPN NC	LR08BF02DNKY-E1	LR08BN04DNKY-E1	PNP NC	LR08BF02DPCY-E1	LR08BN04DPCY-E1

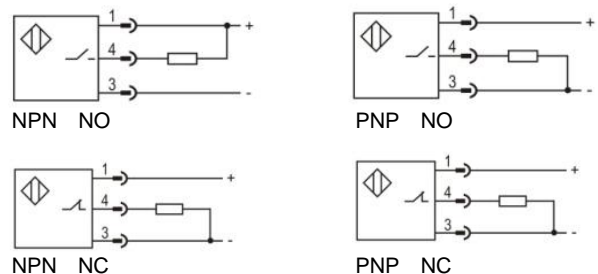
Technical specifications

Mounting	Quasi-flush	Non-flush	Current consumption	≤10mA
Rated distance [Sn]	2mm	4mm	Circuit protection	Short-circuit, overload and reverse polarity
Assured distance [Sa]	0...1.6mm	0...3.2mm	Output indicator	Yellow LED
Dimensions	M8*54mm	M8*57mm	Ambient temperature	-25°C...70°C
Output	NO/NC(depends on part number)		Ambient humidity	35-95%RH
Supply voltage	10...30 VDC		Switching frequency [F]	1000Hz
Standard target	Fe 8*8*1t	Fe12*12*1t	Voltage withstand
Switch-point drifts[%/Sr]	≤ ± 10%		Insulation resistance	≥50MΩ (500VDC)
Hysteresis range [%/Sr]	1...20%		Vibration resistance	10...50Hz (1.5mm)
Repeat accuracy [R]	≤ 3%		Degree of protection	IP67
Load current	≤ 150mA		Housing material	Stainless steel
Residual voltage	≤ 2.5V		Connection type	M8 connector

Dimensions



Wiring diagram



Metal cylindrical shape inductive sensors **LR08** series



Features

- ◆ Extended sensing distance;
- ◆ ASIC design, safe and reliable;
- ◆ Perfect choice for metallic target detection;



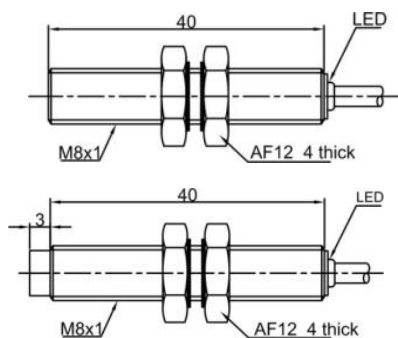
Part number

DC 2 wires NO	LR08BF02DLOY	LR08BN04DLOY	DC 2 wires NC	LR08BF02DLCY	LR08BN04DLCY
---------------	--------------	--------------	---------------	--------------	--------------

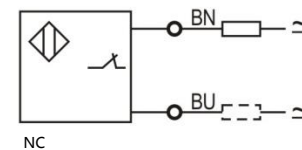
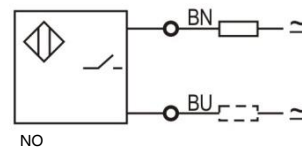
Technical specifications

Mounting	Quasi-flush	Non-flush	Leakage current [Ir]	≤1mA	
Rated distance [Sn]	2mm	4mm	Circuit protection	Reverse polarity	
Assured distance [Sa]	0...1.6mm	0...3.2mm	Output indicator	Yellow LED	
Dimensions	M8*40mm	M8*43mm	Ambient temperature	-25°C...70°C	
Output	NO/NC(depends on part number)		Ambient humidity	35-95%RH	
Supply voltage	10...30 VDC		Switching frequency [F]	1000Hz	800Hz
Standard target	Fe 8*8*1t	Fe12*12*1t	Voltage withstand	
Switch-point drifts[%/Sr]	≤ ± 10%		Insulation resistance	≥50MΩ (500VDC)	
Hysteresis range [%/Sr]	1...20%		Vibration resistance	10...50Hz (1.5mm)	
Repeat accuracy [R]	≤ 3%		Degree of protection	IP67	
Load current	≤ 100mA		Housing material	Stainless steel	
Residual voltage	≤ 6V		Connection type	2m PVC cable	

Dimensions



Wiring diagram



Metal cylindrical shape inductive sensors **LR08** series



Features

- ◆ Extended sensing distance;
- ◆ ASIC design, safe and reliable;
- ◆ Perfect choice for metallic target detection;



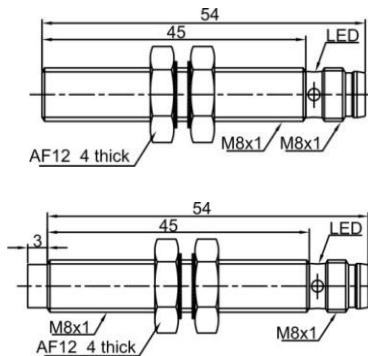
Part number

DC 2wires NO	LR08BF02DLOY-E1	LR08BN04DLOY-E1	DC 2wires NC	LR08BF02DLCY-E1	LR08BN04DLOY-E1
--------------	-----------------	-----------------	--------------	-----------------	-----------------

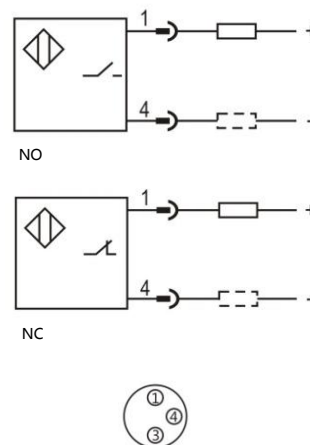
Technical specifications

Mounting	Quasi-flush	Non-flush	Leakage current [Ir]	≤1mA	
Rated distance [Sn]	2mm	4mm	Circuit protection	Reverse polarity	
Assured distance [Sa]	0...1.6mm	0...3.2mm	Output indicator	Yellow LED	
Dimensions	M8*54mm	M8*57mm	Ambient temperature	-25°C...70°C	
Output	NO/NC(depends on part number)		Ambient humidity	35-95%RH	
Supply voltage	10...30 VDC		Switching frequency [F]	1000Hz	800 Hz
Standard target	Fe 8*8*1t	Fe12*12*1t	Voltage withstand	
Switch-point drifts[%/Sr]	≤ ± 10%		Insulation resistance	≥50MΩ (500VDC)	
Hysteresis range [%/Sr]	1...20%		Vibration resistance	10...50Hz (1.5mm)	
Repeat accuracy [R]	≤ 3%		Degree of protection	IP67	
Load current	≤ 100mA		Housing material	Stainless steel	
Residual voltage	≤ 6V		Connection type	M8 connector	

Dimensions



Wiring diagram



Metal cylindrical shape inductive sensors **LR08** series



Features

- ◆ Extended sensing distance;
- ◆ ASIC design, safe and reliable;
- ◆ Perfect choice for metallic target detection;



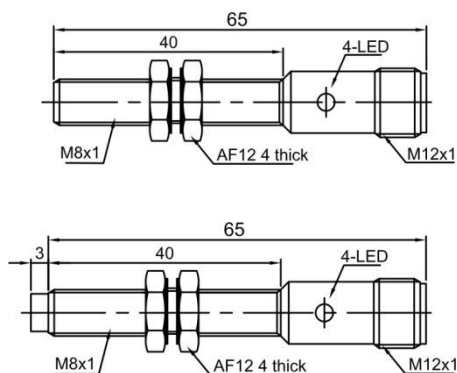
Part number

DC 2wires NO	LR08BF02DLOY-E2	LR08BN04DLOY-E2	DC 2wires NC	LR08BF02DLCY-E2	LR08BN04DLCY-E2
--------------	-----------------	-----------------	--------------	-----------------	-----------------

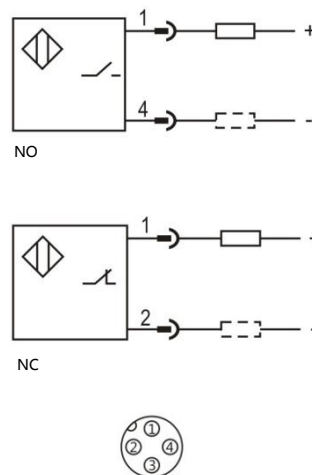
Technical specifications

Mounting	Quasi-flush	Non-flush	Leakage current [Ir]	≤1mA	
Rated distance [Sn]	2mm	4mm	Circuit protection	Reverse polarity	
Assured distance [Sa]	0...1.6mm	0...3.2mm	Output indicator	Yellow LED	
Dimensions	M8*65mm	M8*68mm	Ambient temperature	-25°C...70°C	
Output	NO/NC(depends on part number)		Ambient humidity	35-95%RH	
Supply voltage	10...30 VDC		Switching frequency [F]	1000Hz	800 Hz
Standard target	Fe 8*8*1t	Fe12*12*1t	Voltage withstand	
Switch-point drifts[%/Sr]	≤ ± 10%		Insulation resistance	≥50MΩ (500VDC)	
Hysteresis range [%/Sr]	1...20%		Vibration resistance	10...50Hz (1.5mm)	
Repeat accuracy [R]	≤ 3%		Degree of protection	IP67	
Load current	≤ 100mA		Housing material	Nickel-copper alloy	
Residual voltage	≤ 6V		Connection type	M12 connector	

Dimensions



Wiring diagram



Metal cylindrical shape inductive sensors **LR6.5Q** series



Features

- ◆ Extended sensing distance;
- ◆ ASIC design, safe and reliable;
- ◆ Perfect choice for metallic target detection;



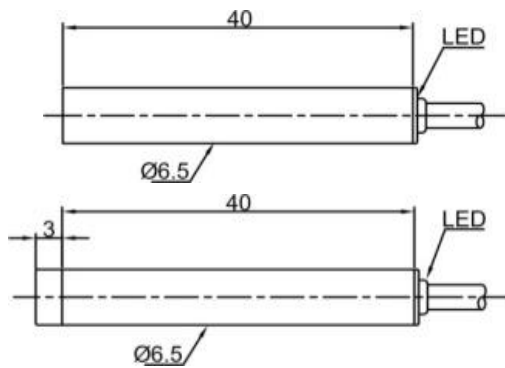
Part number

NPN NO	LR6.5QBF02DNOY	LR6.5QBN04DNOY	PNP NO	LR6.5QBF02DPOY	LR6.5QBN04DPOY
NPN NC	LR6.5QBF02DNCY	LR6.5QBN04DNCY	PNP NC	LR6.5QBF02DPCY	LR6.5QBN04DPCY

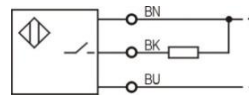
Technical specifications

Mounting	Flush Non-flush	Current consumption	≤10mA
Rated distance [Sn]	2mm 4mm	Circuit protection	Short-circuit, overload and reverse polarity
Assured distance [Sa]	0...1.6mm 0...3.2mm	Output indicator	YellowLED
Dimensions	Φ 6.5*40mm Φ 6.5*43mm	Ambient temperature	-25°C...70°C
Output	NO/NC(depends on part number)	Ambient humidity	35-95%RH
Supply voltage	10...30 VDC	Switching frequency [F]	1000Hz 800Hz
Standard target	Fe 8*8*1t Fe12*12*1t	Voltage withstand
Switch-point drifts[%/Sr]	≤ ± 10%	Insulation resistance	≥50MΩ (500VDC)
Hysteresis range [%/Sr]	1...20%	Vibration resistance	10...50Hz (1.5mm)
Repeat accuracy [R]	≤ 3%	Degree of protection	IP67
Load current	≤ 150mA	Housing material	Stainless steel
Residual voltage	≤ 2.5V	Connection type	2m PVC cable

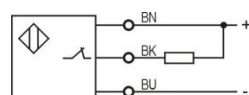
Dimensions



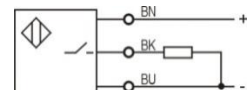
Wiring diagram



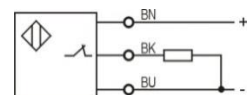
NPN NO



NPN NC



PNP NO



PNP NC

Metal cylindrical shape inductive sensors **LR6.5Q** series



Features

- ◆ Extended sensing distance;
- ◆ ASIC design, safe and reliable;
- ◆ Perfect choice for metallic target detection;



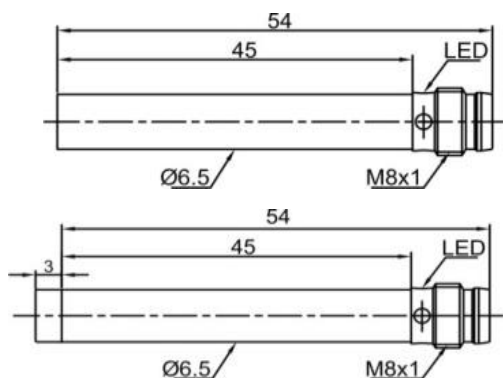
Part number

NPN NO	LR6.5QBF02DNOY-E1	LR6.5QBN04DNOY-E1	PNP NO	LR6.5QBF02DPOY-E1	LR6.5QBN04DPOY-E1
NPN NC	LR6.5QBF02DNCY-E1	LR6.5QBN04DNCY-E1	PNP NC	LR6.5QBF02DPCY-E1	LR6.5QBN04DPCY-E1

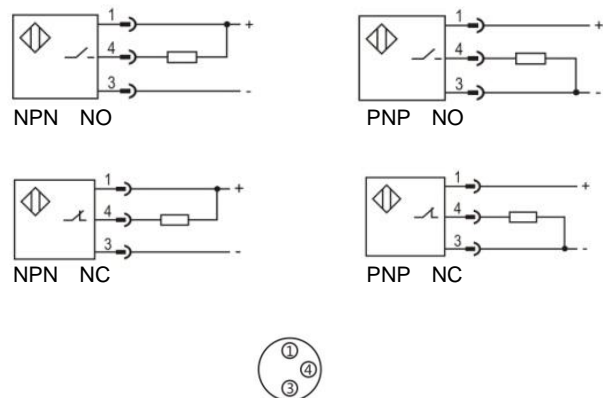
Technical specifications

Mounting	Flush Non-flush	Current consumption	≤10mA
Rated distance [Sn]	2mm 4mm	Circuit protection	Short-circuit, overload and reverse polarity
Assured distance [Sa]	0...1.6mm 0...3.2mm	Output indicator	YellowLED
Dimensions	Φ 6.5*54mm Φ 6.5*57mm	Ambient temperature	-25°C...70°C
Output	NO/NC(depends on part number)	Ambient humidity	35-95%RH
Supply voltage	10...30 VDC	Switching frequency [F]	1000Hz 800Hz
Standard target	Fe 8*8*1t/Fe12*12*1t	Voltage withstand
Switch-point drifts[%/Sr]	≤ ± 10%	Insulation resistance	≥50MΩ (500VDC)
Hysteresis range [%/Sr]	1...20%	Vibration resistance	10...50Hz (1.5mm)
Repeat accuracy [R]	≤ 3%	Degree of protection	IP67
Load current	≤ 150mA	Housing material	Stainless steel
Residual voltage	≤ 2.5V	Connection type	M8 connector

Dimensions



Wiring diagram



По вопросам продаж и поддержки обращайтесь:

Алматы (727)345-47-04
Ангарск (3955)60-70-56
Архангельск (8182)63-90-72
Астрахань (8512)99-46-04
Барнаул (3852)73-04-60
Белгород (4722)40-23-64
Благовещенск (4162)22-76-07
Брянск (4832)59-03-52
Владивосток (423)249-28-31
Владикавказ (8672)28-90-48
Владимир (4922)49-43-18
Волгоград (844)278-03-48
Вологда (8172)26-41-59
Воронеж (473)204-51-73
Екатеринбург (343)384-55-89

Иваново (4932)77-34-06
Ижевск (3412)26-03-58
Иркутск (395)279-98-46
Казань (843)206-01-48
Калининград (4012)72-03-81
Калуга (4842)92-23-67
Кемерово (3842)65-04-62
Киров (8332)68-02-04
Коломна (4966)23-41-49
Кострома (4942)77-07-48
Краснодар (861)203-40-90
Красноярск (391)204-63-61
Курск (4712)77-13-04
Курган (3522)50-90-47
Липецк (4742)52-20-81

Магнитогорск (3519)55-03-13
Москва (495)268-04-70
Мурманск (8152)59-64-93
Набережные Челны (8552)20-53-41
Новокузнецк (3843)20-46-81
Ноябрьск (3496)41-32-12
Новосибирск (383)227-86-73
Омск (3812)21-46-40
Орел (4862)44-53-42
Оренбург (3532)37-68-04
Пенза (8412)22-31-16
Петрозаводск (8142)55-98-37
Псков (8112)59-10-37
Пермь (342)205-81-47

Ростов-на-Дону (863)308-18-15
Рязань (4912)46-61-64
Самара (846)206-03-16
Санкт-Петербург (812)309-46-40
Саратов (845)249-38-78
Севастополь (8692)22-31-93
Саранск (8342)22-96-24
Симферополь (3652)67-13-56
Смоленск (4812)29-41-54
Сочи (862)225-72-31
Ставрополь (8652)20-65-13
Сургут (3462)77-98-35
Сыктывкар (8212)25-95-17
Тамбов (4752)50-40-97
Тверь (4822)63-31-35

Тольятти (8482)63-91-07
Томск (3822)98-41-53
Тула (4872)33-79-87
Тюмень (3452)66-21-18
Ульяновск (8422)24-23-59
Улан-Удэ (3012)59-97-51
Уфа (347)229-48-12
Хабаровск (4212)92-98-04
Чебоксары (8352)28-53-07
Челябинск (351)202-03-61
Череповец (8202)49-02-64
Чита (3022)38-34-83
Якутск (4112)23-90-97
Ярославль (4852)69-52-93

Россия +7(495)268-04-70

Казахстан +(727)345-47-04

Беларусь +(375)257-127-884

Узбекистан +998(71)205-18-59

Киргизия +996(312)96-26-47

эл.почта: ahj@nt-rt.ru || сайт: <https://lanbao.nt-rt.ru/>