

Индуктивные датчики со стандартными функциями LE

Технические характеристики

По вопросам продаж и поддержки обращайтесь:

Алматы (727)345-47-04
Ангарск (3955)60-70-56
Архангельск (8182)63-90-72
Астрахань (8512)99-46-04
Барнаул (3852)73-04-60
Белгород (4722)40-23-64
Благовещенск (4162)22-76-07
Брянск (4832)59-03-52
Владивосток (423)249-28-31
Владикавказ (8672)28-90-48
Владимир (4922)49-43-18
Волгоград (844)278-03-48
Вологда (8172)26-41-59
Воронеж (473)204-51-73
Екатеринбург (343)384-55-89

Иваново (4932)77-34-06
Ижевск (3412)26-03-58
Иркутск (395)279-98-46
Казань (843)206-01-48
Калининград (4012)72-03-81
Калуга (4842)92-23-67
Кемерово (3842)65-04-62
Киров (8332)68-02-04
Коломна (4966)23-41-49
Кострома (4942)77-07-48
Краснодар (861)203-40-90
Красноярск (391)204-63-61
Курск (4712)77-13-04
Курган (3522)50-90-47
Липецк (4742)52-20-81

Магнитогорск (3519)55-03-13
Москва (495)268-04-70
Мурманск (8152)59-64-93
Набережные Челны (8552)20-53-41
Нижний Новгород (831)429-08-12
Новокузнецк (3843)20-46-81
Ноябрьск (3496)41-32-12
Новосибирск (383)227-86-73
Омск (3812)21-46-40
Орел (4862)44-53-42
Оренбург (3532)37-68-04
Пенза (8412)22-31-16
Петрозаводск (8142)55-98-37
Псков (8112)59-10-37
Пермь (342)205-81-47

Ростов-на-Дону (863)308-18-15
Рязань (4912)46-61-64
Самара (846)206-03-16
Санкт-Петербург (812)309-46-40
Саратов (845)249-38-78
Севастополь (8692)22-31-93
Саранск (8342)22-96-24
Симферополь (3652)67-13-56
Смоленск (4812)29-41-54
Сочи (862)225-72-31
Ставрополь (8652)20-65-13
Сургут (3462)77-98-35
Сыктывкар (8212)25-95-17
Тамбов (4752)50-40-97
Тверь (4822)63-31-35

Тольятти (8482)63-91-07
Томск (3822)98-41-53
Тула (4872)33-79-87
Тюмень (3452)66-21-18
Ульяновск (8422)24-23-59
Улан-Удэ (3012)59-97-51
Уфа (347)229-48-12
Хабаровск (4212)92-98-04
Чебоксары (8352)28-53-07
Челябинск (351)202-03-61
Череповец (8202)49-02-64
Чита (3022)38-34-83
Якутск (4112)23-90-97
Ярославль (4852)69-52-93

Россия +7(495)268-04-70

Казахстан +(727)345-47-04

Беларусь +(375)257-127-884

Узбекистан +998(71)205-18-59

Киргизия +996(312)96-26-47

эл.почта: ahj@nt-rt.ru || сайт: <https://lanbao.nt-rt.ru/>

Metal square shape inductive sensors **LE84** series



Features

- ◆ Non contact detection, safe and reliable;
- ◆ ASIC design;
- ◆ Perfect choice for metallic targets detection;



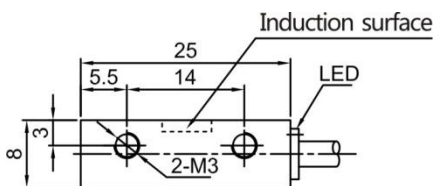
Part number

NPN NO	LE84VF15DNO	PNP NO	LE84VF15DPO
NPN NC	LE84VF15DNC	PNP NC	LE84VF15DPC

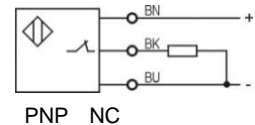
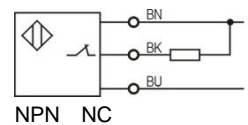
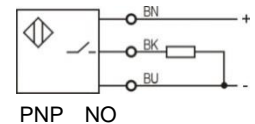
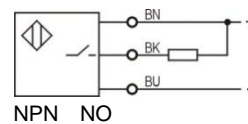
Technical specifications

Mounting	Flush	Current consumption	≤10mA
Rated distance [Sn]	1.5mm	Circuit protection	Reverse polarity protection
Assured distance [Sa]	0...1.2mm	Output indicator	Yellow LED
Dimensions	8 * 8 * 25 mm	Ambient temperature	-25°C...70°C
Output	NO/NC(depends on part number)	Ambient humidity	35-95%RH
Supply voltage	10...30 VDC	Switching frequency [F]	2000 Hz
Standard target	Fe 8*8*1t	Voltage withstand	1000V/AC 50/60Hz 60s
Switch-point drifts [%/Sr]	≤ ± 10%	Insulation resistance	≥50MΩ(500VDC)
Hysteresis range [%/Sr]	1...20%	Vibration resistance	10...50Hz (1.5mm)
Repeat accuracy [R]	≤ 3%	Degree of protection	IP67
Load current	≤ 100mA	Housing material	Aluminum alloy
Residual voltage	≤ 2.5V	Connection type	2m PVC cable

Dimensions



Wiring diagram



Metal square shape inductive sensors **LE84** series



Features

- ◆ Non contact detection, safe and reliable;
- ◆ ASIC design;
- ◆ Perfect choice for metallic targets detection;



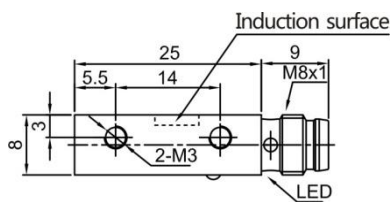
Part number

NPN NO	LE84VF15DNO-E1	PNP NO	LE84VF15DPO-E1
NPN NC	LE84VF15DNC-E1	PNP NC	LE84VF15DPC-E1

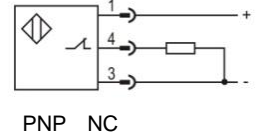
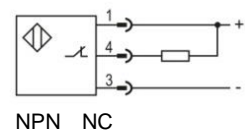
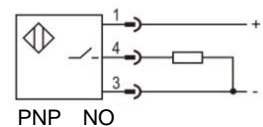
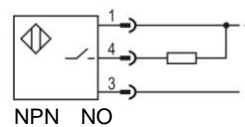
Technical specifications

Mounting	Flush	Current consumption	≤10mA
Rated distance [Sn]	1.5mm	Circuit protection	Reverse polarity protection
Assured distance [Sa]	0...1.2mm	Output indicator	Yellow LED
Dimensions	8 * 8 * 34 mm	Ambient temperature	-25°C...70°C
Output	NO/NC(depends on part number)	Ambient humidity	35-95%RH
Supply voltage	10...30 VDC	Switching frequency [F]	2000 Hz
Standard target	Fe 8*8*1t	Voltage withstand	1000V/AC 50/60Hz 60s
Switch-point drifts [%/Sr]	≤ ± 10%	Insulation resistance	≥50MΩ(500VDC)
Hysteresis range [%/Sr]	1...20%	Vibration resistance	10...50Hz (1.5mm)
Repeat accuracy [R]	≤ 3%	Degree of protection	IP67
Load current	≤ 100mA	Housing material	Aluminum alloy
Residual voltage	≤ 2.5V	Connection type	M8 connector

Dimensions



Wiring diagram



Metal square shape inductive sensors **LE82** series



Features

- ◆ Non contact detection, safe and reliable;
- ◆ ASIC design;
- ◆ Perfect choice for metallic targets detection;



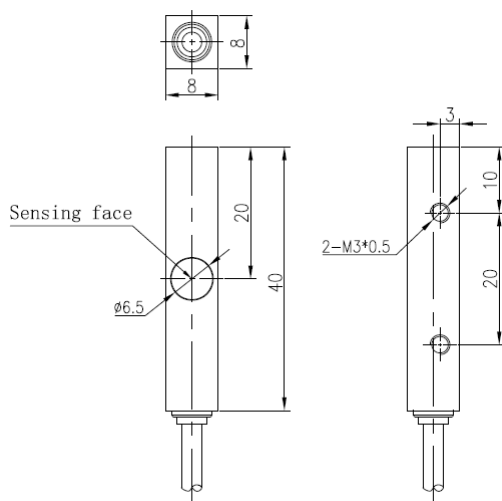
Part number

NPN NO	LE82VF15DNO	PNP NO	LE82VF15DPO
NPN NC	LE82VF15DNC	PNP NC	LE82VF15DPC

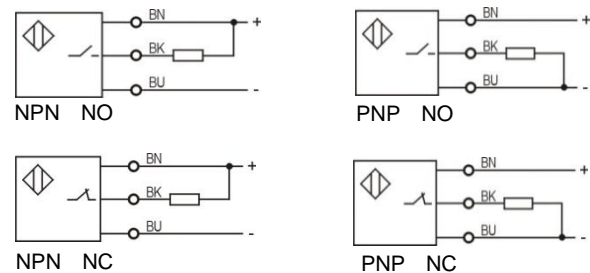
Technical specifications

Mounting	Flush	Current consumption	≤10mA
Rated distance [Sn]	1.5mm	Circuit protection	Reverse polarity protection
Assured distance [Sa]	0...1.2mm	Output indicator	Yellow LED
Dimensions	8 * 8 * 40 mm	Ambient temperature	-25°C...70°C
Output	NO/NC(depends on part number)	Ambient humidity	35-95%RH
Supply voltage	10...30 VDC	Switching frequency [F]	2000 Hz
Standard target	Fe 8*8*1t	Voltage withstand	1000V/AC 50/60Hz 60s
Switch-point drifts [%/Sr]	≤ ± 10%	Insulation resistance	≥50MΩ(500VDC)
Hysteresis range [%/Sr]	1...20%	Vibration resistance	10...50Hz (1.5mm)
Repeat accuracy [R]	≤3%	Degree of protection	IP67
Load current	≤100mA	Housing material	Aluminum alloy
Residual voltage	≤2.5V	Connection type	2m PVC cable

Dimensions



Wiring diagram



Metal square shape inductive sensors **LE82** series



Features

- ◆ Non contact detection, safe and reliable;
- ◆ ASIC design;
- ◆ Perfect choice for metallic targets detection;



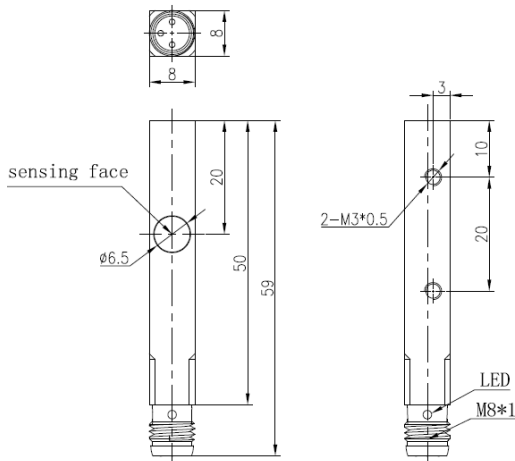
Part number

NPN NO	LE82VF15DNO-E1	PNP NO	LE82VF15DPO-E1
NPN NC	LE82VF15DNC-E1	PNP NC	LE82VF15DPC-E1

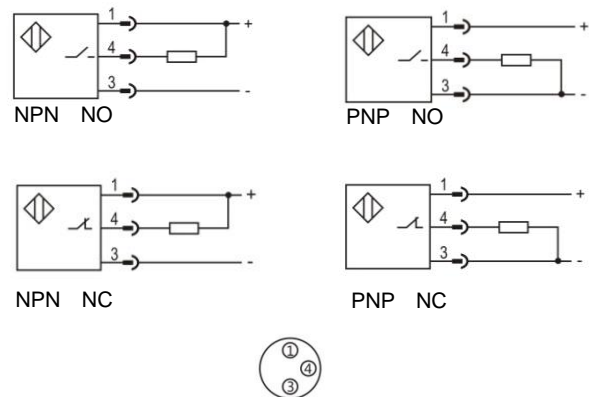
Technical specifications

Mounting	Flush	Current consumption	≤10mA
Rated distance [Sn]	1.5mm	Circuit protection	Reverse polarity protection
Assured distance [Sa]	0...1.2mm	Output indicator	Yellow LED
Dimensions	8 * 8 * 59 mm	Ambient temperature	-25°C...70°C
Output	NO/NC(depends on part number)	Ambient humidity	35-95%RH
Supply voltage	10...30 VDC	Switching frequency [F]	2000 Hz
Standard target	Fe 8*8*1t	Voltage withstand	1000V/AC 50/60Hz 60s
Switch-point drifts [%/Sr]	≤ ± 10%	Insulation resistance	≥50MΩ(500VDC)
Hysteresis range [%/Sr]	1...20%	Vibration resistance	10...50Hz (1.5mm)
Repeat accuracy [R]	≤3%	Degree of protection	IP67
Load current	≤100mA	Housing material	Aluminum alloy
Residual voltage	≤2.5V	Connection type	M8 connector

Dimensions



Wiring diagram



Metal square shape inductive sensors **LE81** series



Features

- ◆ Non contact detection, safe and reliable;
- ◆ ASIC design;
- ◆ Perfect choice for metallic targets detection;



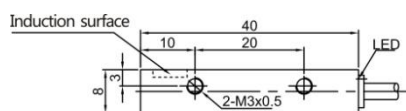
Part number

NPN NO	LE81VF15DNO	PNP NO	LE81VF15DPO
NPN NC	LE81VF15DNC	PNP NC	LE81VF15DPC

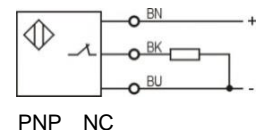
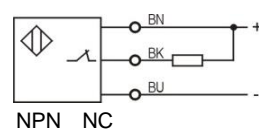
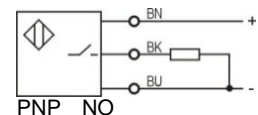
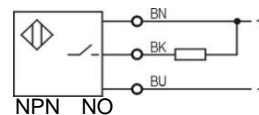
Technical specifications

Mounting	Flush	Current consumption	≤10mA
Rated distance [Sn]	1.5mm	Circuit protection	Reverse polarity protection
Assured distance [Sa]	0...1.2mm	Output indicator	Yellow LED
Dimensions	8 * 8 * 40 mm	Ambient temperature	-25°C...70°C
Output	NO/NC(depends on part number)	Ambient humidity	35-95%RH
Supply voltage	10...30 VDC	Switching frequency [F]	2000 Hz
Standard target	Fe 8*8*1t	Voltage withstand	1000V/AC 50/60Hz 60s
Switch-point drifts [%/Sr]	≤ ± 10%	Insulation resistance	≥50MΩ(500VDC)
Hysteresis range [%/Sr]	1...20%	Vibration resistance	10...50Hz (1.5mm)
Repeat accuracy [R]	≤ 3%	Degree of protection	IP67
Load current	≤ 100mA	Housing material	Aluminum alloy
Residual voltage	≤ 2.5V	Connection type	2m PVC cable

Dimensions



Wiring diagram



Metal square shape inductive sensors **LE81** series



Features

- ◆ Non contact detection, safe and reliable;
- ◆ ASIC design;
- ◆ Perfect choice for metallic targets detection;



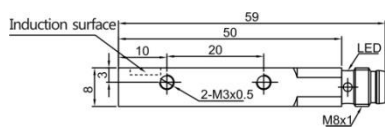
Part number

NPN NO	LE81VF15DNO-E1	PNP NO	LE81VF15DPO-E1
NPN NC	LE81VF15DNC-E1	PNP NC	LE81VF15DPC-E1

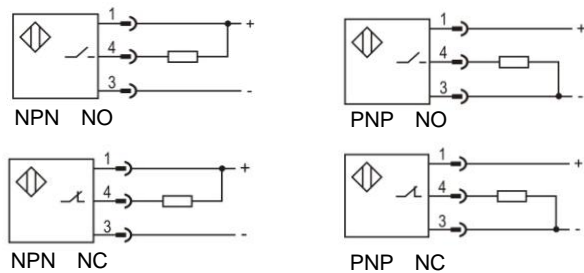
Technical specifications

Mounting	Flush	Current consumption	≤10mA
Rated distance [Sn]	1.5mm	Circuit protection	Reverse polarity protection
Assured distance [Sa]	0...1.2mm	Output indicator	Yellow LED
Dimensions	8 * 8 * 59 mm	Ambient temperature	-25°C...70°C
Output	NO/NC(depends on part number)	Ambient humidity	35-95%RH
Supply voltage	10...30 VDC	Switching frequency [F]	2000 Hz
Standard target	Fe 8*8*1t	Voltage withstand	1000V/AC 50/60Hz 60s
Switch-point drifts [%/Sr]	≤ ± 10%	Insulation resistance	≥50MΩ(500VDC)
Hysteresis range [%/Sr]	1...20%	Vibration resistance	10...50Hz (1.5mm)
Repeat accuracy [R]	≤ 3%	Degree of protection	IP67
Load current	≤ 100mA	Housing material	Aluminum alloy
Residual voltage	≤ 2.5V	Connection type	M8 connector

Dimensions



Wiring diagram



Plastic square shape inductive sensors **LE18** series



Features

- ◆ Non contact detection, safe and reliable;
- ◆ ASIC design;
- ◆ Perfect choice for metallic targets detection;



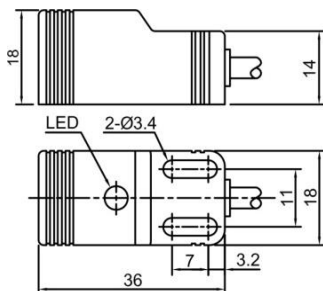
Part number

NPN NO	LE18SF05DNO	LE18SN08DNO	PNP NO	LE18SF05DPO	LE18SN08DPO
NPN NC	LE18SF05DNC	LE18SN08DNC	PNP NC	LE18SF05DPC	LE18SN08DPC

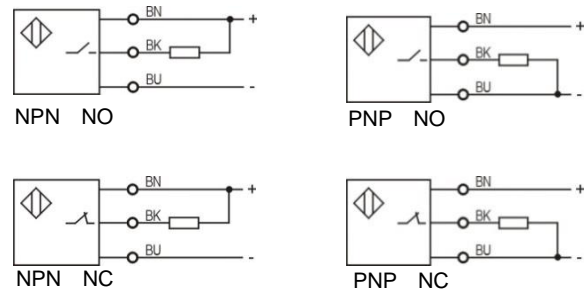
Technical specifications

Mounting	Flush	Non-flush	Current consumption	≤10mA	
Rated distance [Sn]	5mm	8mm	Circuit protection	Short-circuit, overload and reverse polarity	
Assured distance [Sa]	0...4mm	0...6.4mm	Output indicator	Yellow LED	
Dimensions	18 *18 *36 mm		Ambient temperature	-25°C...70°C	
Output	NO/NC(depends on part number)		Ambient humidity	35-95%RH	
Supply voltage	10...30 VDC		Switching frequency [F]	700 Hz	500Hz
Standard target	Fe 18*18*1t	Fe 24*24*1t	Voltage withstand	1000V/AC 50/60Hz 60s	
Switch-point drifts [%/Sr]	≤ ± 10%		Insulation resistance	≥50MΩ(500VDC)	
Hysteresis range [%/Sr]	1...20%		Vibration resistance	10...50Hz (1.5mm)	
Repeat accuracy [R]	≤ 3%		Degree of protection	IP67	
Load current	≤ 100mA		Housing material	PBT	
Residual voltage	≤ 2.5V		Connection type	2m PVC cable	

Dimensions



Wiring diagram



Metal square inductive sensor **LE05** series



Feature description:

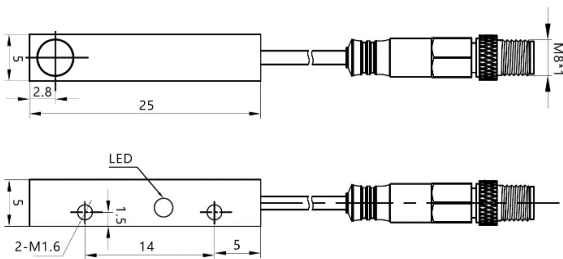
- ◆ Non-contact detection, safe and reliable, no wear
- ◆ Adopt ASIC technology, with stable performance
- ◆ Compact shape, flexible installation, suitable for very small space
- ◆ IP67



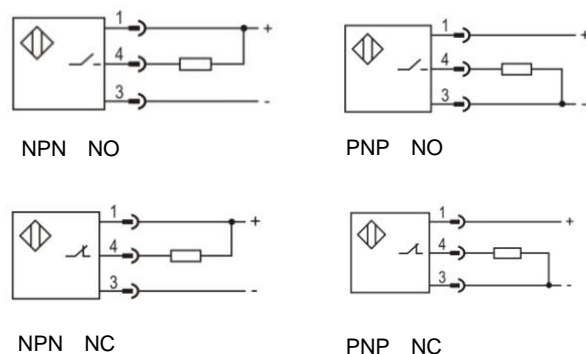
Part number			
NPN NO	LE05VF08DNO-F1	NPN NC	LE05VF08DNC-F1
PNP NO	LE05VF08DPO-F1	PNP NC	LE05VF08DPC-F1

Specification			
Installation	Flush	Protection circuit	Overload, short-circuit and reverse polarity protection
Rated distance S_n	0.8mm	Output indicator	Red LED
Assured distance S_a	0...0.64mm	Ambient temperature	-25°C... 70°C
Shape size	25*5*5mm	Ambient humidity	35... 95%RH
Output	NO/NC	Switch frequency	1800 Hz
Supply voltage	10...30 VDC	Impulse resistance	1000V/AC 50/60Hz 60s
Standard target	Fe 6*6*1t	Insulation resistance	≥50M (75VDC)
Switch point offset [%/Sr]	≤±10%	Vibration resistance	Complex amplitude 1.5mm 1050Hz (2h per X,Y,Z direction)
Hysteresis range [%/Sr]	1...20%	Protection degree	IP67
Repeated error	≤5%	Housing material	Aluminum alloy
Load current	≤100mA	Connection	M8 connector+0.2m PURcable
Residual voltage	≤2.5V		
Current consumption	≤15mA		

Dimensions



Wiring Diagram



Metal square inductive sensor **LE05** series



Feature description:

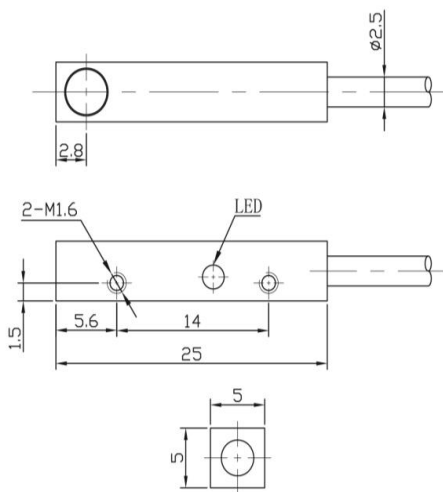
- ◆ Non-contact detection, safe and reliable, no wear;
- ◆ Adopt ASIC technology, with stable performance;
- ◆ Compact shape, flexible installation, suitable for very small space;
- ◆ IP67;



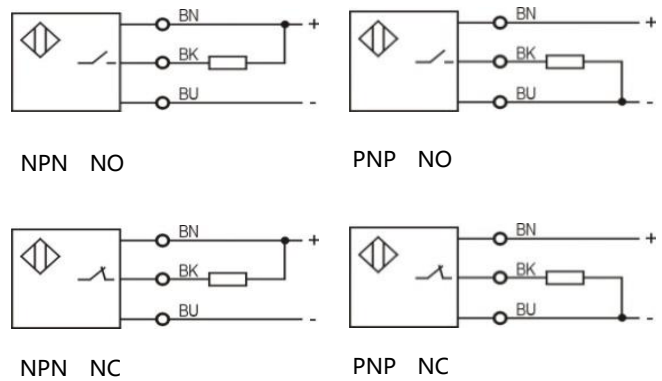
Part number			
NPN NO	LE05VF08DNO	NPN NC	LE05VF08DNC
PNP NO	LE05VF08DPO	PNP NC	LE05VF08DPC

Specification			
Installation	Flush	Protection circuit	Overload, short-circuit and reverse polarity protection
Rated distance S_n	0.8mm	Output indicator	Red LED
Assured distance S_a	0...0.64mm	Ambient temperature	-25°C... 70°C
Shape size	25mm *5mm *5mm	Ambient humidity	35-95%RH
Output	NO/NC	Switch frequency	1800 Hz
Supply voltage	10... 30 VDC	Impulse resistance	1000V/AC 50/60Hz 60s
Standard target	Fe 6*6*1t	Insulation resistance	≥50M (75VDC)
Switch point offset [%/Sr]	≤±10%	Vibration resistance	Complex amplitude 1.5mm 1050Hz (2h per X,Y,Zdirection)
Hysteresis range [%/Sr]	1...20%	Protection degree	IP67
Repeated error	≤5%	Housing material	Aluminum alloy
Load current	≤100mA	Connection	2m PUR cable
Residual voltage	≤2.5V		
Current consumption	≤15mA		

Dimensions



Wiring Diagram



Metal square inductive sensor **LE05** series



Feature description:

- ◆ Non-contact detection, safe and reliable, no wear;
- ◆ Adopt ASIC technology, with stable performance;
- ◆ Compact shape, flexible installation, suitable for very small space;
- ◆ IP67



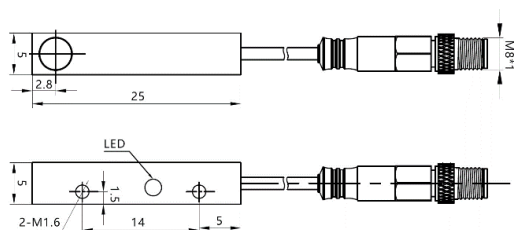
Part number

DC 2 wires NO	LE05VF08DLO-F1	DC 2 wires NC	LE05VF08DLC-F1
---------------	----------------	---------------	----------------

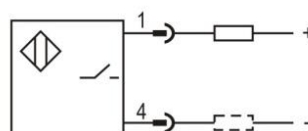
Specification

Installation	Flush	Protection circuit	Overload, short-circuit and reverse polarity protection
Rated distance S_n	0.8mm	Output indicator	Red LED
Assured distance S_a	0...0.64mm	Ambient temperature	-25°C...70°C
Shape size	25*5*5mm	Ambient humidity	35...95%RH
Output	NO/NC	Switch frequency	1500 Hz
Supply voltage	10...30 VDC	Impulse resistance	1000V/AC 50/60Hz 60s
Standard target	Fe 6*6*1t	Insulation resistance	≥50M (75VDC)
Switch point offset [%/Sr]	±10%	Vibration resistance	Complex amplitude 1.5mm 1050Hz (2h per X,Y,Z direction)
Hysteresis range [%/Sr]	1...20%	Protection degree	IP67
Repeated error	≤5%	Housing material	Aluminum alloy
Load current	≤100mA	Connection	M8 connector+0.2m PUR cable
Residual voltage	≤8V		
Current consumption	≤15mA		

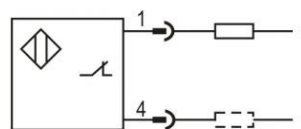
Dimensions



Wiring Diagram



DC2 wire NO



DC2 wire NC



Metal square inductive sensor **LE05** series



Feature description:

- ◆ Non-contact detection, safe and reliable, no wear;
- ◆ Adopt ASIC technology, with stable performance;
- ◆ Compact shape, flexible installation, suitable for very small space;
- ◆ IP67



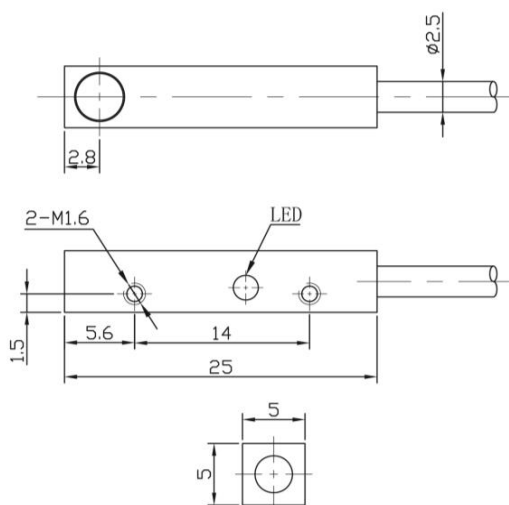
Part number

DC 2 wires NO	LE05VF08DLO	DC 2 wires NC	LE05VF08DLC
---------------	-------------	---------------	-------------

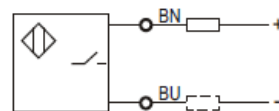
Specification

Installation	Flush	Protection circuit	Overload, short-circuit and reverse polarity protection
Rated distance S_n	0.8mm	Output indicator	Red LED
Assured distance S_a	0...0.64mm	Ambient temperature	-25°C...70°C
Shape size	25*5*5mm	Ambient humidity	35...95%RH
Output	NO/NC	Switch frequency	1500 Hz
Supply voltage	10...30 VDC	Impulse resistance	1000V/AC 50/60Hz 60s
Standard target	Fe 6*6*1t	Insulation resistance	≥50M (75VDC)
Switch point offset[%/Sr]	≤±10%	Vibration resistance	Complex amplitude 1.5mm 1050Hz (2h per X,Y,Z direction)
Hysteresis range [%/Sr]	1...20%	Protection degree	IP67
Repeated error	≤5%	Housing material	Aluminum alloy
Load current	≤100mA	Connection	2m PUR cable
Residual voltage	≤8V		
Current consumption	≤15mA		

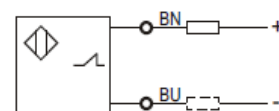
Dimensions



Wiring Diagram



DC2 wire NO



DC2 wire NC

Plastic square shape inductive sensors **LE09** series

Features

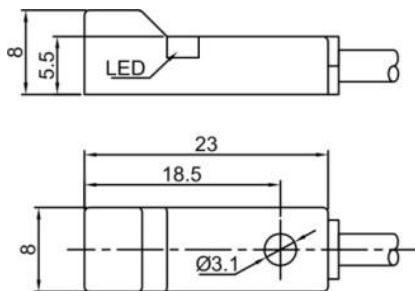
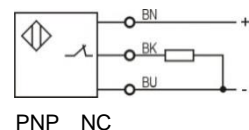
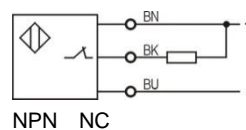
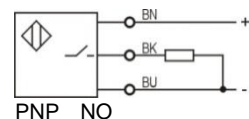
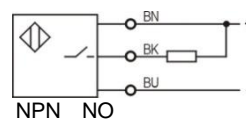
- ◆ Non contact detection, safe and reliable;
- ◆ ASIC design;
- ◆ Perfect choice for metallic targets detection;


Part number

NPN NO	LE09SN25DNO	PNP NO	LE09SN25DPO
NPN NC	LE09SN25DNC	PNP NC	LE09SN25DPC

Technical specifications

Mounting	Non-flush	Current consumption	≤10mA
Rated distance [Sn]	2.5mm	Circuit protection	Short-circuit, overload and reverse polarity
Assured distance [Sa]	0...2mm	Output indicator	Red LED
Dimensions	8 * 8 * 23 mm	Ambient temperature	-25°C...70°C
Output	NO/NC(depends on part number)	Ambient humidity	35-95%RH
Supply voltage	10...30 VDC	Switching frequency [F]	1000 Hz
Standard target	Fe 8*8*1t	Voltage withstand	1000V/AC 50/60Hz 60s
Switch-point drifts [%/Sr]	≤ ± 10%	Insulation resistance	≥50MΩ(500VDC)
Hysteresis range [%/Sr]	1...20%	Vibration resistance	10...50Hz (1.5mm)
Repeat accuracy [R]	≤ 3%	Degree of protection	IP67
Load current	≤ 100mA	Housing material	PC
Residual voltage	≤ 2.5V	Connection type	2m PUR cable

Dimensions

Wiring diagram


Plastic square shape inductive sensors **LE08X** series

Features

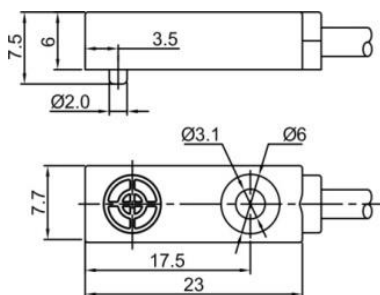
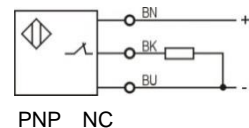
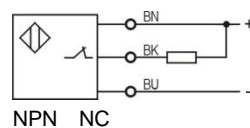
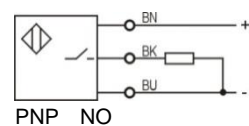
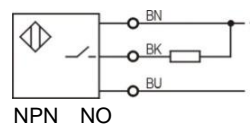
- ◆ Non contact detection, safe and reliable;
- ◆ ASIC design;
- ◆ Perfect choice for metallic targets detection;


Part number

NPN NO	LE08XSN25DNO	PNP NO	LE08XSN25DPO
NPN NC	LE08XSN25DNC	PNP NC	LE08XSN25DPC

Technical specifications

Mounting	Non-flush	Current consumption	≤10mA
Rated distance [Sn]	2.5mm	Circuit protection	reverse polarity
Assured distance [Sa]	0...2mm	Output indicator	Red LED
Dimensions	7.5 * 7.7 * 23 mm	Ambient temperature	-25°C...70°C
Output	NO/NC(depends on part number)	Ambient humidity	35-95%RH
Supply voltage	10...30 VDC	Switching frequency [F]	1000 Hz
Standard target	Fe 8*8*1t	Voltage withstand	1000V/AC 50/60Hz 60s
Switch-point drifts [%/Sr]	≤±10%	Insulation resistance	≥50MΩ(500VDC)
Hysteresis range [%/Sr]	1...20%	Vibration resistance	10...50Hz (1.5mm)
Repeat accuracy [R]	≤3%	Degree of protection	IP67
Load current	≤100mA	Housing material	PC
Residual voltage	≤2.5V	Connection type	2m PUR cable

Dimensions

Wiring diagram


Plastic square shape inductive sensors **LE08** series


Features

- ◆ Non contact detection, safe and reliable;
- ◆ ASIC design;
- ◆ Perfect choice for metallic targets detection;



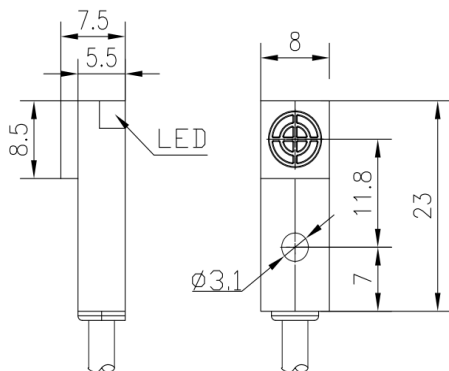
Part number

NPN NO	LE08SN25DNO	PNP NO	LE08SN25DPO
NPN NC	LE08SN25DNC	PNP NC	LE08SN25DPC

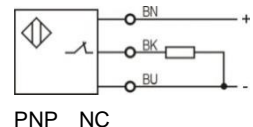
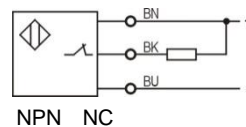
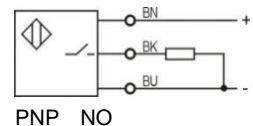
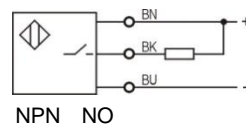
Technical specifications

Mounting	Non-flush	Current consumption	≤10mA
Rated distance [Sn]	2.5mm	Circuit protection	Short-circuit, overload and reverse polarity
Assured distance [Sa]	0...2mm	Output indicator	Red LED
Dimensions	7.5 * 8 * 23 mm	Ambient temperature	-25°C...70°C
Output	NO/NC(depends on part number)	Ambient humidity	35-95%RH
Supply voltage	10...30 VDC	Switching frequency [F]	1000 Hz
Standard target	Fe 8*8*1t	Voltage withstand	1000V/AC 50/60Hz 60s
Switch-point drifts [%/Sr]	≤ ± 10%	Insulation resistance	≥50MΩ(500VDC)
Hysteresis range [%/Sr]	1...20%	Vibration resistance	10...50Hz (1.5mm)
Repeat accuracy [R]	≤ 3%	Degree of protection	IP67
Load current	≤ 100mA	Housing material	PC
Residual voltage	≤ 2.5V	Connection type	2m PUR cable

Dimensions



Wiring diagram



Plastic square shape inductive sensors **LE80XZ** series



Features

- ◆ Non contact detection, safe and reliable;
- ◆ ASIC design;
- ◆ Perfect choice for metallic targets detection;



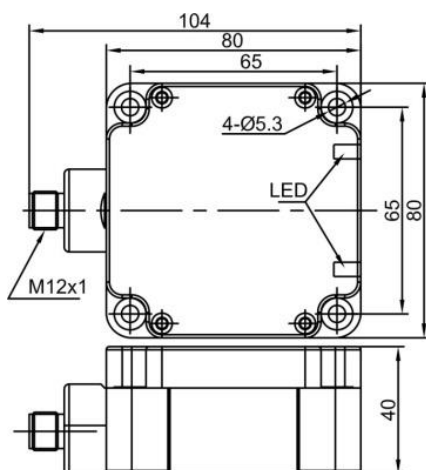
Part number

NPN NO	LE80XZSF40DNO-E2	LE80XZSN50DNO-E2	PNP NO	LE80XZSF40DPO-E2	LE80XZSN50DPO-E2
NPN NC	LE80XZSF40DNC-E2	LE80XZSN50DNC-E2	PNP NC	LE80XZSF40DPC-E2	LE80XZSN50DPC-E2
NPN NO+NC	LE80XZSF40DNR-E2	LE80XZSN50DNR-E2	PNP NO+NC	LE80XZSF40DPR-E2	LE80XZSN50DPR-E2

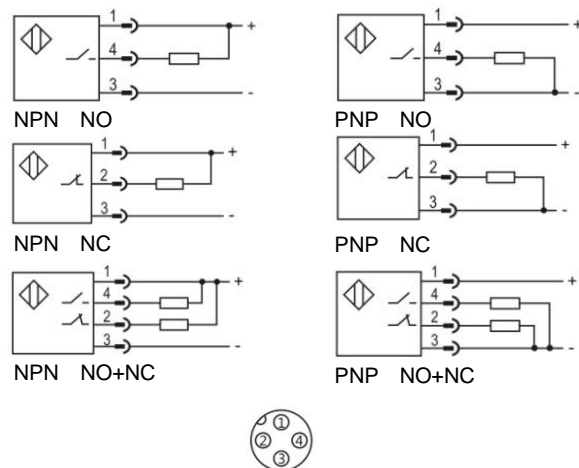
Technical specifications

Mounting	Flush	Non-flush	Current consumption	≤10mA	
Rated distance [Sn]	40mm	50mm	Circuit protection	Short-circuit, overload and reverse polarity	
Assured distance [Sa]	0...32mm	0...40mm	Output indicator	Yellow LED	
Dimensions	40 *80 *104 mm		Ambient temperature	-25°C...70°C	
Output	NO/NC (depends on part number)		Ambient humidity	35-95%RH	
Supply voltage	10...30 VDC		Switching frequency [F]	100 Hz	50 Hz
Standard target	Fe 120*120*1t	Fe 150*150*1t	Voltage withstand	1000V/AC 50/60Hz 60s	
Switch-point drifts [%/Sr]	≤ ±10%		Insulation resistance	≥50MΩ(500VDC)	
Hysteresis range [%/Sr]	1...20%		Vibration resistance	10...50Hz (1.5mm)	
Repeat accuracy [R]	≤3%		Degree of protection	IP67	
Load current	≤200mA		Housing material	PBT	
Residual voltage	≤2.5V		Connection type	M12 connector	

Dimensions



Wiring diagram



Plastic square shape inductive sensors **LE80XZ** series



Features

- ◆ Non contact detection, safe and reliable;
- ◆ ASIC design;
- ◆ Perfect choice for metallic targets detection;



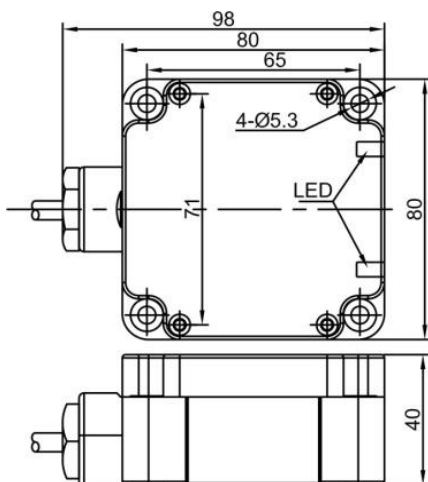
Part number

NPN NO	LE80XZSF40DNO-D	LE80XZSN50DNO-D	PNP NO	LE80XZSF40DPO-D	LE80XZSN50DPO-D
NPN NC	LE80XZSF40DNC-D	LE80XZSN50DNC-D	PNP NC	LE80XZSF40DPC-D	LE80XZSN50DPC-D
NPN NO+NC	LE80XZSF40DNR-D	LE80XZSN50DNR-D	PNP NO+NC	LE80XZSF40DPR-D	LE80XZSN50DPR-D

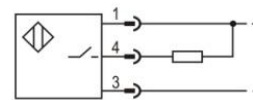
Technical specifications

Mounting	Flush	Non-flush	Current consumption	≤10mA	
Rated distance [Sn]	40mm	50mm	Circuit protection	Short-circuit, overload and reverse polarity	
Assured distance [Sa]	0...32mm	0...40mm	Output indicator	Yellow LED	
Dimensions	40 *80 *98 mm		Ambient temperature	-25°C...70°C	
Output	NO/NC (depends on part number)		Ambient humidity	35-95%RH	
Supply voltage	10...30 VDC		Switching frequency [F]	100 Hz	50 Hz
Standard target	Fe 120*120*1t	Fe 150*150*1t	Voltage withstand	1000V/AC 50/60Hz 60s	
Switch-point drifts [%/Sr]	≤ ±10%		Insulation resistance	≥50MΩ(500VDC)	
Hysteresis range [%/Sr]	1...20%		Vibration resistance	10...50Hz (1.5mm)	
Repeat accuracy [R]	≤3%		Degree of protection	IP67	
Load current	≤200mA		Housing material	PBT	
Residual voltage	≤2.5V		Connection type	Terminal	

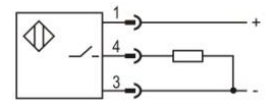
Dimensions



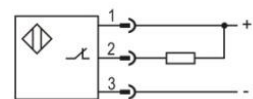
Wiring diagram



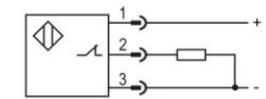
NPN NO



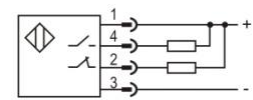
PNP NO



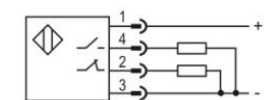
NPN NC



PNP NC



NPN NO+NC



PNP NO+NC

Plastic square shape inductive sensors **LE80XZ** series



Features

- ◆ Non contact detection, safe and reliable;
- ◆ ASIC design;
- ◆ Perfect choice for metallic targets detection;



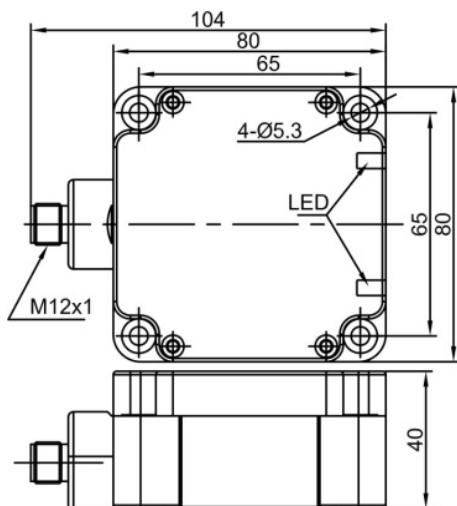
Part number

DC 2 wires NO LE80XZSF40DLO-E2 LE80XZSN50DLO-E2 DC 2 wires NC LE80XZSF40DLC-E2 LE80XZSN50DLC-E2

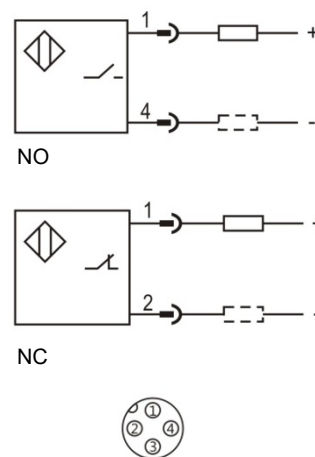
Technical specifications

Mounting	Flush	Non-flush	Leakage current [I _r]	≤1mA
Rated distance [S _n]	40mm	50mm	Circuit protection	Reverse polarity protection
Assured distance [S _a]	0...32mm	0...40mm	Output indicator	Yellow LED
Dimensions	40 *80 *104 mm		Ambient temperature	-25°C...70°C
Output	NO/NC(depends on part number)		Ambient humidity	35-95%RH
Supply voltage	10...30 VDC		Switching frequency [F]	80 Hz 40 Hz
Standard target	Fe 120*120*1t	Fe 150*150*1t	Voltage withstand	1000V/AC 50/60Hz 60s
Switch-point drifts [%/Sr]	≤ ± 10%		Insulation resistance	≥50MΩ (500VDC)
Hysteresis range [%/Sr]	1...20%		Vibration resistance	10...50Hz (1.5mm)
Repeat accuracy [R]	≤3%		Degree of protection	IP67
Load current	≤100mA		Housing material	PBT
Residual voltage	≤6V		Connection type	M12 connector

Dimensions



Wiring diagram



Plastic square shape inductive sensors **LE80XZ** series



Features

- ◆ Non contact detection, safe and reliable;
- ◆ ASIC design;
- ◆ Perfect choice for metallic targets detection;



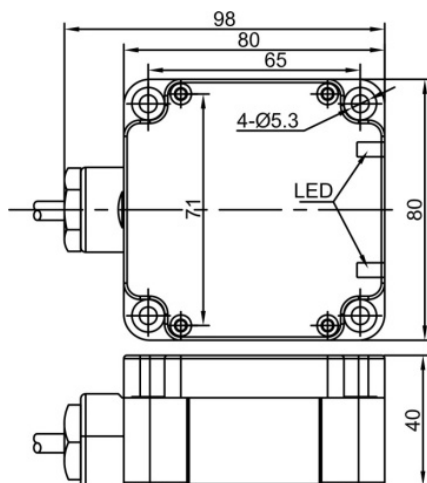
Part number

DC 2 wires NO	LE80XZSF40DLO-D	LE80XZSN50DLO-D	DC 2 wires NC	LE80XZSF40DLC-D	LE80XZSN50DLC-D
---------------	-----------------	-----------------	---------------	-----------------	-----------------

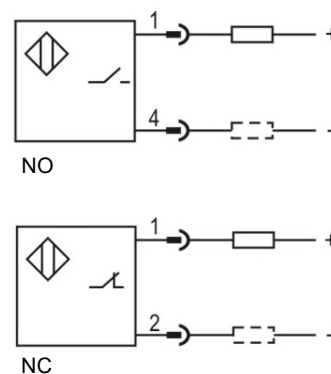
Technical specifications

Mounting	Flush	Non-flush	Leakage current [I _r]	≤1mA	
Rated distance [S _n]	40mm	50mm	Circuit protection	Reverse polarity protection	
Assured distance [S _a]	0...32mm	0...40mm	Output indicator	Yellow LED	
Dimensions	40*80 *98 mm		Ambient temperature	-25°C...70°C	
Output	NO/NC(depends on part number)		Ambient humidity	35-95%RH	
Supply voltage	10...30 VDC		Switching frequency [F]	80 Hz	40 Hz
Standard target	Fe 120*120*1t	Fe 150*150*1t	Voltage withstand	1000V/AC 50/60Hz 60s	
Switch-point drifts [%/Sr]	≤±10%		Insulation resistance	≥50MΩ (500VDC)	
Hysteresis range [%/Sr]	1...20%		Vibration resistance	10...50Hz (1.5mm)	
Repeat accuracy [R]	≤3%		Degree of protection	IP67	
Load current	≤100mA		Housing material	PBT	
Residual voltage	≤6V		Connection type	Terminal	

Dimensions



Wiring diagram



Plastic square shape inductive sensors **LE80XZ** series



Features

- ◆ Non contact detection, safe and reliable;
- ◆ ASIC design;
- ◆ Perfect choice for metallic target detection;



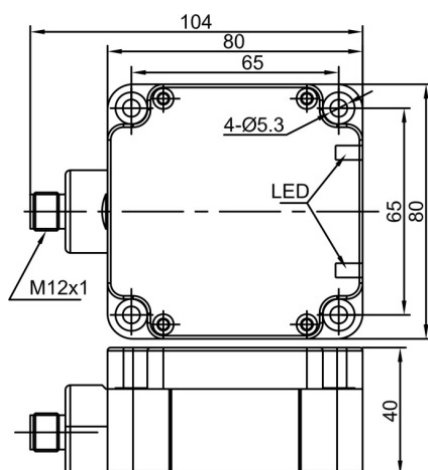
Part number

AC 2 wires NO	LE80XZSF40ATO-E2	LE80XZSN50ATO-E2	AC 2 wires NC	LE80XZSF40ATC-E2	LE80XZSN50ATC-E2
---------------	------------------	------------------	---------------	------------------	------------------

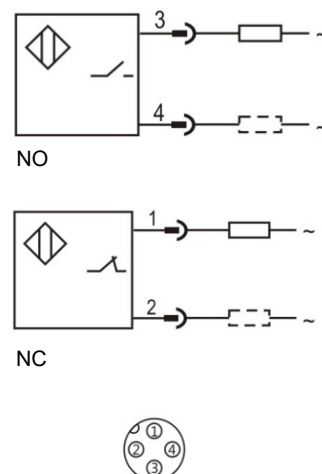
Technical specifications

Mounting	Flush	Non-flush	Leakage current [Ir]	≤3mA	
Rated distance [Sn]	40mm	50mm	Circuit protection	
Assured distance [Sa]	0...32mm	0...40mm	Output indicator	Yellow LED	
Dimensions	40 *80*104 mm		Ambient temperature	-25°C...70°C	
Output	NO/NC(depends on part number)		Ambient humidity	35-95%RH	
Supply voltage	20...250V AC		Switching frequency [F]	10 Hz	10 Hz
Standard target	Fe 120*120*1t	Fe 150*150*1t	Voltage withstand	1000V/AC 50/60Hz 60S	
Switch-point drifts [%/Sr]	≤ ± 10%		Insulation resistance	≥50MΩ (500VDC)	
Hysteresis range [%/Sr]	1...20%		Vibration resistance	10...50Hz (1.5mm)	
Repeat accuracy [R]	≤3%		Degree of protection	IP67	
Load current	≤300mA		Housing material	PBT	
Residual voltage	≤10V		Connection type	M12 connector	

Dimensions



Wiring diagram



Plastic square shape inductive sensors **LE80XZ** series



Features

- ◆ Non contact detection, safe and reliable;
- ◆ ASIC design;
- ◆ Perfect choice for metallic target detection;



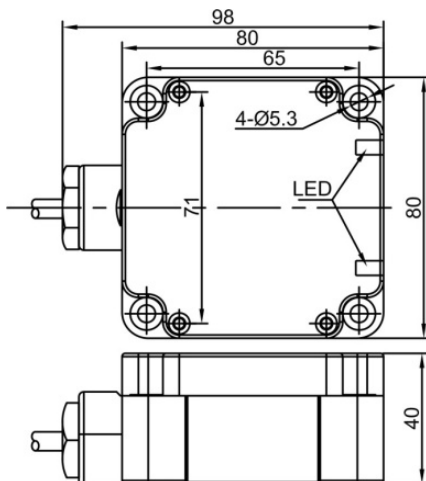
Part number

AC 2 wires NO	LE80XZSF40ATO-D	LE80XZSN50ATO-D	AC 2 wires NC	LE80XZSF40ATC-D	LE80XZSN50ATC-D
---------------	-----------------	-----------------	---------------	-----------------	-----------------

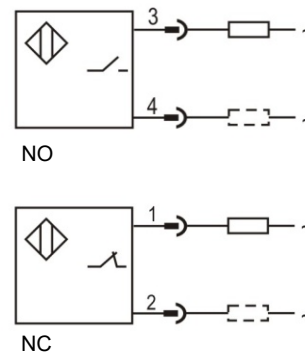
Technical specifications

Mounting	Flush	Non-flush	Leakage current [Ir]	≤3mA
Rated distance [Sn]	40mm	50mm	Circuit protection
Assured distance [Sa]	0...32mm	0...40mm	Output indicator	Yellow LED
Dimensions	40*80*98 mm		Ambient temperature	-25°C...70°C
Output	NO/NC(depends on part number)		Ambient humidity	35-95%RH
Supply voltage	20...250V AC		Switching frequency [F]	10 Hz 10 Hz
Standard target	Fe 120*120*1t	Fe 150*150*1t	Voltage withstand	1000V/AC 50/60Hz 60S
Switch-point drifts [%/Sr]	≤ ± 10%		Insulation resistance	≥50MΩ (500VDC)
Hysteresis range [%/Sr]	1...20%		Vibration resistance	10...50Hz (1.5mm)
Repeat accuracy [R]	≤3%		Degree of protection	IP67
Load current	≤300mA		Housing material	PBT
Residual voltage	≤10V		Connection type	Terminal

Dimensions



Wiring diagram



Plastic square shape inductive sensors **LE80XZ** series



Features

- ◆ Non contact detection, safe and reliable;
- ◆ ASIC design;
- ◆ Perfect choice for metallic targets detection;



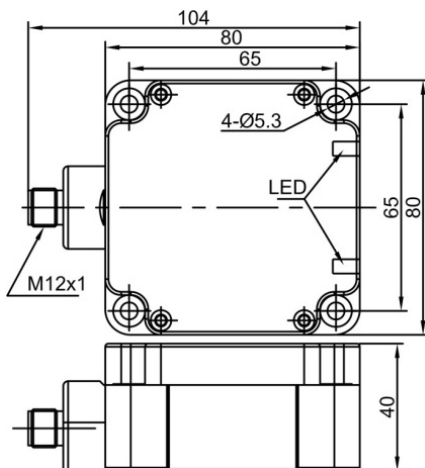
Part number

AC/DC 2 wires NO	LE80XZSF40SBO-E2	LE80XZSN50SBO-E2	AC/DC 2 wires NO/NC	LE80XZSF40SBB-E2	LE80XZSN50SBB-E2
AC/DC 2 wires NC	LE80XZSF40SBC-E2	LE80XZSN50SBC-E2			

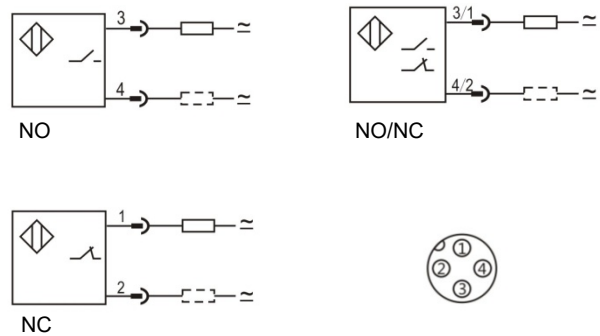
Technical specifications

Mounting	Flush	Non-flush	Leakage current [Ir]	AC: ≤3mA	DC: ≤1mA
Rated distance [Sn]	40mm	50mm	Circuit protection	...	
Assured distance [Sa]	0...32mm	0...40mm	Output indicator	Power: yellow LED	Output: yellow LED
Dimensions	40*80*104 mm		Ambient temperature	-25°C...70°C	
Output	NO/NC(depends on part number)		Ambient humidity	35-95%RH	
Supply voltage	20...250V AC/DC		Switching frequency [F]	AC:20 Hz, DC: 40 Hz	
Standard target	Fe120*120*1t	Fe 150*150*1t	Voltage withstand	1000V/AC 50/60Hz 60s	
Switch-point drifts [%/Sr]	≤ ± 10%		Insulation resistance	≥50MΩ (500VDC)	
Hysteresis range [%/Sr]	1...20%		Vibration resistance	10...50Hz (1.5mm)	
Repeat accuracy [R]	≤3%		Degree of protection	IP67	
Load current	AC: ≤300mA	DC: ≤100mA	Housing material	PBT	
Residual voltage	AC: ≤10V	DC: ≤8V	Connection type	M12 connector	

Dimensions



Wiring diagram



Plastic square shape inductive sensors **LE80XZ** series



Features

- ◆ Non contact detection, safe and reliable;
- ◆ ASIC design;
- ◆ Perfect choice for metallic targets detection;



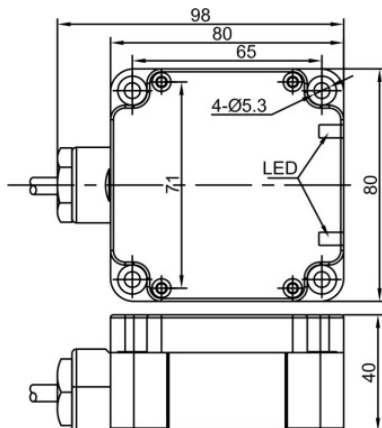
Part number

AC/DC 2 wires NO	LE80XZSF40SBO-D	LE80XZSN50SBO-D	AC/DC 2 wires NO/NC	LE80XZSF40SBB-D	LE80XZSN50SBB-D
AC/DC 2 wires NC	LE80XZSF40SBC-D	LE80XZSN50SBC-D			

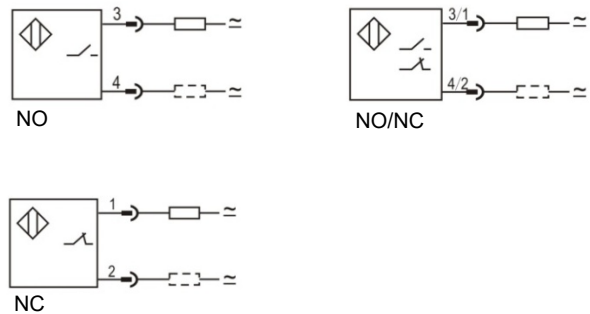
Technical specifications

Mounting	Flush	Non-flush	Leakage current [Ir]	AC: ≤3mA	DC: ≤1mA
Rated distance [Sn]	40mm	50mm	Circuit protection	...	
Assured distance [Sa]	0...32mm	0...40mm	Output indicator	Power: yellow LED	Output: yellow LED
Dimensions	40 *80 *98 mm		Ambient temperature	-25°C...70°C	
Output	NO/NC(depends on part number)		Ambient humidity	35-95%RH	
Supply voltage	20...250V AC/DC		Switching frequency [F]	AC:20 Hz, DC: 40 Hz	
Standard target	Fe120*120*1t	Fe 150*150*1t	Voltage withstand	1000V/AC 50/60Hz 60s	
Switch-point drifts [%/Sr]	≤ ±10%		Insulation resistance	≥50MΩ (500VDC)	
Hysteresis range [%/Sr]	1...20%		Vibration resistance	10...50Hz (1.5mm)	
Repeat accuracy [R]	≤3%		Degree of protection	IP67	
Load current	AC: ≤300mA	DC: ≤100mA	Housing material	PBT	
Residual voltage	AC: ≤10V	DC: ≤8V	Connection type	Terminal	

Dimensions



Wiring diagram



Plastic square shape inductive sensors **LE68** series



Features

- ◆ Non contact detection, safe and reliable;
- ◆ ASIC design;
- ◆ Perfect choice for metallic targets detection;



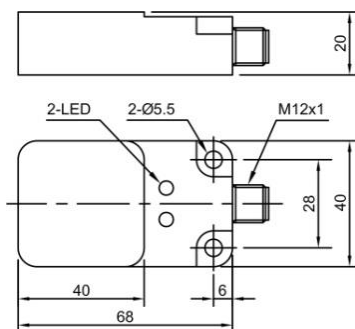
Part number

NPN NO	LE68SF15DNO-E2	LE68SN25DNO-E2	PNP NO	LE68SF15DPO-E2	LE68SN25DPO-E2
NPN NC	LE68SF15DNC-E2	LE68SN25DNC-E2	PNP NC	LE68SF15DPC-E2	LE68SN25DPC-E2
NPN NO+NC	LE68SF15DNR-E2	LE68SN25DNR-E2	PNP NO+NC	LE68SF15DPR-E2	LE68SN25DPR-E2

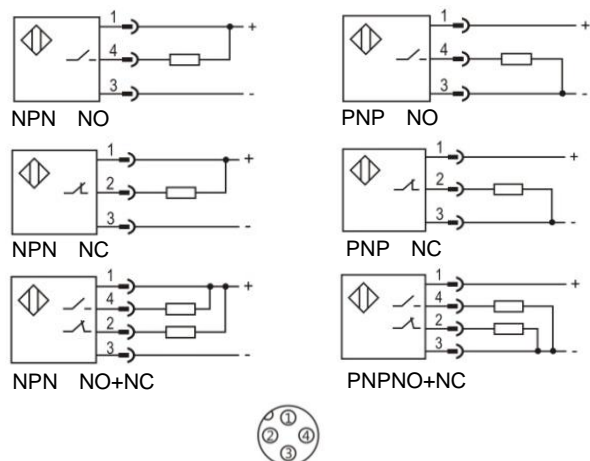
Technical specifications

Mounting	Flush	Non-flush	Current consumption	≤10mA	
Rated distance [Sn]	15mm	25mm	Circuit protection	Short-circuit, overload and reverse polarity	
Assured distance [Sa]	0...12mm	0...20mm	Output indicator	Yellow LED	
Dimensions	20 *40 *68mm		Ambient temperature	-25°C...70°C	
Output	NO/NC (depends on part number)		Ambient humidity	35-95%RH	
Supply voltage	10...30 VDC		Switching frequency [F]	500 Hz	300Hz
Standard target	Fe 45*45*1t	Fe 75*75*1t	Voltage withstand	1000V/AC 50/60Hz 60s	
Switch-point drifts [%/Sr]	≤ ±10%		Insulation resistance	≥50MΩ(500VDC)	
Hysteresis range [%/Sr]	1...20%		Vibration resistance	10...50Hz (1.5mm)	
Repeat accuracy [R]	≤3%		Degree of protection	IP67	
Load current	≤200mA		Housing material	PBT	
Residual voltage	≤2.5V		Connection type	M12 connector	

Dimensions



Wiring diagram



Plastic square shape inductive sensors **LE68** series



Features

- ◆ Non contact detection, safe and reliable;
- ◆ ASIC design;
- ◆ Perfect choice for metallic targets detection;



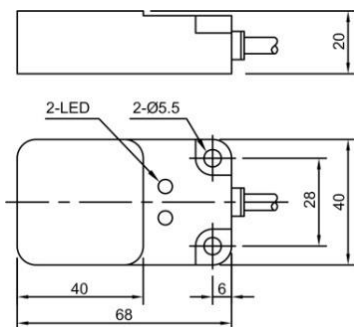
Part number

NPN NO	LE68SF15DNO	LE68SN25DNO	PNP NO	LE68SF15DPO	LE68SN25DPO
NPN NC	LE68SF15DNC	LE68SN25DNC	PNP NC	LE68SF15DPC	LE68SN25DPC
NPN NO+NC	LE68SF15DNR	LE68SN25DNR	PNP NO+NC	LE68SF15DPR	LE68SN25DPR

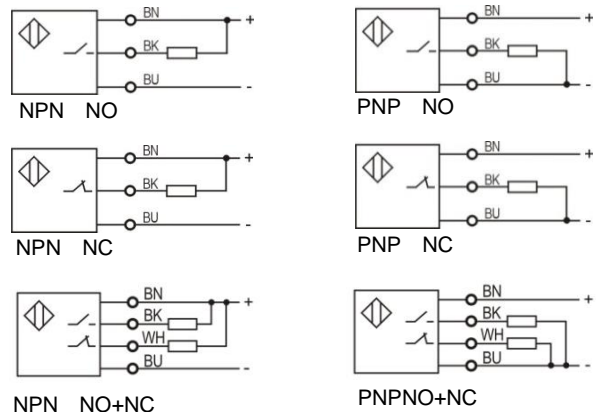
Technical specifications

Mounting	Flush	Non-flush	Current consumption	≤10mA
Rated distance [Sn]	15mm	25mm	Circuit protection	Short-circuit, overload and reverse polarity
Assured distance [Sa]	0...12mm	0...20mm	Output indicator	Yellow LED
Dimensions	20 *40 *68mm		Ambient temperature	-25°C...70°C
Output	NO/NC (depends on part number)		Ambient humidity	35-95%RH
Supply voltage	10...30 VDC		Switching frequency [F]	500 Hz 300Hz
Standard target	Fe 45*45*1t	Fe 75*75*1t	Voltage withstand	1000V/AC 50/60Hz 60s
Switch-point drifts [%/Sr]	≤ ± 10%		Insulation resistance	≥50MΩ(500VDC)
Hysteresis range [%/Sr]	1...20%		Vibration resistance	10...50Hz (1.5mm)
Repeat accuracy [R]	≤3%		Degree of protection	IP67
Load current	≤200mA		Housing material	PBT
Residual voltage	≤2.5V		Connection type	2m PVC cable

Dimensions



Wiring diagram



Plastic square shape inductive sensors **LE68** series



Features

- ◆ Non contact detection, safe and reliable;
- ◆ ASIC design;
- ◆ Perfect choice for metallic targets detection;



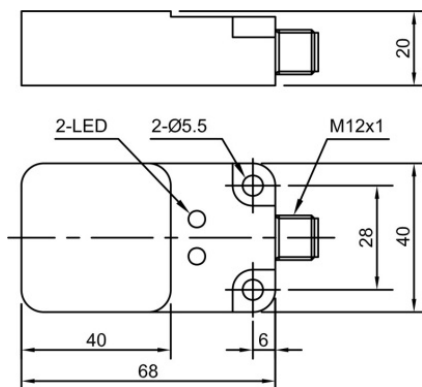
Part number

DC 2 wires NO	LE68SF15DLO-E2	LE68SN25DLO-E2	DC 2 wires NC	LE68SF15DLC-E2	LE68SN25DLC-E2
---------------	----------------	----------------	---------------	----------------	----------------

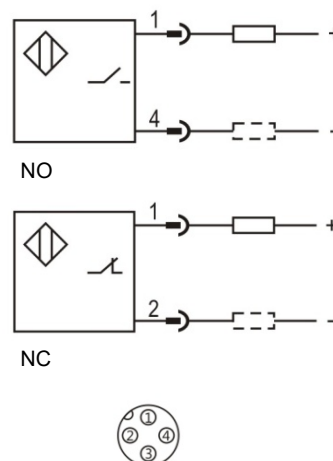
Technical specifications

Mounting	Flush	Non-flush	Leakage current [Ir]	≤1mA	
Rated distance [Sn]	15mm	25mm	Circuit protection	Short-circuit, overload and reverse polarity	
Assured distance [Sa]	0...12mm	0...20mm	Output indicator	Yellow LED	
Dimensions	20 *40 *68mm		Ambient temperature	-25°C...70°C	
Output	NO/NC(depends on part number)		Ambient humidity	35-95%RH	
Supply voltage	10...30 VDC		Switching frequency [F]	500 Hz	300 Hz
Standard target	Fe 45*45*1t	Fe 75*75*1t	Voltage withstand	1000V/AC 50/60Hz 60s	
Switch-point drifts [%/Sr]	≤ ± 10%		Insulation resistance	≥50MΩ (500VDC)	
Hysteresis range [%/Sr]	1...20%		Vibration resistance	10...50Hz (1.5mm)	
Repeat accuracy [R]	≤3%		Degree of protection	IP67	
Load current	≤100mA		Housing material	PBT	
Residual voltage	≤6V		Connection type	M12 connector	

Dimensions



Wiring diagram



Plastic square shape inductive sensors **LE68** series



Features

- ◆ Non contact detection, safe and reliable;
- ◆ ASIC design;
- ◆ Perfect choice for metallic targets detection;



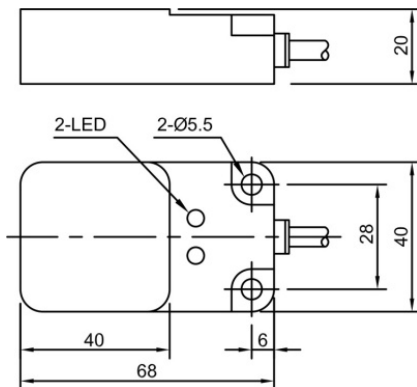
Part number

DC 2 wires NO	LE68SF15DLO	LE68SN25DLO	DC 2 wires NC	LE68SF15DLC	LE68SN25DLC
---------------	-------------	-------------	---------------	-------------	-------------

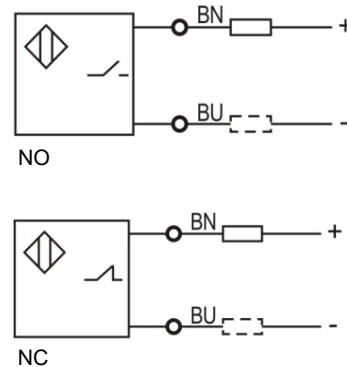
Technical specifications

Mounting	Flush	Non-flush	Leakage current [Ir]	≤1mA	
Rated distance [Sn]	15mm	25mm	Circuit protection	Short-circuit, overload and reverse polarity	
Assured distance [Sa]	0...12mm	0...20mm	Output indicator	Yellow LED	
Dimensions	20*40*68mm		Ambient temperature	-25°C...70°C	
Output	NO/NC(depends on part number)		Ambient humidity	35-95%RH	
Supply voltage	10...30 VDC		Switching frequency [F]	500 Hz	300 Hz
Standard target	Fe 45*45*1t	Fe 75*75*1t	Voltage withstand	1000V/AC 50/60Hz 60s	
Switch-point drifts [%/Sr]	≤ ± 10%		Insulation resistance	≥50MΩ (500VDC)	
Hysteresis range [%/Sr]	1...20%		Vibration resistance	10...50Hz (1.5mm)	
Repeat accuracy [R]	≤3%		Degree of protection	IP67	
Load current	≤100mA		Housing material	PBT	
Residual voltage	≤6V		Connection type	2m PVC cable	

Dimensions



Wiring diagram



Plastic square shape inductive sensors **LE68** series



Features

- ◆ Non contact detection, safe and reliable;
- ◆ ASIC design;
- ◆ Perfect choice for metallic targets detection;



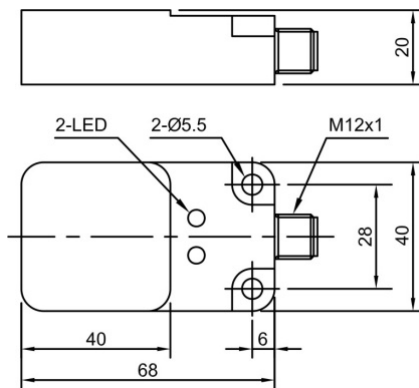
Part number

AC 2 wires NO	LE68SF15ATO-E2	LE68SN25ATO-E2	AC 2 wires NC	LE68SF15ATC-E2	LE68SN25ATC-E2
---------------	----------------	----------------	---------------	----------------	----------------

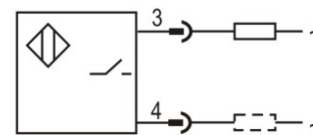
Technical specifications

Mounting	Flush	Non-flush	Leakage current [Ir]	≤3mA
Rated distance [Sn]	15mm	25mm	Circuit protection
Assured distance [Sa]	0...12mm	0...20mm	Output indicator	Yellow LED
Dimensions	20*40 *68mm		Ambient temperature	-25°C...70°C
Output	NO/NC(depends on part number)		Ambient humidity	35-95%RH
Supply voltage	20...250V AC		Switching frequency [F]	20 Hz 20 Hz
Standard target	Fe 45*45*1t	Fe 75*75*1t	Voltage withstand	1000V/AC 50/60Hz 60S
Switch-point drifts [%/Sr]	≤ ± 10%		Insulation resistance	≥50MΩ (500VDC)
Hysteresis range [%/Sr]	1...20%		Vibration resistance	10...50Hz (1.5mm)
Repeat accuracy [R]	≤3%		Degree of protection	IP67
Load current	≤300mA		Housing material	PBT
Residual voltage	≤10V		Connection type	M12 connector

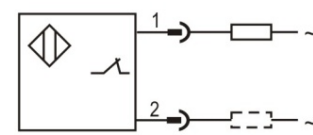
Dimensions



Wiring diagram



NO



NC



Plastic square shape inductive sensors **LE68** series



Features

- ◆ Non contact detection, safe and reliable;
- ◆ ASIC design;
- ◆ Perfect choice for metallic target detection;



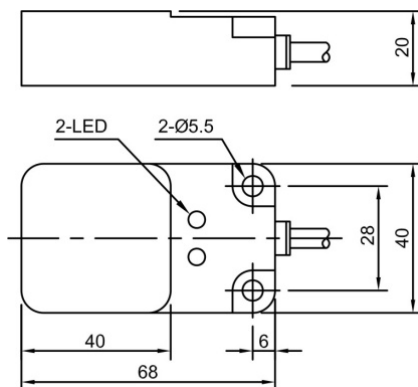
Part number

AC 2 wires NO	LE68SF15ATO	LE68SN25ATO	AC 2 wires NC	LE68SF15ATC	LE68SN25ATC
---------------	-------------	-------------	---------------	-------------	-------------

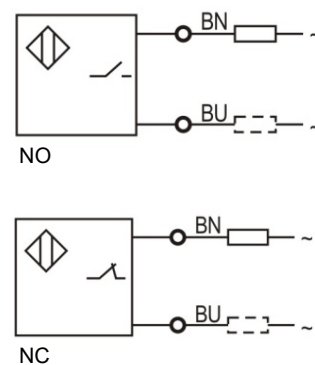
Technical specifications

Mounting	Flush	Non-flush	Leakage current [Ir]	≤3mA
Rated distance [Sn]	15mm	25mm	Circuit protection
Assured distance [Sa]	0...12mm	0...20mm	Output indicator	Yellow LED
Dimensions	20 *40*68mm		Ambient temperature	-25°C...70°C
Output	NO/NC(depends on part number)		Ambient humidity	35-95%RH
Supply voltage	20...250V AC		Switching frequency [F]	20 Hz 20 Hz
Standard target	Fe 45*45*1t	Fe 75*75*1t	Voltage withstand	1000V/AC 50/60Hz 60S
Switch-point drifts [%/Sr]	≤ ± 10%		Insulation resistance	≥50MΩ (500VDC)
Hysteresis range [%/Sr]	1...20%		Vibration resistance	10...50Hz (1.5mm)
Repeat accuracy [R]	≤3%		Degree of protection	IP67
Load current	≤300mA		Housing material	PBT
Residual voltage	≤10V		Connection type	2m PVC cable

Dimensions



Wiring diagram



Plastic square shape inductive sensors **LE50** series



Features

- ◆ Non contact detection, safe and reliable;
- ◆ ASIC design;
- ◆ Perfect choice for metallic targets detection;



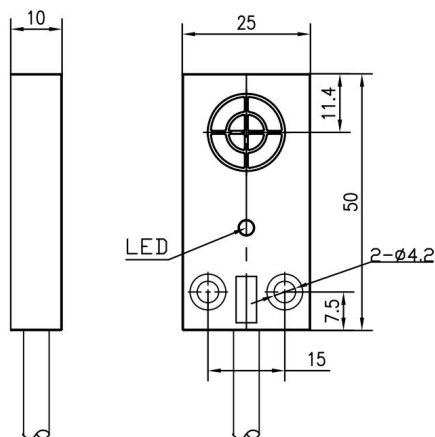
Part number

NPN NO	LE50SF05DNO	LE50SN08DNO	PNP NO	LE50SF05DPO	LE50SN08DPO
NPN NC	LE50SF05DNC	LE50SN08DNC	PNP NC	LE50SF05DPC	LE50SN08DPC

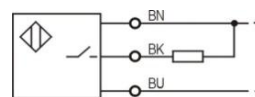
Technical specifications

Mounting	Flush	Non-flush	Current consumption	≤10mA	
Rated distance [Sn]	5mm	8mm	Circuit protection	Short-circuit, overload and reverse polarity	
Assured distance [Sa]	0...4mm	0...6.4mm	Output indicator	Yellow LED	
Dimensions	10 *25 *50 mm		Ambient temperature	-25°C...70°C	
Output	NO/NC(depends on part number)		Ambient humidity	35-95%RH	
Supply voltage	10...30 VDC		Switching frequency [F]	700 Hz	500Hz
Standard target	Fe 25*25*1t	Fe 25*25*1t	Voltage withstand	1000V/AC 50/60Hz 60s	
Switch-point drifts [%/Sr]	≤ ± 10%		Insulation resistance	≥50MΩ(500VDC)	
Hysteresis range [%/Sr]	1...20%		Vibration resistance	10...50Hz (1.5mm)	
Repeat accuracy [R]	≤3%		Degree of protection	IP67	
Load current	≤200mA		Housing material	PBT	
Residual voltage	≤2.5V		Connection type	2m PVC cable	

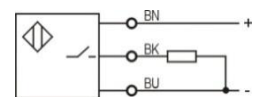
Dimensions



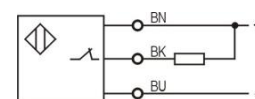
Wiring diagram



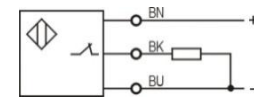
NPN NO



PNP NO



NPN NC



PNP NC

Plastic square inductive sensor LE50 series



Feature description

- Non contact detection, safe and reliable
- ASIC design



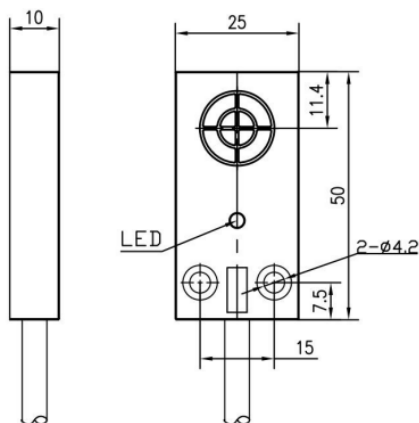
Model specification

AC 2 wires NO	LE50SF05ATO	LE50SN08ATO	AC 2 wires NC	LE50SF05ATC	LE50SN08ATC
---------------	-------------	-------------	---------------	-------------	-------------

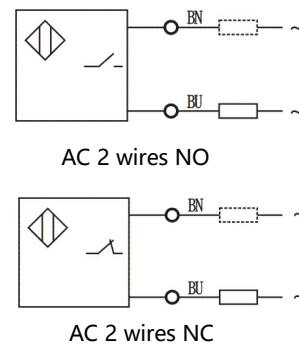
Specifications

Installation type	Flush	Non-flush	Protection circuit	Surge protection
Rated distance	5mm	8mm	Output indication	Yellow LED
Ensure distance	0...4mm	0...6.4mm	Ambient temperature	-25°C...70°C
Shape specification	25 *50 *10mm		Environment humidity	35...95%RH
Output type	NO/NC(Depending on model)		Switching frequency	20Hz
Supply voltage	20...250 VAC		Impact withstand voltage	1000V/AC 50/60Hz 60s
Standard target	Fe 20*20*1t	Fe 25*25*1t	Insulation resistance	≥50MΩ(500VDC)
Switch point offset	≤±10%		Vibration resistance	Complex amplitude 1.5mm 10...50Hz
Hysteresis range	1...15%			(each in X, Y, and Z directions)
Repetitive error	≤3%		Protection degree	IP67
Load current	≤300mA		Housing material	PBT
Residual voltage	≤10V		Connection type	2m PVC cable
Consumption current	≤3mA			

Dimensions



Wiring diagram



Plastic square shape inductive sensors **LE40XZ** series


Features

- ◆ Non contact detection, safe and reliable;
- ◆ ASIC design;
- ◆ Perfect choice for metallic targets detection;



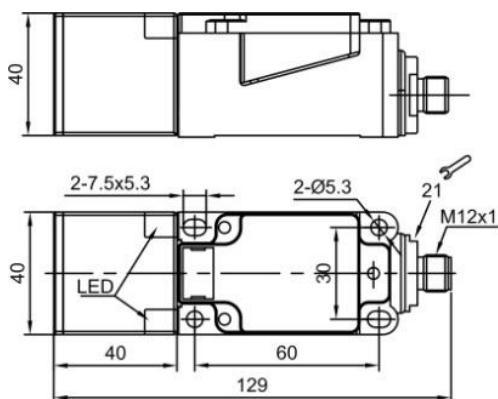
Part number

NPN NO	LE40XZSF15DNO-E2	LE40XZSN20DNO-E2	PNP NO	LE40XZSF15DPO-E2	LE40XZSN20DPO-E2
NPN NC	LE40XZSF15DNC-E2	LE40XZSN20DNC-E2	PNP NC	LE40XZSF15DPC-E2	LE40XZSN20DPC-E2
NPN NO+NC	LE40XZSF15DNR-E2	LE40XZSN20DNR-E2	PNP NO+NC	LE40XZSF15DPR-E2	LE40XZSN20DPR-E2

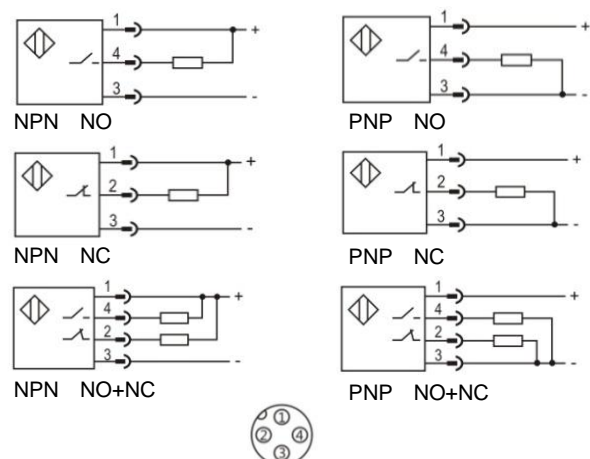
Technical specifications

Mounting	Flush	Non-flush	Current consumption	≤10mA	
Rated distance [Sn]	15mm	20mm	Circuit protection	Short-circuit, overload and reverse polarity	
Assured distance [Sa]	0...12mm	0...16mm	Output indicator	Yellow LED	
Dimensions	40 *40 *129 mm		Ambient temperature	-25°C...70°C	
Output	NO/NC (depends on part number)		Ambient humidity	35-95%RH	
Supply voltage	10...30 VDC		Switching frequency [F]	500 Hz	300 Hz
Standard target	Fe 45*45*1t	Fe 60*60*1t	Voltage withstand	1000V/AC 50/60Hz 60s	
Switch-point drifts [%/Sr]	≤ ±10%		Insulation resistance	≥50MΩ(500VDC)	
Hysteresis range [%/Sr]	1...20%		Vibration resistance	10...50Hz (1.5mm)	
Repeat accuracy [R]	≤3%		Degree of protection	IP67	
Load current	≤200mA		Housing material	PBT	
Residual voltage	≤2.5V		Connection type	M12 connector	

Dimensions



Wiring diagram



Plastic square shape inductive sensors **LE40XZ** series



Features

- ◆ Non contact detection, safe and reliable;
- ◆ ASIC design;
- ◆ Perfect choice for metallic targets detection;



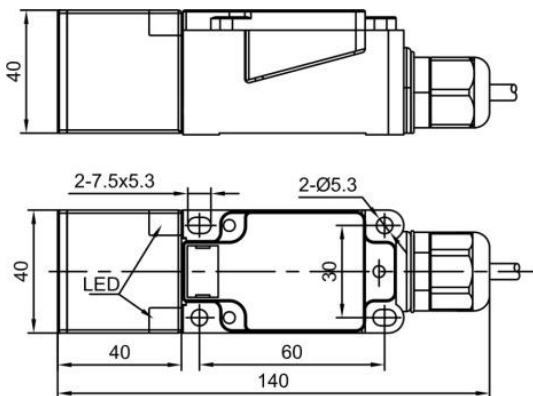
Part number

NPN NO	LE40XZSF15DNO-D	LE40XZSN20DNO-D	PNP NO	LE40XZSF15DPO-D	LE40XZSN20DPO-D
NPN NC	LE40XZSF15DNC-D	LE40XZSN20DNC-D	PNP NC	LE40XZSF15DPC-D	LE40XZSN20DPC-D
NPN NO+NC	LE40XZSF15DNR-D	LE40XZSN20DNR-D	PNP NO+NC	LE40XZSF15DPR-D	LE40XZSN20DPR-D

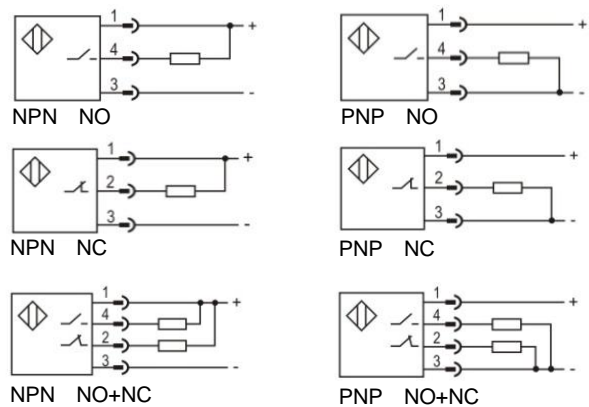
Technical specifications

Mounting	Flush	Non-flush	Current consumption	≤10mA	
Rated distance [Sn]	15mm	20mm	Circuit protection	Short-circuit, overload and reverse polarity	
Assured distance [Sa]	0...12mm	0...16mm	Output indicator	Yellow LED	
Dimensions	40 *40 *140 mm		Ambient temperature	-25°C...70°C	
Output	NO/NC (depends on part number)		Ambient humidity	35-95%RH	
Supply voltage	10...30 VDC		Switching frequency [F]	500 Hz	300 Hz
Standard target	Fe 45*45*1t	Fe 60*60*1t	Voltage withstand	1000V/AC 50/60Hz 60s	
Switch-point drifts [%/Sr]	≤ ±10%		Insulation resistance	≥50MΩ(500VDC)	
Hysteresis range [%/Sr]	1...20%		Vibration resistance	10...50Hz (1.5mm)	
Repeat accuracy [R]	≤3%		Degree of protection	IP67	
Load current	≤200mA		Housing material	PBT	
Residual voltage	≤2.5V		Connection type	Terminal	

Dimensions



Wiring diagram



Plastic square shape inductive sensors **LE40XZ** series



Features

- ◆ Non contact detection, safe and reliable;
- ◆ ASIC design;
- ◆ Perfect choice for metallic targets detection;



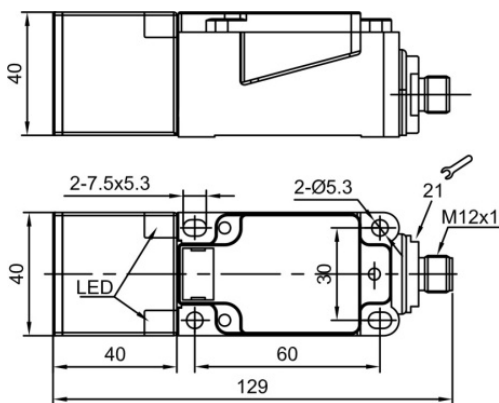
Part number

DC 2 wires NO	LE40XZSF15DLO-E2	LE40XZSN20DLO-E2	DC 2 wires NC	LE40XZSF15DLC-E2	LE40XZSN20DLC-E2
---------------	------------------	------------------	---------------	------------------	------------------

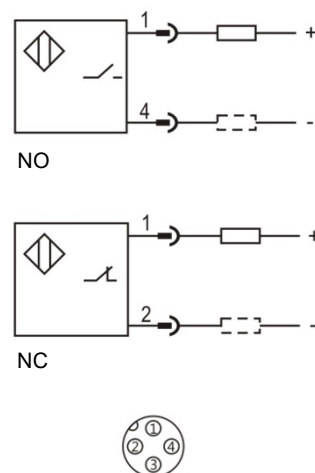
Technical specifications

Mounting	Flush	Non-flush	Leakage current [Ir]	≤1mA	
Rated distance [Sn]	15mm	20mm	Circuit protection	Short-circuit, overload and reverse polarity	
Assured distance [Sa]	0...12mm	0...16mm	Output indicator	Yellow LED	
Dimensions	40 *40 *129 mm		Ambient temperature	-25°C...70°C	
Output	NO/NC(depends on part number)		Ambient humidity	35-95%RH	
Supply voltage	10...30 VDC		Switching frequency [F]	500 Hz	300 Hz
Standard target	Fe 45*45*1t	Fe 60*60*1t	Voltage withstand	1000V/AC 50/60Hz 60s	
Switch-point drifts [%/Sr]	≤ ± 10%		Insulation resistance	≥50MΩ (500VDC)	
Hysteresis range [%/Sr]	1...20%		Vibration resistance	10...50Hz (1.5mm)	
Repeat accuracy [R]	≤3%		Degree of protection	IP67	
Load current	≤100mA		Housing material	PBT	
Residual voltage	≤6V		Connection type	M12 connector	

Dimensions



Wiring diagram



Plastic square shape inductive sensors **LE40XZ** series



Features

- ◆ Non contact detection, safe and reliable;
- ◆ ASIC design;
- ◆ Perfect choice for metallic targets detection;



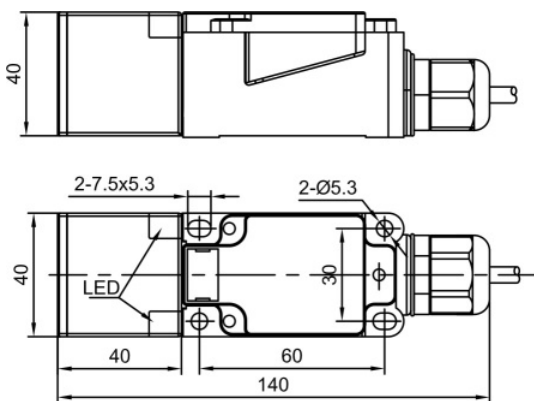
Part number

DC 2 wires NO	LE40XZSF15DLO-D	LE40XZSN20DLO-D	DC 2 wires NC	LE40XZSF15DLC-D	LE40XZSN20DLC-D
---------------	-----------------	-----------------	---------------	-----------------	-----------------

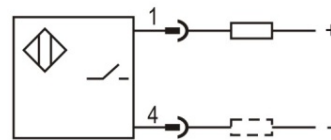
Technical specifications

Mounting	Flush	Non-flush	Leakage current [Ir]	≤1mA	
Rated distance [Sn]	15mm	20mm	Circuit protection	Short-circuit, overload and reverse polarity	
Assured distance [Sa]	0...12mm	0...16mm	Output indicator	Yellow LED	
Dimensions	40 *40 *140 mm		Ambient temperature	-25°C...70°C	
Output	NO/NC(depends on part number)		Ambient humidity	35-95%RH	
Supply voltage	10...30 VDC		Switching frequency [F]	500 Hz	300 Hz
Standard target	Fe 45*45*1t	Fe 60*60*1t	Voltage withstand	1000V/AC 50/60Hz 60s	
Switch-point drifts [%/Sr]	≤ ± 10%		Insulation resistance	≥50MΩ (500VDC)	
Hysteresis range [%/Sr]	1...20%		Vibration resistance	10...50Hz (1.5mm)	
Repeat accuracy [R]	≤3%		Degree of protection	IP67	
Load current	≤100mA		Housing material	PBT	
Residual voltage	≤6V		Connection type	Terminal	

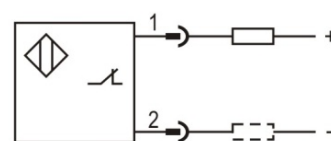
Dimensions



Wiring diagram



NO



NC

Plastic square shape inductive sensors **LE40XZ** series



Features

- ◆ Non contact detection, safe and reliable;
- ◆ ASIC design;
- ◆ Perfect choice for metallic target detection.



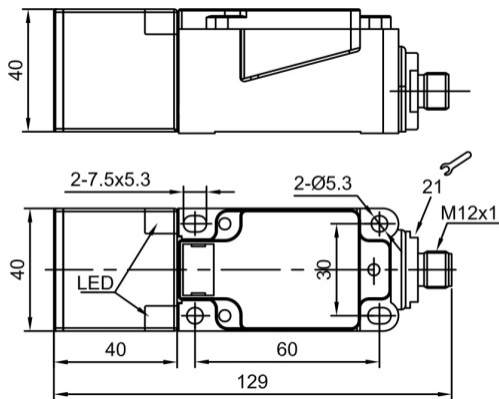
Part number

AC 2 wires NO	LE40XZSF15ATO-E2	LE40XZSN20ATO-E2	AC 2 wires NC	LE40XZSF15ATC-E2	LE40XZSN20ATC-E2
---------------	------------------	------------------	---------------	------------------	------------------

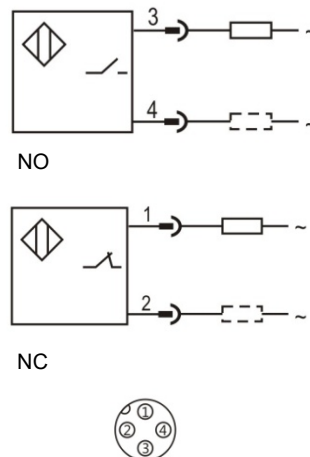
Technical specifications

Mounting	Flush	Non-flush	Leakage current [Ir]	≤3mA
Rated distance [Sn]	15mm	20mm	Circuit protection	...
Assured distance [Sa]	0...12mm	0...16mm	Output indicator	Yellow LED
Dimensions	40 *40*129 mm		Ambient temperature	-25°C...70°C
Output	NO/NC(depends on part number)		Ambient humidity	35-95%RH
Supply voltage	20...250V AC		Switching frequency [F]	20 Hz 20 Hz
Standard target	Fe 45*45*1t	Fe 60*60*1t	Voltage withstand	1000V/AC 50/60Hz 60S
Switch-point drifts [%/Sr]	≤ ± 10%		Insulation resistance	≥50MΩ (500VDC)
Hysteresis range [%/Sr]	1...20%		Vibration resistance	10...50Hz (1.5mm)
Repeat accuracy [R]	≤3%		Degree of protection	IP67
Load current	≤300mA		Housing material	PBT
Residual voltage	≤10V		Connection type	M12 connector

Dimensions



Wiring diagram



Plastic square shape inductive sensors **LE40XZ** series



Features

- ◆ Non contact detection, safe and reliable;
- ◆ ASIC design;
- ◆ Perfect choice for metallic target detection.



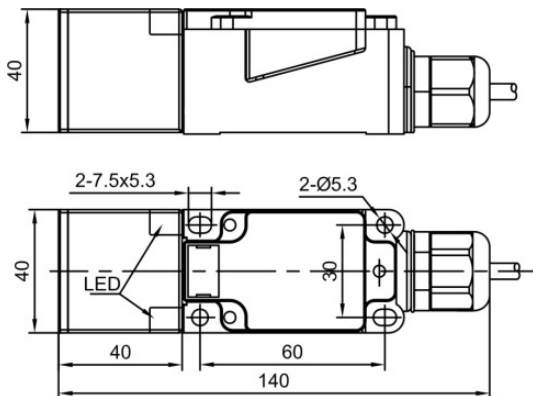
Part number

AC 2 wires NO	LE40XZSF15ATO-D	LE40XZSN20ATO-D	AC 2 wires NC	LE40XZSF15ATC-D	LE40XZSN20ATC-D
---------------	-----------------	-----------------	---------------	-----------------	-----------------

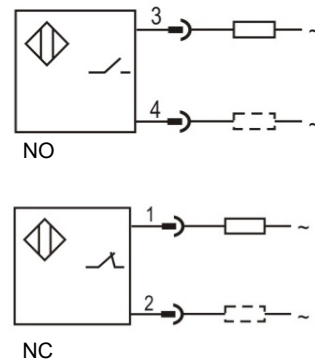
Technical specifications

Mounting	Flush	Non-flush	Leakage current [Ir]	≤3mA
Rated distance [Sn]	15mm	20mm	Circuit protection
Assured distance [Sa]	0...12mm	0...16mm	Output indicator	Yellow LED
Dimensions	40 *40*140 mm		Ambient temperature	-25°C...70°C
Output	NO/NC(depends on part number)		Ambient humidity	35-95%RH
Supply voltage	20...250V AC		Switching frequency [F]	20 Hz 20 Hz
Standard target	Fe 45*45*1t	Fe 60*60*1t	Voltage withstand	1000V/AC 50/60Hz 60S
Switch-point drifts [%/Sr]	≤ ± 10%		Insulation resistance	≥50MΩ (500VDC)
Hysteresis range [%/Sr]	1...20%		Vibration resistance	10...50Hz (1.5mm)
Repeat accuracy [R]	≤3%		Degree of protection	IP67
Load current	≤300mA		Housing material	PBT
Residual voltage	≤10V		Connection type	Terminal

Dimensions



Wiring diagram



Plastic square shape inductive sensors **LE40XZ** series


Features

- ◆ Non contact detection, safe and reliable;
- ◆ ASIC design;
- ◆ Perfect choice for metallic target detection;



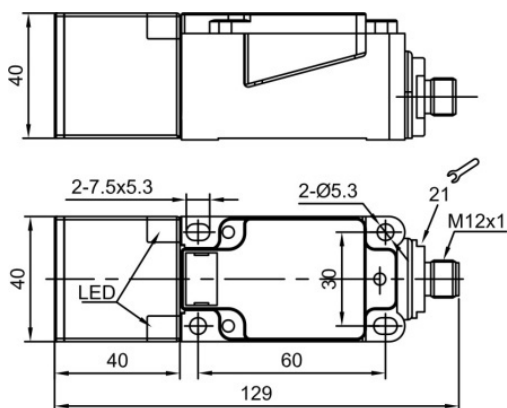
Part number

AC/DC 2 wires NO	LE40XZSF15SBO-E2	LE40XZSN20SBO-E2	AC/DC 2 wires NO/NC	LE40XZSF15SBB-E2	LE40XZSN20SBB-E2
AC/DC 2 wires NC	LE40XZSF15SBC-E2	LE40XZSN20SBC-E2			

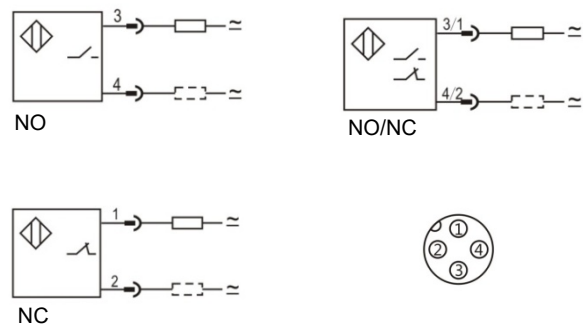
Technical specifications

Mounting	Flush	Non-flush	Leakage current [Ir]	AC: ≤3mA	DC: ≤1mA
Rated distance [Sn]	15mm	20mm	Circuit protection	...	
Assured distance [Sa]	0...12mm	0...16mm	Output indicator	Power: yellow LED	Output: yellow LED
Dimensions	40*40 *129 mm		Ambient temperature	-25°C...70°C	
Output	NO/NC(depends on part number)		Ambient humidity	35-95%RH	
Supply voltage	20...250V AC/DC		Switching frequency [F]	AC:20 Hz, DC: 100 Hz	
Standard target	Fe 45*45*1t	Fe 60*60*1t	Voltage withstand	1000V/AC 50/60Hz 60s	
Switch-point drifts [%/Sr]	≤ ± 10%		Insulation resistance	≥50MΩ (500VDC)	
Hysteresis range [%/Sr]	1...20%		Vibration resistance	10...50Hz (1.5mm)	
Repeat accuracy [R]	≤3%		Degree of protection	IP67	
Load current	AC: ≤300mA	DC: ≤100mA	Housing material	PBT	
Residual voltage	AC: ≤10V	DC: ≤8V	Connection type	M12 connector	

Dimensions



Wiring diagram



Plastic square shape inductive sensors **LE40XZ** series



Features

- ◆ Non contact detection, safe and reliable;
- ◆ ASIC design;
- ◆ Perfect choice for metallic target detection;
- ◆ Full range specifications optional.



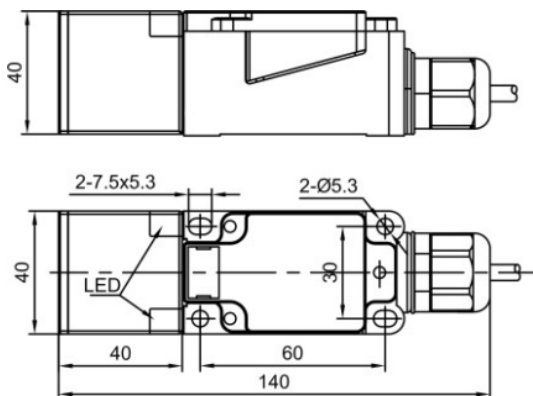
Part number

AC/DC 2 wires NO	LE40XZSF15SBO-D	LE40XZSN20SBO-D	AC/DC 2 wires NO/NC	LE40XZSF15SBB-D	LE40XZSN20SBB-D
AC/DC 2 wires NC	LE40XZSF15SBC-D	LE40XZSN20SBC-D			

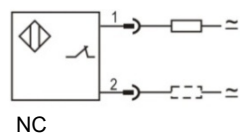
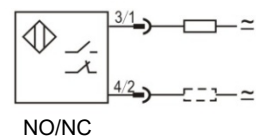
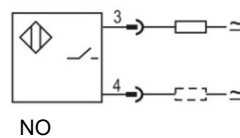
Technical specifications

Mounting	Flush	Non-flush	Leakage current [Ir]	AC: ≤3mA	DC: ≤1mA
Rated distance [Sn]	15mm	20mm	Circuit protection	...	
Assured distance [Sa]	0...12mm	0...16mm	Output indicator	Power: yellow LED	Output: yellow LED
Dimensions	40*40*140 mm		Ambient temperature	-25°C...70°C	
Output	NO/NC(depends on part number)		Ambient humidity	35-95%RH	
Supply voltage	20...250V AC/DC		Switching frequency [F]	AC:20 Hz, DC: 100 Hz	
Standard target	Fe 45*45*1t	Fe 60*60*1t	Voltage withstand	1000V/AC 50/60Hz 60s	
Switch-point drifts [%/Sr]	≤ ± 10%		Insulation resistance	≥50MΩ (500VDC)	
Hysteresis range [%/Sr]	1...20%		Vibration resistance	10...50Hz (1.5mm)	
Repeat accuracy [R]	≤3%		Degree of protection	IP67	
Load current	AC: ≤300mA	DC: ≤100mA	Housing material	PBT	
Residual voltage	AC: ≤10V	DC: ≤8V	Connection type	Terminal	

Dimensions



Wiring diagram



Plastic square shape inductive sensors **LE40SZ** series



Features

- ◆ Non contact detection, safe and reliable;
- ◆ ASIC design;
- ◆ Perfect choice for metallic targets detection.



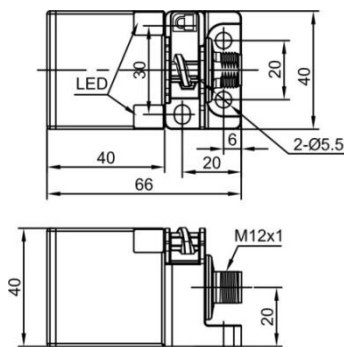
Part number

NPN NO	LE40SZSF15DNO-E2	LE40SZSN20DNO-E2	PNP NO	LE40SZSF15DPO-E2	LE40SZSN20DPO-E2
NPN NC	LE40SZSF15DNC-E2	LE40SZSN20DNC-E2	PNP NC	LE40SZSF15DPC-E2	LE40SZSN20DPC-E2
NPN NO+NC	LE40SZSF15DNR-E2	LE40SZSN20DNR-E2	PNP NO+NC	LE40SZSF15DPR-E2	LE40SZSN20DPR-E2

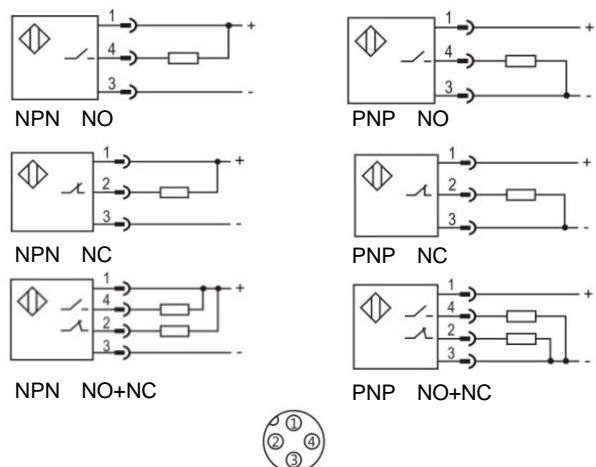
Technical specifications

Mounting	Flush	Non-flush	Current consumption	≤10mA	
Rated distance [Sn]	15mm	20mm	Circuit protection	Short-circuit, overload and reverse polarity	
Assured distance [Sa]	0...12mm	0...16mm	Output indicator	Yellow LED	
Dimensions	40 *40 *66 mm		Ambient temperature	-25°C...70°C	
Output	NO/NC (depends on part number)		Ambient humidity	35-95%RH	
Supply voltage	10...30 VDC		Switching frequency [F]	500 Hz	300 Hz
Standard target	Fe 45*45*1t	Fe 60*60*1t	Voltage withstand	1000V/AC 50/60Hz 60s	
Switch-point drifts [%/Sr]	≤ ±10%		Insulation resistance	≥50MΩ(500VDC)	
Hysteresis range [%/Sr]	1...20%		Vibration resistance	10...50Hz (1.5mm)	
Repeat accuracy [R]	≤3%		Degree of protection	IP67	
Load current	≤200mA		Housing material	PBT	
Residual voltage	≤2.5V		Connection type	M12 connector	

Dimensions



Wiring diagram



Plastic square shape inductive sensors **LE40SZ** series



Features

- ◆ Non contact detection, safe and reliable;
- ◆ ASIC design;
- ◆ Perfect choice for metallic targets detection.



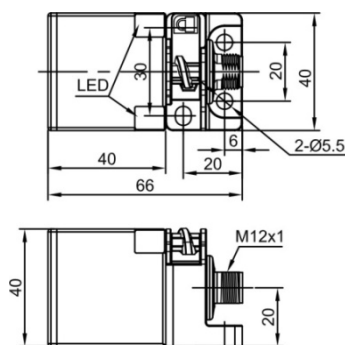
Part number

DC 2 wires NO LE40SZSF15DLO-E2 LE40SZSN20DLO-E2 DC 2 wires NC LE40SZSF15DLC-E2 LE40SZSN20DLC-E2

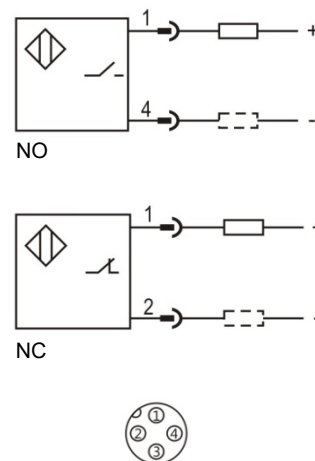
Technical specifications

Mounting	Flush	Non-flush	Leakage current [Ir]	≤1mA	
Rated distance [Sn]	15mm	20mm	Circuit protection	Short-circuit, overload and reverse polarity	
Assured distance [Sa]	0...12mm	0...16mm	Output indicator	Yellow LED	
Dimensions	40 *40 *66mm		Ambient temperature	-25°C...70°C	
Output	NO/NC (depends on part number)		Ambient humidity	35-95%RH	
Supply voltage	10...30 VDC		Switching frequency [F]	500 Hz	300 Hz
Standard target	Fe 45*45*1t	Fe 60*60*1t	Voltage withstand	1000V/AC 50/60Hz 60s	
Switch-point drifts [%/Sr]	≤ ± 10%		Insulation resistance	≥50MΩ (500VDC)	
Hysteresis range [%/Sr]	1...20%		Vibration resistance	10...50Hz (1.5mm)	
Repeat accuracy [R]	≤3%		Degree of protection	IP67	
Load current	≤100mA		Housing material	PBT	
Residual voltage	≤6V		Connection type	M12 connector	

Dimensions



Wiring diagram



Plastic square shape inductive sensors **LE40SZ** series



Features

- ◆ Non contact detection, safe and reliable;
- ◆ ASIC design;
- ◆ Perfect choice for metallic targets detection.



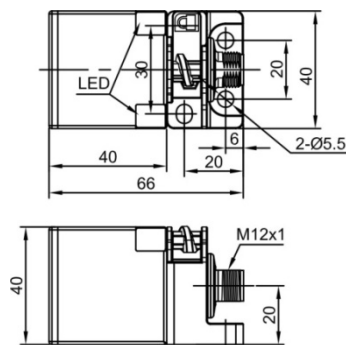
Part number

AC 2 wires NO	LE40SZSF15ATO-E2	LE40SZSN20ATO-E2	AC 2 wires NC	LE40SZSF15ATC-E2	LE40SZSN20ATC-E2
---------------	------------------	------------------	---------------	------------------	------------------

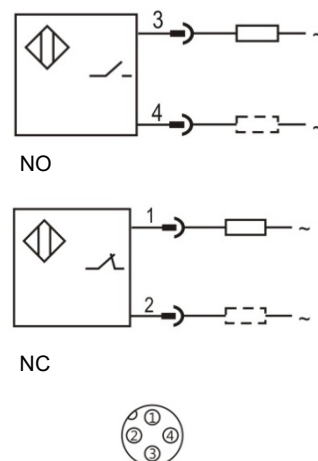
Technical specifications

Mounting	Flush	Non-flush	Leakage current [Ir]	≤3mA
Rated distance [Sn]	15mm	20mm	Circuit protection
Assured distance [Sa]	0...12mm	0...16mm	Output indicator	Yellow LED
Dimensions	40 *40*66mm		Ambient temperature	-25°C...70°C
Output	NO/NC (depends on part number)		Ambient humidity	35-95%RH
Supply voltage	20...250V AC		Switching frequency [F]	20 Hz 20 Hz
Standard target	Fe 45*45*1t	Fe 60*60*1t	Voltage withstand	1000V/AC 50/60Hz 60S
Switch-point drifts [%/Sr]	≤ ± 10%		Insulation resistance	≥50MΩ (500VDC)
Hysteresis range [%/Sr]	1...20%		Vibration resistance	10...50Hz (1.5mm)
Repeat accuracy [R]	≤3%		Degree of protection	IP67
Load current	≤300mA		Housing material	PBT
Residual voltage	≤10V		Connection type	M12 connector

Dimensions



Wiring diagram



Plastic square shape inductive sensors **LE40SZ** series



Features

- ◆ Non contact detection, safe and reliable;
- ◆ ASIC design;
- ◆ Perfect choice for metallic target detection.



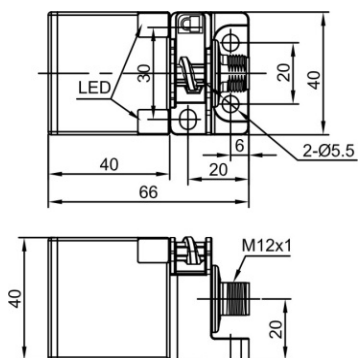
Part number

AC/DC 2 wires NO	LE40SZSF15SBO-E2	LE40SZSN20SBO-E2	AC/DC 2 wires NO/NC	LE40SZSF15SBB-E2	LE40SZSN20SBB-E2
AC/DC 2 wires NC	LE40SZSF15SBC-E2	LE40SZSN20SBC-E2			

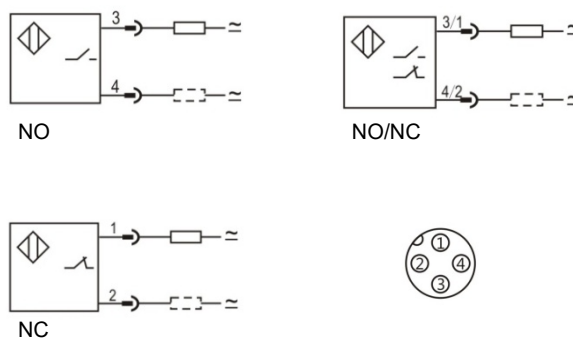
Technical specifications

Mounting	Flush	Non-flush	Leakage current [Ir]	AC: ≤3mA	DC: ≤1mA
Rated distance [Sn]	15mm	20mm	Circuit protection	...	
Assured distance [Sa]	0...12mm	0...16mm	Output indicator	Power: green LED	Output: yellow LED
Dimensions	40*40 *66 mm		Ambient temperature	-25°C...70°C	
Output	NO/NC (depends on part number)		Ambient humidity	35-95%RH	
Supply voltage	20...250V AC/DC		Switching frequency [F]	AC:20 Hz, DC: 100 Hz	
Standard target	Fe 45*45*1t	Fe 60*60*1t	Voltage withstand	1000V/AC 50/60Hz 60s	
Switch-point drifts [%/Sr]	≤ ± 10%		Insulation resistance	≥50MΩ (500VDC)	
Hysteresis range [%/Sr]	1...20%		Vibration resistance	10...50Hz (1.5mm)	
Repeat accuracy [R]	≤3%		Degree of protection	IP67	
Load current	AC: ≤300mA	DC: ≤100mA	Housing material	PBT	
Residual voltage	AC: ≤10V	DC: ≤8V	Connection type	M12 connector	

Dimensions



Wiring diagram



Plastic square shape inductive sensors **LE40** series



Features

- ◆ Non contact detection, safe and reliable;
- ◆ ASIC design;
- ◆ Perfect choice for metallic targets detection.



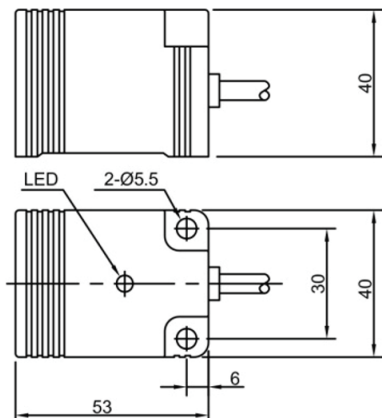
Part number

NPN NO	LE40SF15DNO	LE40SN20DNO	PNP NO	LE40SF15DPO	LE40SN20DPO
NPN NC	LE40SF15DNC	LE40SN20DNC	PNP NC	LE40SF15DPC	LE40SN20DPC
NPN NO+NC	LE40SF15DNR	LE40SN20DNR	PNP NO+NC	LE40SF15DPR	LE40SN20DPR

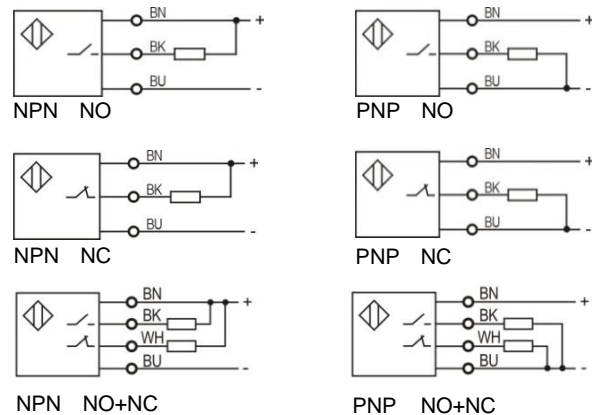
Technical specifications

Mounting	Flush	Non-flush	Current consumption	≤10mA	
Rated distance [Sn]	15mm	20mm	Circuit protection	Short-circuit, overload and reverse polarity	
Assured distance [Sa]	0...12mm	0...16mm	Output indicator	Yellow LED	
Dimensions	40 *40 *53mm		Ambient temperature	-25°C...70°C	
Output	NO/NC (depends on part number)		Ambient humidity	35-95%RH	
Supply voltage	10...30 VDC		Switching frequency [F]	400 Hz	200Hz
Standard target	Fe 45*45*1t	Fe 60*60*1t	Voltage withstand	1000V/AC 50/60Hz 60s	
Switch-point drifts [%/Sr]	≤ ±10%		Insulation resistance	≥50MΩ(500VDC)	
Hysteresis range [%/Sr]	1...20%		Vibration resistance	10...50Hz (1.5mm)	
Repeat accuracy [R]	≤3%		Degree of protection	IP67	
Load current	≤200mA		Housing material	PBT	
Residual voltage	≤2.5V		Connection type	2m PVC cable	

Dimensions



Wiring diagram



Plastic square shape inductive sensors **LE40** series



Features

- ◆ Non contact detection, safe and reliable;
- ◆ ASIC design;
- ◆ Perfect choice for metallic targets detection.



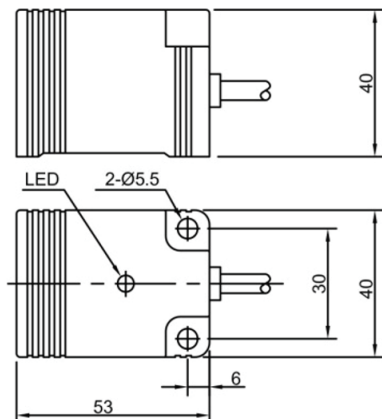
Part number

DC 2 wires NO	LE40SF15DLO	LE40SN20DLO	DC 2 wires NC	LE40SF15DLC	LE40SN20DLC
---------------	-------------	-------------	---------------	-------------	-------------

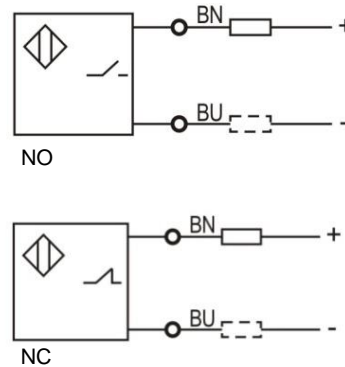
Technical specifications

Mounting	Flush	Non-flush	Leakage current [Ir]	≤1mA	
Rated distance [Sn]	15mm	20mm	Circuit protection	Short-circuit, overload and reverse polarity	
Assured distance [Sa]	0...12mm	0...16mm	Output indicator	Yellow LED	
Dimensions	40 *40 *53mm		Ambient temperature	-25°C...70°C	
Output	NO/NC(depends on part number)		Ambient humidity	35-95%RH	
Supply voltage	10...30 VDC		Switching frequency [F]	500 Hz	300 Hz
Standard target	Fe 45*45*1t	Fe 60*60*1t	Voltage withstand	1000V/AC 50/60Hz 60s	
Switch-point drifts [%/Sr]	≤ ± 10%		Insulation resistance	≥50MΩ (500VDC)	
Hysteresis range [%/Sr]	1...20%		Vibration resistance	10...50Hz (1.5mm)	
Repeat accuracy [R]	≤3%		Degree of protection	IP67	
Load current	≤100mA		Housing material	PBT	
Residual voltage	≤6V		Connection type	2m PVC cable	

Dimensions



Wiring diagram



Plastic square shape inductive sensors **LE40** series



Features

- ◆ Non contact detection, safe and reliable;
- ◆ ASIC design;
- ◆ Perfect choice for metallic targets detection.



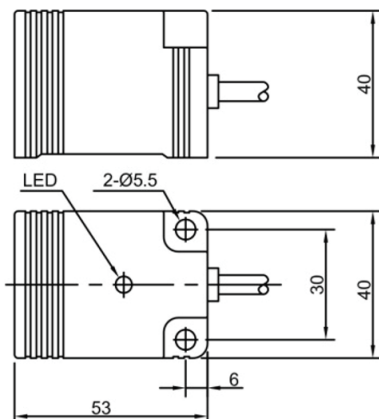
Part number

AC 2 wires NO	LE40SF15ATO	LE40SN20ATO	AC 2 wires NC	LE40SF15ATC	LE40SN20ATC
---------------	-------------	-------------	---------------	-------------	-------------

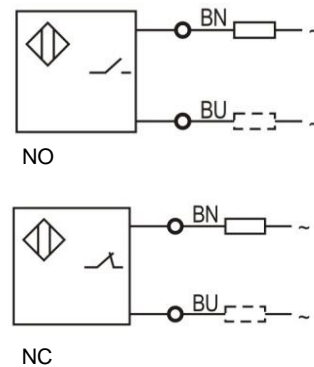
Technical specifications

Mounting	Flush	Non-flush	Leakage current [Ir]	≤3mA
Rated distance [Sn]	15mm	20mm	Circuit protection
Assured distance [Sa]	0...12mm	0...16mm	Output indicator	Yellow LED
Dimensions	40 *40*53mm		Ambient temperature	-25°C...70°C
Output	NO/NC (depends on part number)		Ambient humidity	35-95%RH
Supply voltage	20...250V AC		Switching frequency [F]	20 Hz 20 Hz
Standard target	Fe 45*45*1t	Fe 60*60*1t	Voltage withstand	1000V/AC 50/60Hz 60S
Switch-point drifts [%/Sr]	≤ ± 10%		Insulation resistance	≥50MΩ (500VDC)
Hysteresis range [%/Sr]	1...20%		Vibration resistance	10...50Hz (1.5mm)
Repeat accuracy [R]	≤3%		Degree of protection	IP67
Load current	≤300mA		Housing material	PBT
Residual voltage	≤10V		Connection type	2m PVC cable

Dimensions



Wiring diagram



Plastic square shape inductive sensors **LE36** series



Features

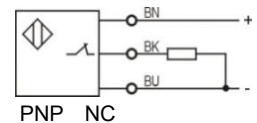
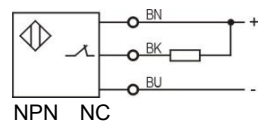
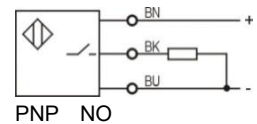
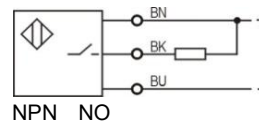
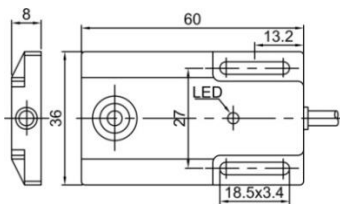
- ◆ Non contact detection, safe and reliable;
- ◆ ASIC design;
- ◆ Perfect choice for metallic targets detection.



Part number						
NPN NO	LE36SF05DNO	LE36SN08DNO	PNP NO	LE36SF05DPO	LE36SN08DPO	
NPN NC	LE36SF05DNC	LE36SN08DNC	PNP NC	LE36SF05DPC	LE36SN08DPC	

Technical specifications					
Mounting	Flush	Non-flush	Current consumption	≤10mA	
Rated distance [Sn]	5mm	8mm	Circuit protection	Short-circuit, overload and reverse polarity	
Assured distance [Sa]	0...4mm	0...6.4mm	Output indicator	Yellow LED	
Dimensions	8 *36 *60 mm		Ambient temperature	-25°C...70°C	
Output	NO/NC (depends on part number)		Ambient humidity	35-95%RH	
Supply voltage	10...30 VDC		Switching frequency [F]	700 Hz	500Hz
Standard target	Fe 36*36*1t	Fe 36*36*1t	Voltage withstand	1000V/AC 50/60Hz 60s	
Switch-point drifts [%/Sr]	≤ ± 10%		Insulation resistance	≥50MΩ(500VDC)	
Hysteresis range [%/Sr]	1...20%		Vibration resistance	10...50Hz (1.5mm)	
Repeat accuracy [R]	≤3%		Degree of protection	IP67	
Load current	≤200mA		Housing material	PBT	
Residual voltage	≤2.5V		Connection type	2m PVC cable	

Dimensions Wiring diagram



Plastic square shape inductive sensors **LE30** series



Features

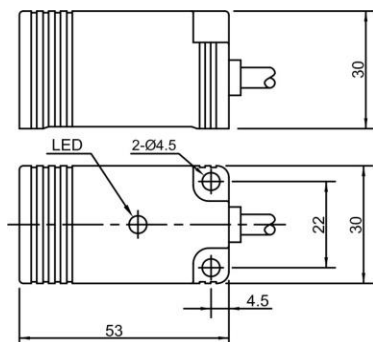
- ◆ Non contact detection, safe and reliable;
- ◆ ASIC design;
- ◆ Perfect choice for metallic targets detection.



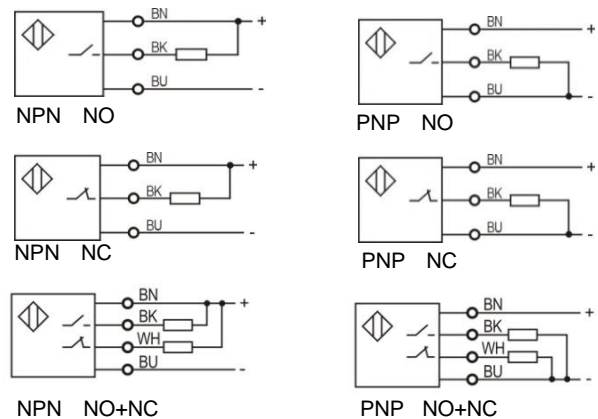
Part number						
NPN NO	LE30SF10DNO	LE30SN15DNO	PNP NO	LE30SF10DPO	LE30SN15DPO	
NPN NC	LE30SF10DNC	LE30SN15DNC	PNP NC	LE30SF10DPC	LE30SN15DPC	
NPN NO+NC	LE30SF10DNR	LE30SN15DNR	PNP NO+NC	LE30SF10DPR	LE30SN15DPR	

Technical specifications					
Mounting	Flush	Non-flush	Current consumption	≤10mA	
Rated distance [Sn]	10mm	15mm	Circuit protection	Short-circuit, overload and reverse polarity	
Assured distance [Sa]	0...8mm	0...12mm	Output indicator	Yellow LED	
Dimensions	30 *30*53mm		Ambient temperature	-25°C...70°C	
Output	NO/NC (depends on part number)		Ambient humidity	35-95%RH	
Supply voltage	10...30 VDC		Switching frequency [F]	500 Hz	300Hz
Standard target	Fe 30*30*1t	Fe 45*45*1t	Voltage withstand	1000V/AC 50/60Hz 60s	
Switch-point drifts [%/Sr]	≤ ± 10%		Insulation resistance	≥50MΩ(500VDC)	
Hysteresis range [%/Sr]	1...20%		Vibration resistance	10...50Hz (1.5mm)	
Repeat accuracy [R]	≤3%		Degree of protection	IP67	
Load current	≤200mA		Housing material	PBT	
Residual voltage	≤2.5V		Connection type	2m PVC cable	

Dimensions



Wiring diagram



Plastic square shape inductive sensors **LE30** series



Features

- ◆ Non contact detection, safe and reliable;
- ◆ ASIC design;
- ◆ Perfect choice for metallic targets detection.



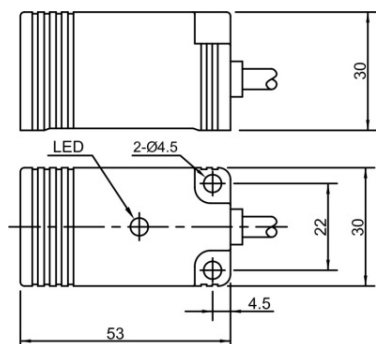
Part number

DC 2 wires NO	LE30SF10DLO	LE30SN15DLO	DC 2 wires NC	LE30SF10DLC	LE30SN15DLC
---------------	-------------	-------------	---------------	-------------	-------------

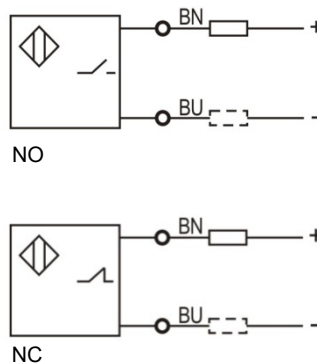
Technical specifications

Mounting	Flush	Non-flush	Leakage current [Ir]	≤1mA	
Rated distance [Sn]	10mm	15mm	Circuit protection	Short-circuit, overload and reverse polarity	
Assured distance [Sa]	0...8mm	0...12mm	Output indicator	Yellow LED	
Dimensions	30 *30 *53mm		Ambient temperature	-25°C...70°C	
Output	NO/NC(depends on part number)		Ambient humidity	35-95%RH	
Supply voltage	10...30 VDC		Switching frequency [F]	500 Hz	300 Hz
Standard target	Fe 30*30*1t	Fe 45*45*1t	Voltage withstand	1000V/AC 50/60Hz 60s	
Switch-point drifts [%/Sr]	≤ ± 10%		Insulation resistance	≥50MΩ (500VDC)	
Hysteresis range [%/Sr]	1...20%		Vibration resistance	10...50Hz (1.5mm)	
Repeat accuracy [R]	≤3%		Degree of protection	IP67	
Load current	≤100mA		Housing material	PBT	
Residual voltage	≤6V		Connection type	2m PVC cable	

Dimensions



Wiring diagram



Plastic square shape inductive sensors **LE30** series



Features

- ◆ Non contact detection, safe and reliable;
- ◆ ASIC design;
- ◆ Perfect choice for metallic targets detection;



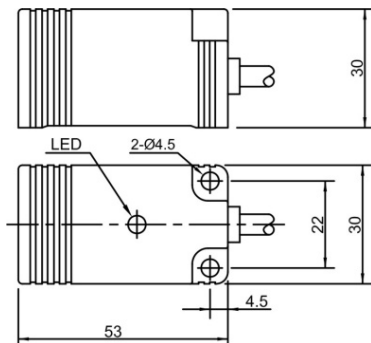
Part number

AC 2 wires NO	LE30SF10ATO	LE30SN15ATO	AC 2 wires NC	LE30SF10ATC	LE30SN15ATC
---------------	-------------	-------------	---------------	-------------	-------------

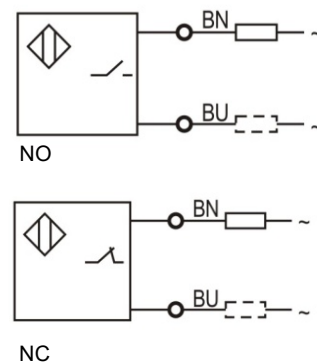
Technical specifications

Mounting	Flush	Non-flush	Leakage current [I _r]	≤3mA
Rated distance [S _n]	10mm	15mm	Circuit protection
Assured distance [S _a]	0...8mm	0...12mm	Output indicator	Yellow LED
Dimensions	30 *30 *53mm		Ambient temperature	-25°C...70°C
Output	NO/NC(depends on part number)		Ambient humidity	35-95%RH
Supply voltage	20...250V AC		Switching frequency [F]	20 Hz 20 Hz
Standard target	Fe 30*30*1t	Fe 45*45*1t	Voltage withstand	1000V/AC 50/60Hz 60S
Switch-point drifts [%/Sr]	≤± 10%		Insulation resistance	≥50MΩ (500VDC)
Hysteresis range [%/Sr]	1...20%		Vibration resistance	10...50Hz (1.5mm)
Repeat accuracy [R]	≤3%		Degree of protection	IP67
Load current	≤300mA		Housing material	PBT
Residual voltage	≤10V		Connection type	2m PVC cable

Dimensions



Wiring diagram



Plastic square shape inductive sensors **LE25** series



Features

- ◆ Non contact detection, safe and reliable;
- ◆ ASIC design;
- ◆ Perfect choice for metallic targets detection;



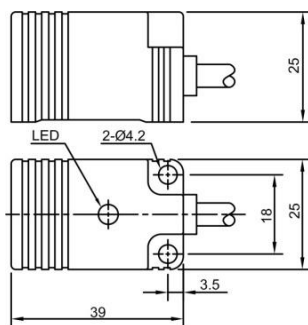
Part number

NPN NO	LE25SF07DNO	LE25SN10DNO	PNP NO	LE25SF07DPO	LE25SN10DPO
NPN NC	LE25SF07DNC	LE25SN10DNC	PNP NC	LE25SF07DPC	LE25SN10DPC

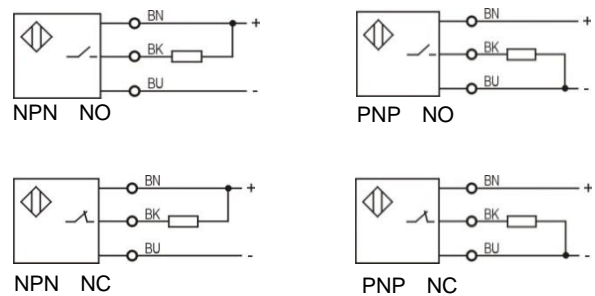
Technical specifications

Mounting	Flush	Non-flush	Current consumption	≤10mA	
Rated distance [Sn]	7mm	10mm	Circuit protection	Short-circuit, overload and reverse polarity	
Assured distance [Sa]	0...5.6mm	0...8mm	Output indicator	Yellow LED	
Dimensions	25 *25 *39mm		Ambient temperature	-25°C...70°C	
Output	NO/NC(depends on part number)		Ambient humidity	35-95%RH	
Supply voltage	10...30 VDC		Switching frequency [F]	700 Hz	500Hz
Standard target	Fe 25*25*1t	Fe 30*30*1t	Voltage withstand	1000V/AC 50/60Hz 60s	
Switch-point drifts [%/Sr]	≤ ± 10%		Insulation resistance	≥50MΩ(500VDC)	
Hysteresis range [%/Sr]	1...20%		Vibration resistance	10...50Hz (1.5mm)	
Repeat accuracy [R]	≤ 3%		Degree of protection	IP67	
Load current	≤ 100mA		Housing material	PBT	
Residual voltage	≤ 2.5V		Connection type	2m PVC cable	

Dimensions



Wiring diagram



Plastic square shape inductive sensors **LE25** series



Features

- ◆ Non contact detection, safe and reliable;
- ◆ ASIC design;
- ◆ Perfect choice for metallic targets detection;



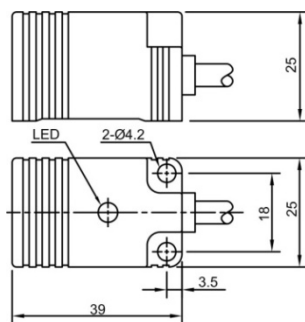
Part number

DC 2 wires NO	LE25SF07DLO	LE25SN10DLO	DC 2 wires NC	LE25SF07DLC	LE25SN10DLC
---------------	-------------	-------------	---------------	-------------	-------------

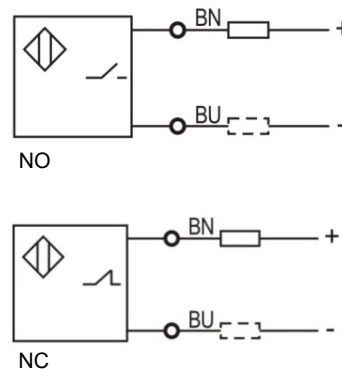
Technical specifications

Mounting	Flush	Non-flush	Leakage current [Ir]	≤1mA	
Rated distance [Sn]	7mm	10mm	Circuit protection	Short-circuit, overload and reverse polarity	
Assured distance [Sa]	0...5.6mm	0...8mm	Output indicator	Yellow LED	
Dimensions	25*25*39mm		Ambient temperature	-25°C...70°C	
Output	NO/NC(depends on part number)		Ambient humidity	35-95%RH	
Supply voltage	10...30 VDC		Switching frequency [F]	500 Hz	300 Hz
Standard target	Fe 25*25*1t/Fe 30*30*1t		Voltage withstand	1000V/AC 50/60Hz 60s	
Switch-point drifts [%/Sr]	≤ ± 10%		Insulation resistance	≥50MΩ (500VDC)	
Hysteresis range [%/Sr]	1...20%		Vibration resistance	10...50Hz (1.5mm)	
Repeat accuracy [R]	≤3%		Degree of protection	IP67	
Load current	≤100mA		Housing material	PBT	
Residual voltage	≤8V		Connection type	2m PVC cable	

Dimensions



Wiring diagram



Plastic square shape inductive sensors **LE25** series



Features

- ◆ Non contact detection, safe and reliable;
- ◆ ASIC design;
- ◆ Perfect choice for metallic target detection;



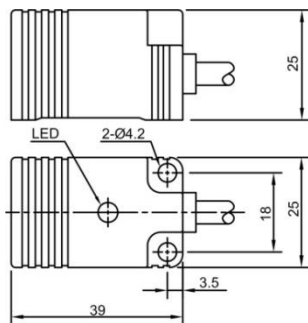
Part number

AC 2 wires NO	LE25SF07BTO	LE25SN10BTO	AC 2 wires NC	LE25SF07BTC	LE25SN10BTC
---------------	-------------	-------------	---------------	-------------	-------------

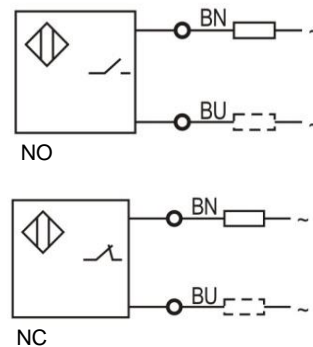
Technical specifications

Mounting	Flush	Non-flush	Leakage current [Ir]	≤3mA
Rated distance [Sn]	7mm	10mm	Circuit protection
Assured distance [Sa]	0...5.6mm	0...8mm	Output indicator	Yellow LED
Dimensions	25 *25 *39mm		Ambient temperature	-25°C...70°C
Output	NO/NC(depends on part number)		Ambient humidity	35-95%RH
Supply voltage	90...250V AC		Switching frequency [F]	20 Hz 20 Hz
Standard target	Fe 25*25*1t	Fe 30*30*1t	Voltage withstand	1000V/AC 50/60Hz 60S
Switch-point drifts [%/Sr]	≤ ± 10%		Insulation resistance	≥50MΩ (500VDC)
Hysteresis range [%/Sr]	1...20%		Vibration resistance	10...50Hz (1.5mm)
Repeat accuracy [R]	≤3%		Degree of protection	IP67
Load current	≤300mA		Housing material	PBT
Residual voltage	≤10V		Connection type	2m PVC cable

Dimensions



Wiring diagram



Plastic square shape inductive sensors **LE20** series



Features

- ◆ Non contact detection, safe and reliable;
- ◆ ASIC design;
- ◆ Perfect choice for metallic targets detection;



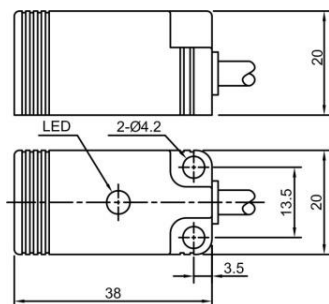
Part number

NPN NO	LE20SF05DNO	LE20SN08DNO	PNP NO	LE20SF05DPO	LE20SN08DPO
NPN NC	LE20SF05DNC	LE20SN08DNC	PNP NC	LE20SF05DPC	LE20SN08DPC

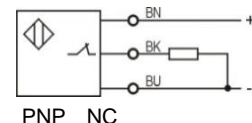
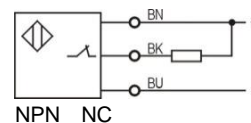
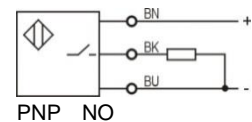
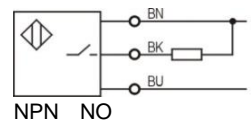
Technical specifications

Mounting	Flush	Non-flush	Current consumption	≤10mA	
Rated distance [Sn]	5mm	8mm	Circuit protection	Short-circuit, overload and reverse polarity	
Assured distance [Sa]	0...4mm	0...6.4mm	Output indicator	Yellow LED	
Dimensions	20*20 *38 mm		Ambient temperature	-25°C...70°C	
Output	NO/NC(depends on part number)		Ambient humidity	35-95%RH	
Supply voltage	10...30 VDC		Switching frequency [F]	700 Hz	500Hz
Standard target	Fe 20*20*1t	Fe 24*24*1t	Voltage withstand	1000V/AC 50/60Hz 60s	
Switch-point drifts [%/Sr]	≤ ± 10%		Insulation resistance	≥50MΩ(500VDC)	
Hysteresis range [%/Sr]	1...20%		Vibration resistance	10...50Hz (1.5mm)	
Repeat accuracy [R]	≤ 3%		Degree of protection	IP67	
Load current	≤ 100mA		Housing material	PBT	
Residual voltage	≤ 2.5V		Connection type	2m PVC cable	

Dimensions



Wiring diagram



Plastic square shape inductive sensors **LE20** series



Features

- ◆ Non contact detection, safe and reliable;
- ◆ ASIC design;
- ◆ Perfect choice for metallic target detection;



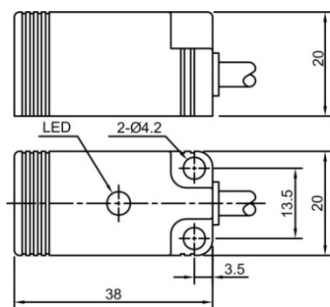
Part number

DC 2 wires NO	LE20SF05DLO	LE20SN08DLO	DC 2 wires NC	LE20SF05DLC	LE20SN08DLC
---------------	-------------	-------------	---------------	-------------	-------------

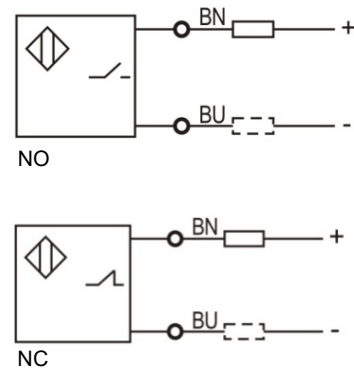
Technical specifications

Mounting	Flush	Non-flush	Leakage current [Ir]	≤1mA	
Rated distance [Sn]	5mm	8mm	Circuit protection	Short-circuit, overload and reverse polarity	
Assured distance [Sa]	0...4mm	0...6.4mm	Output indicator	Yellow LED	
Dimensions	20 *20 *38 mm		Ambient temperature	-25°C...70°C	
Output	NO/NC(depends on part number)		Ambient humidity	35-95%RH	
Supply voltage	10...30 VDC		Switching frequency [F]	500 Hz	300 Hz
Standard target	Fe 20*20*1t	Fe 24*24*1t	Voltage withstand	1000V/AC 50/60Hz 60s	
Switch-point drifts [%/Sr]	≤ ± 10%		Insulation resistance	≥50MΩ (500VDC)	
Hysteresis range [%/Sr]	1...20%		Vibration resistance	10...50Hz (1.5mm)	
Repeat accuracy [R]	≤3%		Degree of protection	IP67	
Load current	≤100mA		Housing material	PBT	
Residual voltage	≤8V		Connection type	2m PVC cable	

Dimensions



Wiring diagram



Plastic square shape inductive sensors **LE80XZ** series



Features

- ◆ Extended sensing distance;
- ◆ ASIC design, safe and reliable;
- ◆ Perfect choice for metallic target detection;



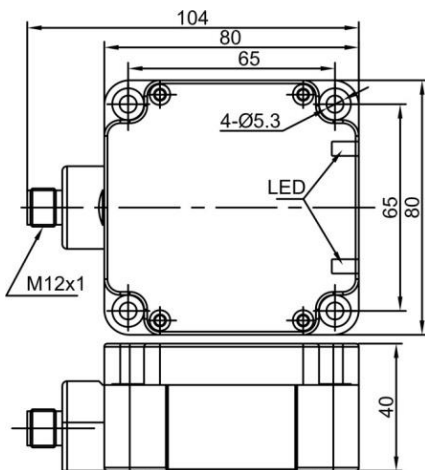
Part number

NPN NO	LE80XZSF50DNOY-E2	LE80XZSN70DNOY-E2	PNP NO	LE80XZSF50DPOY-E2	LE80XZSN70DPOY-E2
NPN NC	LE80XZSF50DNCY-E2	LE80XZSN70DNCY-E2	PNP NC	LE80XZSF50DPCY-E2	LE80XZSN70DPCY-E2
NPN NO+NC	LE80XZSF50DNRY-E2	LE80XZSN70DNRY-E2	PNP NO+NC	LE80XZSF50DPRY-E2	LE80XZSN70DPRY-E2

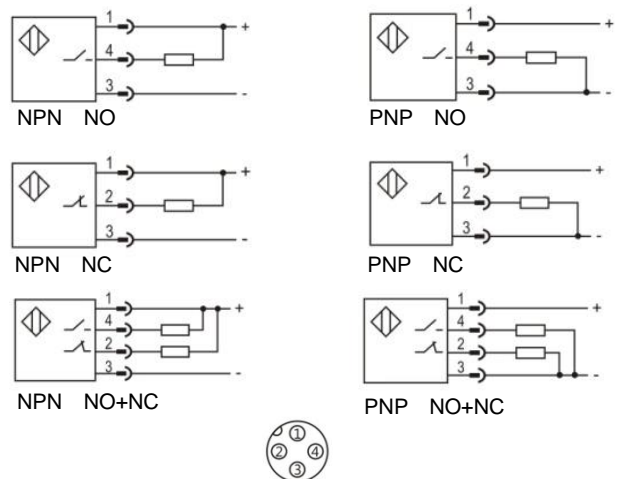
Technical specifications

Mounting	Quasi -flush	Non-flush	Current consumption	≤10mA	
Rated distance [Sn]	50mm	70mm	Circuit protection	Short-circuit, overload, and reverse polarity	
Assured distance [Sa]	0...40mm	0...56mm	Indicator	Yellow LED	
Dimensions	40mm *80mm*104mm		Ambient temperature	-25°C...70°C	
Output	NO/NC(depends on part number)		Ambient humidity	35-95%RH	
Supply voltage	10...30 VDC		Switching frequency [F]	50 Hz	30 Hz
Standard target	Fe 150*150*1t	Fe 210*210*1t	Voltage withstand	1000V/AC 50/60Hz 60S	
Switch-point drifts[%/Sr]	≤ ± 10%		Insulation resistance	≥50MΩ (500VDC)	
Hysteresis range [%/Sr]	1...20%		Vibration resistance	10...50Hz (1.5mm)	
Repeat accuracy [R]	≤ 3%		Degree of protection	IP67	
Load current	≤ 200mA		Housing material	PBT	
Residual voltage	≤ 2.5V		Connection type	M12 connector	

Dimensions



Wiring diagram



Plastic square shape inductive sensors **LE40XZ** series



Features

- ◆ Extended sensing distance;
- ◆ ASIC design, safe and reliable;
- ◆ Perfect choice for metallic target detection;



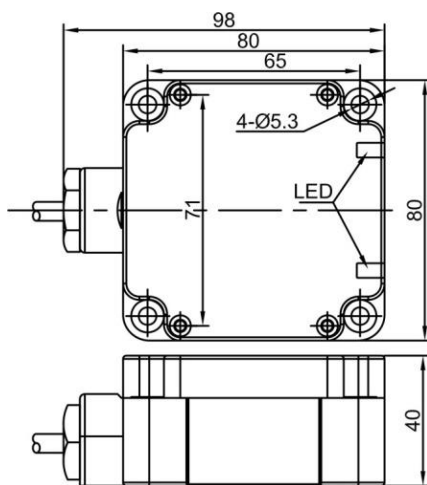
Part number

NPN NO	LE80XZSF50DNOY-D	LE80XZSN70DNOY-D	PNP NO	LE80XZSF50DPOY-D	LE80XZSN70DPOY-D
NPN NC	LE80XZSF50DNCY-D	LE80XZSN70DNCY-D	PNP NC	LE80XZSF50DPCY-D	LE80XZSN70DPCY-D
NPN NO+NC	LE80XZSF50DNRY-D	LE80XZSN70DNRY-D	PNP NO+NC	LE80XZSF50DPRY-D	LE80XZSN70DPRY-D

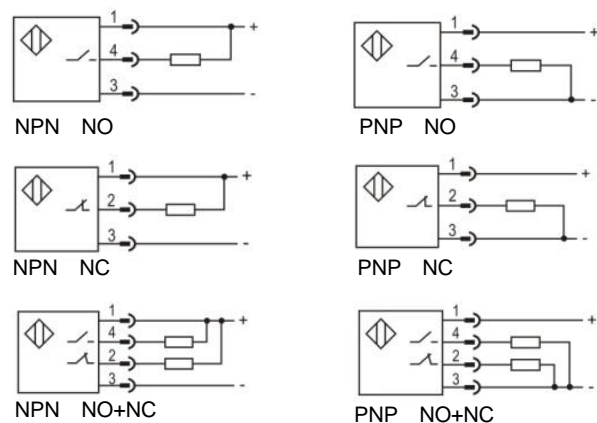
Technical specifications

Mounting	Quasi -flush	Non-flush	Current consumption	≤10mA	
Rated distance [Sn]	50mm	70mm	Circuit protection	Short-circuit, overload, and reverse polarity	
Assured distance [Sa]	0...40mm	0...56mm	Indicator	Yellow LED	
Dimensions	40mm*80mm*98mm		Ambient temperature	-25°C...70°C	
Output	NO/NC(depends on part number)		Ambient humidity	35-95%RH	
Supply voltage	10...30 VDC		Switching frequency [F]	50 Hz	30 Hz
Standard target	Fe 150*150*1t	Fe 210*210*1t	Voltage withstand	1000V/AC 50/60Hz 60S	
Switch-point drifts[%/Sr]	≤±10%		Insulation resistance	≥50MΩ (500VDC)	
Hysteresis range [%/Sr]	1...20%		Vibration resistance	10...50Hz (1.5mm)	
Repeat accuracy [R]	≤3%		Degree of protection	IP67	
Load current	≤200mA		Housing material	PBT	
Residual voltage	≤2.5V		Connection type	Terminal	

Dimensions



Wiring diagram



Plastic square shape inductive sensors **LE80XZ** series



Features

- ◆ Extended sensing distance;
- ◆ ASIC design, safe and reliable;
- ◆ Perfect choice for metallic target detection;



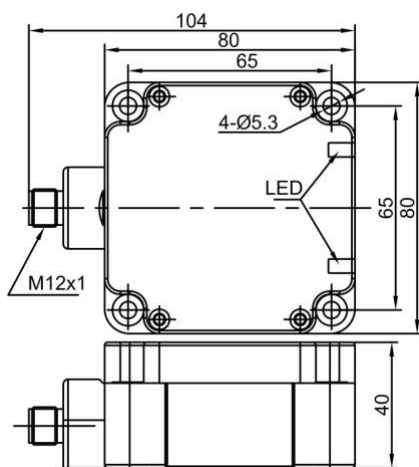
Part number

DC 2 wires NO	LE80XZSF50DLOY-E2	LE80XZSN70DLOY-E2	DC 2 wires NC	LE80XZSF50DLCY-E2	LE80XZSN70DLCY-E2
---------------	-------------------	-------------------	---------------	-------------------	-------------------

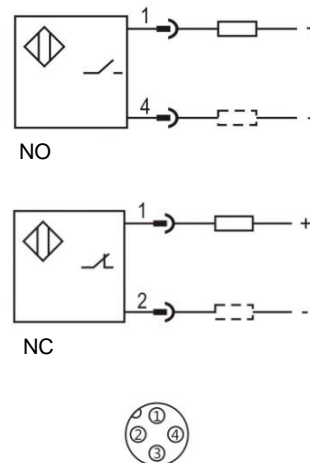
Technical specifications

Mounting	Quasi -flush	Non-flush	Leakage current [Ir]	≤1mA	
Rated distance [Sn]	50mm	70mm	Circuit protection	Short-circuit, overload, and reverse polarity	
Assured distance [Sa]	0...40mm	0...56mm	Output indicator	Yellow LED	
Dimensions	40mm *80mm*104mm		Ambient temperature	-25°C...70°C	
Output	NO/NC(depends on part number)		Ambient humidity	35-95%RH	
Supply voltage	10...30 VDC		Switching frequency [F]	50 Hz	30 Hz
Standard target	Fe 150*150*1t	Fe 210*210*1t	Voltage withstand	1000V/AC 50/60Hz 60S	
Switch-point drifts[%/Sr]	≤ ±10%		Insulation resistance	≥50MΩ (500VDC)	
Hysteresis range [%/Sr]	1...20%		Vibration resistance	10...50Hz (1.5mm)	
Repeat accuracy [R]	≤3%		Degree of protection	IP67	
Load current	≤100mA		Housing material	PBT	
Residual voltage	≤6V		Connection type	M12 connector	

Dimensions



Wiring diagram



Plastic square shape inductive sensors **LE40XZ** series



Features

- ◆ Extended sensing distance;
- ◆ ASIC design, safe and reliable;
- ◆ Perfect choice for metallic target detection;



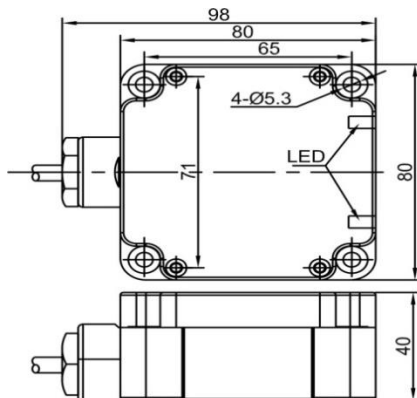
Part number

DC 2 wires NO	LE80XZSF50DLOY-D	LE80XZSN70DLOY-D	DC 2 wires NC	LE80XZSF50DLCY-D	LE80XZSN70DLCY-D
---------------	------------------	------------------	---------------	------------------	------------------

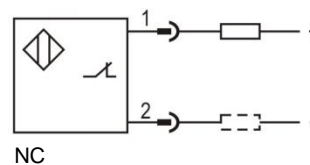
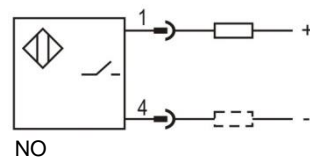
Technical specifications

Mounting	Quasi -flush	Non-flush	Leakage current [Ir]	≤1mA	
Rated distance [Sn]	50mm	70mm	Circuit protection	Short-circuit, overload, and reverse polarity	
Assured distance [Sa]	0...40mm	0...56mm	Output indicator	Yellow LED	
Dimensions	40mm *80mm*98mm		Ambient temperature	-25°C...70°C	
Output	NO/NC(depends on part number)		Ambient humidity	35-95%RH	
Supply voltage	10...30 VDC		Switching frequency [F]	50 Hz	30 Hz
Standard target	Fe 150*150*1t	Fe 210*210*1t	Voltage withstand	1000V/AC 50/60Hz 60S	
Switch-point drifts[%/Sr]	≤ ±10%		Insulation resistance	≥50MΩ (500VDC)	
Hysteresis range [%/Sr]	1...20%		Vibration resistance	10...50Hz (1.5mm)	
Repeat accuracy [R]	≤3%		Degree of protection	IP67	
Load current	≤100mA		Housing material	PBT	
Residual voltage	≤6V		Connection type	Terminal	

Dimensions



Wiring diagram



Plastic square shape inductive sensors **LE80XZ** series



Features

- ◆ Extended sensing distance;
- ◆ ASIC design, safe and reliable;
- ◆ Perfect choice for metallic target detection;



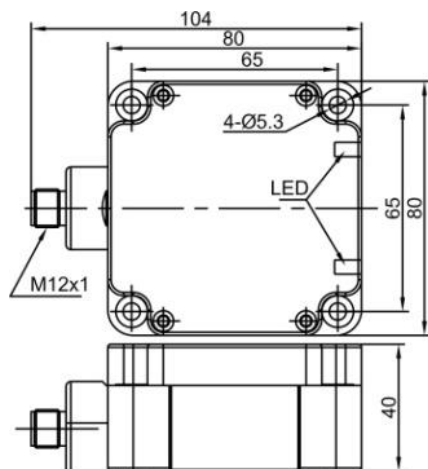
Part number

AC 2 wiresNO LE80XZSF50ATOY-E2 LE80XZSN70ATOY-E2 AC 2 wiresNC LE80XZSF50ATCY-E2 LE80XZSN70ATCY-E2

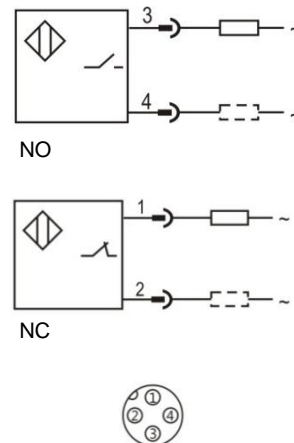
Technical specifications

Mounting	Quasi -flush	Non-flush	Leakage current [I _r]	≤3mA
Rated distance [S _n]	50mm	70mm	Circuit protection
Assured distance [S _a]	0...40mm	0...56mm	Output indicator	Yellow LED
Dimensions	40mm *80mm*104mm		Ambient temperature	-25°C...70°C
Output	NO/NC(depends on part number)		Ambient humidity	35-95%RH
Supply voltage	20...250 VAC		Switching frequency [F]	20 Hz
Standard target	Fe 150*150*1t	Fe 210*210*1t	Voltage withstand	1000V/AC 50/60Hz 60S
Switch-point drifts[%/Sr]	≤ ± 10%		Insulation resistance	≥50MΩ (500VDC)
Hysteresis range [%/Sr]	1...20%		Vibration resistance	10...50Hz (1.5mm)
Repeat accuracy [R]	≤ 3%		Degree of protection	IP67
Load current	≤ 300mA		Housing material	PBT
Residual voltage	≤ 10V		Connection type	M12 connector

Dimensions



Wiring diagram



Plastic square shape inductive sensors **LE80XZ** series



Features

- ◆ Extended sensing distance;
- ◆ ASIC design, safe and reliable;
- ◆ Perfect choice for metallic target detection;



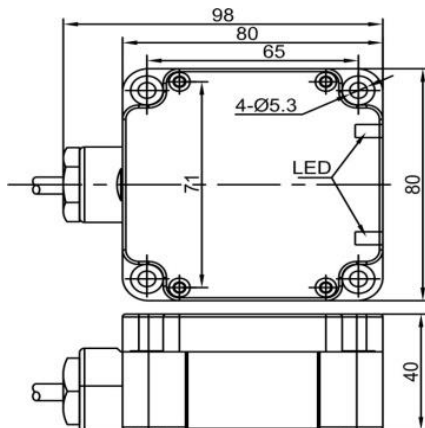
Part number

AC 2 wiresNO	LE80XZSF50ATOY-D	LE80XZSN70ATOY-D	AC 2 wiresNC	LE80XZSF50ATCY-D	LE80XZSN70ATCY-D
--------------	------------------	------------------	--------------	------------------	------------------

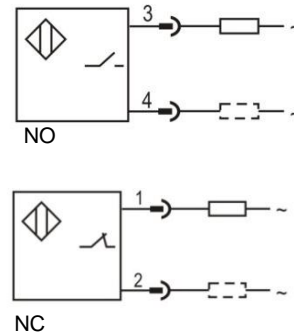
Technical specifications

Mounting	Quasi -flush	Non-flush	Leakage current [Ir]	≤3mA
Rated distance [Sn]	50mm	70mm	Circuit protection
Assured distance [Sa]	0...40mm	0...56mm	Output indicator	Yellow LED
Dimensions	40mm *80mm*98mm		Ambient temperature	-25°C...70°C
Output	NO/NC(depends on part number)		Ambient humidity	35-95%RH
Supply voltage	20...250 VAC		Switching frequency [F]	20 Hz
Standard target	Fe 150*150*1t	Fe 210*210*1t	Voltage withstand	1000V/AC 50/60Hz 60S
Switch-point drifts[%/Sr]	≤ ± 10%		Insulation resistance	≥50MΩ (500VDC)
Hysteresis range [%/Sr]	1...20%		Vibration resistance	10...50Hz (1.5mm)
Repeat accuracy [R]	≤ 3%		Degree of protection	IP67
Load current	≤ 300mA		Housing material	PBT
Residual voltage	≤ 10V		Connection type	Terminal

Dimensions



Wiring diagram



Plastic square shape inductive sensors **LE80XZ** series



Features

- ◆ Extended sensing distance;
- ◆ ASIC design, safe and reliable;
- ◆ Perfect choice for metallic target detection;



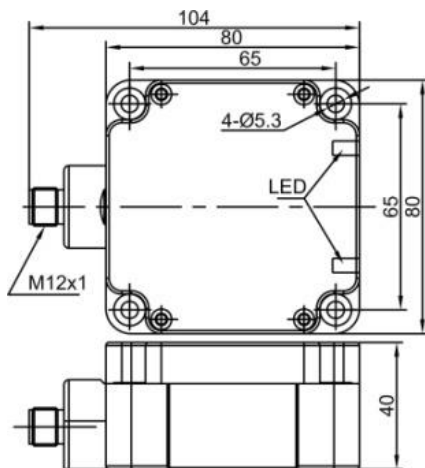
Part number

AC/DC 2wires NO	LE80XZSF50SBOY-E2	LE80XZSN70SBOY-E2	AC/DC 2wires NO/NC	LE80XZSF50SBBY-E2	LE80XZSN70SBBY-E2
AC/DC 2wires NC	LE80XZSF50SBCY-E2	LE80XZSN70SBCY-E2			

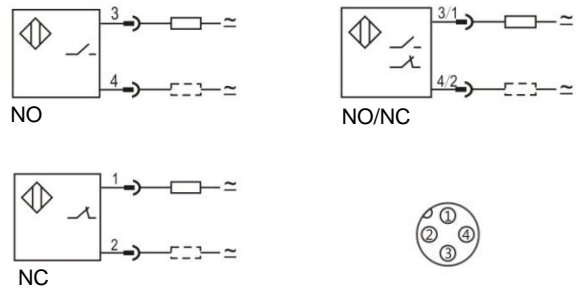
Technical specifications

Mounting	Quasi -flush	Non-flush	Leakage current [Ir]	AC: ≤ 3mA	DC: ≤ 1mA
Rated distance [Sn]	50mm	70mm	Circuit protection	
Assured distance [Sa]	0...40mm	0...56mm	Indicator	Yellow LED	
Dimensions	40mm *80mm*104mm		Ambient temperature	-25°C...70°C	
Output	NO/NC(depends on part number)		Ambient humidity	35-95%RH	
Supply voltage	20...250V AC/DC		Switching frequency [F]	AC:20 Hz	DC: 30 Hz
Standard target	Fe 150*150*1t	Fe 210*210*1t	Voltage withstand	1000V/AC 50/60Hz 60S	
Switch-point drifts[%/Sr]	≤ ± 10%		Insulation resistance	≥50MΩ (500VDC)	
Hysteresis range [%/Sr]	1...20%		Vibration resistance	10...50Hz (1.5mm)	
Repeat accuracy [R]	≤ 3%		Degree of protection	IP67	
Load current	AC: ≤ 300mA	DC: ≤ 100mA	Housing material	PBT	
Residual voltage	AC: ≤ 10V	DC: ≤ 8V	Connection type	M12 connector	

Dimensions



Wiring diagram



Plastic square shape inductive sensors **LE40XZ** series



Features

- ◆ Extended sensing distance;
- ◆ ASIC design, safe and reliable;
- ◆ Perfect choice for metallic target detection;



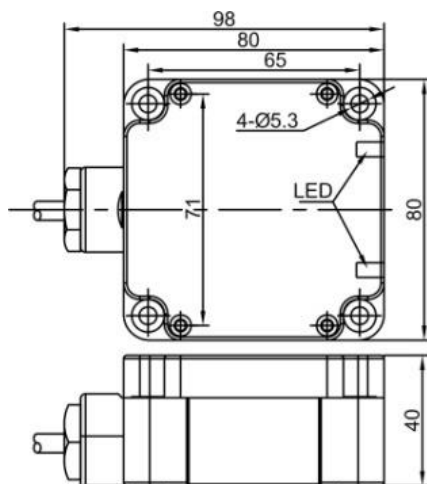
Part number

AC/DC 2wires NO	LE80XZSF50SBOY-D	LE80XZSN70SBOY-D	AC/DC 2wires NO/NC	LE80XZSF50SBBY-D	LE80XZSN70SBBY-D
AC/DC 2wires NC	LE80XZSF50SBCY-D	LE80XZSN70SBCY-D			

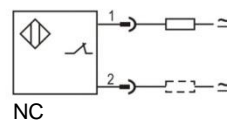
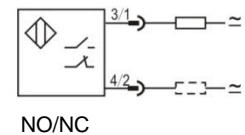
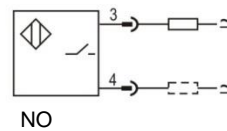
Technical specifications

Mounting	Quasi -flush	Non-flush	Leakage current [Ir]	AC: ≤ 3mA	DC: ≤ 1mA
Rated distance [Sn]	50mm	70mm	Circuit protection	
Assured distance [Sa]	0...40mm	0...56mm	Indicator	Yellow LED	
Dimensions	40mm *80mm*98mm		Ambient temperature	-25°C...70°C	
Output	NO/NC(depends on part number)		Ambient humidity	35-95%RH	
Supply voltage	20...250V AC/DC		Switching frequency [F]	AC:20 Hz	DC: 30 Hz
Standard target	Fe 150*150*1t	Fe 210*210*1t	Voltage withstand	1000V/AC 50/60Hz 60S	
Switch-point drifts[%/Sr]	≤ ± 10%		Insulation resistance	≥50MΩ (500VDC)	
Hysteresis range [%/Sr]	1...20%		Vibration resistance	10...50Hz (1.5mm)	
Repeat accuracy [R]	≤ 3%		Degree of protection	IP67	
Load current	AC: ≤ 300mA	DC: ≤ 100mA	Housing material	PBT	
Residual voltage	AC: ≤ 10V	DC: ≤ 8V	Connection type	Terminal	

Dimensions



Wiring diagram



Plastic square shape inductive sensors **LE40XZ** series

Features

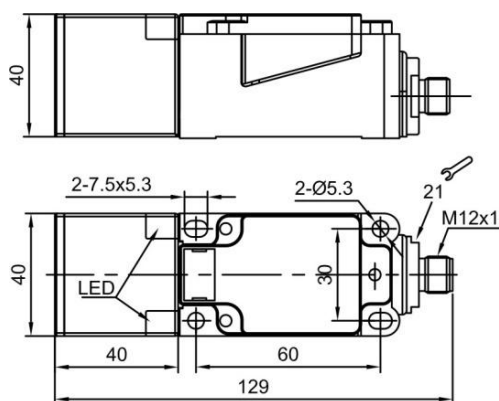
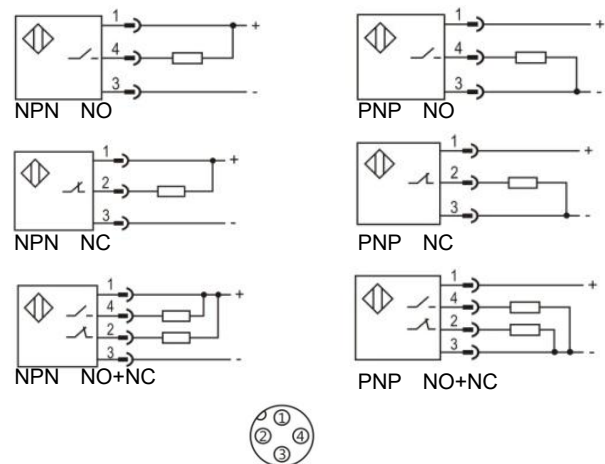
- ◆ Extended sensing distance;
- ◆ ASIC design, safe and reliable;
- ◆ Perfect choice for metallic target detection;


Part number

NPN NO	LE40XZSF20DNOY-E2	LE40XZSN40DNOY-E2	PNP NO	LE40XZSF20DPOY-E2	LE40XZSN40DPOY-E2
NPN NC	LE40XZSF20DNCY-E2	LE40XZSN40DNCY-E2	PNP NC	LE40XZSF20DPCY-E2	LE40XZSN40DPCY-E2
NPN NO+NC	LE40XZSF20DNRY-E2	LE40XZSN40DNRY-E2	PNP NO+NC	LE40XZSF20DPRY-E2	LE40XZSN40DPRY-E2

Technical specifications

Mounting	Quasi -flush	Non-flush	Current consumption	≤10mA	
Rated distance [Sn]	20mm	40mm	Circuit protection	Short-circuit, overload, and reverse polarity	
Assured distance [Sa]	0...16mm	0...32mm	Indicator	Yellow LED	
Dimensions	40mm *40mm *129mm		Ambient temperature	-25°C...70°C	
Output	NO/NC(depends on part number)		Ambient humidity	35-95%RH	
Supply voltage	10...30 VDC		Switching frequency [F]	200 Hz	100 Hz
Standard target	Fe 75*75*1t	Fe 120*120*1t	Voltage withstand	1000V/AC 50/60Hz 60S	
Switch-point drifts[%/Sr]	≤±10%		Insulation resistance	≥50MΩ (500VDC)	
Hysteresis range [%/Sr]	1...20%		Vibration resistance	10...50Hz (1.5mm)	
Repeat accuracy [R]	≤3%		Degree of protection	IP67	
Load current	≤200mA		Housing material	PBT	
Residual voltage	≤2.5V		Connection type	M12 connector	

Dimensions

Wiring diagram


Plastic square shape inductive sensors **LE40XZ** series


Features

- ◆ Extended sensing distance;
- ◆ ASIC design, safe and reliable;
- ◆ Perfect choice for metallic target detection;



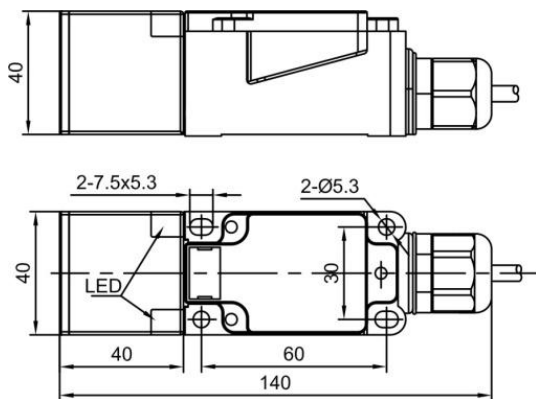
Part number

NPN NO	LE40XZSF20DNOY-D	LE40XZSN40DNOY-D	PNP NO	LE40XZSF20DPOY-D	LE40XZSN40DPOY-D
NPN NC	LE40XZSF20DNCY-D	LE40XZSN40DNCY-D	PNP NC	LE40XZSF20DPCY-D	LE40XZSN40DPCY-D
NPN NO+NC	LE40XZSF20DNRY-D	LE40XZSN40DNRY-D	PNP NO+NC	LE40XZSF20DPRY-D	LE40XZSN40DPRY-D

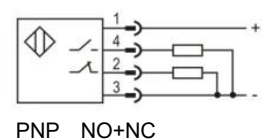
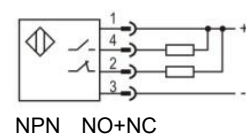
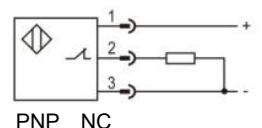
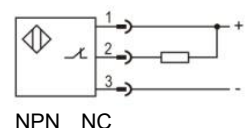
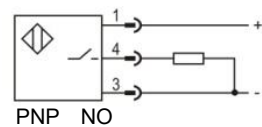
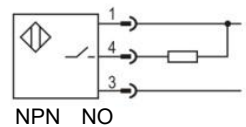
Technical specifications

Mounting	Quasi -flush	Non-flush	Current consumption	≤10mA	
Rated distance [Sn]	20mm	40mm	Circuit protection	Short-circuit, overload, and reverse polarity	
Assured distance [Sa]	0...16mm	0...32mm	Indicator	Yellow LED	
Dimensions	40mm *40mm *140mm		Ambient temperature	-25°C...70°C	
Output	NO/NC(depends on part number)		Ambient humidity	35-95%RH	
Supply voltage	10...30 VDC		Switching frequency [F]	200 Hz	100 Hz
Standard target	Fe 75*75*1t	Fe 120*120*1t	Voltage withstand	1000V/AC 50/60Hz 60S	
Switch-point drifts[%/Sr]	≤±10%		Insulation resistance	≥50MΩ (500VDC)	
Hysteresis range [%/Sr]	1...20%		Vibration resistance	10...50Hz (1.5mm)	
Repeat accuracy [R]	≤3%		Degree of protection	IP67	
Load current	≤200mA		Housing material	PBT	
Residual voltage	≤2.5V		Connection type	Terminal	

Dimensions



Wiring diagram



Plastic square shape inductive sensors **LE40XZ** series

Features

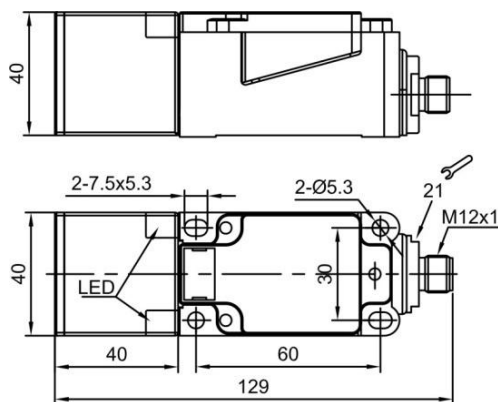
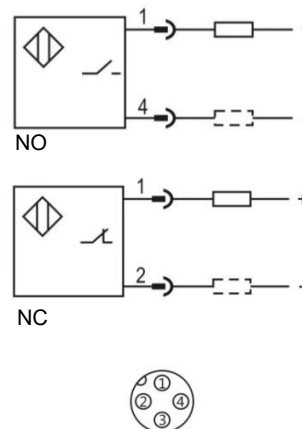
- ◆ Extended sensing distance;
- ◆ ASIC design, safe and reliable;
- ◆ Perfect choice for metallic target detection;


Part number

DC 2 wires NO	LE40XZSF20DLOY-E2 LE40XZSN40DLOY-E2	DC 2 wires NC	LE40XZSF20DLCY-E2	LE40XZSN40DLCY-E2
---------------	-------------------------------------	---------------	-------------------	-------------------

Technical specifications

Mounting	Quasi -flush	Non-flush	Leakage current [Ir]	≤1mA	
Rated distance [Sn]	20mm	40mm	Circuit protection	Short-circuit, overload, and reverse polarity	
Assured distance [Sa]	0...16mm	0...32mm	Output indicator	Yellow LED	
Dimensions	40mm *40mm *129mm		Ambient temperature	-25°C...70°C	
Output	NO/NC(depends on part number)		Ambient humidity	35-95%RH	
Supply voltage	10...30 VDC		Switching frequency [F]	200 Hz	100 Hz
Standard target	Fe 75*75*1t	Fe 120*120*1t	Voltage withstand	1000V/AC 50/60Hz 60S	
Switch-point drifts[%/Sr]	≤±10%		Insulation resistance	≥50MΩ (500VDC)	
Hysteresis range [%/Sr]	1...20%		Vibration resistance	10...50Hz (1.5mm)	
Repeat accuracy [R]	≤3%		Degree of protection	IP67	
Load current	≤100mA		Housing material	PBT	
Residual voltage	≤6V		Connection type	M12 connector	

Dimensions

Wiring diagram


Plastic square shape inductive sensors **LE40XZ** series


Features

- ◆ Extended sensing distance;
- ◆ ASIC design, safe and reliable;
- ◆ Perfect choice for metallic target detection;



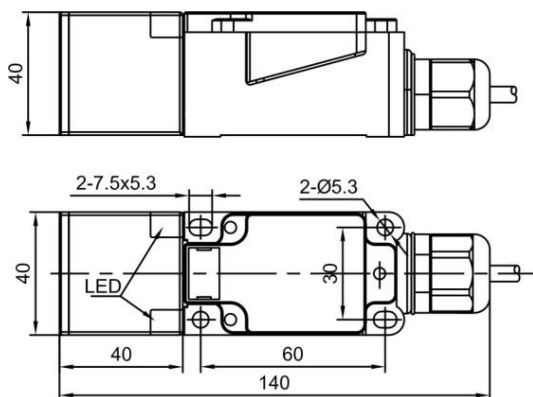
Part number

DC 2 wires NO	LE40XZSF20DLOY-D	LE40XZSN40DLOY-D	DC 2 wires NC	LE40XZSF20DLCY-D	LE40XZSN40DLCY-D
---------------	------------------	------------------	---------------	------------------	------------------

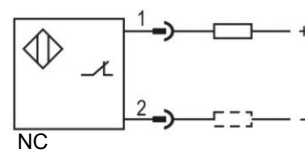
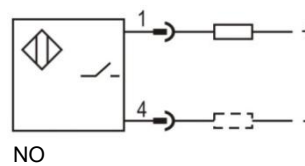
Technical specifications

Mounting	Quasi -flush	Non-flush	Leakage current [Ir]	≤1mA	
Rated distance [Sn]	20mm	40mm	Circuit protection	Short-circuit, overload, and reverse polarity	
Assured distance [Sa]	0...16mm	0...32mm	Output indicator	Yellow LED	
Dimensions	40mm *40mm *140mm		Ambient temperature	-25°C...70°C	
Output	NO/NC(depends on part number)		Ambient humidity	35-95%RH	
Supply voltage	10...30 VDC		Switching frequency [F]	200 Hz	100 Hz
Standard target	Fe 75*75*1t	Fe 120*120*1t	Voltage withstand	1000V/AC 50/60Hz 60S	
Switch-point drifts[%/Sr]	≤±10%		Insulation resistance	≥50MΩ (500VDC)	
Hysteresis range [%/Sr]	1...20%		Vibration resistance	10...50Hz (1.5mm)	
Repeat accuracy [R]	≤3%		Degree of protection	IP67	
Load current	≤100mA		Housing material	PBT	
Residual voltage	≤6V		Connection type	Terminal	

Dimensions



Wiring diagram



Plastic square shape inductive sensors **LE40XZ** series



Features

- ◆ Extended sensing distance;
- ◆ ASIC design, safe and reliable;
- ◆ Perfect choice for metallic target detection;



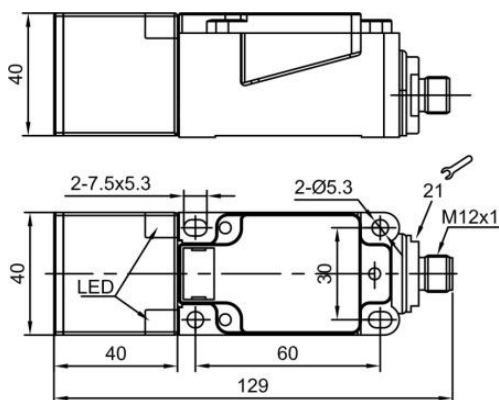
Part number

AC 2 wiresNO	LE40XZSF20ATOY-E2	LE40XZSN40ATOY-E2	AC 2 wiresNC	LE40XZSF20ATCY-E2	LE40XZSN40ATCY-E2
--------------	-------------------	-------------------	--------------	-------------------	-------------------

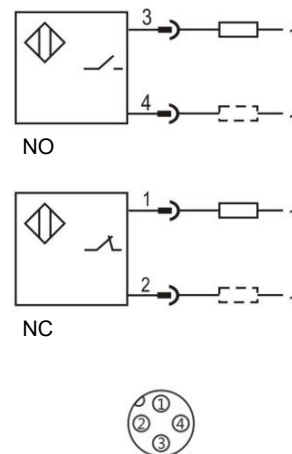
Technical specifications

Mounting	Quasi -flush	Non-flush	Leakage current [Ir]	≤3mA
Rated distance [Sn]	20mm	40mm	Circuit protection
Assured distance [Sa]	0...16mm	0...32mm	Output indicator	Yellow LED
Dimensions	40mm *40mm*129mm		Ambient temperature	-25°C...70°C
Output	NO/NC(depends on part number)		Ambient humidity	35-95%RH
Supply voltage	20...250 VAC		Switching frequency [F]	20 Hz
Standard target	Fe 75*75*1t	Fe 120*120*1t	Voltage withstand	1000V/AC 50/60Hz 60S
Switch-point drifts[%/Sr]	≤±10%		Insulation resistance	≥50MΩ (500VDC)
Hysteresis range [%/Sr]	1...20%		Vibration resistance	10...50Hz (1.5mm)
Repeat accuracy [R]	≤3%		Degree of protection	IP67
Load current	≤300mA		Housing material	PBT
Residual voltage	≤10V		Connection type	M12 connector

Dimensions



Wiring diagram



Plastic square shape inductive sensors **LE40XZ** series



Features

- ◆ Extended sensing distance;
- ◆ ASIC design, safe and reliable;
- ◆ Perfect choice for metallic target detection;



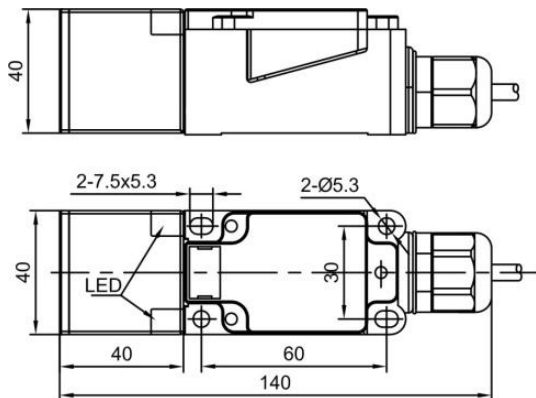
Part number

AC 2 wiresNO	LE40XZSF20ATOY-D	LE40XZSN40ATOY-D	AC 2 wires NC	LE40XZSF20ATCY-D	LE40XZSN40ATCY-D
--------------	------------------	------------------	---------------	------------------	------------------

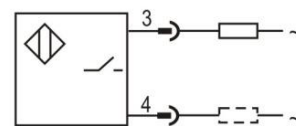
Technical specifications

Mounting	Quasi -flush	Non-flush	Leakage current [Ir]	≤3mA
Rated distance [Sn]	20mm	40mm	Circuit protection
Assured distance [Sa]	0...16mm	0...32mm	Output indicator	Yellow LED
Dimensions	40mm *40mm*140mm		Ambient temperature	-25°C...70°C
Output	NO/NC(depends on part number)		Ambient humidity	35-95%RH
Supply voltage	20...250 VAC		Switching frequency [F]	20 Hz
Standard target	Fe 75*75*1t	Fe 120*120*1t	Voltage withstand	1000V/AC 50/60Hz 60S
Switch-point drifts[%/Sr]	≤±10%		Insulation resistance	≥50MΩ (500VDC)
Hysteresis range [%/Sr]	1...20%		Vibration resistance	10...50Hz (1.5mm)
Repeat accuracy [R]	≤3%		Degree of protection	IP67
Load current	≤300mA		Housing material	PBT
Residual voltage	≤10V		Connection type	Terminal

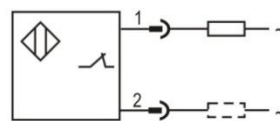
Dimensions



Wiring diagram



NO



NC

Plastic square shape inductive sensors **LE40XZ** series



Features

- ◆ Extended sensing distance;
- ◆ ASIC design, safe and reliable;
- ◆ Perfect choice for metallic target detection;



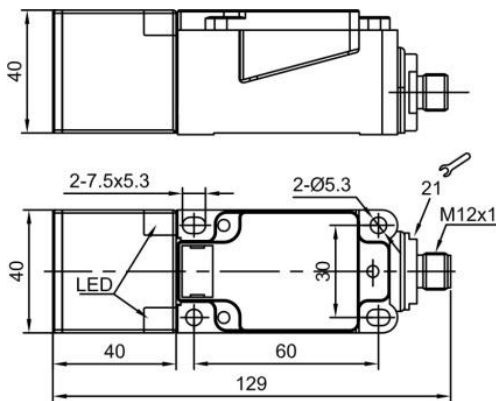
Part number

AC/DC 2wires NO	LE40XZSF20SBOY-E2	LE40XZSN40SBOY-E2	AC/DC 2wires NO/NC	LE40XZSF20SBBY-E2	LE40XZSN40SBBY-E2
AC/DC 2wires NC	LE40XZSF20SBCY-E2	LE40XZSN40SBCY-E2			

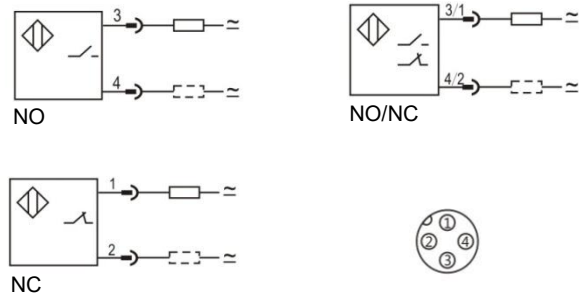
Technical specifications

Mounting	Quasi -flush	Non-flush	Leakage current [Ir]	AC: ≤3mA	DC: ≤1mA
Rated distance [Sn]	20mm	40mm	Circuit protection	
Assured distance [Sa]	0...16mm	0...32mm	Indicator	Yellow LED	
Dimensions	40 mm *40 mm *129mm		Ambient temperature	-25°C...70°C	
Output	NO/NC(depends on part number)		Ambient humidity	35-95%RH	
Supply voltage	20...250V AC/DC		Switching frequency [F]	AC:20 Hz	DC: 100 Hz
Standard target	Fe 75*75*1t	Fe 120*120*1t	Voltage withstand	1000V/AC 50/60Hz 60S	
Switch-point drifts[%/Sr]	≤ ±10%		Insulation resistance	≥50MΩ (500VDC)	
Hysteresis range [%/Sr]	1...20%		Vibration resistance	10...50Hz (1.5mm)	
Repeat accuracy [R]	≤3%		Degree of protection	IP67	
Load current	AC: ≤300mA	DC: ≤100mA	Housing material	PBT	
Residual voltage	AC: ≤10V	DC: ≤8V	Connection type	M12 connector	

Dimensions



Wiring diagram



Plastic square shape inductive sensors **LE40SZ** series



Features

- ◆ Extended sensing distance;
- ◆ ASIC design, safe and reliable;
- ◆ Perfect choice for metallic target detection;



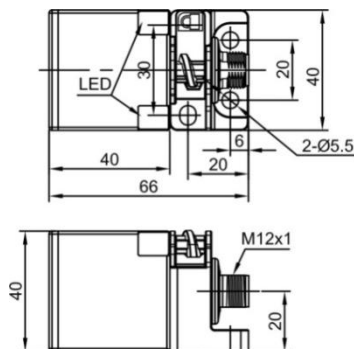
Part number

NPN NO	LE40SZSF20DNOY-E2	LE40SZSN40DNOY-E2	PNP NO	LE40SZSF20DPOY-E2	LE40SZSN40DPOY-E2
NPN NC	LE40SZSF20DNCY-E2	LE40SZSN40DNCY-E2	PNP NC	LE40SZSF20DPCY-E2	LE40SZSN40DPCY-E2
NPN NO+NC	LE40SZSF20DNRY-E2	LE40SZSN40DNRY-E2	PNP NO+NC	LE40SZSF20DPRY-E2	LE40SZSN40DPRY-E2

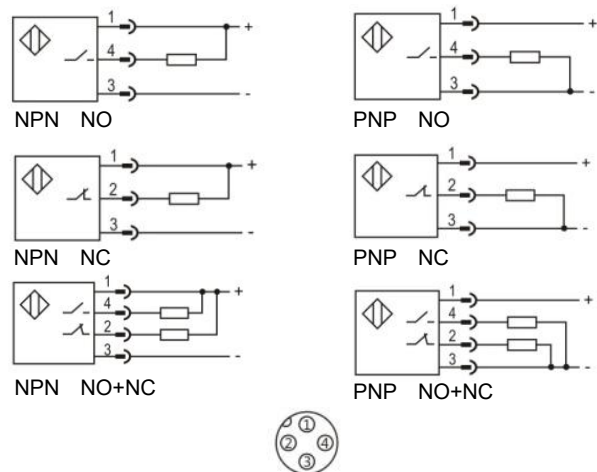
Technical specifications

Mounting	Quasi-flush	Non-flush	Current consumption	≤10mA	
Rated distance [Sn]	20mm	40mm	Circuit protection	Short-circuit, overload, and reverse polarity	
Assured distance [Sa]	0...16mm	0...32mm	Indicator	Yellow LED	
Dimensions	40mm *40mm *66mm		Ambient temperature	-25°C...70°C	
Output	NO/NC(depends on part number)		Ambient humidity	35-95%RH	
Supply voltage	10...30 VDC		Switching frequency [F]	200 Hz	100 Hz
Standard target	Fe 60*60*1t	Fe 120*120*1t	Voltage withstand	1000V/AC 50/60Hz 60S	
Switch-point drifts[%/Sr]	≤±10%		Insulation resistance	≥50MΩ (500VDC)	
Hysteresis range [%/Sr]	1...20%		Vibration resistance	10...50Hz (1.5mm)	
Repeat accuracy [R]	≤3%		Degree of protection	IP67	
Load current	≤200mA		Housing material	PBT	
Residual voltage	≤2.5V		Connection type	M12 connector	

Dimensions



Wiring diagram



Plastic square shape inductive sensors **LE40SZ** series



Features

- ◆ Extended sensing distance;
- ◆ ASIC design, safe and reliable;
- ◆ Perfect choice for metallic target detection;



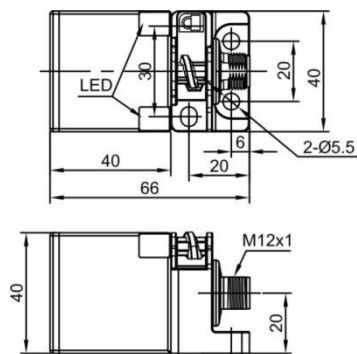
Part number

DC 2wiresNO LE40SZSF20DLOY-E2 LE40SZSN40DLOY-E2 DC 2 wiresNC LE40SZSF20DLCY-E2 LE40SZSN40DLCY-E2

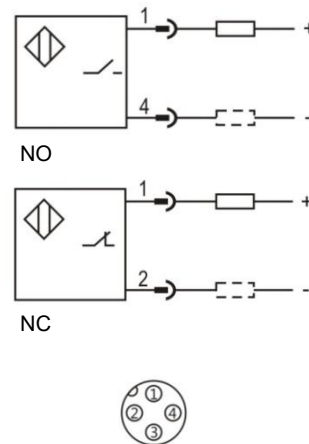
Technical specifications

Mounting	Quasi -flush	Non-flush	Leakage current [Ir]	≤1mA	
Rated distance [Sn]	20mm	40mm	Circuit protection	Short-circuit, overload, and reverse polarity	
Assured distance [Sa]	0...16mm	0...32mm	Output indicator	Yellow LED	
Dimensions	40mm*40mm*66mm		Ambient temperature	-25°C...70°C	
Output	NO/NC(depends on part number)		Ambient humidity	35-95%RH	
Supply voltage	10...30 VDC		Switching frequency [F]	200 Hz	100 Hz
Standard target	Fe 75*75*1t	Fe 120*120*1t	Voltage withstand	1000V/AC 50/60Hz 60S	
Switch-point drifts[%/Sr]	≤±10%		Insulation resistance	≥50MΩ (500VDC)	
Hysteresis range [%/Sr]	1...20%		Vibration resistance	10...50Hz (1.5mm)	
Repeat accuracy [R]	≤3%		Degree of protection	IP67	
Load current	≤100mA		Housing material	PBT	
Residual voltage	≤6V		Connection type	M12 connector	

Dimensions



Wiring diagram



Plastic squareshape inductive sensors **LE40SZ** series



Features

- ◆ Extended sensing distance;
- ◆ ASIC design, safe and reliable;
- ◆ Perfect choice for metallic target detection;



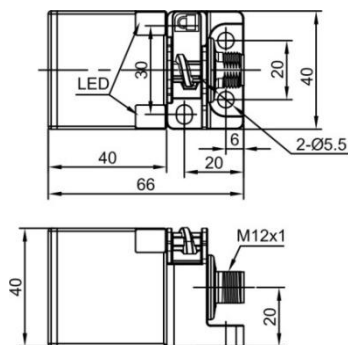
Part number

AC 2 wiresNO LE40SZSF20ATOY-E2 LE40SZSN40ATOY-E2 AC 2 wiresNC LE40SZSF20ATCY-E2 LE40SZSN40ATCY-E2

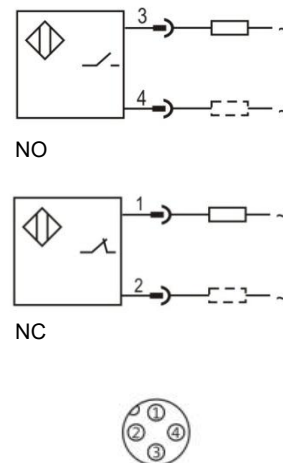
Technical specifications

Mounting	Quasi -flush	Non-flush	Leakage current [Ir]	≤3mA
Rated distance [Sn]	20mm	40mm	Circuit protection
Assured distance [Sa]	0...16mm	0...32mm	Output indicator	Yellow LED
Dimensions	40mm*40mm*66mm		Ambient temperature	-25°C...70°C
Output	NO/NC(depends on part number)		Ambient humidity	35-95%RH
Supply voltage	20...250 VAC		Switching frequency [F]	20 Hz
Standard target	Fe 75*75*1t	Fe 120*120*1t	Voltage withstand	1000V/AC 50/60Hz 60S
Switch-point drifts[%/Sr]	≤±10%		Insulation resistance	≥50MΩ (500VDC)
Hysteresis range [%/Sr]	1...20%		Vibration resistance	10...50Hz (1.5mm)
Repeat accuracy [R]	≤3%		Degree of protection	IP67
Load current	≤300mA		Housing material	PBT
Residual voltage	≤10V		Connection type	M12 connector

Dimensions



Wiring diagram



Plastic square shape inductive sensors **LE40SZ** series



Features

- ◆ Extended sensing distance;
- ◆ ASIC design, safe and reliable;
- ◆ Perfect choice for metallic target detection;



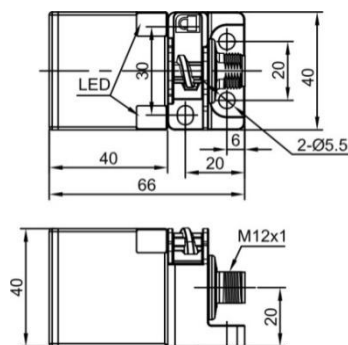
Part number

AC/DC 2wires NO	LE40SZSF20SBOY-E2	LE40SZSN40SBOY-E2	AC/DC 2wires NO/NC	LE40SZSF20SBBY-E2	LE40SZSN40SBBY-E2
AC/DC 2wires NC	LE40SZSF20SBCY-E2	LE40SZSN40SBCY-E2			

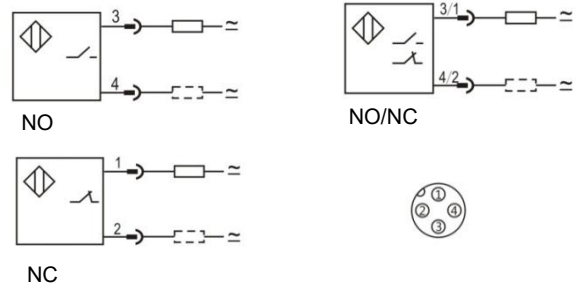
Technical specifications

Mounting	Quasi -flush	Non-flush	Leakage current [Ir]	AC: ≤3mA	DC: ≤1mA
Rated distance [Sn]	20mm	40mm	Circuit protection	
Assured distance [Sa]	0...16mm	0...32mm	Indicator	Yellow LED	
Dimensions	40 mm *40 mm *66mm		Ambient temperature	-25°C...70°C	
Output	NO/NC(depends on part number)		Ambient humidity	35-95%RH	
Supply voltage	20...250V AC/DC		Switching frequency [F]	AC:20 Hz	DC: 100 Hz
Standard target	Fe 60*60*1t	Fe 120*120*1t	Voltage withstand	1000V/AC 50/60Hz 60S	
Switch-point drifts[%/Sr]	≤ ±10%		Insulation resistance	≥50MΩ (500VDC)	
Hysteresis range [%/Sr]	1...20%		Vibration resistance	10...50Hz (1.5mm)	
Repeat accuracy [R]	≤3%		Degree of protection	IP67	
Load current	AC: ≤300mA	DC: ≤100mA	Housing material	PBT	
Residual voltage	AC: ≤10V	DC: ≤8V	Connection type	M12 connector	

Dimensions



Wiring diagram



Plastic square shape inductive sensors **LE20** series



Features

- ◆ Non contact detection, safe and reliable;
- ◆ ASIC design;
- ◆ Perfect choice for metallic target detection;



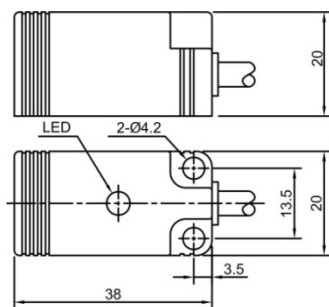
Part number

AC 2 wires NO	LE20SF05ATO	LE20SN08ATO	AC 2 wires NC	LE20SF05ATC	LE20SN08ATC
---------------	-------------	-------------	---------------	-------------	-------------

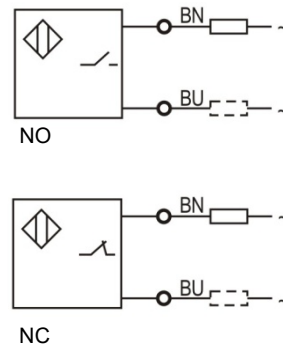
Technical specifications

Mounting	Flush	Non-flush	Leakage current [I _r]	≤3mA
Rated distance [S _n]	5mm	8mm	Circuit protection
Assured distance [S _a]	0...4mm	0...6.4mm	Output indicator	Yellow LED
Dimensions	20 *20 *38 mm		Ambient temperature	-25°C...70°C
Output	NO/NC(depends on part number)		Ambient humidity	35-95%RH
Supply voltage	20...250V AC		Switching frequency [F]	20 Hz 20 Hz
Standard target	Fe 20*20*1t	Fe 24*24*1t	Voltage withstand	1000V/AC 50/60Hz 60S
Switch-point drifts [%/Sr]	≤ ± 10%		Insulation resistance	≥50MΩ (500VDC)
Hysteresis range [%/Sr]	1...20%		Vibration resistance	10...50Hz (1.5mm)
Repeat accuracy [R]	≤3%		Degree of protection	IP67
Load current	≤200mA		Housing material	PBT
Residual voltage	≤10V		Connection type	2m PVC cable

Dimensions



Wiring diagram



Plastic square shape inductive sensors **LE18** series



Features

- ◆ Non contact detection, safe and reliable;
- ◆ ASIC design;
- ◆ Perfect choice for metallic targets detection;



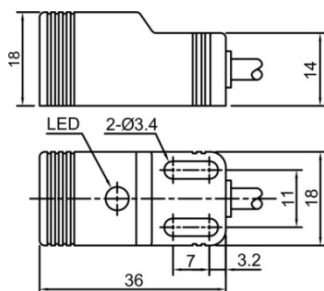
Part number

DC 2 wires NO	LE18SF05DLO	LE18SN08DLO	DC 2 wires NC	LE18SF05DLC	LE18SN08DLC
---------------	-------------	-------------	---------------	-------------	-------------

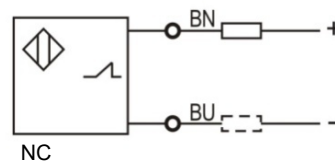
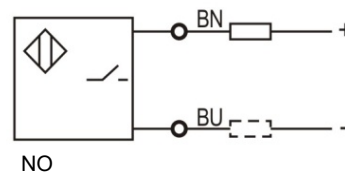
Technical specifications

Mounting	Flush	Non-flush	Leakage current [Ir]	≤1mA	
Rated distance [Sn]	5mm	8mm	Circuit protection	Reverse polarity protection	
Assured distance [Sa]	0...4mm	0...6.4mm	Output indicator	Yellow LED	
Dimensions	18*18 *36 mm		Ambient temperature	-25°C...70°C	
Output	NO/NC(depends on part number)		Ambient humidity	35-95%RH	
Supply voltage	10...30 VDC		Switching frequency [F]	500 Hz	300 Hz
Standard target	Fe 18*18*1t	Fe 24*24*1t	Voltage withstand	1000V/AC 50/60Hz 60s	
Switch-point drifts [%/Sr]	≤ ± 10%		Insulation resistance	≥50MΩ (500VDC)	
Hysteresis range [%/Sr]	1...20%		Vibration resistance	10...50Hz (1.5mm)	
Repeat accuracy [R]	≤3%		Degree of protection	IP67	
Load current	≤100mA		Housing material	PBT	
Residual voltage	≤8V		Connection type	2m PVC cable	

Dimensions



Wiring diagram



Plastic square shape inductive sensors **LE18** series



Features

- ◆ Non contact detection, safe and reliable;
- ◆ ASIC design;
- ◆ Perfect choice for metallic target detection;



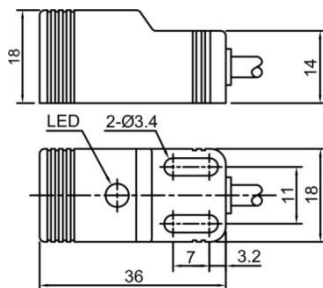
Part number

AC 2 wires NO	LE18SF05BTO	LE18SN08BTO	AC 2 wires NC	LE18SF05BTC	LE18SN08BTC
---------------	-------------	-------------	---------------	-------------	-------------

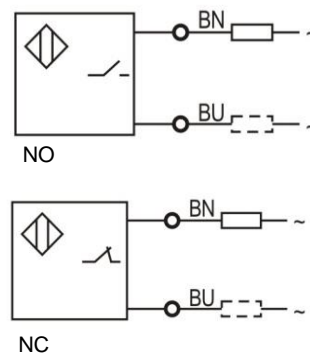
Technical specifications

Mounting	Flush	Non-flush	Leakage current [Ir]	≤3mA
Rated distance [Sn]	5mm	8mm	Circuit protection
Assured distance [Sa]	0...4mm	0...6.4mm	Output indicator	Yellow LED
Dimensions	18 *18 *36 mm		Ambient temperature	-25°C...70°C
Output	NO/NC(depends on part number)		Ambient humidity	35-95%RH
Supply voltage	90...250V		Switching frequency [F]	20 Hz 20 Hz
Standard target	Fe 18*18*1t	Fe 24*24*1t	Voltage withstand	1000V/AC 50/60Hz 60S
Switch-point drifts [%/Sr]	≤ ± 10%		Insulation resistance	≥50MΩ (500VDC)
Hysteresis range [%/Sr]	1...20%		Vibration resistance	10...50Hz (1.5mm)
Repeat accuracy [R]	≤3%		Degree of protection	IP67
Load current	≤200mA		Housing material	PBT
Residual voltage	≤10V		Connection type	2m PVC cable

Dimensions



Wiring diagram



Plastic square shape inductive sensors **LE17** series



Features

- ◆ Non contact detection, safe and reliable;
- ◆ ASIC design;
- ◆ Perfect choice for metallic targets detection;



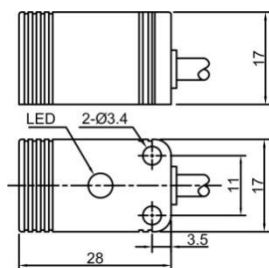
Part number

NPN NO	LE17SF05DNO	LE17SN08DNO	PNP NO	LE17SF05DPO	LE17SN08DPO
NPN NC	LE17SF05DNC	LE17SN08DNC	PNP NC	LE17SF05DPC	LE17SN08DPC

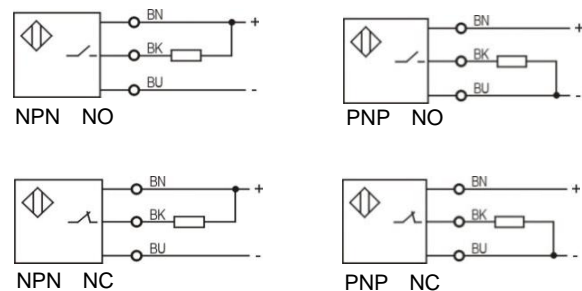
Technical specifications

Mounting	Flush	Non-flush	Current consumption	≤10mA	
Rated distance [Sn]	5mm	8mm	Circuit protection	Short-circuit, overload and reverse polarity	
Assured distance [Sa]	0...4mm	0...6.4mm	Output indicator	Yellow LED	
Dimensions	17 *17 *28 mm		Ambient temperature	-25°C...70°C	
Output	NO/NC(depends on part number)		Ambient humidity	35-95%RH	
Supply voltage	10...30 VDC		Switching frequency [F]	700 Hz	500Hz
Standard target	Fe 17*17*1t	Fe 24*24*1t	Voltage withstand	1000V/AC 50/60Hz 60s	
Switch-point drifts [%/Sr]	≤ ± 10%		Insulation resistance	≥50MΩ(500VDC)	
Hysteresis range [%/Sr]	1...20%		Vibration resistance	10...50Hz (1.5mm)	
Repeat accuracy [R]	≤ 3%		Degree of protection	IP67	
Load current	≤ 100mA		Housing material	PBT	
Residual voltage	≤ 2.5V		Connection type	2m PVC cable	

Dimensions



Wiring diagram



Plastic square shape inductive sensors **LE17** series



Features

- ◆ ASIC design;
- ◆ Non contact detection, safe and reliable;
- ◆ Perfect choice for metallic targets detection;



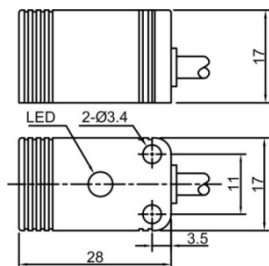
Part number

DC 2 wires NO	LE17SF05DLO	LE17SN08DLO	DC 2 wires NC	LE17SF05DLC	LE17SN08DLC
---------------	-------------	-------------	---------------	-------------	-------------

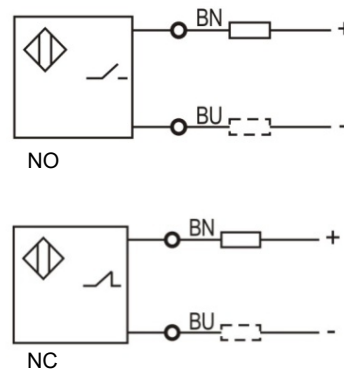
Technical specifications

Mounting	Flush	Non-flush	Leakage current [Ir]	≤1mA	
Rated distance [Sn]	5mm	8mm	Circuit protection	Reverse polarity protection	
Assured distance [Sa]	0...4mm	0...6.4mm	Output indicator	Yellow LED	
Dimensions	17*17*28mm		Ambient temperature	-25°C...70°C	
Output	NO/NC(depends on part number)		Ambient humidity	35-95%RH	
Supply voltage	10...30 VDC		Switching frequency [F]	500 Hz	300 Hz
Standard target	Fe 17*17*1t	Fe 24*24*1t	Voltage withstand	1000V/AC 50/60Hz 60s	
Switch-point drifts [%/Sr]	≤ ±10%		Insulation resistance	≥50MΩ (500VDC)	
Hysteresis range [%/Sr]	1...20%		Vibration resistance	10...50Hz (1.5mm)	
Repeat accuracy [R]	≤3%		Degree of protection	IP67	
Load current	≤100mA		Housing material	PBT	
Residual voltage	≤8V		Connection type	2m PVC cable	

Dimensions



Wiring diagram



Plastic square shape inductive sensors **LE17** series



Features

- ◆ Non contact detection, safe and reliable;
- ◆ ASIC design;
- ◆ Perfect choice for metallic target detection;



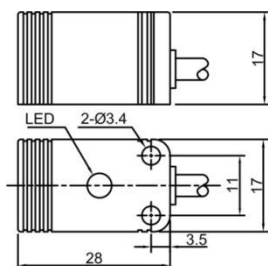
Part number

AC 2 wires NO	LE17SF05BTO	LE17SN08BTO	AC 2 wires NC	LE17SF05BTC	LE17SN08BTC
---------------	-------------	-------------	---------------	-------------	-------------

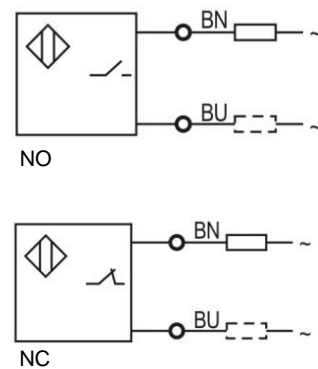
Technical specifications

Mounting	Flush	Non-flush	Leakage current [Ir]	≤3mA
Rated distance [Sn]	5mm	8mm	Circuit protection
Assured distance [Sa]	0...4mm	0...6.4mm	Output indicator	Yellow LED
Dimensions	17 *17 *28mm		Ambient temperature	-25°C...70°C
Output	NO/NC(depends on part number)		Ambient humidity	35-95%RH
Supply voltage	90...250V		Switching frequency [F]	20 Hz
Standard target	Fe 17*17*1t	Fe 24*24*1t	Voltage withstand	1000V/AC 50/60Hz 60S
Switch-point drifts [%/Sr]	≤ ± 10%		Insulation resistance	≥50MΩ (500VDC)
Hysteresis range [%/Sr]	1...20%		Vibration resistance	10...50Hz (1.5mm)
Repeat accuracy [R]	≤3%		Degree of protection	IP67
Load current	≤200mA		Housing material	PBT
Residual voltage	≤10V		Connection type	2m PVC cable

Dimensions



Wiring diagram



Inductive sensor LE12 series



Feature description

- Adopt non-contact detection method, safe and reliable, no wear
- Special ASIC technology, stable performance



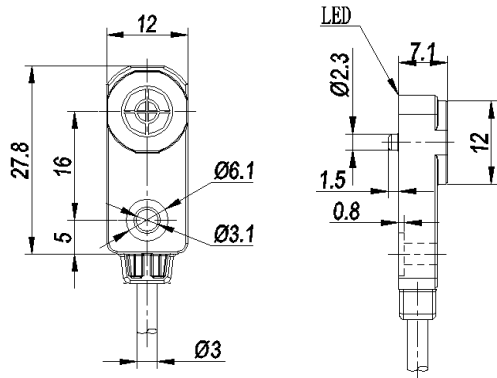
Part number

NPN NO	LE12SN04DNO	PNP NO	LE12SN04DPO
NPN NC	LE12SN04DNC	PNP NC	LE12SN04DPC

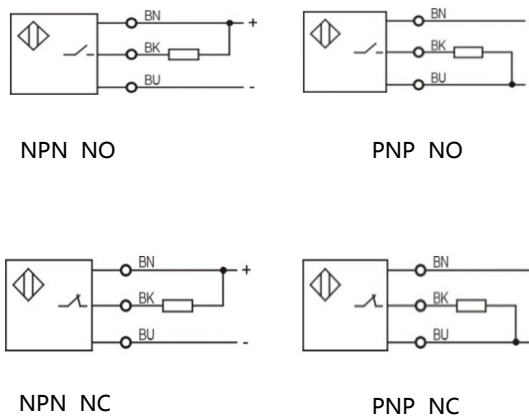
Specification

Mounting	Nonflush	Current consumption	≤15mA
Rated distance Sn	4mm	Protection circuit	Short circuit , overload and reverse polarity protection
Assured distance Sa	0...3.2mm	Output indication	Red LED
Shape size	27.8*12*7.1mm	Ambient temperature	-25□...70□
Output	NO/NC (Depends on part number)	Ambient humidity	35...95%RH
Supply voltage	10...30VDC	Switch frequency	800 Hz
Standard target	Fe 12*12*1t	Impact resistance	1000V/AC 50/60Hz 60s
Switch point offset [%/Sr]	±10%	Insulation resistance	≥50MΩ (500VDC)
Hysteresis range [%/Sr]	1...15%	Vibration resistance	Complex amplitude 1.5mm 10...50Hz (2H per X , Y , Z direction)
Repeat error	≤3%	Protection degree	IP67
Load current	≤100mA	Housing material	PC
Residual voltage	≤1V	Connection	2m PU cable

Dimension



Wiring



Plastic square shape inductive sensors **LE11** series


Features

- ◆ Non contact detection, safe and reliable;
- ◆ ASIC design;
- ◆ Perfect choice for metallic targets detection;



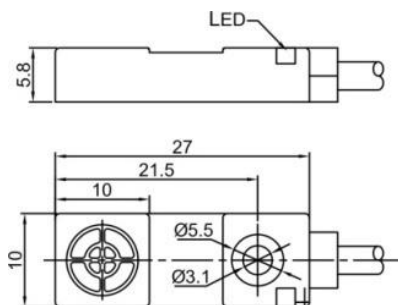
Part number

NPN NO	LE11SN03DNO	PNP NO	LE11SN03DPO
NPN NC	LE11SN03DNC	PNP NC	LE11SN03DPC

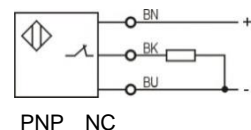
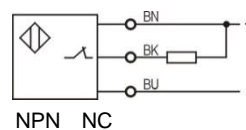
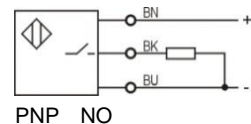
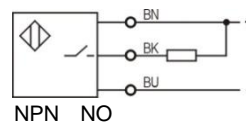
Technical specifications

Mounting	Non-flush	Current consumption	≤10mA
Rated distance [Sn]	3mm	Circuit protection	Short-circuit, overload and reverse polarity
Assured distance [Sa]	0...2.4mm	Output indicator	Red LED
Dimensions	5.8 * 10 * 27 mm	Ambient temperature	-25°C...70°C
Output	NO/NC(depends on part number)	Ambient humidity	35-95%RH
Supply voltage	10...30 VDC	Switching frequency [F]	1000 Hz
Standard target	Fe 10*10*1t	Voltage withstand	1000V/AC 50/60Hz 60s
Switch-point drifts [%/Sr]	≤ ± 10%	Insulation resistance	≥50MΩ(500VDC)
Hysteresis range [%/Sr]	1...20%	Vibration resistance	10...50Hz (1.5mm)
Repeat accuracy [R]	≤ 3%	Degree of protection	IP67
Load current	≤ 100mA	Housing material	PC
Residual voltage	≤ 2.5V	Connection type	2m PVC cable

Dimensions



Wiring diagram



Plastic square shape inductive sensors **LE10** series



Features

- ◆ Non contact detection, safe and reliable;
- ◆ ASIC design;
- ◆ Perfect choice for metallic targets detection;



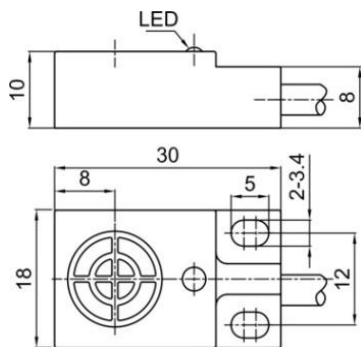
Part number

NPN NO	LE10SF05DNO	LE10SN08DNO	PNP NO	LE10SF05DPO	LE10SN08DPO
NPN NC	LE10SF05DNC	LE10SN08DNC	PNP NC	LE10SF05DPC	LE10SN08DPC

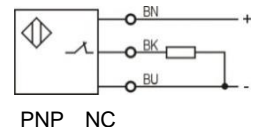
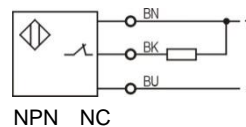
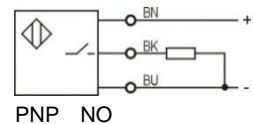
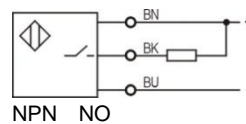
Technical specifications

Mounting	Flush	Non-flush	Current consumption	≤10mA	
Rated distance [Sn]	5mm	8mm	Circuit protection	Short-circuit, overload and reverse polarity	
Assured distance [Sa]	0...4mm	0...6.4mm	Output indicator	Yellow LED	
Dimensions	10*18 *30 mm		Ambient temperature	-25°C...70°C	
Output	NO/NC(depends on part number)		Ambient humidity	35-95%RH	
Supply voltage	10...30 VDC		Switching frequency [F]	1000 Hz	800Hz
Standard target	Fe 18*18*1t	Fe 24*24*1t	Voltage withstand	1000V/AC 50/60Hz 60s	
Switch-point drifts [%/Sr]	≤ ± 10%		Insulation resistance	≥50MΩ(500VDC)	
Hysteresis range [%/Sr]	1...20%		Vibration resistance	10...50Hz (1.5mm)	
Repeat accuracy [R]	≤ 3%		Degree of protection	IP67	
Load current	≤ 100mA		Housing material	PBT	
Residual voltage	≤ 2.5V		Connection type	2m PVC cable	

Dimensions



Wiring diagram



По вопросам продаж и поддержки обращайтесь:

Алматы (727)345-47-04
Ангарск (3955)60-70-56
Архангельск (8182)63-90-72
Астрахань (8512)99-46-04
Барнаул (3852)73-04-60
Белгород (4722)40-23-64
Благовещенск (4162)22-76-07
Брянск (4832)59-03-52
Владивосток (423)249-28-31
Владикавказ (8672)28-90-48
Владимир (4922)49-43-18
Волгоград (844)278-03-48
Вологда (8172)26-41-59
Воронеж (473)204-51-73
Екатеринбург (343)384-55-89

Иваново (4932)77-34-06
Ижевск (3412)26-03-58
Иркутск (395)279-98-46
Казань (843)206-01-48
Калининград (4012)72-03-81
Калуга (4842)92-23-67
Кемерово (3842)65-04-62
Киров (8332)68-02-04
Коломна (4966)23-41-49
Кострома (4942)77-07-48
Краснодар (861)203-40-90
Красноярск (391)204-63-61
Курск (4712)77-13-04
Курган (3522)50-90-47
Липецк (4742)52-20-81

Магнитогорск (3519)55-03-13
Москва (495)268-04-70
Мурманск (8152)59-64-93
Набережные Челны (8552)20-53-41
Новокузнецк (3843)20-46-81
Ноябрьск (3496)41-32-12
Новосибирск (383)227-86-73
Омск (3812)21-46-40
Орел (4862)44-53-42
Оренбург (3532)37-68-04
Пенза (8412)22-31-16
Петрозаводск (8142)55-98-37
Псков (8112)59-10-37
Пермь (342)205-81-47

Ростов-на-Дону (863)308-18-15
Рязань (4912)46-61-64
Самара (846)206-03-16
Санкт-Петербург (812)309-46-40
Саратов (845)249-38-78
Севастополь (8692)22-31-93
Саранск (8342)22-96-24
Симферополь (3652)67-13-56
Смоленск (4812)29-41-54
Сочи (862)225-72-31
Ставрополь (8652)20-65-13
Сургут (3462)77-98-35
Сыктывкар (8212)25-95-17
Тамбов (4752)50-40-97
Тверь (4822)63-31-35

Тольятти (8482)63-91-07
Томск (3822)98-41-53
Тула (4872)33-79-87
Тюмень (3452)66-21-18
Ульяновск (8422)24-23-59
Улан-Удэ (3012)59-97-51
Уфа (347)229-48-12
Хабаровск (4212)92-98-04
Чебоксары (8352)28-53-07
Челябинск (351)202-03-61
Череповец (8202)49-02-64
Чита (3022)38-34-83
Якутск (4112)23-90-97
Ярославль (4852)69-52-93

Россия +7(495)268-04-70

Казахстан +(727)345-47-04

Беларусь +(375)257-127-884

Узбекистан +998(71)205-18-59

Киргизия +996(312)96-26-47

эл.почта: ahj@nt-rt.ru || сайт: <https://lanbao.nt-rt.ru/>