

# Индуктивные датчики с аналоговым выходом LE

## Технические характеристики

По вопросам продаж и поддержки обращайтесь:

Алматы (727)345-47-04  
Ангарск (3955)60-70-56  
Архангельск (8182)63-90-72  
Астрахань (8512)99-46-04  
Барнаул (3852)73-04-60  
Белгород (4722)40-23-64  
Благовещенск (4162)22-76-07  
Брянск (4832)59-03-52  
Владивосток (423)249-28-31  
Владикавказ (8672)28-90-48  
Владимир (4922)49-43-18  
Волгоград (844)278-03-48  
Вологда (8172)26-41-59  
Воронеж (473)204-51-73  
Екатеринбург (343)384-55-89

Иваново (4932)77-34-06  
Ижевск (3412)26-03-58  
Иркутск (395)279-98-46  
Казань (843)206-01-48  
Калининград (4012)72-03-81  
Калуга (4842)92-23-67  
Кемерово (3842)65-04-62  
Киров (8332)68-02-04  
Коломна (4966)23-41-49  
Кострома (4942)77-07-48  
Краснодар (861)203-40-90  
Красноярск (391)204-63-61  
Курск (4712)77-13-04  
Курган (3522)50-90-47  
Липецк (4742)52-20-81

Магнитогорск (3519)55-03-13  
Москва (495)268-04-70  
Мурманск (8152)59-64-93  
Набережные Челны (8552)20-53-41  
Нижний Новгород (831)429-08-12  
Новокузнецк (3843)20-46-81  
Ноябрьск (3496)41-32-12  
Новосибирск (383)227-86-73  
Омск (3812)21-46-40  
Орел (4862)44-53-42  
Оренбург (3532)37-68-04  
Пенза (8412)22-31-16  
Петрозаводск (8142)55-98-37  
Псков (8112)59-10-37  
Пермь (342)205-81-47

Ростов-на-Дону (863)308-18-15  
Рязань (4912)46-61-64  
Самара (846)206-03-16  
Санкт-Петербург (812)309-46-40  
Саратов (845)249-38-78  
Севастополь (8692)22-31-93  
Саранск (8342)22-96-24  
Симферополь (3652)67-13-56  
Смоленск (4812)29-41-54  
Сочи (862)225-72-31  
Ставрополь (8652)20-65-13  
Сургут (3462)77-98-35  
Сыктывкар (8212)25-95-17  
Тамбов (4752)50-40-97  
Тверь (4822)63-31-35

Тольятти (8482)63-91-07  
Томск (3822)98-41-53  
Тула (4872)33-79-87  
Тюмень (3452)66-21-18  
Ульяновск (8422)24-23-59  
Улан-Удэ (3012)59-97-51  
Уфа (347)229-48-12  
Хабаровск (4212)92-98-04  
Чебоксары (8352)28-53-07  
Челябинск (351)202-03-61  
Череповец (8202)49-02-64  
Чита (3022)38-34-83  
Якутск (4112)23-90-97  
Ярославль (4852)69-52-93

Россия +7(495)268-04-70

Казахстан +(727)345-47-04

Беларусь +(375)257-127-884

Узбекистан +998(71)205-18-59

Киргизия +996(312)96-26-47

эл.почта: [ahj@nt-rt.ru](mailto:ahj@nt-rt.ru) || сайт: <https://lanbao.nt-rt.ru/>

Plastic square shape inductive sensors **LE40SZ** series



Features

- ◆ Providing equivalent signal output along with target position;
- ◆ 0-10V, 0-20mA, 4-20mA analog output;
- ◆ Perfect choice for displacement and thickness measurement;



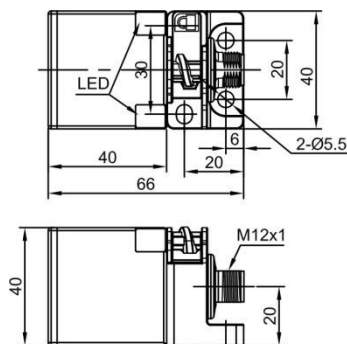
Part number

|        |                  |                  |                |                   |                   |
|--------|------------------|------------------|----------------|-------------------|-------------------|
| 0-10V  | LE40SZSF10LUM-E2 | LE40SZSN15LUM-E2 | 4-20mA         | LE40SZSF10LI4M-E2 | LE40SZSN15LI4M-E2 |
| 0-20mA | LE40SZSF10LIM-E2 | LE40SZSN15LIM-E2 | 0-10V + 0-20mA | LE40SZSF10LIUM-E2 | LE40SZSN15LIUM-E2 |

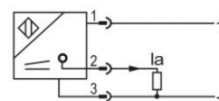
Technical specifications

|                            |                                     |             |                         |                             |       |
|----------------------------|-------------------------------------|-------------|-------------------------|-----------------------------|-------|
| Mounting                   | Flush                               | Non-flush   | Current consumption     | ≤20mA                       |       |
| Rated distance [Sn]        | 10mm                                | 15mm        | Circuit protection      | Reverse polarity protection |       |
| Sensing distance           | 2...10mm                            | 3...15mm    | Output indicator        | Yellow LED                  |       |
| Dimensions                 | 40*40*66mm                          |             | Ambient temperature     | -25°C...70°C                |       |
| Output                     | Current, voltage or current+voltage |             | Ambient humidity        | 35...95%RH                  |       |
| Supply voltage             | 15...30 VDC                         |             | Switching frequency [F] | 100 Hz                      | 50 Hz |
| Standard target            | Fe 40*40*1t                         | Fe 45*45*1t | Voltage withstand       | 1000V/AC 50/60Hz 60s        |       |
| Switch-point drifts [%/Sr] | ≤±10%                               |             | Insulation resistance   | ≥50MΩ(500VDC)               |       |
| Linearity                  | ≤±5%                                |             | Vibration resistance    | 10...50Hz (1.5mm)           |       |
| Repeat accuracy [R]        | ≤±3%                                |             | Degree of protection    | IP67                        |       |
| Load current               | Voltage output: ≥4.7KΩ              |             | Housing material        | PBT                         |       |
|                            | Current output: ≤470Ω               |             | Connection type         | M12 connector               |       |

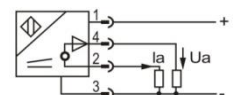
Dimensions



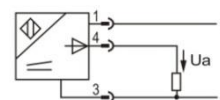
Wiring diagram



Current output



Current +Voltage output



Voltage output



Plastic square shape inductive sensors **LE80XZ** series



Features

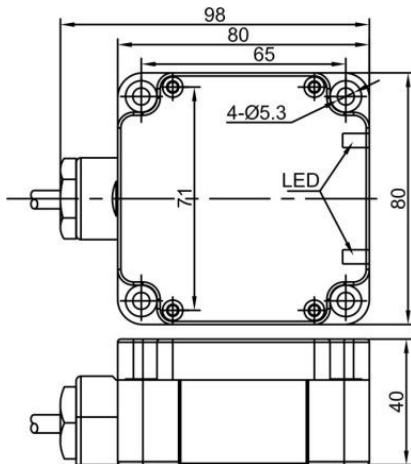
- ◆ Providing equivalent signal output along with target position;
- ◆ 0-10V, 0-20mA, 4-20mA analog output;
- ◆ Perfect choice for displacement and thickness measurement;



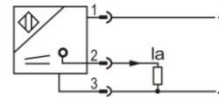
| Part number |                 |                 |                |                  |                  |
|-------------|-----------------|-----------------|----------------|------------------|------------------|
| 0-10V       | LE80XZSF40LUM-D | LE80XZSN50LUM-D | 4-20mA         | LE80XZSF40LI4M-D | LE80XZSN50LI4M-D |
| 0-20mA      | LE80XZSF40LIM-D | LE80XZSN50LIM-D | 0-10V + 0-20mA | LE80XZSF40LIUM-D | LE80XZSN50LIUM-D |

| Technical specifications   |                                     |               |                         |                             |       |
|----------------------------|-------------------------------------|---------------|-------------------------|-----------------------------|-------|
| Mounting                   | Flush                               | Non-flush     | Current consumption     | ≤20mA                       |       |
| Rated distance [Sn]        | 40mm                                | 50mm          | Circuit protection      | Reverse polarity protection |       |
| Sensing distance           | 8...40mm                            | 10...50mm     | Output indicator        | Yellow LED                  |       |
| Dimensions                 | 40*80*98mm                          |               | Ambient temperature     | -25°C...70°C                |       |
| Output                     | Current, voltage or current+voltage |               | Ambient humidity        | 35...95%RH                  |       |
| Supply voltage             | 15...30 VDC                         |               | Switching frequency [F] | 80 Hz                       | 40 Hz |
| Standard target            | Fe 120*120*1t                       | Fe 150*150*1t | Voltage withstand       | 1000V/AC 50/60Hz 60s        |       |
| Switch-point drifts [%/Sr] | ≤±10%                               |               | Insulation resistance   | ≥50MΩ(500VDC)               |       |
| Linearity                  | ≤±5%                                |               | Vibration resistance    | 10...50Hz (1.5mm)           |       |
| Repeat accuracy [R]        | ≤±3%                                |               | Degree of protection    | IP67                        |       |
| Load current               | Voltage output: ≥4.7KΩ              |               | Housing material        | PBT                         |       |
|                            | Current output: ≤470Ω               |               | Connection type         | Terminal                    |       |

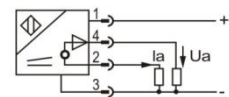
Dimensions



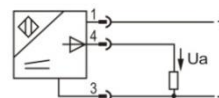
Wiring diagram



Current output



Current +Voltage output



Voltage output

Plastic square shape inductive sensors **LE40XZ** series



Features

- ◆ Providing equivalent signal output along with target position;
- ◆ 0-10V, 0-20mA, 4-20mA analog output;
- ◆ Perfect choice for displacement and thickness measurement;



| Part number |                 |                 |                |                  |                  |
|-------------|-----------------|-----------------|----------------|------------------|------------------|
| 0-10V       | LE40XZSF10LUM-D | LE40XZSN15LUM-D | 4-20mA         | LE40XZSF10LI4M-D | LE40XZSN15LI4M-D |
| 0-20mA      | LE40XZSF10LIM-D | LE40XZSN15LIM-D | 0-10V + 0-20mA | LE40XZSF10LIUM-D | LE40XZSN15LIUM-D |

| Technical specifications   |                                     |             |                         |                             |       |
|----------------------------|-------------------------------------|-------------|-------------------------|-----------------------------|-------|
| Mounting                   | Flush                               | Non-flush   | Current consumption     | ≤20mA                       |       |
| Rated distance [Sn]        | 10mm                                | 15mm        | Circuit protection      | Reverse polarity protection |       |
| Sensing distance           | 2...10mm                            | 3...15mm    | Output indicator        | Yellow LED                  |       |
| Dimensions                 | 40*40*140 mm                        |             | Ambient temperature     | -25°C...70°C                |       |
| Output                     | Current, voltage or current+voltage |             | Ambient humidity        | 35...95%RH                  |       |
| Supply voltage             | 15...30 VDC                         |             | Switching frequency [F] | 100 Hz                      | 50 Hz |
| Standard target            | Fe 40*40*1t                         | Fe 45*45*1t | Voltage withstand       | 1000V/AC 50/60Hz 60s        |       |
| Switch-point drifts [%/Sr] | ≤±10%                               |             | Insulation resistance   | ≥50MΩ(500VDC)               |       |
| Linearity                  | ≤±5%                                |             | Vibration resistance    | 10...50Hz (1.5mm)           |       |
| Repeat accuracy [R]        | ≤±3%                                |             | Degree of protection    | IP67                        |       |
| Load current               | Voltage output: ≥4.7KΩ              |             | Housing material        | PBT                         |       |
|                            | Current output: ≤470Ω               |             | Connection type         | Terminal                    |       |

| Dimensions | Wiring diagram   |
|------------|--|
|            | <p>Current output</p> <p>Current +Voltage output</p> <p>Voltage output</p> |

## По вопросам продаж и поддержки обращайтесь:

Алматы (727)345-47-04  
Ангарск (3955)60-70-56  
Архангельск (8182)63-90-72  
Астрахань (8512)99-46-04  
Барнаул (3852)73-04-60  
Белгород (4722)40-23-64  
Благовещенск (4162)22-76-07  
Брянск (4832)59-03-52  
Владивосток (423)249-28-31  
Владикавказ (8672)28-90-48  
Владимир (4922)49-43-18  
Волгоград (844)278-03-48  
Вологда (8172)26-41-59  
Воронеж (473)204-51-73  
Екатеринбург (343)384-55-89

Иваново (4932)77-34-06  
Ижевск (3412)26-03-58  
Иркутск (395)279-98-46  
Казань (843)206-01-48  
Калининград (4012)72-03-81  
Калуга (4842)92-23-67  
Кемерово (3842)65-04-62  
Киров (8332)68-02-04  
Коломна (4966)23-41-49  
Кострома (4942)77-07-48  
Краснодар (861)203-40-90  
Красноярск (391)204-63-61  
Курск (4712)77-13-04  
Курган (3522)50-90-47  
Липецк (4742)52-20-81

Магнитогорск (3519)55-03-13  
Москва (495)268-04-70  
Мурманск (8152)59-64-93  
Набережные Челны (8552)20-53-41  
Новокузнецк (3843)20-46-81  
Ноябрьск (3496)41-32-12  
Новосибирск (383)227-86-73  
Омск (3812)21-46-40  
Орел (4862)44-53-42  
Оренбург (3532)37-68-04  
Пенза (8412)22-31-16  
Петрозаводск (8142)55-98-37  
Псков (8112)59-10-37  
Пермь (342)205-81-47

Ростов-на-Дону (863)308-18-15  
Рязань (4912)46-61-64  
Самара (846)206-03-16  
Санкт-Петербург (812)309-46-40  
Саратов (845)249-38-78  
Севастополь (8692)22-31-93  
Саранск (8342)22-96-24  
Симферополь (3652)67-13-56  
Смоленск (4812)29-41-54  
Сочи (862)225-72-31  
Ставрополь (8652)20-65-13  
Сургут (3462)77-98-35  
Сыктывкар (8212)25-95-17  
Тамбов (4752)50-40-97  
Тверь (4822)63-31-35

Тольятти (8482)63-91-07  
Томск (3822)98-41-53  
Тула (4872)33-79-87  
Тюмень (3452)66-21-18  
Ульяновск (8422)24-23-59  
Улан-Удэ (3012)59-97-51  
Уфа (347)229-48-12  
Хабаровск (4212)92-98-04  
Чебоксары (8352)28-53-07  
Челябинск (351)202-03-61  
Череповец (8202)49-02-64  
Чита (3022)38-34-83  
Якутск (4112)23-90-97  
Ярославль (4852)69-52-93

**Россия** +7(495)268-04-70

**Казахстан** +(727)345-47-04

**Беларусь** +(375)257-127-884

**Узбекистан** +998(71)205-18-59

**Киргизия** +996(312)96-26-47

эл.почта: [ahj@nt-rt.ru](mailto:ahj@nt-rt.ru) || сайт: <https://lanbao.nt-rt.ru/>