

# Индуктивные датчики с аналоговым выходом LR

## Технические характеристики

По вопросам продаж и поддержки обращайтесь:

Алматы (727)345-47-04  
Ангарск (3955)60-70-56  
Архангельск (8182)63-90-72  
Астрахань (8512)99-46-04  
Барнаул (3852)73-04-60  
Белгород (4722)40-23-64  
Благовещенск (4162)22-76-07  
Брянск (4832)59-03-52  
Владивосток (423)249-28-31  
Владикавказ (8672)28-90-48  
Владимир (4922)49-43-18  
Волгоград (844)278-03-48  
Вологда (8172)26-41-59  
Воронеж (473)204-51-73  
Екатеринбург (343)384-55-89

Иваново (4932)77-34-06  
Ижевск (3412)26-03-58  
Иркутск (395)279-98-46  
Казань (843)206-01-48  
Калининград (4012)72-03-81  
Калуга (4842)92-23-67  
Кемерово (3842)65-04-62  
Киров (8332)68-02-04  
Коломна (4966)23-41-49  
Кострома (4942)77-07-48  
Краснодар (861)203-40-90  
Красноярск (391)204-63-61  
Курск (4712)77-13-04  
Курган (3522)50-90-47  
Липецк (4742)52-20-81

Магнитогорск (3519)55-03-13  
Москва (495)268-04-70  
Мурманск (8152)59-64-93  
Набережные Челны (8552)20-53-41  
Нижний Новгород (831)429-08-12  
Новокузнецк (3843)20-46-81  
Ноябрьск (3496)41-32-12  
Новосибирск (383)227-86-73  
Омск (3812)21-46-40  
Орел (4862)44-53-42  
Оренбург (3532)37-68-04  
Пенза (8412)22-31-16  
Петрозаводск (8142)55-98-37  
Псков (8112)59-10-37  
Пермь (342)205-81-47

Ростов-на-Дону (863)308-18-15  
Рязань (4912)46-61-64  
Самара (846)206-03-16  
Санкт-Петербург (812)309-46-40  
Саратов (845)249-38-78  
Севастополь (8692)22-31-93  
Саранск (8342)22-96-24  
Симферополь (3652)67-13-56  
Смоленск (4812)29-41-54  
Сочи (862)225-72-31  
Ставрополь (8652)20-65-13  
Сургут (3462)77-98-35  
Сыктывкар (8212)25-95-17  
Тамбов (4752)50-40-97  
Тверь (4822)63-31-35

Тольятти (8482)63-91-07  
Томск (3822)98-41-53  
Тула (4872)33-79-87  
Тюмень (3452)66-21-18  
Ульяновск (8422)24-23-59  
Улан-Удэ (3012)59-97-51  
Уфа (347)229-48-12  
Хабаровск (4212)92-98-04  
Чебоксары (8352)28-53-07  
Челябинск (351)202-03-61  
Череповец (8202)49-02-64  
Чита (3022)38-34-83  
Якутск (4112)23-90-97  
Ярославль (4852)69-52-93

Россия +7(495)268-04-70

Казахстан +(727)345-47-04

Беларусь +(375)257-127-884

Узбекистан +998(71)205-18-59

Киргизия +996(312)96-26-47

эл.почта: [ahj@nt-rt.ru](mailto:ahj@nt-rt.ru) || сайт: <https://lanbao.nt-rt.ru/>

Analog output type inductive sensors **LR30X** series



Features

- ◆ Providing equivalent signal output along with target position;
- ◆ 0-10V, 0-20mA, 4-20mA analog output;
- ◆ Perfect choice for displacement and thickness measurement;



Part number					
0-10V	LR30XCF10LUM	LR30XCN15LUM	4-20mA	LR30XCF10LI4M	LR30XCN15LI4M
0-20mA	LR30XCF10LIM	LR30XCN15LIM	0-10V + 0-20mA	LR30XCF10LIUM	LR30XCN15LIUM

Technical specifications					
Mounting	Flush	Non-flush	Current consumption	≤20mA	
Rated distance [Sn]	10mm	15mm	Circuit protection	Reverse polarity protection	
Sensing distance	2...10mm/3...15mm		Output indicator	Yellow LED	
Dimensions	M30*62mm	M30*74mm	Ambient temperature	-25°C...70°C	
Output	Current, voltage or current+voltage		Ambient humidity	35...95%RH	
Supply voltage	15...30 VDC		Switching frequency [F]	200 Hz	100 Hz
Standard target	Fe 30*30*1t	Fe 45*45*1t	Voltage withstand	1000V/AC 50/60Hz 60s	
Switch-point drifts [%/Sr]	≤±10%		Insulation resistance	≥50MΩ(500VDC)	
Linearity	≤±5%		Vibration resistance	10...50Hz (1.5mm)	
Repeat accuracy [R]	≤±3%		Degree of protection	IP67	
Load current	Voltage output: ≥4.7KΩ		Housing material	Nickel-copper alloy	
	Current output: ≤470Ω		Connection type	2m PVC cable	

Dimensions	Wiring diagram

Analog output type inductive sensors **LR30X** series



Features

- ◆ Providing equivalent signal output along with target position;
- ◆ 0-10V, 0-20mA, 4-20mA analog output;
- ◆ Perfect choice for displacement and thickness measurement;



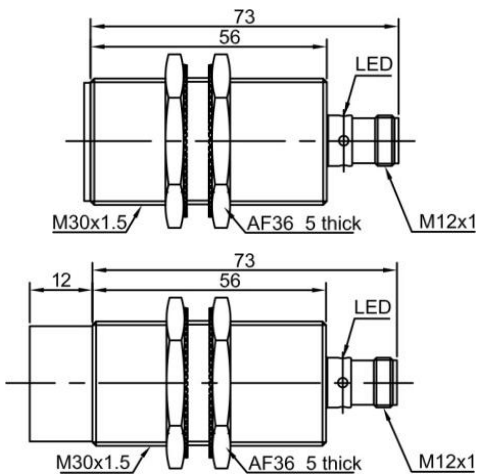
Part number

0-10V	LR30XCF10LUM-E2	LR30XCN15LUM-E2	4-20mA	LR30XCF10LI4M-E2	LR30XCN15LI4M-E2
0-20mA	LR30XCF10LIM-E2	LR30XCN15LIM-E2	0-10V + 0-20mA	LR30XCF10LIUM-E2	LR30XCN15LIUM-E2

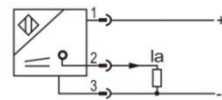
Technical specifications

Mounting	Flush	Non-flush	Current consumption	≤20mA
Rated distance [Sn]	10mm	15mm	Circuit protection	Reverse polarity protection
Sensing distance	2...10mm	3...15mm	Output indicator	Yellow LED
Dimensions	M30*73mm	M30*85 mm	Ambient temperature	-25°C...70°C
Output	Current, voltage or current+voltage		Ambient humidity	35...95%RH
Supply voltage	15...30 VDC		Switching frequency [F]	200 Hz      100 Hz
Standard target	Fe 30*30*1t	Fe 45*45*1t	Voltage withstand	1000V/AC 50/60Hz 60s
Switch-point drifts [%/Sr]	≤±10%		Insulation resistance	≥50MΩ(500VDC)
Linearity	≤±5%		Vibration resistance	10...50Hz (1.5mm)
Repeat accuracy [R]	≤±3%		Degree of protection	IP67
Load current	Voltage output: ≥4.7KΩ		Housing material	Nickel-copper alloy
	Current output: ≤470Ω		Connection type	M12 connector

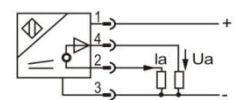
Dimensions



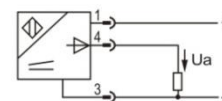
Wiring diagram



Current output



Current +Voltage output



Voltage output



Analog output type inductive sensors **LR18X** series



Features

- ◆ Providing equivalent signal output along with target position;
- ◆ 0-10V, 0-20mA, 4-20mA analog output;
- ◆ Perfect choice for displacement and thickness measurement;



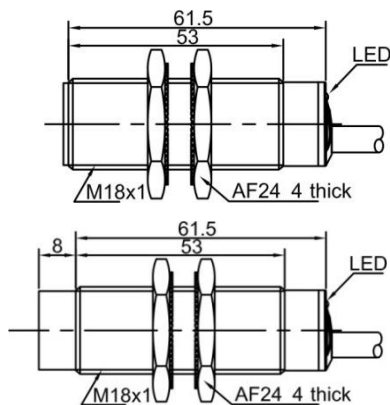
Part number

0-10V	LR18XCF05LUM	LR18XCN08LUM	4-20mA	LR18XCF05LI4M	LR18XCN08LI4M
0-20mA	LR18XCF05LIM	LR18XCN08LIM	0-10V + 0-20mA	LR18XCF05LIUM	LR18XCN08LIUM

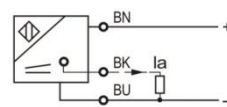
Technical specifications

Mounting	Flush	Non-flush	Current consumption	≤20mA	
Rated distance [Sn]	5mm	8mm	Circuit protection	Reverse polarity protection	
Sensing distance	1...5mm 1.6...8mm		Output indicator	Yellow LED	
Dimensions	M18*61.5mm	M18*69.5mm	Ambient temperature	-25°C...70°C	
Output	Current, voltage or current+voltage		Ambient humidity	35...95%RH	
Supply voltage	15...30 VDC		Switching frequency [F]	200 Hz	100 Hz
Standard target	Fe 18*18*1t	Fe 24*24*1t	Voltage withstand	1000V/AC 50/60Hz 60s	
Switch-point drifts [%/Sr]	≤±10%		Insulation resistance	≥50MΩ(500VDC)	
Linearity	≤±5%		Vibration resistance	10...50Hz (1.5mm)	
Repeat accuracy [R]	≤±3%		Degree of protection	IP67	
Load current	Voltage output: ≥4.7KΩ		Housing material	Nickel-copper alloy	
	Current output: ≤470Ω		Connection type	2m PVC cable	

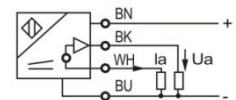
Dimensions



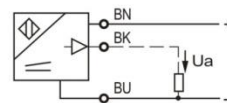
Wiring diagram



Current output



Current +Voltage output



Voltage output

Analog output type inductive sensors **LR18X** series



Features

- ◆ Providing equivalent signal output along with target position;
- ◆ 0-10V, 0-20mA, 4-20mA analog output;
- ◆ Perfect choice for displacement and thickness measurement;



Part number					
0-10V	LR18XCF05LUM-E2	LR18XCN08LUM-E2	4-20mA	LR18XCF05LI4M-E2	LR18XCN08LI4M-E2
0-20mA	LR18XCF05LIM-E2	LR18XCN08LIM-E2	0-10V + 0-20mA	LR18XCF05LIUM-E2	LR18XCN08LIUM-E2

Technical specifications					
Mounting	Flush	Non-flush	Current consumption	≤20mA	
Rated distance [Sn]	5mm	8mm	Circuit protection	Reverse polarity protection	
Sensing distance	1...5mm	1.6...8mm	Output indicator	Yellow LED	
Dimensions	M18*73mm	M18*81 mm	Ambient temperature	-25°C...70°C	
Output	Current, voltage or current+voltage		Ambient humidity	35...95%RH	
Supply voltage	15...30 VDC		Switching frequency [F]	200 Hz	100 Hz
Standard target	Fe 18*18*1t	Fe 24*24*1t	Voltage withstand	1000V/AC 50/60Hz 60s	
Switch-point drifts [%/Sr]	≤±10%		Insulation resistance	≥50MΩ(500VDC)	
Linearity	≤±5%		Vibration resistance	10...50Hz (1.5mm)	
Repeat accuracy [R]	≤±3%		Degree of protection	IP67	
Load current	Voltage output: ≥4.7KΩ		Housing material	Nickel-copper alloy	
	Current output: ≤470Ω		Connection type	M12 connector	

Dimensions	Wiring diagram

Analog output type inductive sensors **LR12X** series



Features

- ◆ Providing equivalent signal output along with target position;
- ◆ 0-10V, 0-20mA, 4-20mA analog output;
- ◆ Perfect choice for displacement and thickness measurement;



Part number					
0-10V	LR12XCF02LUM	LR12XCN04LUM	4-20mA	LR12XCF02LI4M	LR12XCN04LI4M
0-20mA	LR12XCF02LIM	LR12XCN04LIM	0-10V + 0-20mA	LR12XCF02LIUM	LR12XCN04LIUM

Technical specifications					
Mounting	Flush	Non-flush	Current consumption	≤20mA	
Rated distance [Sn]	2mm	4mm	Circuit protection	Reverse polarity protection	
Sensing distance	0.4...2mm	0.8...4mm	Output indicator	Yellow LED	
Dimensions	M12*61mm	M12*65mm	Ambient temperature	-25°C...70°C	
Output	Current, voltage or current+voltage		Ambient humidity	35...95%RH	
Supply voltage	15...30 VDC		Switching frequency [F]	200 Hz	100 Hz
Standard target	Fe 12*12*1t	Fe 12*12*1t	Voltage withstand	1000V/AC 50/60Hz 60s	
Switch-point drifts [%/Sr]	≤±10%		Insulation resistance	≥50MΩ(500VDC)	
Linearity	≤±5%		Vibration resistance	10...50Hz (1.5mm)	
Repeat accuracy [R]	≤±3%		Degree of protection	IP67	
Load current	Voltage output: ≥4.7KΩ		Housing material	Nickel-copper alloy	
	Current output: ≤470Ω		Connection type	2m PVC cable	

Dimensions	Wiring diagram

Analog output type inductive sensors **LR12X** series



Features

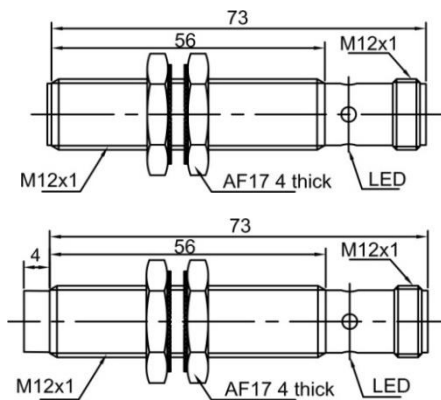
- ◆ Providing equivalent signal output along with target position;
- ◆ 0-10V, 0-20mA, 4-20mA analog output;
- ◆ Perfect choice for displacement and thickness measurement;



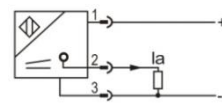
Part number					
0-10V	LR12XCF02LUM-E2	LR12XCN04LUM-E2	4-20mA	LR12XCF02LI4M-E2	LR12XCN04LI4M-E2
0-20mA	LR12XCF02LIM-E2	LR12XCN04LIM-E2	0-10V + 0-20mA	LR12XCF02LIUM-E2	LR12XCN04LIUM-E2

Technical specifications					
Mounting	Flush	Non-flush	Current consumption	≤20mA	
Rated distance [Sn]	2mm	4mm	Circuit protection	Reverse polarity protection	
Sensing distance	0.4...2mm	0.8...4mm	Output indicator	Yellow LED	
Dimensions	M12*73mm	M12*77mm	Ambient temperature	-25°C...70°C	
Output	Current, voltage or current+voltage		Ambient humidity	35...95%RH	
Supply voltage	15...30 VDC		Switching frequency [F]	200 Hz	100 Hz
Standard target	Fe 12*12*1t	Fe 12*12*1t	Voltage withstand	1000V/AC 50/60Hz 60s	
Switch-point drifts [%/Sr]	≤±10%		Insulation resistance	≥50MΩ(500VDC)	
Linearity	≤±5%		Vibration resistance	10...50Hz (1.5mm)	
Repeat accuracy [R]	≤±3%		Degree of protection	IP67	
Load current	Voltage output: ≥4.7KΩ		Housing material	Nickel-copper alloy	
	Current output: ≤470Ω		Connection type	M12 connector	

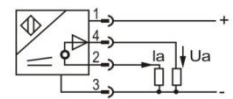
Dimensions



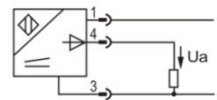
Wiring diagram



Current output



Current +Voltage output



Voltage output



## По вопросам продаж и поддержки обращайтесь:

Алматы (727)345-47-04  
Ангарск (3955)60-70-56  
Архангельск (8182)63-90-72  
Астрахань (8512)99-46-04  
Барнаул (3852)73-04-60  
Белгород (4722)40-23-64  
Благовещенск (4162)22-76-07  
Брянск (4832)59-03-52  
Владивосток (423)249-28-31  
Владикавказ (8672)28-90-48  
Владимир (4922)49-43-18  
Волгоград (844)278-03-48  
Вологда (8172)26-41-59  
Воронеж (473)204-51-73  
Екатеринбург (343)384-55-89

Иваново (4932)77-34-06  
Ижевск (3412)26-03-58  
Иркутск (395)279-98-46  
Казань (843)206-01-48  
Калининград (4012)72-03-81  
Калуга (4842)92-23-67  
Кемерово (3842)65-04-62  
Киров (8332)68-02-04  
Коломна (4966)23-41-49  
Кострома (4942)77-07-48  
Краснодар (861)203-40-90  
Красноярск (391)204-63-61  
Курск (4712)77-13-04  
Курган (3522)50-90-47  
Липецк (4742)52-20-81

Магнитогорск (3519)55-03-13  
Москва (495)268-04-70  
Мурманск (8152)59-64-93  
Набережные Челны (8552)20-53-41  
Новокузнецк (3843)20-46-81  
Ноябрьск (3496)41-32-12  
Новосибирск (383)227-86-73  
Омск (3812)21-46-40  
Орел (4862)44-53-42  
Оренбург (3532)37-68-04  
Пенза (8412)22-31-16  
Петрозаводск (8142)55-98-37  
Псков (8112)59-10-37  
Пермь (342)205-81-47

Ростов-на-Дону (863)308-18-15  
Рязань (4912)46-61-64  
Самара (846)206-03-16  
Санкт-Петербург (812)309-46-40  
Саратов (845)249-38-78  
Севастополь (8692)22-31-93  
Саранск (8342)22-96-24  
Симферополь (3652)67-13-56  
Смоленск (4812)29-41-54  
Сочи (862)225-72-31  
Ставрополь (8652)20-65-13  
Сургут (3462)77-98-35  
Сыктывкар (8212)25-95-17  
Тамбов (4752)50-40-97  
Тверь (4822)63-31-35

Тольятти (8482)63-91-07  
Томск (3822)98-41-53  
Тула (4872)33-79-87  
Тюмень (3452)66-21-18  
Ульяновск (8422)24-23-59  
Улан-Удэ (3012)59-97-51  
Уфа (347)229-48-12  
Хабаровск (4212)92-98-04  
Чебоксары (8352)28-53-07  
Челябинск (351)202-03-61  
Череповец (8202)49-02-64  
Чита (3022)38-34-83  
Якутск (4112)23-90-97  
Ярославль (4852)69-52-93

**Россия** +7(495)268-04-70

**Казахстан** +(727)345-47-04

**Беларусь** +(375)257-127-884

**Узбекистан** +998(71)205-18-59

**Киргизия** +996(312)96-26-47

эл.почта: [ahj@nt-rt.ru](mailto:ahj@nt-rt.ru) || сайт: <https://lanbao.nt-rt.ru/>