

# Высокотемпературные индуктивные датчики LR

## Технические характеристики

По вопросам продаж и поддержки обращайтесь:

Алматы (727)345-47-04  
Ангарск (3955)60-70-56  
Архангельск (8182)63-90-72  
Астрахань (8512)99-46-04  
Барнаул (3852)73-04-60  
Белгород (4722)40-23-64  
Благовещенск (4162)22-76-07  
Брянск (4832)59-03-52  
Владивосток (423)249-28-31  
Владикавказ (8672)28-90-48  
Владимир (4922)49-43-18  
Волгоград (844)278-03-48  
Вологда (8172)26-41-59  
Воронеж (473)204-51-73  
Екатеринбург (343)384-55-89

Иваново (4932)77-34-06  
Ижевск (3412)26-03-58  
Иркутск (395)279-98-46  
Казань (843)206-01-48  
Калининград (4012)72-03-81  
Калуга (4842)92-23-67  
Кемерово (3842)65-04-62  
Киров (8332)68-02-04  
Коломна (4966)23-41-49  
Кострома (4942)77-07-48  
Краснодар (861)203-40-90  
Красноярск (391)204-63-61  
Курск (4712)77-13-04  
Курган (3522)50-90-47  
Липецк (4742)52-20-81

Магнитогорск (3519)55-03-13  
Москва (495)268-04-70  
Мурманск (8152)59-64-93  
Набережные Челны (8552)20-53-41  
Нижний Новгород (831)429-08-12  
Новокузнецк (3843)20-46-81  
Ноябрьск (3496)41-32-12  
Новосибирск (383)227-86-73  
Омск (3812)21-46-40  
Орел (4862)44-53-42  
Оренбург (3532)37-68-04  
Пенза (8412)22-31-16  
Петрозаводск (8142)55-98-37  
Псков (8112)59-10-37  
Пермь (342)205-81-47

Ростов-на-Дону (863)308-18-15  
Рязань (4912)46-61-64  
Самара (846)206-03-16  
Санкт-Петербург (812)309-46-40  
Саратов (845)249-38-78  
Севастополь (8692)22-31-93  
Саранск (8342)22-96-24  
Симферополь (3652)67-13-56  
Смоленск (4812)29-41-54  
Сочи (862)225-72-31  
Ставрополь (8652)20-65-13  
Сургут (3462)77-98-35  
Сыктывкар (8212)25-95-17  
Тамбов (4752)50-40-97  
Тверь (4822)63-31-35

Тольятти (8482)63-91-07  
Томск (3822)98-41-53  
Тула (4872)33-79-87  
Тюмень (3452)66-21-18  
Ульяновск (8422)24-23-59  
Улан-Удэ (3012)59-97-51  
Уфа (347)229-48-12  
Хабаровск (4212)92-98-04  
Чебоксары (8352)28-53-07  
Челябинск (351)202-03-61  
Череповец (8202)49-02-64  
Чита (3022)38-34-83  
Якутск (4112)23-90-97  
Ярославль (4852)69-52-93

Россия +7(495)268-04-70

Казахстан +(727)345-47-04

Беларусь +(375)257-127-884

Узбекистан +998(71)205-18-59

Киргизия +996(312)96-26-47

эл.почта: [ahj@nt-rt.ru](mailto:ahj@nt-rt.ru) || сайт: <https://lanbao.nt-rt.ru/>

Metal cylindrical shape inductive sensors **LR30X** series



Features

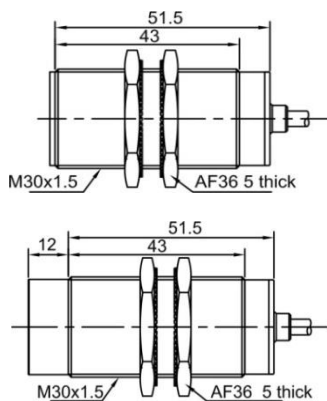
- ◆ Special compensating circuit design,;
- ◆ Wider tempature range -25~+120°C;
- ◆ Perfect choice for metal casting and glass industry etc;



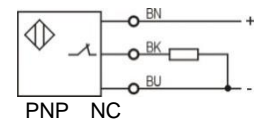
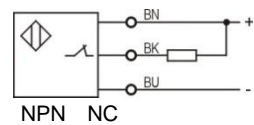
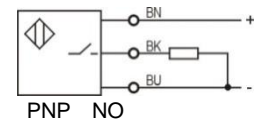
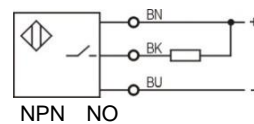
| Part number |               |               |        |               |               |  |
|-------------|---------------|---------------|--------|---------------|---------------|--|
| NPN NO      | LR30XBF10DNOW | LR30XBN15DNOW | PNP NO | LR30XBF10DPOW | LR30XBN15DPOW |  |
| NPN NC      | LR30XBF10DNCW | LR30XBN15DNCW | PNP NC | LR30XBF10DPCW | LR30XBN15DPCW |  |

| Technical specifications  |                               |             |                         |                      |        |
|---------------------------|-------------------------------|-------------|-------------------------|----------------------|--------|
| Mounting                  | Flush                         | Non-flush   | Current consumption     | ≤15mA                |        |
| Rated distance [Sn]       | 10mm                          | 15mm        | Circuit protection      | Reverse polarity     |        |
| Assured distance [Sa]     | 0...8mm                       | 0...12mm    | Output indicator        | .....                |        |
| Dimensions                | M30*51.5mm                    | M30*63.5mm  | Ambient temperature     | -25°C...+120°C       |        |
| Output                    | NO/NC(depends on part number) |             | Ambient humidity        | 35...95%RH           |        |
| Supply voltage            | 10...30 VDC                   |             | Switching frequency [F] | 500 Hz               | 300 Hz |
| Standard target           | Fe 30*30*1t                   | Fe 45*45*1t | Voltage withstand       | 1000V/AC 50/60Hz 60s |        |
| Switch-point drifts[%/Sr] | ≤±10%                         |             | Insulation resistance   | ≥50MΩ(500VDC)        |        |
| Hysteresis range [%/Sr]   | 1...20%                       |             | Vibration resistance    | 10...50Hz (1.5mm)    |        |
| Repeat accuracy [R]       | ≤5%                           |             | Degree of protection    | IP67                 |        |
| Load current              | ≤100mA                        |             | Housing material        | Nickel-copper alloy  |        |
| Residual voltage          | ≤2.5V                         |             | Connection type         | 2m silicone cable    |        |

Dimensions



Wiring diagram



Metal cylindrical shape inductive sensors **LR30X** series



Features

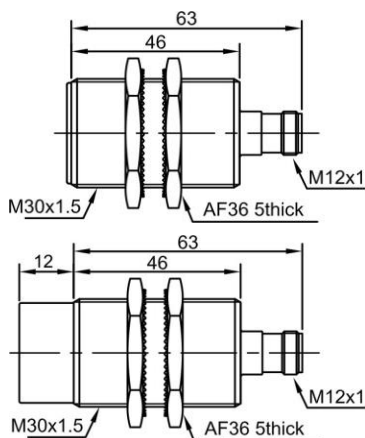
- ◆ Special compensating circuit design,;
- ◆ Wider temperature range -25~+120°C;
- ◆ Perfect choice for metal casting and glass industry etc;



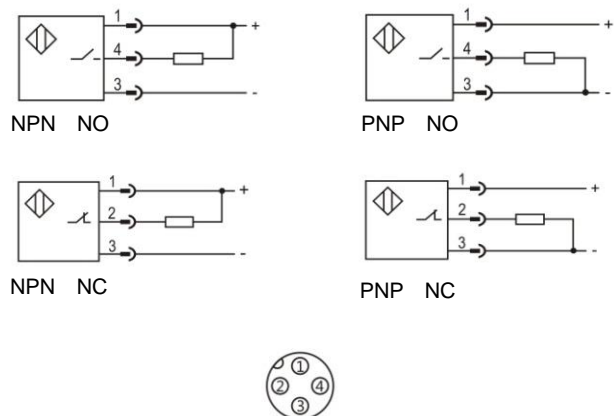
| Part number |                  |                  |        |                  |                  |  |  |
|-------------|------------------|------------------|--------|------------------|------------------|--|--|
| NPN NO      | LR30XBF10DNOW-E2 | LR30XBN15DNOW-E2 | PNP NO | LR30XBF10DPOW-E2 | LR30XBN15DPOW-E2 |  |  |
| NPN NC      | LR30XBF10DNCW-E2 | LR30XBN15DNCW-E2 | PNP NC | LR30XBF10DPCW-E2 | LR30XBN15DPCW-E2 |  |  |

| Technical specifications  |                               |             |                         |                      |        |  |  |
|---------------------------|-------------------------------|-------------|-------------------------|----------------------|--------|--|--|
| Mounting                  | Flush                         | Non-flush   | Current consumption     | ≤15mA                |        |  |  |
| Rated distance [Sn]       | 10mm                          | 15mm        | Circuit protection      | Reverse polarity     |        |  |  |
| Assured distance [Sa]     | 0...8mm                       | 0...12mm    | Output indicator        | .....                |        |  |  |
| Dimensions                | M30*63mm                      | M30*75mm    | Ambient temperature     | -25°C...+120°C       |        |  |  |
| Output                    | NO/NC(depends on part number) |             | Ambient humidity        | 35...95%RH           |        |  |  |
| Supply voltage            | 10...30 VDC                   |             | Switching frequency [F] | 500 Hz               | 300 Hz |  |  |
| Standard target           | Fe 30*30*1t                   | Fe 45*45*1t | Voltage withstand       | 1000V/AC 50/60Hz 60s |        |  |  |
| Switch-point drifts[%/Sr] | ≤ ± 10%                       |             | Insulation resistance   | ≥50MΩ(500VDC)        |        |  |  |
| Hysteresis range [%/Sr]   | 1...20%                       |             | Vibration resistance    | 10...50Hz (1.5mm)    |        |  |  |
| Repeat accuracy [R]       | ≤ 5%                          |             | Degree of protection    | IP67                 |        |  |  |
| Load current              | ≤ 100mA                       |             | Housing material        | Nickel-copper alloy  |        |  |  |
| Residual voltage          | ≤ 2.5V                        |             | Connection type         | M12 connector        |        |  |  |

Dimensions



Wiring diagram



Metal cylindrical shape inductive sensors **LR30X** series



Features

- ◆ Special compensating circuit design,;
- ◆ Wider temperature range -40~+70°C;
- ◆ Perfect choice for Cryogenic system, outdoor condition etc



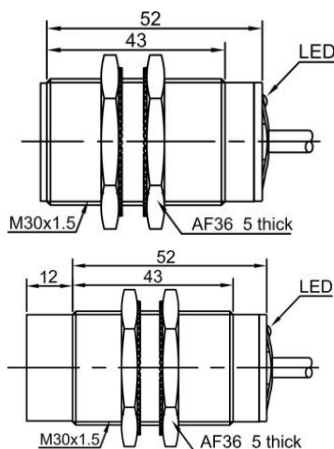
Part number

|        |                |                |        |                |                |
|--------|----------------|----------------|--------|----------------|----------------|
| NPN NO | LR30XBF10DNOW1 | LR30XBN15DNOW1 | PNP NO | LR30XBF10DPOW1 | LR30XBN15DPOW1 |
| NPN NC | LR30XBF10DNCW1 | LR30XBN15DNCW1 | PNP NC | LR30XBF10DPCW1 | LR30XBN15DPCW1 |

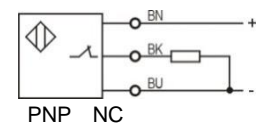
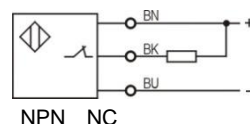
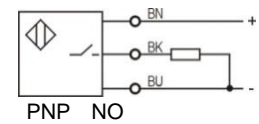
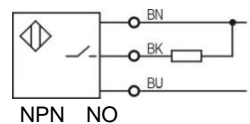
Technical specifications

|                           |                               |             |                         |  |
|---------------------------|-------------------------------|-------------|-------------------------|--|
| Mounting                  | Flush                         | Non-flush   | Current consumption     | ≤15mA  |
| Rated distance [Sn]       | 10mm                          | 15mm        | Circuit protection      | Short-circuit, overload and reverse polarity |
| Assured distance [Sa]     | 0...8mm                       | 0...12mm    | Output indicator        | Yellow LED                                   |
| Dimensions                | M30*52mm                      | M30*64mm    | Ambient temperature     | -40°C...70°C                                 |
| Output                    | NO/NC(depends on part number) |             | Ambient humidity        | 35...95%RH                                   |
| Supply voltage            | 10...30 VDC                   |             | Switching frequency [F] | 500 Hz      300 Hz                           |
| Standard target           | Fe 30*30*1t                   | Fe 45*45*1t | Voltage withstand       | 1000V/AC 50/60Hz 60s                         |
| Switch-point drifts[%/Sr] | ≤ ± 10%                       |             | Insulation resistance   | ≥50MΩ(500VDC)                                |
| Hysteresis range [%/Sr]   | 1...20%                       |             | Vibration resistance    | 10...50Hz (1.5mm)                            |
| Repeat accuracy [R]       | ≤ 3%                          |             | Degree of protection    | IP67   |
| Load current              | ≤ 200mA                       |             | Housing material        | Nickel-copper alloy                          |
| Residual voltage          | ≤ 2.5V                        |             | Connection type         | 2m PUR cable                                 |

Dimensions



Wiring diagram



Metal cylindrical shape inductive sensors **LR30X** series



Features

- ◆ Special compensating circuit design,;
- ◆ Wider tempature range -40~+70°C;
- ◆ Perfect choice for Cryogenic system, outdoor condition etc



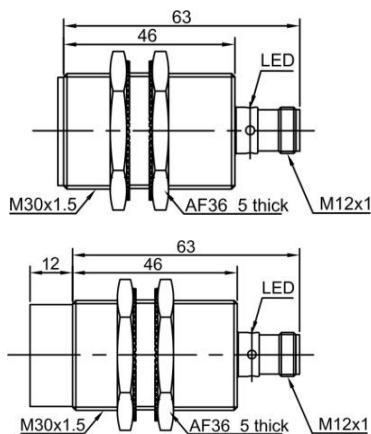
Part number

|        |                   |                   |        |                   |                   |
|--------|-------------------|-------------------|--------|-------------------|-------------------|
| NPN NO | LR30XBF10DNOW1-E2 | LR30XBN15DNOW1-E2 | PNP NO | LR30XBF10DPOW1-E2 | LR30XBN15DPOW1-E2 |
| NPN NC | LR30XBF10DNCW1-E2 | LR30XBN15DNCW1-E2 | PNP NC | LR30XBF10DPCW1-E2 | LR30XBN15DPCW1-E2 |

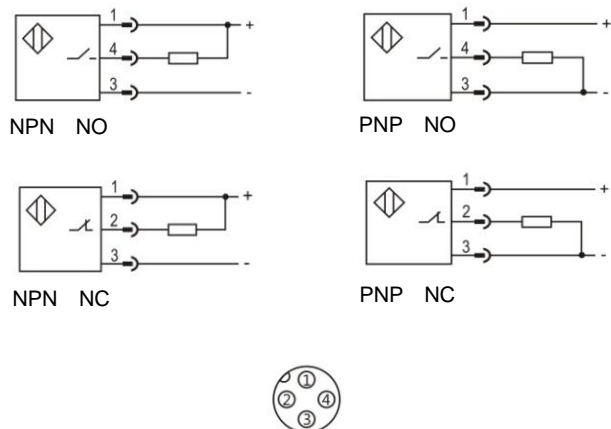
Technical specifications

|                           |                               |             |                         |  |
|---------------------------|-------------------------------|-------------|-------------------------|--|
| Mounting                  | Flush                         | Non-flush   | Current consumption     | ≤15mA  |
| Rated distance [Sn]       | 10mm                          | 15mm        | Circuit protection      | Short-circuit, overload and reverse polarity |
| Assured distance [Sa]     | 0...8mm                       | 0...12mm    | Output indicator        | Yellow LED                                   |
| Dimensions                | M30*63mm                      | M30*75mm    | Ambient temperature     | -40°C...70°C                                 |
| Output                    | NO/NC(depends on part number) |             | Ambient humidity        | 35...95%RH                                   |
| Supply voltage            | 10...30 VDC                   |             | Switching frequency [F] | 500 Hz      300 Hz                           |
| Standard target           | Fe 30*30*1t                   | Fe 45*45*1t | Voltage withstand       | 1000V/AC 50/60Hz 60s                         |
| Switch-point drifts[%/Sr] | ≤ ± 10%                       |             | Insulation resistance   | ≥50MΩ(500VDC)                                |
| Hysteresis range [%/Sr]   | 1...20%                       |             | Vibration resistance    | 10...50Hz (1.5mm)                            |
| Repeat accuracy [R]       | ≤ 3%                          |             | Degree of protection    | IP67   |
| Load current              | ≤ 200mA                       |             | Housing material        | Nickel-copper alloy                          |
| Residual voltage          | ≤ 2.5V                        |             | Connection type         | M12 connector                                |

Dimensions



Wiring diagram



Metal cylindrical shape inductive sensors **LR18X** series



Features

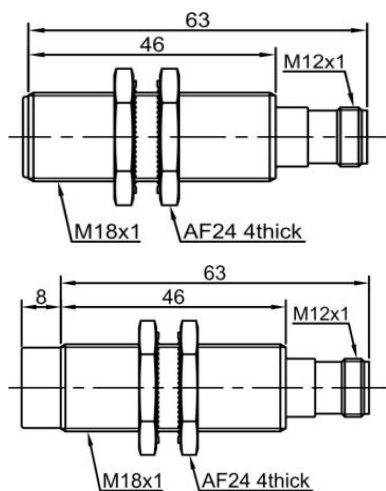
- ◆ Special compensating circuit design,;
- ◆ Wider tempature range -25~+120°C;
- ◆ Perfect choice for metal casting and glass industry etc;



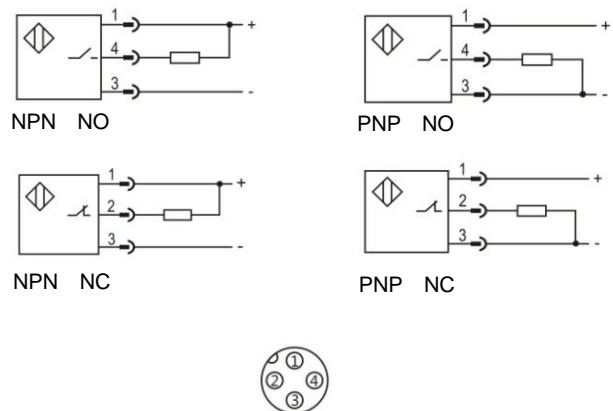
| Part number |                  |                  |        |                  |                  |  |
|-------------|------------------|------------------|--------|------------------|------------------|--|
| NPN NO      | LR18XBF05DNOW-E2 | LR18XBN08DNOW-E2 | PNP NO | LR18XBF05DPOW-E2 | LR18XBN08DPOW-E2 |  |
| NPN NC      | LR18XBF05DNCW-E2 | LR18XBN08DNCW-E2 | PNP NC | LR18XBF05DPCW-E2 | LR18XBN08DPCW-E2 |  |

| Technical specifications  |                               |             |                         |                      |        |
|---------------------------|-------------------------------|-------------|-------------------------|----------------------|--------|
| Mounting                  | Flush                         | Non-flush   | Current consumption     | ≤15mA                |        |
| Rated distance [Sn]       | 5mm                           | 8mm         | Circuit protection      | Reverse polarity     |        |
| Assured distance [Sa]     | 0...4mm                       | 0...6.4mm   | Output indicator        | .....                |        |
| Dimensions                | M18*63mm                      | M18*71mm    | Ambient temperature     | -25°C...+120°C       |        |
| Output                    | NO/NC(depends on part number) |             | Ambient humidity        | 35...95%RH           |        |
| Supply voltage            | 10...30 VDC                   |             | Switching frequency [F] | 1000 Hz              | 800 Hz |
| Standard target           | Fe 18*18*1t                   | Fe 24*24*1t | Voltage withstand       | 1000V/AC 50/60Hz 60s |        |
| Switch-point drifts[%/Sr] | ≤±10%                         |             | Insulation resistance   | ≥50MΩ(500VDC)        |        |
| Hysteresis range [%/Sr]   | 1...20%                       |             | Vibration resistance    | 10...50Hz (1.5mm)    |        |
| Repeat accuracy [R]       | ≤5%                           |             | Degree of protection    | IP67                 |        |
| Load current              | ≤100mA                        |             | Housing material        | Nickel-copper alloy  |        |
| Residual voltage          | ≤2.5V                         |             | Connection type         | M12 connector        |        |

Dimensions



Wiring diagram



Metal cylindrical shape inductive sensors **LR18X** series



Features

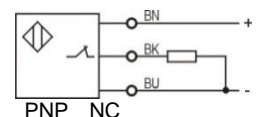
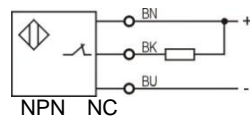
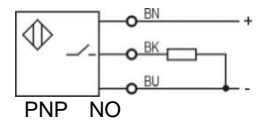
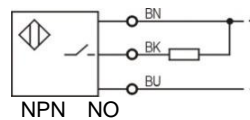
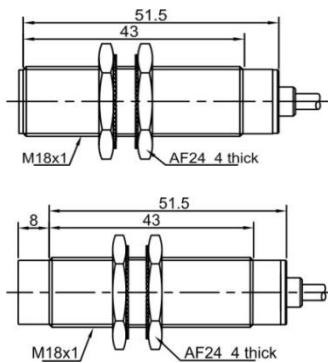
- ◆ Special compensating circuit design,;
- ◆ Wider tempature range -25~+120°C;
- ◆ Perfect choice for metal casting and glass industry etc;



| Part number |               |               |        |               |               |  |
|-------------|---------------|---------------|--------|---------------|---------------|--|
| NPN NO      | LR18XBF05DNCW | LR18XBN08DNCW | PNP NO | LR18XBF05DPOW | LR18XBN08DPOW |  |
| NPN NC      | LR18XBF05DNCW | LR18XBN08DNCW | PNP NC | LR18XBF05DPCW | LR18XBN08DPCW |  |

| Technical specifications  |                               |             |                         |                      |        |  |
|---------------------------|-------------------------------|-------------|-------------------------|----------------------|--------|--|
| Mounting                  | Flush                         | Non-flush   | Current consumption     | ≤15mA                |        |  |
| Rated distance [Sn]       | 5mm                           | 8mm         | Circuit protection      | Reverse polarity     |        |  |
| Assured distance [Sa]     | 0...4mm                       | 0...6.4mm   | Output indicator        | .....                |        |  |
| Dimensions                | M18*51.5mm                    | M18*59.5mm  | Ambient temperature     | -25°C...+120°C       |        |  |
| Output                    | NO/NC(depends on part number) |             | Ambient humidity        | 35...95%RH           |        |  |
| Supply voltage            | 10...30 VDC                   |             | Switching frequency [F] | 1000 Hz              | 800 Hz |  |
| Standard target           | Fe 18*18*1t                   | Fe 24*24*1t | Voltage withstand       | 1000V/AC 50/60Hz 60s |        |  |
| Switch-point drifts[%/Sr] | ≤±10%                         |             | Insulation resistance   | ≥50MΩ(500VDC)        |        |  |
| Hysteresis range [%/Sr]   | 1...20%                       |             | Vibration resistance    | 10...50Hz (1.5mm)    |        |  |
| Repeat accuracy [R]       | ≤5%                           |             | Degree of protection    | IP67                 |        |  |
| Load current              | ≤100mA                        |             | Housing material        | Nickel-copper alloy  |        |  |
| Residual voltage          | ≤2.5V                         |             | Connection type         | 2m silicone cable    |        |  |

Dimensions      Wiring diagram



Metal cylindrical shape inductive sensors **LR18X** series



Features

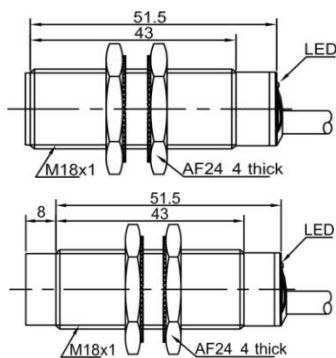
- ◆ Special compensating circuit design,;
- ◆ Wider tempature range -40~+70°C;
- ◆ Perfect choice for Cryogenic system, outdoor condition etc



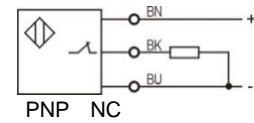
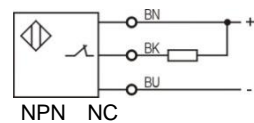
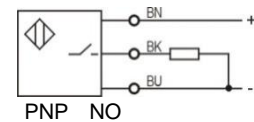
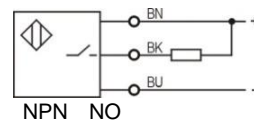
| Part number |                |                |        |                |                |  |
|-------------|----------------|----------------|--------|----------------|----------------|--|
| NPN NO      | LR18XBF05DNOW1 | LR18XBN08DNOW1 | PNP NO | LR18XBF05DPOW1 | LR18XBN08DPOW1 |  |
| NPN NC      | LR18XBF05DNCW1 | LR18XBN08DNCW1 | PNP NC | LR18XBF05DPCW1 | LR18XBN08DPCW1 |  |

| Technical specifications  |                               |             |                         |  |        |  |
|---------------------------|-------------------------------|-------------|-------------------------|--|--------|--|
| Mounting                  | Flush                         | Non-flush   | Current consumption     | ≤15mA  |        |  |
| Rated distance [Sn]       | 5mm                           | 8mm         | Circuit protection      | Short-circuit, overload and reverse polarity |        |  |
| Assured distance [Sa]     | 0...4mm                       | 0...6.4mm   | Output indicator        | Yellow LED                                   |        |  |
| Dimensions                | M18*51.5mm                    | M18*59.5mm  | Ambient temperature     | -40°C...70°C                                 |        |  |
| Output                    | NO/NC(depends on part number) |             | Ambient humidity        | 35...95%RH                                   |        |  |
| Supply voltage            | 10...30 VDC                   |             | Switching frequency [F] | 1000 Hz                                      | 800 Hz |  |
| Standard target           | Fe 18*18*1t                   | Fe 24*24*1t | Voltage withstand       | 1000V/AC 50/60Hz 60s                         |        |  |
| Switch-point drifts[%/Sr] | ≤ ± 10%                       |             | Insulation resistance   | ≥50MΩ(500VDC)                                |        |  |
| Hysteresis range [%/Sr]   | 1...20%                       |             | Vibration resistance    | 10...50Hz (1.5mm)                            |        |  |
| Repeat accuracy [R]       | ≤ 3%                          |             | Degree of protection    | IP67   |        |  |
| Load current              | ≤ 200mA                       |             | Housing material        | Nickel-copper alloy                          |        |  |
| Residual voltage          | ≤ 2.5V                        |             | Connection type         | 2m PUR cable                                 |        |  |

Dimensions



Wiring diagram



Metal cylindrical shape inductive sensors **LR18X** series



Features

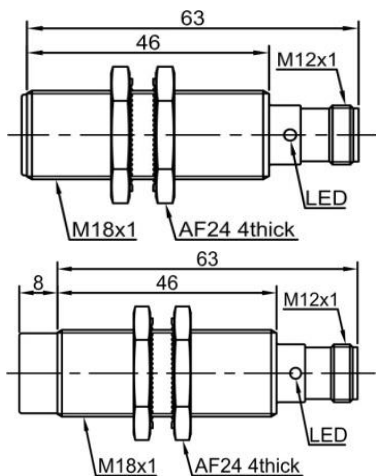
- ◆ Special compensating circuit design,;
- ◆ Wider tempature range -40~+70°C;
- ◆ Perfect choice for Cryogenic system, outdoor condition etc



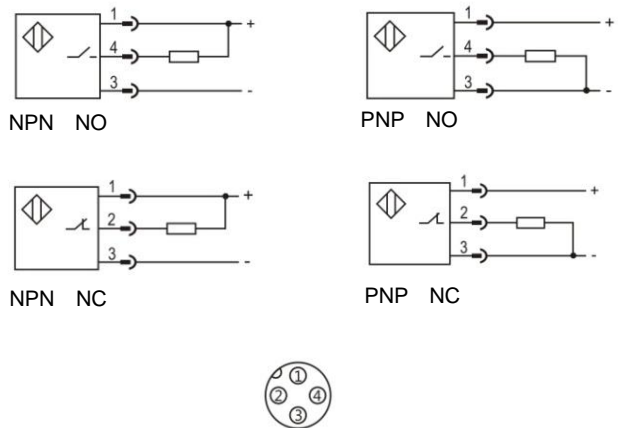
| Part number |                   |                   |        |                   |                   |  |
|-------------|-------------------|-------------------|--------|-------------------|-------------------|--|
| NPN NO      | LR18XBF05DNOW1-E2 | LR18XBN08DNOW1-E2 | PNP NO | LR18XBF05DPOW1-E2 | LR18XBN08DPOW1-E2 |  |
| NPN NC      | LR18XBF05DNCW1-E2 | LR18XBN08DNCW1-E2 | PNP NC | LR18XBF05DPCW1-E2 | LR18XBN08DPCW1-E2 |  |

| Technical specifications  |                               |             |                         |  |        |
|---------------------------|-------------------------------|-------------|-------------------------|--|--------|
| Mounting                  | Flush                         | Non-flush   | Current consumption     | ≤15mA  |        |
| Rated distance [Sn]       | 5mm                           | 8mm         | Circuit protection      | Short-circuit, overload and reverse polarity |        |
| Assured distance [Sa]     | 0...4mm                       | 0...6.4mm   | Output indicator        | Yellow LED                                   |        |
| Dimensions                | M18*63mm                      | M18*71mm    | Ambient temperature     | -40°C...70°C                                 |        |
| Output                    | NO/NC(depends on part number) |             | Ambient humidity        | 35...95%RH                                   |        |
| Supply voltage            | 10...30 VDC                   |             | Switching frequency [F] | 1000 Hz                                      | 800 Hz |
| Standard target           | Fe 18*18*1t                   | Fe 24*24*1t | Voltage withstand       | 1000V/AC 50/60Hz 60s                         |        |
| Switch-point drifts[%/Sr] | ≤±10%                         |             | Insulation resistance   | ≥50MΩ(500VDC)                                |        |
| Hysteresis range [%/Sr]   | 1...20%                       |             | Vibration resistance    | 10...50Hz (1.5mm)                            |        |
| Repeat accuracy [R]       | ≤3%                           |             | Degree of protection    | IP67   |        |
| Load current              | ≤200mA                        |             | Housing material        | Nickel-copper alloy                          |        |
| Residual voltage          | ≤2.5V                         |             | Connection type         | M12 connector                                |        |

Dimensions



Wiring diagram



Metal cylindrical shape inductive sensors **LR12X** series



Features

- ◆ Special compensating circuit design,;
- ◆ Wider tempature range -25~+120°C;
- ◆ Perfect choice for metal casting and glass industry etc;



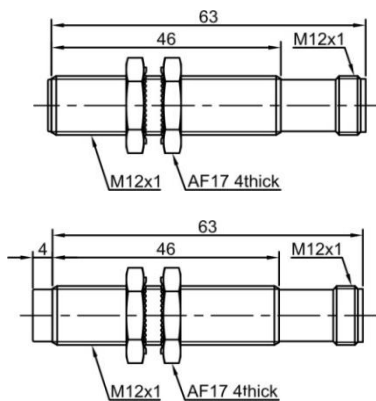
Part number

|        |                  |                  |        |                  |                  |
|--------|------------------|------------------|--------|------------------|------------------|
| NPN NO | LR12XBF02DNOW-E2 | LR12XBN04DNOW-E2 | PNP NO | LR12XBF02DPOW-E2 | LR12XBN04DPOW-E2 |
| NPN NC | LR12XBF02DNCW-E2 | LR12XBN04DNCW-E2 | PNP NC | LR12XBF02DPCW-E2 | LR12XBN04DPCW-E2 |

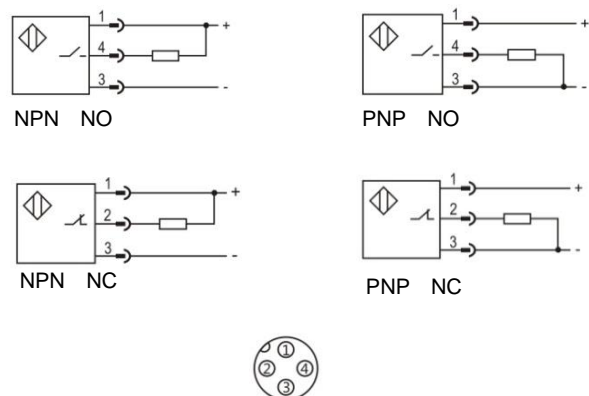
Technical specifications

|                           |                               |            |                         |                      |
|---------------------------|-------------------------------|------------|-------------------------|----------------------|
| Mounting                  | Flush                         | Non-flush  | Current consumption     | ≤15mA                |
| Rated distance [Sn]       | 2mm                           | 4mm        | Circuit protection      | Reverse polarity     |
| Assured distance [Sa]     | 0...1.6mm0...3.2mm            |            | Output indicator        | .....                |
| Dimensions                | M12*63mm                      | M12*67mm   | Ambient temperature     | -25°C...+120°C       |
| Output                    | NO/NC(depends on part number) |            | Ambient humidity        | 35...95%RH           |
| Supply voltage            | 10...30 VDC                   |            | Switching frequency [F] | 1500 Hz      1000 Hz |
| Standard target           | Fe 12*12*1t                   | Fe12*12*1t | Voltage withstand       | 1000V/AC 50/60Hz 60s |
| Switch-point drifts[%/Sr] | ≤ ± 10%                       |            | Insulation resistance   | ≥50MΩ(500VDC)        |
| Hysteresis range [%/Sr]   | 1...20%                       |            | Vibration resistance    | 10...50Hz (1.5mm)    |
| Repeat accuracy [R]       | ≤ 5%                          |            | Degree of protection    | IP67                 |
| Load current              | ≤ 100mA                       |            | Housing material        | Nickel-copper alloy  |
| Residual voltage          | ≤ 2.5V                        |            | Connection type         | M12 connector        |

Dimensions



Wiring diagram



Metal cylindrical shape inductive sensors **LR12X** series



Features

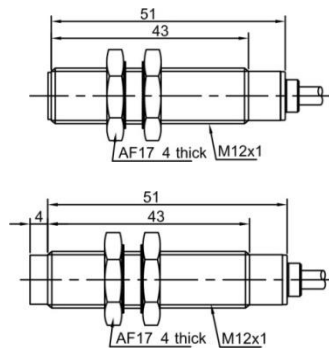
- ◆ Special compensating circuit design,;
- ◆ Wider tempature range -25~+120°C;
- ◆ Perfect choice for metal casting and glass industry etc;



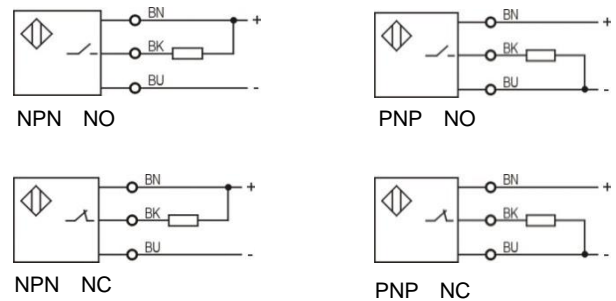
| Part number |               |               |        |               |               |  |
|-------------|---------------|---------------|--------|---------------|---------------|--|
| NPN NO      | LR12XBF02DNOW | LR12XBN04DNOW | PNP NO | LR12XBF02DPOW | LR12XBN04DPOW |  |
| NPN NC      | LR12XBF02DNCW | LR12XBN04DNCW | PNP NC | LR12XBF02DPCW | LR12XBN04DPCW |  |

| Technical specifications  |                               |            |                         |                      |         |
|---------------------------|-------------------------------|------------|-------------------------|----------------------|---------|
| Mounting                  | Flush                         | Non-flush  | Current consumption     | ≤15mA                |         |
| Rated distance [Sn]       | 2mm                           | 4mm        | Circuit protection      | Reverse polarity     |         |
| Assured distance [Sa]     | 0...1.6mm0...3.2mm            |            | Output indicator        | .....                |         |
| Dimensions                | M12*51mm                      | M12*55mm   | Ambient temperature     | -25°C...+120°C       |         |
| Output                    | NO/NC(depends on part number) |            | Ambient humidity        | 35...95%RH           |         |
| Supply voltage            | 10...30 VDC                   |            | Switching frequency [F] | 1500 Hz              | 1000 Hz |
| Standard target           | Fe 12*12*1t                   | Fe12*12*1t | Voltage withstand       | 1000V/AC 50/60Hz 60s |         |
| Switch-point drifts[%/Sr] | ≤ ±10%                        |            | Insulation resistance   | ≥50MΩ(500VDC)        |         |
| Hysteresis range [%/Sr]   | 1...20%                       |            | Vibration resistance    | 10...50Hz (1.5mm)    |         |
| Repeat accuracy [R]       | ≤5%                           |            | Degree of protection    | IP67                 |         |
| Load current              | ≤100mA                        |            | Housing material        | Nickel-copper alloy  |         |
| Residual voltage          | ≤2.5V                         |            | Connection type         | 2m silicone cable    |         |

Dimensions



Wiring diagram



Metal cylindrical shape inductive sensors **LR12X** series



Features

- ◆ Special compensating circuit design,;
- ◆ Wider tempature range -40~+70°C;
- ◆ Perfect choice for Cryogenic system, outdoor condition etc



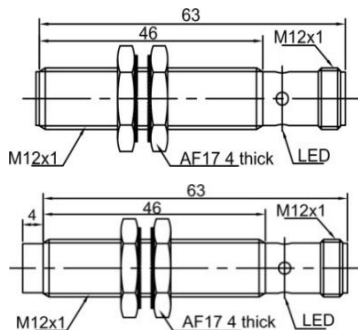
Part number

|        |                   |                   |        |                   |                   |
|--------|-------------------|-------------------|--------|-------------------|-------------------|
| NPN NO | LR12XBF02DNOW1-E2 | LR12XBN04DNOW1-E2 | PNP NO | LR12XBF02DPOW1-E2 | LR12XBN04DPOW1-E2 |
| NPN NC | LR12XBF02DNCW1-E2 | LR12XBN04DNCW1-E2 | PNP NC | LR12XBF02DPCW1-E2 | LR12XBN04DPCW1-E2 |

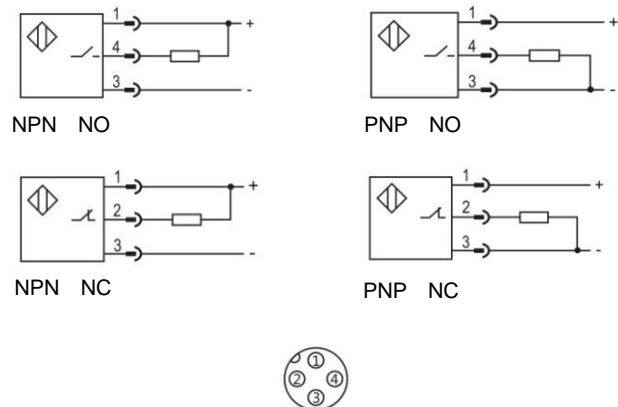
Technical specifications

|                           |                               |            |                         |  |
|---------------------------|-------------------------------|------------|-------------------------|--|
| Mounting                  | Flush                         | Non-flush  | Current consumption     | ≤15mA  |
| Rated distance [Sn]       | 2mm                           | 4mm        | Circuit protection      | Short-circuit, overload and reverse polarity |
| Assured distance [Sa]     | 0...1.6mm0...3.2mm            |            | Output indicator        | Yellow LED                                   |
| Dimensions                | M12*63mm                      | M12*67mm   | Ambient temperature     | -40°C...70°C                                 |
| Output                    | NO/NC(depends on part number) |            | Ambient humidity        | 35...95%RH                                   |
| Supply voltage            | 10...30 VDC                   |            | Switching frequency [F] | 1500 Hz      1000 Hz                         |
| Standard target           | Fe 12*12*1t                   | Fe12*12*1t | Voltage withstand       | 1000V/AC 50/60Hz 60s                         |
| Switch-point drifts[%/Sr] | ≤ ± 10%                       |            | Insulation resistance   | ≥50MΩ(500VDC)                                |
| Hysteresis range [%/Sr]   | 1...20%                       |            | Vibration resistance    | 10...50Hz (1.5mm)                            |
| Repeat accuracy [R]       | ≤ 3%                          |            | Degree of protection    | IP67   |
| Load current              | ≤ 200mA                       |            | Housing material        | Nickel-copper alloy                          |
| Residual voltage          | ≤ 2.5V                        |            | Connection type         | M12 connector                                |

Dimensions



Wiring diagram



Metal cylindrical shape inductive sensors **LR12X** series



Features

- ◆ Special compensating circuit design,;
- ◆ Wider tempature range -40~+70°C;
- ◆ Perfect choice for Cryogenic system, outdoor condition etc



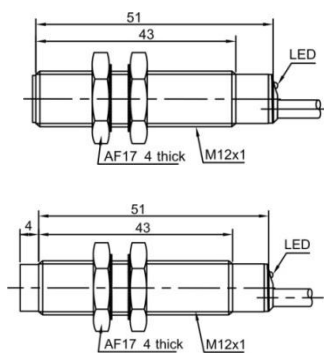
Part number

|        |                |                |        |                |                |
|--------|----------------|----------------|--------|----------------|----------------|
| NPN NO | LR12XBF02DNOW1 | LR12XBN04DNOW1 | PNP NO | LR12XBF02DPOW1 | LR12XBN04DPOW1 |
| NPN NC | LR12XBF02DNCW1 | LR12XBN04DNCW1 | PNP NC | LR12XBF02DPCW1 | LR12XBN04DPCW1 |

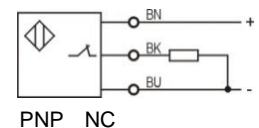
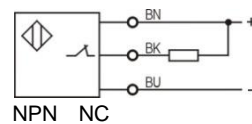
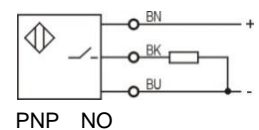
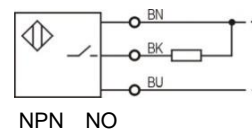
Technical specifications

|                           |                               |            |                         |  |
|---------------------------|-------------------------------|------------|-------------------------|--|
| Mounting                  | Flush                         | Non-flush  | Current consumption     | ≤15mA  |
| Rated distance [Sn]       | 2mm                           | 4mm        | Circuit protection      | Short-circuit, overload and reverse polarity |
| Assured distance [Sa]     | 0...1.6mm0...3.2mm            |            | Output indicator        | Yellow LED                                   |
| Dimensions                | M12*51mm                      | M12*55mm   | Ambient temperature     | -40°C...70°C                                 |
| Output                    | NO/NC(depends on part number) |            | Ambient humidity        | 35...95%RH                                   |
| Supply voltage            | 10...30 VDC                   |            | Switching frequency [F] | 1500 Hz      1000 Hz                         |
| Standard target           | Fe 12*12*1t                   | Fe12*12*1t | Voltage withstand       | 1000V/AC 50/60Hz 60s                         |
| Switch-point drifts[%/Sr] | ≤ ± 10%                       |            | Insulation resistance   | ≥50MΩ(500VDC)                                |
| Hysteresis range [%/Sr]   | 1...20%                       |            | Vibration resistance    | 10...50Hz (1.5mm)                            |
| Repeat accuracy [R]       | ≤ 3%                          |            | Degree of protection    | IP67   |
| Load current              | ≤ 200mA                       |            | Housing material        | Nickel-copper alloy                          |
| Residual voltage          | ≤ 2.5V                        |            | Connection type         | 2m PUR cable                                 |

Dimensions



Wiring diagram



## По вопросам продаж и поддержки обращайтесь:

Алматы (727)345-47-04  
Ангарск (3955)60-70-56  
Архангельск (8182)63-90-72  
Астрахань (8512)99-46-04  
Барнаул (3852)73-04-60  
Белгород (4722)40-23-64  
Благовещенск (4162)22-76-07  
Брянск (4832)59-03-52  
Владивосток (423)249-28-31  
Владикавказ (8672)28-90-48  
Владимир (4922)49-43-18  
Волгоград (844)278-03-48  
Вологда (8172)26-41-59  
Воронеж (473)204-51-73  
Екатеринбург (343)384-55-89

Иваново (4932)77-34-06  
Ижевск (3412)26-03-58  
Иркутск (395)279-98-46  
Казань (843)206-01-48  
Калининград (4012)72-03-81  
Калуга (4842)92-23-67  
Кемерово (3842)65-04-62  
Киров (8332)68-02-04  
Коломна (4966)23-41-49  
Кострома (4942)77-07-48  
Краснодар (861)203-40-90  
Красноярск (391)204-63-61  
Курск (4712)77-13-04  
Курган (3522)50-90-47  
Липецк (4742)52-20-81

Магнитогорск (3519)55-03-13  
Москва (495)268-04-70  
Мурманск (8152)59-64-93  
Набережные Челны (8552)20-53-41  
Новокузнецк (3843)20-46-81  
Ноябрьск (3496)41-32-12  
Новосибирск (383)227-86-73  
Омск (3812)21-46-40  
Орел (4862)44-53-42  
Оренбург (3532)37-68-04  
Пенза (8412)22-31-16  
Петрозаводск (8142)55-98-37  
Псков (8112)59-10-37  
Пермь (342)205-81-47

Ростов-на-Дону (863)308-18-15  
Рязань (4912)46-61-64  
Самара (846)206-03-16  
Санкт-Петербург (812)309-46-40  
Саратов (845)249-38-78  
Севастополь (8692)22-31-93  
Саранск (8342)22-96-24  
Симферополь (3652)67-13-56  
Смоленск (4812)29-41-54  
Сочи (862)225-72-31  
Ставрополь (8652)20-65-13  
Сургут (3462)77-98-35  
Сыктывкар (8212)25-95-17  
Тамбов (4752)50-40-97  
Тверь (4822)63-31-35

Тольятти (8482)63-91-07  
Томск (3822)98-41-53  
Тула (4872)33-79-87  
Тюмень (3452)66-21-18  
Ульяновск (8422)24-23-59  
Улан-Удэ (3012)59-97-51  
Уфа (347)229-48-12  
Хабаровск (4212)92-98-04  
Чебоксары (8352)28-53-07  
Челябинск (351)202-03-61  
Череповец (8202)49-02-64  
Чита (3022)38-34-83  
Якутск (4112)23-90-97  
Ярославль (4852)69-52-93

**Россия** +7(495)268-04-70

**Казахстан** +(727)345-47-04

**Беларусь** +(375)257-127-884

**Узбекистан** +998(71)205-18-59

**Киргизия** +996(312)96-26-47

эл.почта: [ahj@nt-rt.ru](mailto:ahj@nt-rt.ru) || сайт: <https://lanbao.nt-rt.ru/>