

# Высокотемпературные индуктивные датчики LE

## Технические характеристики

По вопросам продаж и поддержки обращайтесь:

Алматы (727)345-47-04  
Ангарск (3955)60-70-56  
Архангельск (8182)63-90-72  
Астрахань (8512)99-46-04  
Барнаул (3852)73-04-60  
Белгород (4722)40-23-64  
Благовещенск (4162)22-76-07  
Брянск (4832)59-03-52  
Владивосток (423)249-28-31  
Владикавказ (8672)28-90-48  
Владимир (4922)49-43-18  
Волгоград (844)278-03-48  
Вологда (8172)26-41-59  
Воронеж (473)204-51-73  
Екатеринбург (343)384-55-89

Иваново (4932)77-34-06  
Ижевск (3412)26-03-58  
Иркутск (395)279-98-46  
Казань (843)206-01-48  
Калининград (4012)72-03-81  
Калуга (4842)92-23-67  
Кемерово (3842)65-04-62  
Киров (8332)68-02-04  
Коломна (4966)23-41-49  
Кострома (4942)77-07-48  
Краснодар (861)203-40-90  
Красноярск (391)204-63-61  
Курск (4712)77-13-04  
Курган (3522)50-90-47  
Липецк (4742)52-20-81

Магнитогорск (3519)55-03-13  
Москва (495)268-04-70  
Мурманск (8152)59-64-93  
Набережные Челны (8552)20-53-41  
Нижний Новгород (831)429-08-12  
Новокузнецк (3843)20-46-81  
Ноябрьск (3496)41-32-12  
Новосибирск (383)227-86-73  
Омск (3812)21-46-40  
Орел (4862)44-53-42  
Оренбург (3532)37-68-04  
Пенза (8412)22-31-16  
Петрозаводск (8142)55-98-37  
Псков (8112)59-10-37  
Пермь (342)205-81-47

Ростов-на-Дону (863)308-18-15  
Рязань (4912)46-61-64  
Самара (846)206-03-16  
Санкт-Петербург (812)309-46-40  
Саратов (845)249-38-78  
Севастополь (8692)22-31-93  
Саранск (8342)22-96-24  
Симферополь (3652)67-13-56  
Смоленск (4812)29-41-54  
Сочи (862)225-72-31  
Ставрополь (8652)20-65-13  
Сургут (3462)77-98-35  
Сыктывкар (8212)25-95-17  
Тамбов (4752)50-40-97  
Тверь (4822)63-31-35

Тольятти (8482)63-91-07  
Томск (3822)98-41-53  
Тула (4872)33-79-87  
Тюмень (3452)66-21-18  
Ульяновск (8422)24-23-59  
Улан-Удэ (3012)59-97-51  
Уфа (347)229-48-12  
Хабаровск (4212)92-98-04  
Чебоксары (8352)28-53-07  
Челябинск (351)202-03-61  
Череповец (8202)49-02-64  
Чита (3022)38-34-83  
Якутск (4112)23-90-97  
Ярославль (4852)69-52-93

Россия +7(495)268-04-70

Казахстан +(727)345-47-04

Беларусь +(375)257-127-884

Узбекистан +998(71)205-18-59

Киргизия +996(312)96-26-47

эл.почта: [ahj@nt-rt.ru](mailto:ahj@nt-rt.ru) || сайт: <https://lanbao.nt-rt.ru/>

Plastic square shape inductive sensors **LE80XZ** series



Features

- ◆ Special compensating circuit design;
- ◆ Wider temperature range -25~+100°C;
- ◆ Perfect choice for metal casting and glass industry etc;



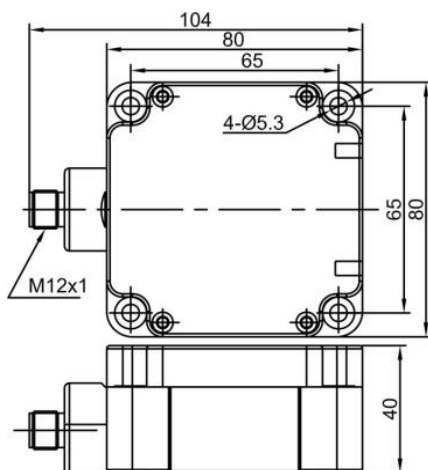
Part number

NPN NO	LE80XZSF40DNOW2-E2	LE80XZSN50DNOW2-E2	PNP NO	LE80XZSF40DPOW2-E2	LE80XZSN50DPOW2-E2
NPN NC	LE80XZSF40DNCW2-E2	LE80XZSN50DNCW2-E2	PNP NC	LE80XZSF40DPCW2-E2	LE80XZSN50DPCW2-E2
NPN NO+NC	LE80XZSF40DNRW2-E2	LE80XZSN50DNRW2-E2	PNP NO+NC	LE80XZSF40DPRW2-E2	LE80XZSN50DPRW2-E2

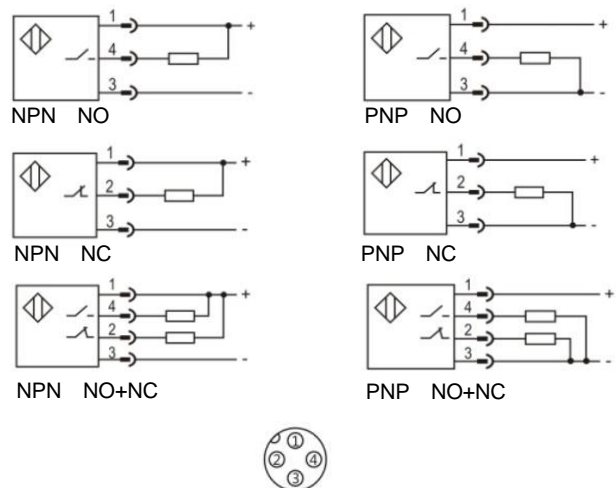
Technical specifications

Mounting	Flush	Non-flush	Current consumption	≤15mA	
Rated distance [Sn]	40mm	50mm	Circuit protection	Reverse polarity	
Assured distance [Sa]	0...32mm/0...40mm		Output indicator	Yellow LED	
Dimensions	40*80*104mm		Ambient temperature	-25°C...100°C	
Output	NO/NC(depends on part number)		Ambient humidity	35...95%RH	
Supply voltage	10...30 VDC		Switching frequency [F]	100 Hz	50 Hz
Standard target	Fe120*120*1t	Fe150*150*1t	Voltage withstand	1000V/AC 50/60Hz 60s	
Switch-point drifts[%/Sr]	≤±10%		Insulation resistance	≥50MΩ(500VDC)	
Hysteresis range [%/Sr]	1...20%		Vibration resistance	10...50Hz (1.5mm)	
Repeat accuracy [R]	≤5%		Degree of protection	IP67	
Load current	≤150mA		Housing material	PBT	
Residual voltage	≤2.5V		Connection type	M12 connector	

Dimensions



Wiring diagram



Plastic square shape inductive sensors **LE80XZ** series



Features

- ◆ Special compensating circuit design;
- ◆ Wider tempature range -25~+100°C;
- ◆ Perfect choice for metal casting and glass industry etc;



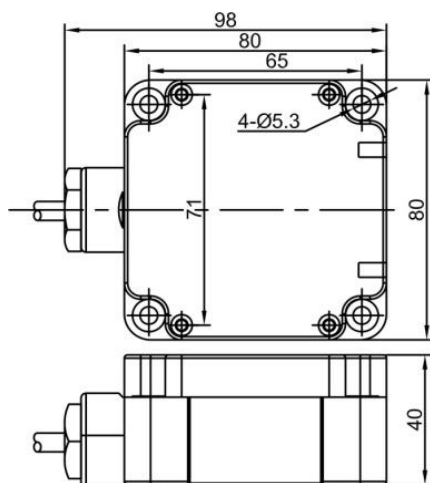
Part number

NPN NO	LE80XZSF40DNOW2-D	LE80XZSN50DNOW2-D	PNP NO	LE80XZSF40DPOW2-D	LE80XZSN50DPOW2-D
NPN NC	LE80XZSF40DNCW2-D	LE80XZSN50DNCW2-D	PNP NC	LE80XZSF40DPCW2-D	LE80XZSN50DPCW2-D
NPN NO+NC	LE80XZSF40DNRW2-D	LE80XZSN50DNRW2-D	PNP NO+NC	LE80XZSF40DPRW2-D	LE80XZSN50DPRW2-D

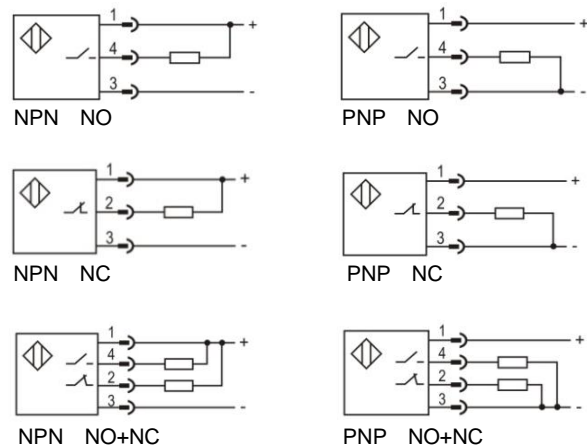
Technical specifications

Mounting	Flush	Non-flush	Current consumption	≤15mA	
Rated distance [Sn]	40mm	50mm	Circuit protection	Reverse polarity	
Assured distance [Sa]	0...32mm/0...40mm		Output indicator	Yellow LED	
Dimensions	40*80*98mm		Ambient temperature	-25...+100°C	
Output	NO/NC(depends on part number)		Ambient humidity	35...95%RH	
Supply voltage	10...30 VDC		Switching frequency [F]	100 Hz	50 Hz
Standard target	Fe120*120*1t	Fe150*150*1t	Voltage withstand	1000V/AC 50/60Hz 60s	
Switch-point drifts[%/Sr]	≤±10%		Insulation resistance	≥50MΩ(500VDC)	
Hysteresis range [%/Sr]	1...20%		Vibration resistance	10...50Hz (1.5mm)	
Repeat accuracy [R]	≤5%		Degree of protection	IP67	
Load current	≤150mA		Housing material	PBT	
Residual voltage	≤2.5V		Connection type	Terminal	

Dimensions



Wiring diagram



Plastic square shape inductive sensors **LE80XZ** series



Features

- ◆ Special compensating circuit design;
- ◆ Wider temperature range -40~+70°C;
- ◆ Perfect choice for Cryogenic system, outdoor condition etc



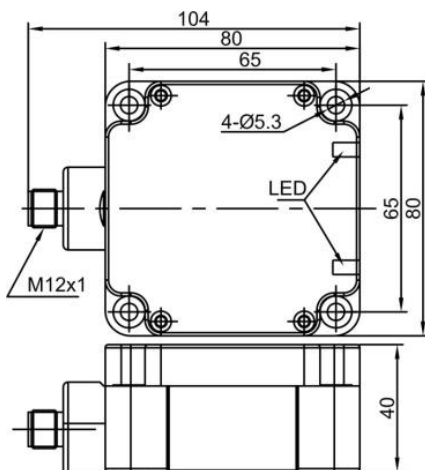
Part number

NPN NO	LE80XZSF40DNOW1-E2	LE80XZSN50DNOW1-E2	PNP NO	LE80XZSF40DPOW1-E2	LE80XZSN50DPOW1-E2
NPN NC	LE80XZSF40DNCW1-E2	LE80XZSN50DNCW1-E2	PNP NC	LE80XZSF40DPCW1-E2	LE80XZSN50DPCW1-E2
NPN NO+NC	LE80XZSF40DNRW1-E2	LE80XZSN50DNRW1-E2	PNP NO+NC	LE80XZSF40DPRW1-E2	LE80XZSN50DPRW1-E2

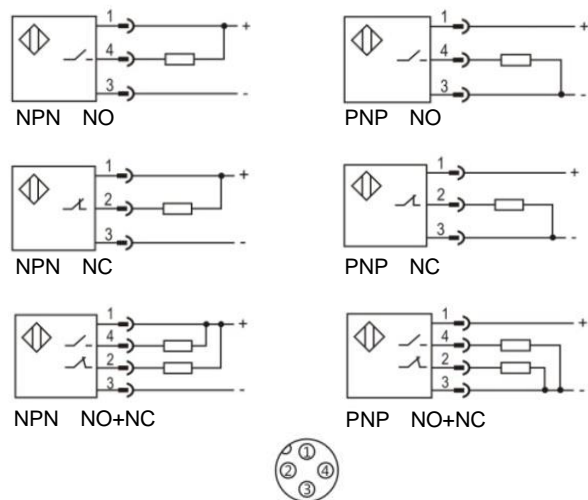
Technical specifications

Mounting	Flush	Non-flush	Current consumption	≤15mA	
Rated distance [Sn]	40mm	50mm	Circuit protection	Short-circuit, overload and reverse polarity	
Assured distance [Sa]	0...32mm/0...40mm		Output indicator	Yellow LED	
Dimensions	40*80*98mm		Ambient temperature	-40°C...70°C	
Output	NO/NC(depends on part number)		Ambient humidity	35...95%RH	
Supply voltage	10...30 VDC		Switching frequency [F]	100 Hz	50 Hz
Standard target	Fe120*120*1t	Fe150*150*1t	Voltage withstand	1000V/AC 50/60Hz 60s	
Switch-point drifts[%/Sr]	≤ ± 10%		Insulation resistance	≥50MΩ(500VDC)	
Hysteresis range [%/Sr]	1...20%		Vibration resistance	10...50Hz (1.5mm)	
Repeat accuracy [R]	≤ 3%		Degree of protection	IP67	
Load current	≤ 200mA		Housing material	PBT	
Residual voltage	≤ 2.5V		Connection type	M12 connector	

Dimensions



Wiring diagram



Plastic square shape inductive sensors **LE80XZ** series



Features

- ◆ Special compensating circuit design;
- ◆ Wider tempature range -40~+70°C;
- ◆ Perfect choice for Cryogenic system, outdoor condition etc



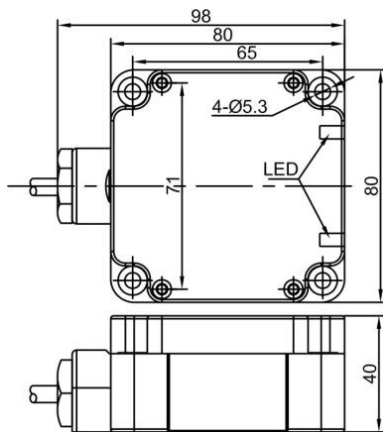
Part number

NPN NO	LE80XZSF40DNOW1-D	LE80XZSN50DNOW1-D	PNP NO	LE80XZSF40DPOW1-D	LE80XZSN50DPOW1-D
NPN NC	LE80XZSF40DNCW1-D	LE80XZSN50DNCW1-D	PNP NC	LE80XZSF40DPCW1-D	LE80XZSN50DPCW1-D
NPN NO+NC	LE80XZSF40DNRW1-D	LE80XZSN50DNRW1-D	PNP NO+NC	LE80XZSF40DPRW1-D	LE80XZSN50DPRW1-D

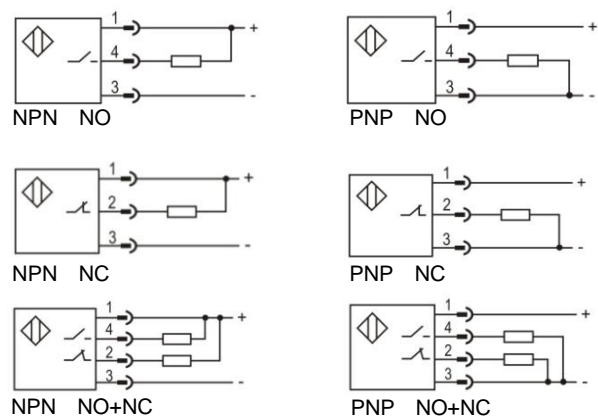
Technical specifications

Mounting	Flush	Non-flush	Current consumption	≤15mA	
Rated distance [Sn]	40mm	50mm	Circuit protection	Short-circuit, overload and reverse polarity	
Assured distance [Sa]	0...32mm/0...40mm		Output indicator	Yellow LED	
Dimensions	40*80*98mm		Ambient temperature	-40°C...70°C	
Output	NO/NC(depends on part number)		Ambient humidity	35...95%RH	
Supply voltage	10...30 VDC		Switching frequency [F]	100 Hz	50 Hz
Standard target	Fe120*120*1t	Fe150*150*1t	Voltage withstand	1000V/AC 50/60Hz 60s	
Switch-point drifts[%/Sr]	≤± 10%		Insulation resistance	≥50MΩ(500VDC)	
Hysteresis range [%/Sr]	1...20%		Vibration resistance	10...50Hz (1.5mm)	
Repeat accuracy [R]	≤3%		Degree of protection	IP67	
Load current	≤200mA		Housing material	PBT	
Residual voltage	≤2.5V		Connection type	Terminal	

Dimensions



Wiring diagram



Plastic square shape inductive sensors **LE40XZ** series

**Features**

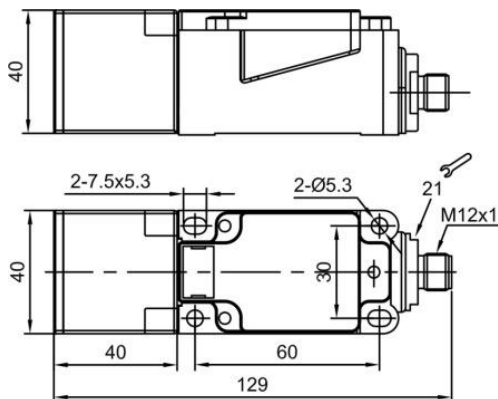
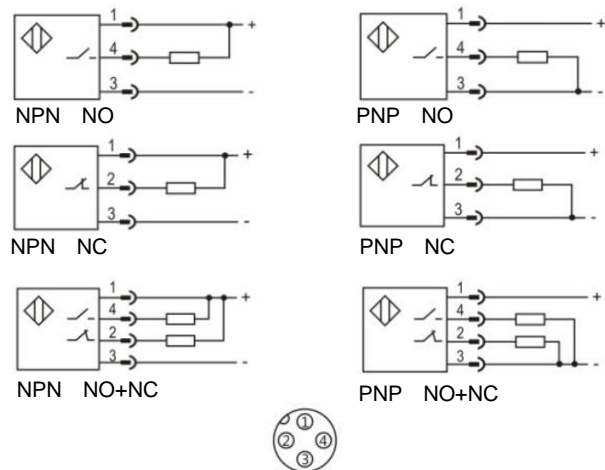
- ◆ Special compensating circuit design;
- ◆ Wider temperature range -25~+100°C;
- ◆ Perfect choice for metal casting and glass industry etc;


**Part number**

NPN NO	LE40XZSF15DNCW2-E2	LE40XZSN20DNCW2-E2	PNP NO	LE40XZSF15DPCW2-E2	LE40XZSN20DPCW2-E2
NPN NC	LE40XZSF15DNRW2-E2	LE40XZSN20DNRW2-E2	PNP NC	LE40XZSF15DPRW2-E2	LE40XZSN20DPRW2-E2
NPN NO+NC			PNP NO+NC		

**Technical specifications**

Mounting	Flush	Non-flush	Current consumption	≤15mA	
Rated distance [Sn]	15mm	20mm	Circuit protection	Reverse polarity	
Assured distance [Sa]	0...12mm/0...16mm		Output indicator	Yellow LED	
Dimensions	40*40*129mm		Ambient temperature	-25°C...100°C	
Output	NO/NC(depends on part number)		Ambient humidity	35...95%RH	
Supply voltage	10...30 VDC		Switching frequency [F]	300 Hz	200 Hz
Standard target	Fe 45*45*1t	Fe60*60*1t	Voltage withstand	1000V/AC 50/60Hz 60s	
Switch-point drifts[%/Sr]	≤ ±10%		Insulation resistance	≥50MΩ(500VDC)	
Hysteresis range [%/Sr]	1...20%		Vibration resistance	10...50Hz (1.5mm)	
Repeat accuracy [R]	≤5%		Degree of protection	IP67	
Load current	≤150mA		Housing material	PBT	
Residual voltage	≤2.5V		Connection type	M12 connector	

**Dimensions**

**Wiring diagram**


Plastic square shape inductive sensors **LE40XZ** series



**Features**

- ◆ Special compensating circuit design;
- ◆ Wider tempature range -40~+70°C;
- ◆ Perfect choice for Cryogenic system, outdoor condition etc



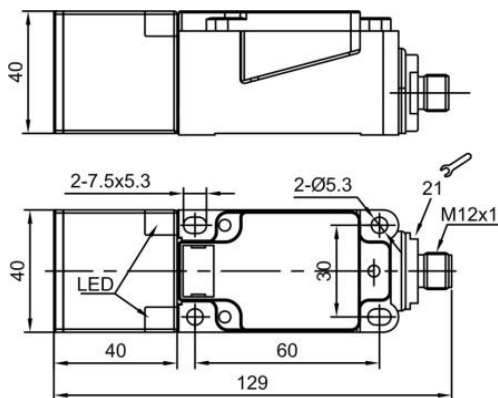
**Part number**

NPN NO	LE40XZSF15DNCW1-E2	LE40XZSN20DNCW1-E2	PNP NO	LE40XZSF15DPOW1-E2	LE40XZSN20DPOW1-E2
NPN NC	LE40XZSF15DNCW1-E2	LE40XZSN20DNCW1-E2	PNP NC	LE40XZSF15DPCW1-E2	LE40XZSN20DPCW1-E2
NPN NO+NC	LE40XZSF15DNRW1-E2	LE40XZSN20DNRW1-E2	PNP NO+NC	LE40XZSF15DPRW1-E2	LE40XZSN20DPRW1-E2

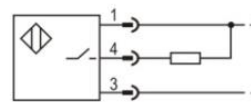
**Technical specifications**

Mounting	Flush	Non-flush	Current consumption	≤15mA	
Rated distance [Sn]	15mm	20mm	Circuit protection	Short-circuit, overload and reverse polarity	
Assured distance [Sa]	0...12mm0...16mm		Output indicator	Yellow LED	
Dimensions	40*40*129mm		Ambient temperature	-40°C...70°C	
Output	NO/NC(depends on part number)		Ambient humidity	35...95%RH	
Supply voltage	10...30 VDC		Switching frequency [F]	300 Hz	200 Hz
Standard target	Fe 45*45*1t	Fe60*60*1t	Voltage withstand	1000V/AC 50/60Hz 60s	
Switch-point drifts[%/Sr]	≤±10%		Insulation resistance	≥50MΩ(500VDC)	
Hysteresis range [%/Sr]	1...20%		Vibration resistance	10...50Hz (1.5mm)	
Repeat accuracy [R]	≤3%		Degree of protection	IP67	
Load current	≤200mA		Housing material	PBT	
Residual voltage	≤2.5V		Connection type	M12 connector	

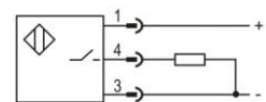
**Dimensions**



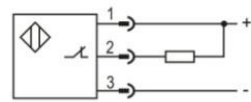
**Wiring diagram**



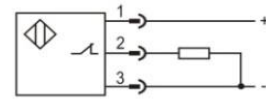
NPN NO



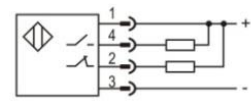
PNP NO



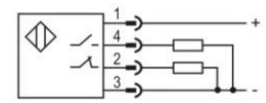
NPN NC



PNP NC



NPN NO+NC



PNP NO+NC



Plastic square shape inductive sensors **LE40XZ** series



Features

- ◆ Special compensating circuit design;
- ◆ Wider temperature range -25~+100°C;
- ◆ Perfect choice for metal casting and glass industry etc;



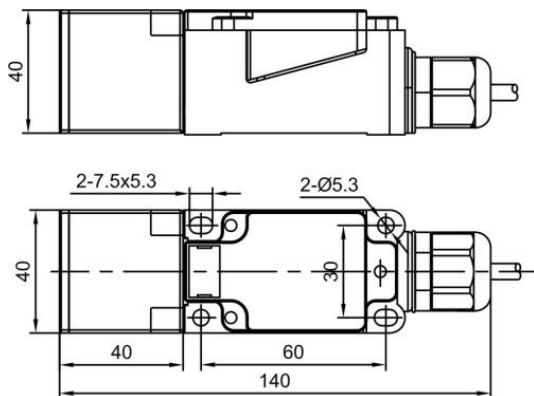
Part number

NPN NO	LE40XZSF15DNCW2-D	LE40XZSN20DNCW2-D	PNP NO	LE40XZSF15DPCW2-D	LE40XZSN20DPCW2-D
NPN NC	LE40XZSF15DNRW2-D	LE40XZSN20DNRW2-D	PNP NC	LE40XZSF15DPRW2-D	LE40XZSN20DPRW2-D
NPN NO+NC	LE40XZSF15DNCW2-D	LE40XZSN20DNCW2-D	PNP NO+NC	LE40XZSF15DPCW2-D	LE40XZSN20DPCW2-D

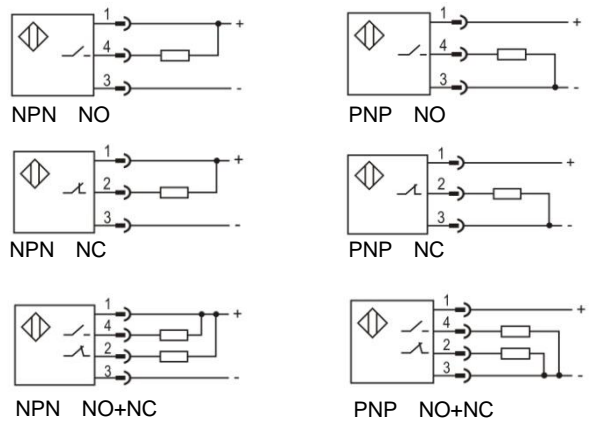
Technical specifications

Mounting	Flush	Non-flush	Current consumption	≤15mA	
Rated distance [Sn]	15mm	20mm	Circuit protection	Reverse polarity	
Assured distance [Sa]	0...12mm0...16mm		Output indicator	Yellow LED	
Dimensions	40*40*140mm		Ambient temperature	-25°C...100°C	
Output	NO/NC(depends on part number)		Ambient humidity	35...95%RH	
Supply voltage	10...30 VDC		Switching frequency [F]	300 Hz	200 Hz
Standard target	Fe 45*45*1t	Fe60*60*1t	Voltage withstand	1000V/AC 50/60Hz 60s	
Switch-point drifts[%/Sr]	≤ ± 10%		Insulation resistance	≥50MΩ(500VDC)	
Hysteresis range [%/Sr]	1...20%		Vibration resistance	10...50Hz (1.5mm)	
Repeat accuracy [R]	≤ 5%		Degree of protection	IP67	
Load current	≤ 150mA		Housing material	PBT	
Residual voltage	≤ 2.5V		Connection type	Terminal	

Dimensions



Wiring diagram



Plastic square shape inductive sensors **LE40XZ** series



Features

- ◆ Special compensating circuit design;
- ◆ Wider tempature range -40~+70°C;
- ◆ Perfect choice for Cryogenic system, outdoor condition etc



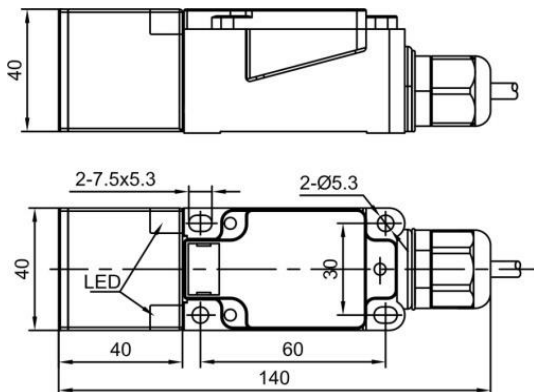
Part number

NPN NO	LE40XZSF15DNOW1-D	LE40XZSN20DNOW1-D	PNP NO	LE40XZSF15DPOW1-D	LE40XZSN20DPOW1-D
NPN NC	LE40XZSF15DNCW1-D	LE40XZSN20DNCW1-D	PNP NC	LE40XZSF15DPCW1-D	LE40XZSN20DPCW1-D
NPN NO+NC	LE40XZSF15DNRW1-D	LE40XZSN20DNRW1-D	PNP NO+NC	LE40XZSF15DPRW1-D	LE40XZSN20DPRW1-D

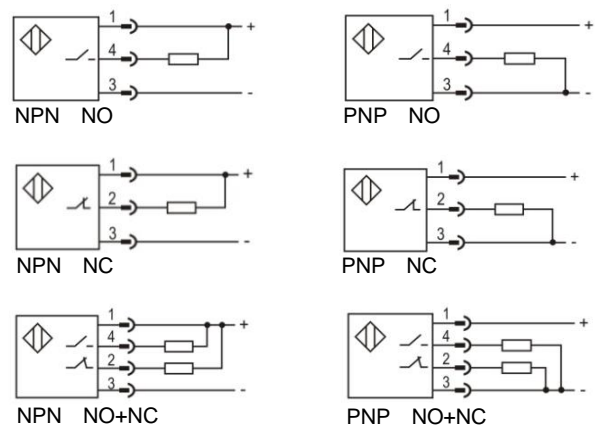
Technical specifications

Mounting	Flush	Non-flush	Current consumption	≤15mA	
Rated distance [Sn]	15mm	20mm	Circuit protection	Short-circuit, overload and reverse polarity	
Assured distance [Sa]	0...12mm/0...16mm		Output indicator	Yellow LED	
Dimensions	40*40*140mm		Ambient temperature	-40°C...70°C	
Output	NO/NC(depends on part number)		Ambient humidity	35...95%RH	
Supply voltage	10...30 VDC		Switching frequency [F]	300 Hz	200 Hz
Standard target	Fe 45*45*1t	Fe60*60*1t	Voltage withstand	1000V/AC 50/60Hz 60s	
Switch-point drifts[%/Sr]	≤ ± 10%		Insulation resistance	≥50MΩ(500VDC)	
Hysteresis range [%/Sr]	1...20%		Vibration resistance	10...50Hz (1.5mm)	
Repeat accuracy [R]	≤ 3%		Degree of protection	IP67	
Load current	≤ 200mA		Housing material	PBT	
Residual voltage	≤ 2.5V		Connection type	Terminal	

Dimensions



Wiring diagram



Plastic square shape inductive sensors **LE40SZ** series



Features

- ◆ Special compensating circuit design;
- ◆ Wider tempature range -25~+100°C;
- ◆ Perfect choice for metal casting and glass industry etc;



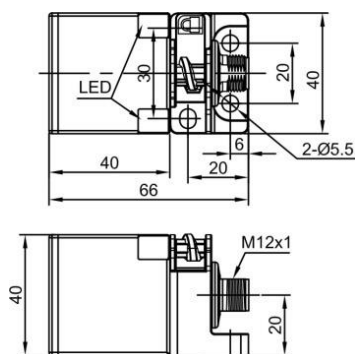
Part number

NPN NO	LE40SZSF15DNOW2-E2	LE40SZSN20DNOW2-E2	PNP NO	LE40SZSF15DPOW2-E2	LE40SZSN20DNOW2-E2
NPN NC	LE40SZSF15DNCW2-E2	LE40SZSN20DNCW2-E2	PNP NC	LE40SZSF15DPCW2-E2	LE40SZSN20DNCW2-E2
NPN NO+NC	LE40SZSF15DNRW2-E2	LE40SZSN20DNRW2-E2	PNP NO+NC	LE40SZSF15DPRW2-E2	LE40SZSN20DNRW2-E2

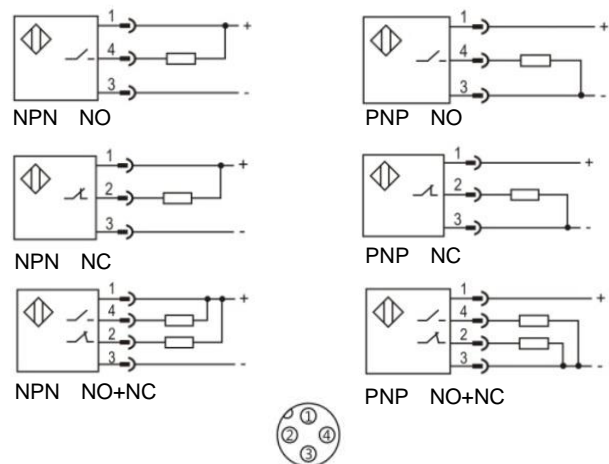
Technical specifications

Mounting	Flush	Non-flush	Current consumption	≤15mA	
Rated distance [Sn]	15mm	20mm	Circuit protection	Reverse polarity protection	
Assured distance [Sa]	0...12mm0...16mm		Output indicator	Yellow LED	
Dimensions	40*40*66mm		Ambient temperature	-25°C...+100°C	
Output	NO/NC(depends on part number)		Ambient humidity	35...95%RH	
Supply voltage	10...30 VDC		Switching frequency [F]	300 Hz	200 Hz
Standard target	Fe 45*45*1t	Fe 60*60*1t	Voltage withstand	1000V/AC 50/60Hz 60s	
Switch-point drifts[%/Sr]	≤±10%		Insulation resistance	≥50MΩ(500VDC)	
Hysteresis range [%/Sr]	1...20%		Vibration resistance	10...50Hz (1.5mm)	
Repeat accuracy [R]	≤5%		Degree of protection	IP67	
Load current	≤150mA		Housing material	PBT	
Residual voltage	≤2.5V		Connection type	M12 connector	

Dimensions



Wiring diagram



Plastic square shape inductive sensors **LE40SZ** series


## Features

- ◆ Special compensating circuit design;
- ◆ Wider tempature range -40~+70°C;
- ◆ Perfect choice for Cryogenic system, outdoor condition etc



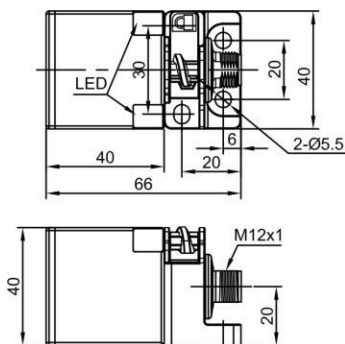
## Part number

NPN NO	LE40SZSF15DNOW1-E2	LE40SZSN20DNOW1-E2	PNP NO	LE40SZSF15DPOW1-E2	LE40SZSN20DPOW1-E2
NPN NC	LE40SZSF15DNCW1-E2	LE40SZSN20DNCW1-E2	PNP NC	LE40SZSF15DPCW1-E2	LE40SZSN20DPCW1-E2
NPN NO+NC	LE40SZSF15DNRW1-E2	LE40SZSN20DNRW1-E2	PNP NO+NC	LE40SZSF15DPRW1-E2	LE40SZSN20DPRW1-E2

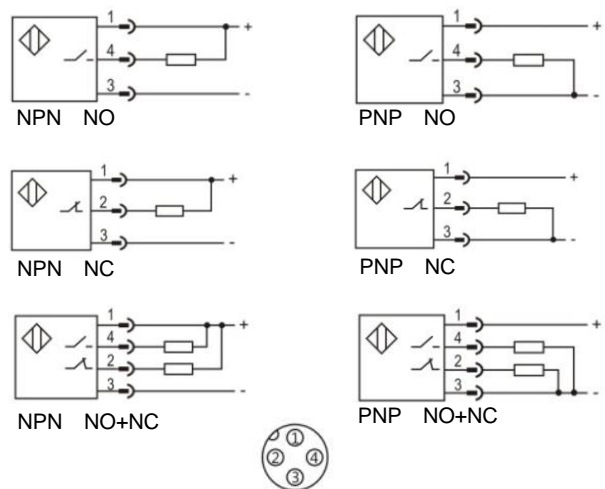
## Technical specifications

Mounting	Flush	Non-flush	Current consumption	≤15mA	
Rated distance [Sn]	15mm	20mm	Circuit protection	Short-circuit, overload and reverse polarity	
Assured distance [Sa]	0...12mm0...16mm		Output indicator	Yellow LED	
Dimensions	40*40*66mm		Ambient temperature	-40°C...70°C	
Output	NO/NC(depends on part number)		Ambient humidity	35...95%RH	
Supply voltage	10...30 VDC		Switching frequency [F]	300 Hz	200 Hz
Standard target	Fe 45*45*1t	Fe60*60*1t	Voltage withstand	1000V/AC 50/60Hz 60s	
Switch-point drifts[%/Sr]	≤ ± 10%		Insulation resistance	≥50MΩ(500VDC)	
Hysteresis range [%/Sr]	1...20%		Vibration resistance	10...50Hz (1.5mm)	
Repeat accuracy [R]	≤ 3%		Degree of protection	IP67	
Load current	≤ 200mA		Housing material	PBT	
Residual voltage	≤ 2.5V		Connection type	M12 connector	

## Dimensions



## Wiring diagram



Plastic square shape inductive sensors **LE40XZ** series



Features

- ◆ Special compensating circuit design;
- ◆ Wider tempature range -40~+70°C;
- ◆ Perfect choice for Cryogenic system, outdoor condition etc



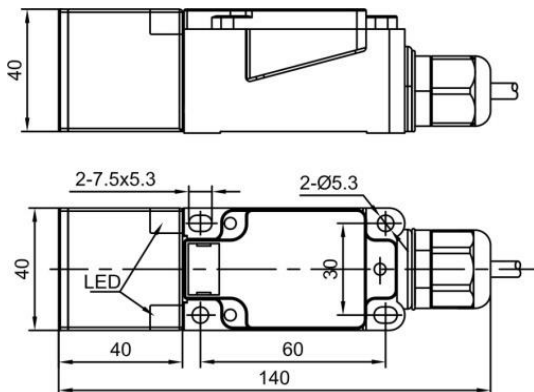
Part number

NPN NO	LE40XZSF15DNOW1-D	LE40XZSN20DNOW1-D	PNP NO	LE40XZSF15DPOW1-D	LE40XZSN20DPOW1-D
NPN NC	LE40XZSF15DNCW1-D	LE40XZSN20DNCW1-D	PNP NC	LE40XZSF15DPCW1-D	LE40XZSN20DPCW1-D
NPN NO+NC	LE40XZSF15DNRW1-D	LE40XZSN20DNRW1-D	PNP NO+NC	LE40XZSF15DPRW1-D	LE40XZSN20DPRW1-D

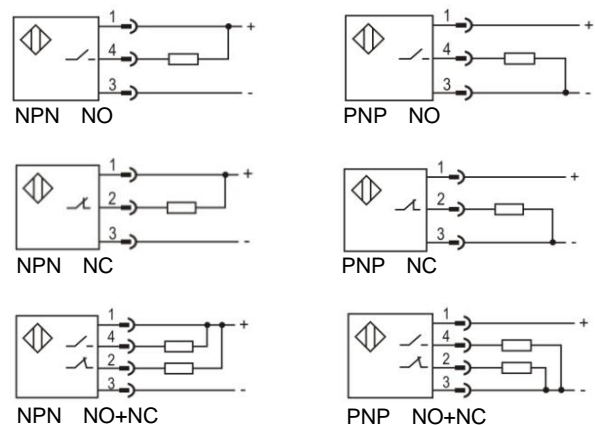
Technical specifications

Mounting	Flush	Non-flush	Current consumption	≤15mA	
Rated distance [Sn]	15mm	20mm	Circuit protection	Short-circuit, overload and reverse polarity	
Assured distance [Sa]	0...12mm/0...16mm		Output indicator	Yellow LED	
Dimensions	40*40*140mm		Ambient temperature	-40°C...70°C	
Output	NO/NC(depends on part number)		Ambient humidity	35...95%RH	
Supply voltage	10...30 VDC		Switching frequency [F]	300 Hz	200 Hz
Standard target	Fe 45*45*1t	Fe60*60*1t	Voltage withstand	1000V/AC 50/60Hz 60s	
Switch-point drifts[%/Sr]	≤±10%		Insulation resistance	≥50MΩ(500VDC)	
Hysteresis range [%/Sr]	1...20%		Vibration resistance	10...50Hz (1.5mm)	
Repeat accuracy [R]	≤3%		Degree of protection	IP67	
Load current	≤200mA		Housing material	PBT	
Residual voltage	≤2.5V		Connection type	Terminal	

Dimensions



Wiring diagram



Plastic square shape inductive sensors **LE40SZ** series



Features

- ◆ Special compensating circuit design;
- ◆ Wider tempature range -40~+70°C;
- ◆ Perfect choice for Cryogenic system, outdoor condition etc



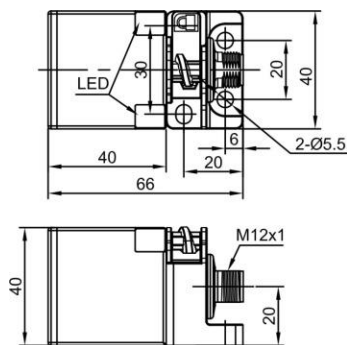
Part number

NPN NO	LE40SZSF15DNOW1-E2	LE40SZSN20DNOW1-E2	PNP NO	LE40SZSF15DPOW1-E2	LE40SZSN20DPOW1-E2
NPN NC	LE40SZSF15DNCW1-E2	LE40SZSN20DNCW1-E2	PNP NC	LE40SZSF15DPCW1-E2	LE40SZSN20DPCW1-E2
NPN NO+NC	LE40SZSF15DNRW1-E2	LE40SZSN20DNRW1-E2	PNP NO+NC	LE40SZSF15DPRW1-E2	LE40SZSN20DPRW1-E2

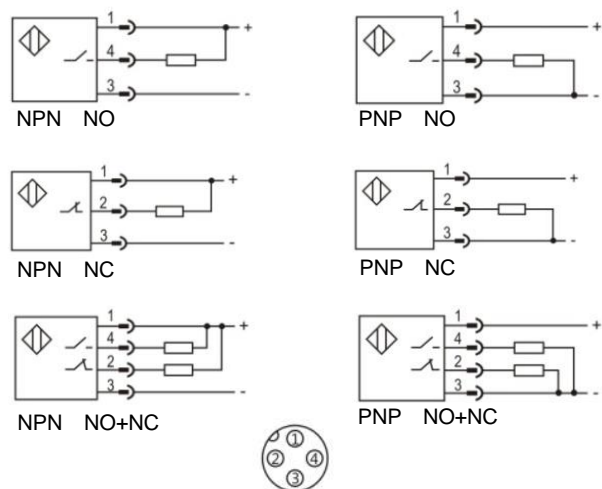
Technical specifications

Mounting	Flush	Non-flush	Current consumption	≤15mA	
Rated distance [Sn]	15mm	20mm	Circuit protection	Short-circuit, overload and reverse polarity	
Assured distance [Sa]	0...12mm/0...16mm		Output indicator	Yellow LED	
Dimensions	40*40*66mm		Ambient temperature	-40°C...70°C	
Output	NO/NC(depends on part number)		Ambient humidity	35...95%RH	
Supply voltage	10...30 VDC		Switching frequency [F]	300 Hz	200 Hz
Standard target	Fe 45*45*1t	Fe60*60*1t	Voltage withstand	1000V/AC 50/60Hz 60s	
Switch-point drifts[%/Sr]	≤ ± 10%		Insulation resistance	≥50MΩ(500VDC)	
Hysteresis range [%/Sr]	1...20%		Vibration resistance	10...50Hz (1.5mm)	
Repeat accuracy [R]	≤ 3%		Degree of protection	IP67	
Load current	≤ 200mA		Housing material	PBT	
Residual voltage	≤ 2.5V		Connection type	M12 connector	

Dimensions



Wiring diagram



## По вопросам продаж и поддержки обращайтесь:

Алматы (727)345-47-04  
Ангарск (3955)60-70-56  
Архангельск (8182)63-90-72  
Астрахань (8512)99-46-04  
Барнаул (3852)73-04-60  
Белгород (4722)40-23-64  
Благовещенск (4162)22-76-07  
Брянск (4832)59-03-52  
Владивосток (423)249-28-31  
Владикавказ (8672)28-90-48  
Владимир (4922)49-43-18  
Волгоград (844)278-03-48  
Вологда (8172)26-41-59  
Воронеж (473)204-51-73  
Екатеринбург (343)384-55-89

Иваново (4932)77-34-06  
Ижевск (3412)26-03-58  
Иркутск (395)279-98-46  
Казань (843)206-01-48  
Калининград (4012)72-03-81  
Калуга (4842)92-23-67  
Кемерово (3842)65-04-62  
Киров (8332)68-02-04  
Коломна (4966)23-41-49  
Кострома (4942)77-07-48  
Краснодар (861)203-40-90  
Красноярск (391)204-63-61  
Курск (4712)77-13-04  
Курган (3522)50-90-47  
Липецк (4742)52-20-81

Магнитогорск (3519)55-03-13  
Москва (495)268-04-70  
Мурманск (8152)59-64-93  
Набережные Челны (8552)20-53-41  
Новокузнецк (3843)20-46-81  
Ноябрьск (3496)41-32-12  
Новосибирск (383)227-86-73  
Омск (3812)21-46-40  
Орел (4862)44-53-42  
Оренбург (3532)37-68-04  
Пенза (8412)22-31-16  
Петрозаводск (8142)55-98-37  
Псков (8112)59-10-37  
Пермь (342)205-81-47

Ростов-на-Дону (863)308-18-15  
Рязань (4912)46-61-64  
Самара (846)206-03-16  
Санкт-Петербург (812)309-46-40  
Саратов (845)249-38-78  
Севастополь (8692)22-31-93  
Саранск (8342)22-96-24  
Симферополь (3652)67-13-56  
Смоленск (4812)29-41-54  
Сочи (862)225-72-31  
Ставрополь (8652)20-65-13  
Сургут (3462)77-98-35  
Сыктывкар (8212)25-95-17  
Тамбов (4752)50-40-97  
Тверь (4822)63-31-35

Тольятти (8482)63-91-07  
Томск (3822)98-41-53  
Тула (4872)33-79-87  
Тюмень (3452)66-21-18  
Ульяновск (8422)24-23-59  
Улан-Удэ (3012)59-97-51  
Уфа (347)229-48-12  
Хабаровск (4212)92-98-04  
Чебоксары (8352)28-53-07  
Челябинск (351)202-03-61  
Череповец (8202)49-02-64  
Чита (3022)38-34-83  
Якутск (4112)23-90-97  
Ярославль (4852)69-52-93

**Россия** +7(495)268-04-70

**Казахстан** +(727)345-47-04

**Беларусь** +(375)257-127-884

**Узбекистан** +998(71)205-18-59

**Киргизия** +996(312)96-26-47

эл.почта: [ahj@nt-rt.ru](mailto:ahj@nt-rt.ru) || сайт: <https://lanbao.nt-rt.ru/>