

Лазерные дальномеры PDB

Технические характеристики

По вопросам продаж и поддержки обращайтесь:

Алматы (727)345-47-04
Ангарск (3955)60-70-56
Архангельск (8182)63-90-72
Астрахань (8512)99-46-04
Барнаул (3852)73-04-60
Белгород (4722)40-23-64
Благовещенск (4162)22-76-07
Брянск (4832)59-03-52
Владивосток (423)249-28-31
Владикавказ (8672)28-90-48
Владимир (4922)49-43-18
Волгоград (844)278-03-48
Вологда (8172)26-41-59
Воронеж (473)204-51-73
Екатеринбург (343)384-55-89

Иваново (4932)77-34-06
Ижевск (3412)26-03-58
Иркутск (395)279-98-46
Казань (843)206-01-48
Калининград (4012)72-03-81
Калуга (4842)92-23-67
Кемерово (3842)65-04-62
Киров (8332)68-02-04
Коломна (4966)23-41-49
Кострома (4942)77-07-48
Краснодар (861)203-40-90
Красноярск (391)204-63-61
Курск (4712)77-13-04
Курган (3522)50-90-47
Липецк (4742)52-20-81

Магнитогорск (3519)55-03-13
Москва (495)268-04-70
Мурманск (8152)59-64-93
Набережные Челны (8552)20-53-41
Нижний Новгород (831)429-08-12
Новокузнецк (3843)20-46-81
Ноябрьск (3496)41-32-12
Новосибирск (383)227-86-73
Омск (3812)21-46-40
Орел (4862)44-53-42
Оренбург (3532)37-68-04
Пенза (8412)22-31-16
Петрозаводск (8142)55-98-37
Псков (8112)59-10-37
Пермь (342)205-81-47

Ростов-на-Дону (863)308-18-15
Рязань (4912)46-61-64
Самара (846)206-03-16
Санкт-Петербург (812)309-46-40
Саратов (845)249-38-78
Севастополь (8692)22-31-93
Саранск (8342)22-96-24
Симферополь (3652)67-13-56
Смоленск (4812)29-41-54
Сочи (862)225-72-31
Ставрополь (8652)20-65-13
Сургут (3462)77-98-35
Сыктывкар (8212)25-95-17
Тамбов (4752)50-40-97
Тверь (4822)63-31-35

Тольятти (8482)63-91-07
Томск (3822)98-41-53
Тула (4872)33-79-87
Тюмень (3452)66-21-18
Ульяновск (8422)24-23-59
Улан-Удэ (3012)59-97-51
Уфа (347)229-48-12
Хабаровск (4212)92-98-04
Чебоксары (8352)28-53-07
Челябинск (351)202-03-61
Череповец (8202)49-02-64
Чита (3022)38-34-83
Якутск (4112)23-90-97
Ярославль (4852)69-52-93

Россия +7(495)268-04-70

Казахстан +(727)345-47-04

Беларусь +(375)257-127-884

Узбекистан +998(71)205-18-59

Киргизия +996(312)96-26-47

эл.почта: ahj@nt-rt.ru || сайт: <https://lanbao.nt-rt.ru/>

Laser distance measuring sensor PDB series

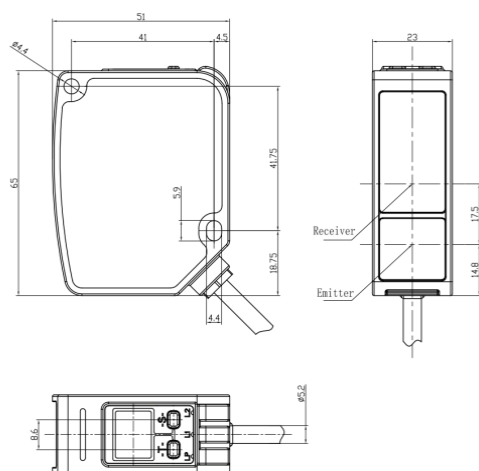


Model specification

RS-485	PDB-CM8DGR	4...20mA	PDB-CM8TGI
		0...10V	PDB-CM8TGU
Specifications			
Measuring range	0.2...8m ^①	Distance setting	RS-485:button/RS-485 setting; 4...20mA/0...10V:button setting
Supply voltage	RS-485:10...30VD;4...20mA/0...10V:12...24VDC	Indicator	Power indicator: Green LED;
Consumption current	≤70mA		Action indicator: Yellow LED, Yellow LED
Load current	50mA	Hysteresis	Less than 2m 3cm; 2% above 2m
Voltage drop	<2.5V	Circuit protection	Short circuit; reverse polarity
Light source	Infrared laser(850nm); Laser level: Class 3R	Built-in function	Button to lock; button to unlock; action point setting;
Working principle	TOF		Output setting; single point teach;
Average optical power	20mW		Window teach mode setting; factory date reset;
Impulse duration	100ns		Slave address, Port rate setting(only for RS-485)
Impulse frequency	10MHZ	Service environment	Operating temperature:-10...+50°C
Testing frequency	100HZ	Anti-ambient light	< 20,000lux
Light spot	RS-485/4...20mA/0...10V: 90*90mm(at 5m meter)	Protection degree	IP67
Resolution	1mm	Material	Housing: ABS; Lens cover: PMMA
Linear accuracy	±1%F.S. ^②	Vibration resistance	10...55Hz Double amplitude1mm,2H each in X,Y,Z directions
Repeat accuracy	±1%	Impulse resistance	500m/s ² (About 50G) 3 times each in X,Y,Z directions
Output 1	RS-485(Support Modbus protocol)	Connection way	RS-485: 2m 5pins PVC cable;4...20mA: 2m 4pins PVC cable
	4...20mA(Load resistance < 300Ω)		0...10V: 2m 4pins PVC cable
	0...10V(Load resistance > 5K)	Accessories	Screw(M4×35mm)×2, Nut×2, Washer×2,
Output 2	PUSH-PULL/NPN/PNP And NO/NC Settable		Mounting bracket, Operation manual
Dimensions	65mm*51mm*23mm		

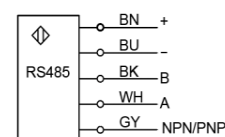
Note: ① Detection object is 90% white card

Dimension

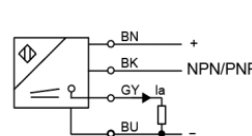


Wiring diagram

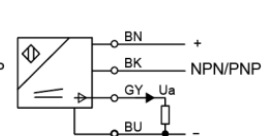
Serial communication RS-485



Analog output 4...20mA



Analog output 0...10V



Laser distance measuring sensor PDB series



Feature description

- Exquisite appearance and light plastic housing, easy to mount and dismount
- Only by pressing Long and short combination of two keys S, T to complete all function settings fastly
- Small diameter light spot to accurately measure very tiny objects
- Key or remote teach-in to easily set response time for different applications
- Powerful function setting and flexible output way
- Complete shielded design, stronger anti-interference performance
- IP67 protection degree, able to work in water or dusty environment



Model specification

RS-485	PDB-CC50DGR	4...20mA	PDB-CC50TGI
--------	-------------	----------	-------------

Specifications

Measuring range	80...500mm	Display	OLED Display(size:14*10.7mm)
Full scale(F.S.)	420mm	Temperature drift	±0.02%F.S./°C
Supply voltage	RS-485:10...30VDC;4...20mA:12...24VDC	Indicator	Power indicator:Green LED;Action indicator:Yellow LED
Consumption power	≤700mW		Alarm indicator:Yellow LED
Load current	200mA	Protection circuit④	Short circuit,reverse polarity,overload protection
Voltage drop	<2.5V	Built-in function⑤	Slave address & Port rate setting;Parameter query
Light source	Red laser(650nm);Laser level:Class 2		Product self-check;Output setting;Average setting
Light spot	Φ2.5mm@500mm		Single point teach;Window teach;Restore factory settings
Resolution	15um@80mm;500um@500mm	Service environment	Operation temperature:-10...+50°C
Linear accuracy①	RS-485:±0.3%F.S.;4...20mA:±0.4%F.S.		Storage temperature:-20...+70°C
Repeat accuracy①②③	30um@80mm;250um@250mm;		Ambient temperature:35...85%RH(No condensation)
	1000um@500mm	Anti ambient light	Incandescent light: < 3,000lux
Output1	RS-485(Support Modbus protocol)	Protection degree	IP67
	4...20mA(Load resistance < 390Ω)	Material	Housing: ABS;Lens cover:PMMA
Output2	PUSH-PULL/NPN/PNP And NO/NC Settable	Vibration resistance	10...55Hz Double amplitude1mm,2H each in X,Y,Z directions
Distance setting	RS-485:Keypress/RS-485 setting	Impulse resistance	500m/s²(About 50G)3 times each in X,Y, Z directions
	4...20mA:Keypress setting	Connection way	RS-485:2m 5pins PVC cable;4...20mA:2m 4pins PVC cable
Response time	2ms/16ms/40ms Settable	Accessory	Screw(M4×35mm)×2、Nut×2、Washer×2、Mounting bracket、Operation manual
Dimension	65*51*23mm		

Remark:

①Test conditions:Standard data at 23 ± 5 °C ;Supply voltage 24VDC;30 minutes' warmup before test;Sampling period 2ms;Average sampling times 100;Standard sensing object 90% white card

②The statistical data follows the 3σ criteria

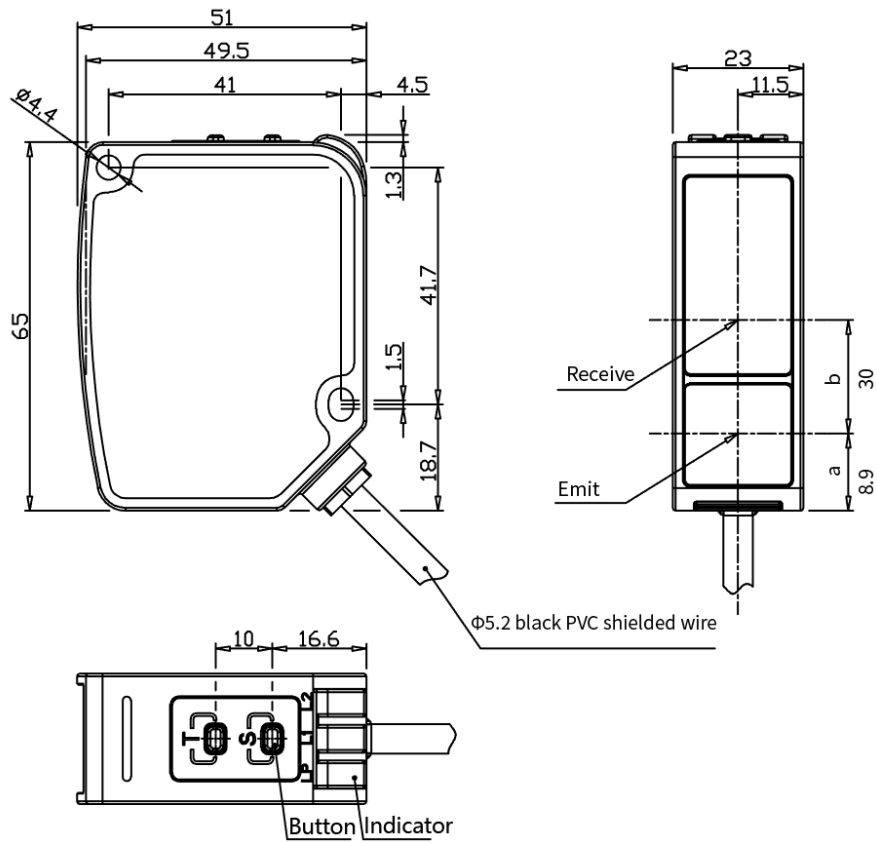
③Repeat accuracy:23 ± 5 °C environment,90% reflectivity white card,100 test data results

④Slave address,baud rate setting only for RS-485 series

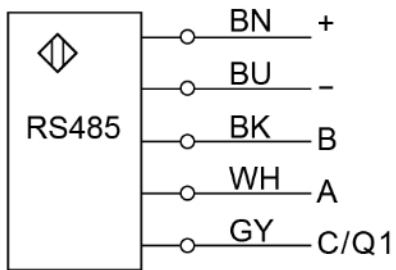
⑤Protection circuit only for switch output

⑥Product operation steps and precautions in "Operation manual"

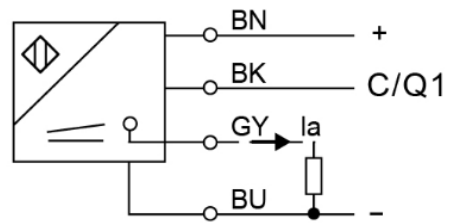
Dimension



Wiring diagram



Serial communication RS-485



Analog output 4...20mA

Remark:
The sensors are equipped with shielded cables, Q is the switch output.

Digital display laser distance measuring sensor PDB series



Feature description

- Exquisite appearance and light plastic housing, easy to mount and dismount
- Convenient operation panel with visualized OLED display to complete all function settings fastly
- Small diameter light spot to accurately measure very tiny objects
- Key or remote teach-in to easily set response time for different applications
- Powerful function setting and flexible output way
- Complete shielded design, stronger anti-interference performance
- IP67 protection degree, able to work in water or dusty environment



Model specification

RS-485	PDB-CC100DGR	4...20mA	PDB-CC100TGI
--------	--------------	----------	--------------

Specifications

Measuring range	150...1000mm	Temperature drift	±0.02%F.S./°C
Supply voltage	RS-485:10...30VDC;4...20mA:12...24VDC	Indicator	Power indicator:Green LED;Action indicator:Yellow LED
Consumption power	≤700mW		Alarm indicator:Yellow LED
Load current	200mA	Protection circuit④	Short circuit,reverse polarity,overload protection
Voltage drop	<2.5V	Built-in function⑤	Slave address & Baud rate setting;Average setting;Product self-check
Light source	Red laser(650nm);Laser level:Class 2		Analog map settings;Output setting;Restore factory settings
Light spot	Φ3mm@1000mm		Single point teach;Window teach;Parameter query
Resolution	50um@150mm;2000um@1000mm	Service environment	Operation temperature:-10...+50°C
Linear accuracy①②	±0.6%F.S.		Storage temperature:-20...+70°C
Repeat accuracy①②③	100um@150mm;520um@500mm;4000um@1000mm		Ambient temperature:35...85%RH(No condensation)
Output1	RS-485(Support Modbus protocol)	Anti ambient light	Incandescent light: < 3,000lux
	4...20mA(Load resistance < 390Ω)	Protection degree	IP67
Output2	PUSH-PULL/NPN/PNP And NO/NC Settable	Material	Housing:plastic ABS;Lens cover:PMMA;Display panel: PC
Distance setting	RS-485:Keypress/RS-485 setting	Vibration resistance	10...55Hz Double amplitude1mm,2H each in X,Y,Z directions
	4...20mA:Keypress setting	Impulse resistance	500m/s²(About 50G)3 times each in X,Y,Z directions
Response time	2ms/16ms/40ms Settable	Connection way	RS-485:2m 5pins PVC cable;4...20mA:2m 4pins PVC cable
Dimension	65*51*23mm	Accessory	Screw(M4×35mm)×2、Nut×2、Washer×2、Mounting bracket、Operation manual
Display	OLED Display(size:14*10.7mm)		

Remark:

①Test conditions:Standard data at 23 ± 5 °C ;Supply voltage 24VDC;30 minutes' warmup before test;Sampling period 2ms;Average sampling times 100;Standard sensing object 90% white card

②The statistical data follows the 3σ criteria

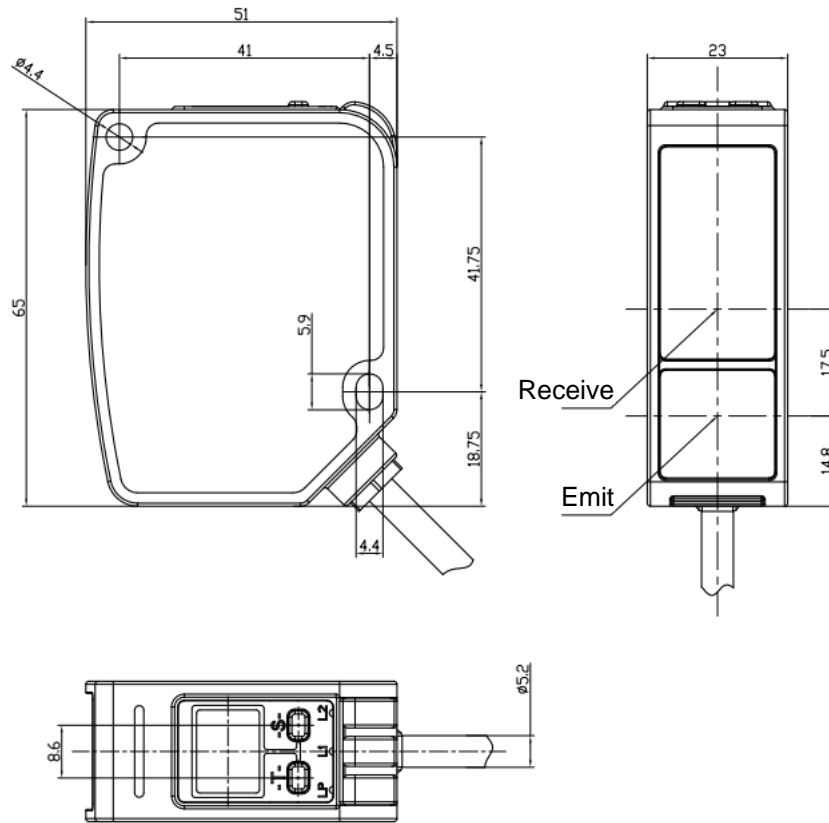
③Repeat accuracy:23 ± 5 °C environment,90% reflectivity white card,100 test data results

④Slave address,baud rate setting only for RS-485 series

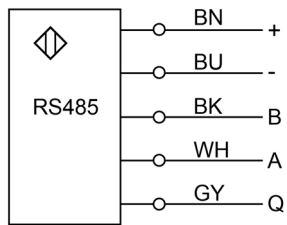
⑤Protection circuit only for switch output

⑥Product operation steps and precautions in "Operation manual"

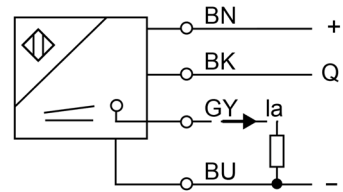
Dimension



Wiring diagram



Serial communication RS-485



Analog output 4...20mA

Remark:
The sensors are equipped with shielded cables, Q is the switch output.

Digital display laser distance measuring sensor PDB series



Feature description

- Exquisite appearance and light plastic housing, easy to mount and dismount
- Convenient operation panel with visualized OLED display to complete all function settings fastly
- Small diameter light spot to accurately measure very tiny objects
- Key or remote teach-in to easily set response time for different applications
- Powerful function setting and flexible output way
- Complete shielded design, stronger anti-interference performance
- IP67 protection degree, able to work in water or dusty environment



Model specification

RS-485	PDB-CC50DGR	4...20mA	PDB-CC50TGI
--------	-------------	----------	-------------

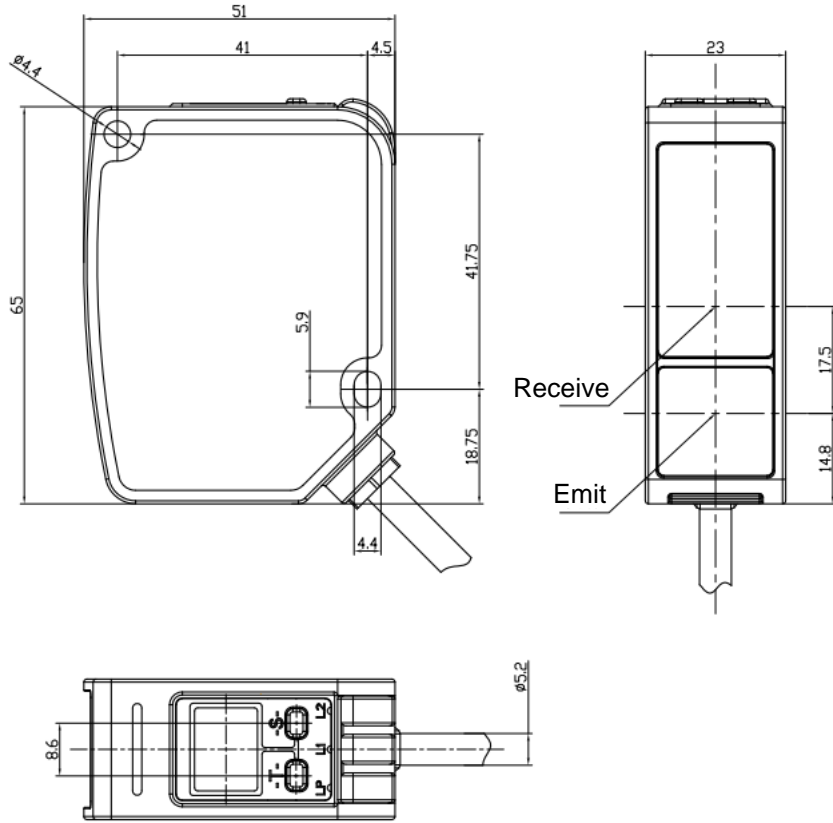
Specifications

Measuring range	80...500mm	Temperature drift	±0.02%F.S./°C
Supply voltage	RS-485:10...30VDC; 4...20mA:12...24VDC	Indicator	Power indicator:Green LED;Action indicator:Yellow LED
Consumption power	≤700mW		Alarm indicator:Yellow LED
Load current	200mA	Protection circuit④	Short circuit,reverse polarity,overload protection
Voltage drop	<2.5V	Built-in function⑤	Slave address & Baud rate setting;Average setting;Product self-check
Light source	Red laser(650nm);Laser level:Class 2		Analog map settings;Output setting;Restore factory settings
Light spot	Φ2.5mm@500mm		Single point teach;Window teach;Parameter query
Resolution	15um@80mm;500um@500mm	Service environment	Operation temperature:-10...+50°C
Linear accuracy①②	RS-485:±0.3%F.S.;4...20mA:±0.4%F.S.		Storage temperature:-20...+70°C
Repeat accuracy①②③	30um@80mm;250um@250mm;1000um@500mm		Ambient temperature:35...85%RH(No condensation)
Output1	RS-485(Support Modbus protocol)	Anti ambient light	Incandescent light: < 3,000lux
	4...20mA(Load resistance < 390Ω)	Protection degree	IP67
Output2	PUSH-PULL/NPN/PNP And NO/NC Settable	Material	Housing:plastic ABS;Lens cover:PMMA;Display panel:PC
Distance setting	RS-485:Keypress/RS-485 setting	Vibration resistance	10...55Hz Double amplitude 1mm, 2H each in X,Y,Z directions
	4...20mA:Keypress setting	Impulse resistance	500m/s²(About 50G) 3 times each in X,Y, Z directions
Response time	2ms/16ms/40ms Settable	Connection way	RS-485:2m 5pins PVC cable;4...20mA:2m 4pins PVC cable
Dimension	65*51*23mm	Accessory	Screw(M4×35mm)×2、Nut×2、Washer×2、Mounting bracket、Operation manual
Display	OLED Display(size:14*10.7mm)		

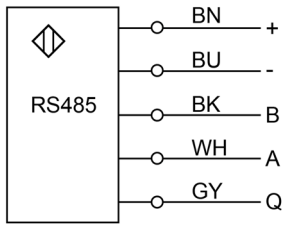
Remark:

- ①Test conditions:Standard data at 23 ± 5 °C ;Supply voltage 24VDC;30 minutes' warmup before test;Sampling period 2ms;Average sampling times 100;Standard sensing object 90% white card
- ②The statistical data follows the 3σ criteria
- ③Repeat accuracy:23 ± 5 °C environment,90% reflectivity white card,100 test data results
- ④Slave address,baud rate setting only for RS-485 series
- ⑤Protecion circuit only for switch output.
- ⑥Product operation steps and precautions in "Operation manual"

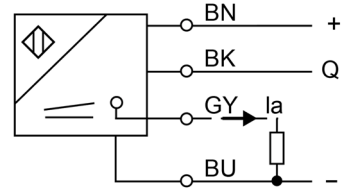
Dimension



Wiring diagram



Serial communication RS-485



Analog output 4...20mA

Remark:
The sensors are equipped with shielded cables, Q is the switch output.

Digital display laser distance measuring sensor PDB series



Feature description

- Exquisite appearance and light plastic housing, easy to mount and dismount
- Convenient operation panel with visualized OLED display to complete all function settings fastly
- Small diameter light spot to accurately measure very tiny objects
- Key or remote teach-in to easily set response time for different applications
- Powerful function setting and flexible output way
- Complete shielded design, stronger anti-interference performance
- IP67 protection degree, able to work in water or dusty environment



Model specification

RS-485	PDB-CC10DGR	4...20mA	PDB-CC10TGI
--------	-------------	----------	-------------

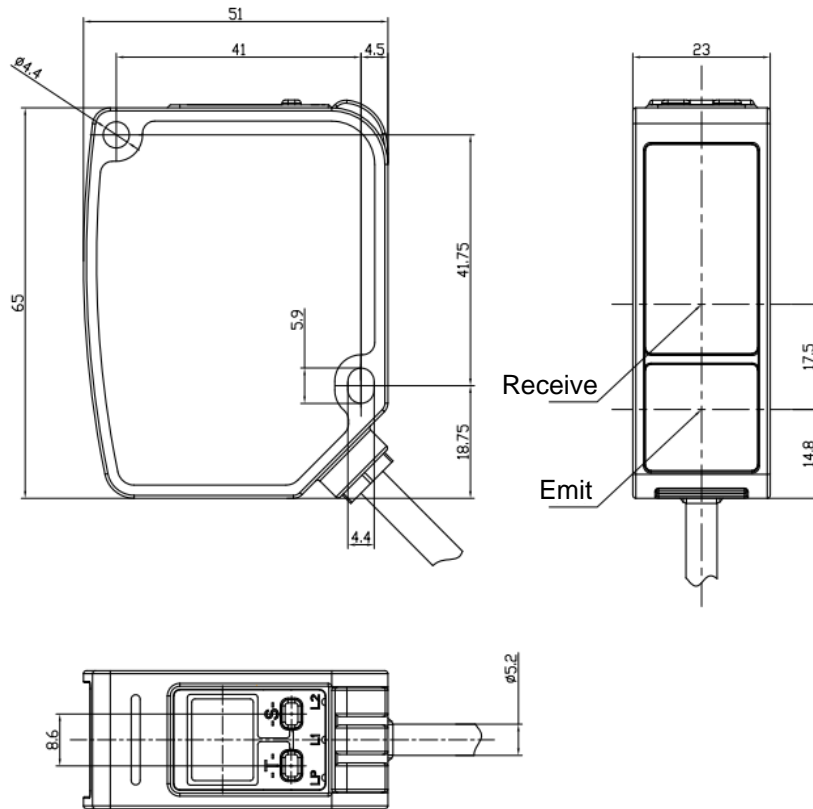
Specifications

Measuring range	30...100mm	Temperature drift	±0.02%F.S./°C
Supply voltage	RS-485:10...30VDC;4...20mA:12...24VDC	Indicator	Power indicator:Green LED;Action indicator:Yellow LED
Consumption power	≤700mW		Alarm indicator:Yellow LED
Load current	200mA	Protection circuit④	Short circuit,reverse polarity,overload protection
Voltage drop	<2.5V	Built-in function⑤	Slave address & Baud rate setting ;Average setting;Product self-check
Light source	Red laser(650nm);Laser level:Class 2		Analog map settings;Output setting;Restore factory settings
Light spot	1mm*3mm@100mm		Single point teach;Window teach;Parameter query
Resolution	5um@30mm;50um@100mm	Service environment	Operation temperature:-10...+50°C
Linear accuracy①②	RS-485:±0.3%F.S.;4...20mA:±0.4%F.S.		Storage temperature:-20...+70°C
Repeat accuracy①②③	10um@30mm;30um@50mm;100um@100mm		Ambient temperature:35...85%RH(No condensation)
Output1	RS-485(Support Modbus protocol)	Anti ambient light	Incandescent light: < 3,000lux
	4...20mA(Load resistance < 390Ω)	Protection degree	IP67
Output2	PUSH-PULL/NPN/PNP And NO/NC Settable	Material	Housing:plastic ABS;Lens cover:PMMA;Display panel: PC
Distance setting	RS-485:Keypress/RS-485 setting	Vibration resistance	10...55Hz Double amplitude1mm,2H each in X,Y,Z directions
	4...20mA:Keypress setting	Impulse resistance	500m/s²(About 50G)3 times each in X,Y,Z directions
Response time	2ms/16ms/40ms Settable	Connection way	RS-485:2m 5pins PVC cable;4...20mA:2m 4pins PVC cable
Dimension	65*51*23mm	Accessory	Screw(M4×35mm)×2、Nut×2、Washer×2、Mounting bracket、Operation manual
Display	OLED Display(size:14*10.7mm)		

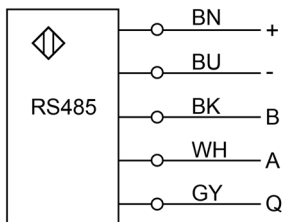
Remark:

- ①Test conditions:Standard data at 23 ± 5 °C ;Supply voltage 24VDC;30 minutes' warmup before test;Sampling period 2ms;Average sampling times 100;Standard sensing object 90% white card
- ②The statistical data follows the 3σ criteria
- ③Repeat accuracy:23 ± 5 °C environment,90% reflectivity white card,100 test data results
- ④Slave address,baud rate setting only for RS-485 series
- ⑤Protecion circuit only for switch output
- ⑥Product operation steps and precautions in "Operation manual"

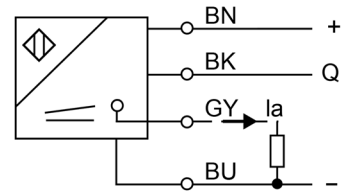
Dimension



Wiring diagram



Serial communication RS-485



Analog output 4..20mA

Remark:
The sensors are equipped with shielded cables, Q is the switch output.

По вопросам продаж и поддержки обращайтесь:

Алматы (727)345-47-04
Ангарск (3955)60-70-56
Архангельск (8182)63-90-72
Астрахань (8512)99-46-04
Барнаул (3852)73-04-60
Белгород (4722)40-23-64
Благовещенск (4162)22-76-07
Брянск (4832)59-03-52
Владивосток (423)249-28-31
Владикавказ (8672)28-90-48
Владимир (4922)49-43-18
Волгоград (844)278-03-48
Вологда (8172)26-41-59
Воронеж (473)204-51-73
Екатеринбург (343)384-55-89

Иваново (4932)77-34-06
Ижевск (3412)26-03-58
Иркутск (395)279-98-46
Казань (843)206-01-48
Калининград (4012)72-03-81
Калуга (4842)92-23-67
Кемерово (3842)65-04-62
Киров (8332)68-02-04
Коломна (4966)23-41-49
Кострома (4942)77-07-48
Краснодар (861)203-40-90
Красноярск (391)204-63-61
Курск (4712)77-13-04
Курган (3522)50-90-47
Липецк (4742)52-20-81

Магнитогорск (3519)55-03-13
Москва (495)268-04-70
Мурманск (8152)59-64-93
Набережные Челны (8552)20-53-41
Новокузнецк (3843)20-46-81
Ноябрьск (3496)41-32-12
Новосибирск (383)227-86-73
Омск (3812)21-46-40
Орел (4862)44-53-42
Оренбург (3532)37-68-04
Пенза (8412)22-31-16
Петрозаводск (8142)55-98-37
Псков (8112)59-10-37
Пермь (342)205-81-47

Ростов-на-Дону (863)308-18-15
Рязань (4912)46-61-64
Самара (846)206-03-16
Санкт-Петербург (812)309-46-40
Саратов (845)249-38-78
Севастополь (8692)22-31-93
Саранск (8342)22-96-24
Симферополь (3652)67-13-56
Смоленск (4812)29-41-54
Сочи (862)225-72-31
Ставрополь (8652)20-65-13
Сургут (3462)77-98-35
Сыктывкар (8212)25-95-17
Тамбов (4752)50-40-97
Тверь (4822)63-31-35

Тольятти (8482)63-91-07
Томск (3822)98-41-53
Тула (4872)33-79-87
Тюмень (3452)66-21-18
Ульяновск (8422)24-23-59
Улан-Удэ (3012)59-97-51
Уфа (347)229-48-12
Хабаровск (4212)92-98-04
Чебоксары (8352)28-53-07
Челябинск (351)202-03-61
Череповец (8202)49-02-64
Чита (3022)38-34-83
Якутск (4112)23-90-97
Ярославль (4852)69-52-93

Россия +7(495)268-04-70

Казахстан +(727)345-47-04

Беларусь +(375)257-127-884

Узбекистан +998(71)205-18-59

Киргизия +996(312)96-26-47

эл.почта: ahj@nt-rt.ru || сайт: <https://lanbao.nt-rt.ru/>