

# Лазерные дальномеры PDA

## Технические характеристики

По вопросам продаж и поддержки обращайтесь:

Алматы (727)345-47-04  
Ангарск (3955)60-70-56  
Архангельск (8182)63-90-72  
Астрахань (8512)99-46-04  
Барнаул (3852)73-04-60  
Белгород (4722)40-23-64  
Благовещенск (4162)22-76-07  
Брянск (4832)59-03-52  
Владивосток (423)249-28-31  
Владикавказ (8672)28-90-48  
Владимир (4922)49-43-18  
Волгоград (844)278-03-48  
Вологда (8172)26-41-59  
Воронеж (473)204-51-73  
Екатеринбург (343)384-55-89

Иваново (4932)77-34-06  
Ижевск (3412)26-03-58  
Иркутск (395)279-98-46  
Казань (843)206-01-48  
Калининград (4012)72-03-81  
Калуга (4842)92-23-67  
Кемерово (3842)65-04-62  
Киров (8332)68-02-04  
Коломна (4966)23-41-49  
Кострома (4942)77-07-48  
Краснодар (861)203-40-90  
Красноярск (391)204-63-61  
Курск (4712)77-13-04  
Курган (3522)50-90-47  
Липецк (4742)52-20-81

Магнитогорск (3519)55-03-13  
Москва (495)268-04-70  
Мурманск (8152)59-64-93  
Набережные Челны (8552)20-53-41  
Нижний Новгород (831)429-08-12  
Новокузнецк (3843)20-46-81  
Ноябрьск (3496)41-32-12  
Новосибирск (383)227-86-73  
Омск (3812)21-46-40  
Орел (4862)44-53-42  
Оренбург (3532)37-68-04  
Пенза (8412)22-31-16  
Петрозаводск (8142)55-98-37  
Псков (8112)59-10-37  
Пермь (342)205-81-47

Ростов-на-Дону (863)308-18-15  
Рязань (4912)46-61-64  
Самара (846)206-03-16  
Санкт-Петербург (812)309-46-40  
Саратов (845)249-38-78  
Севастополь (8692)22-31-93  
Саранск (8342)22-96-24  
Симферополь (3652)67-13-56  
Смоленск (4812)29-41-54  
Сочи (862)225-72-31  
Ставрополь (8652)20-65-13  
Сургут (3462)77-98-35  
Сыктывкар (8212)25-95-17  
Тамбов (4752)50-40-97  
Тверь (4822)63-31-35

Тольятти (8482)63-91-07  
Томск (3822)98-41-53  
Тула (4872)33-79-87  
Тюмень (3452)66-21-18  
Ульяновск (8422)24-23-59  
Улан-Удэ (3012)59-97-51  
Уфа (347)229-48-12  
Хабаровск (4212)92-98-04  
Чебоксары (8352)28-53-07  
Челябинск (351)202-03-61  
Череповец (8202)49-02-64  
Чита (3022)38-34-83  
Якутск (4112)23-90-97  
Ярославль (4852)69-52-93

Россия +7(495)268-04-70

Казахстан +(727)345-47-04

Беларусь +(375)257-127-884

Узбекистан +998(71)205-18-59

Киргизия +996(312)96-26-47

эл.почта: [ahj@nt-rt.ru](mailto:ahj@nt-rt.ru) || сайт: <https://lanbao.nt-rt.ru/>

# High-precision digital display laser distance measuring sensor PDA series



## Feature description

- Exquisite appearance and light aluminum housing, easy to mount and dismount
- Convenient operation panel with visualized OLED display to complete all function settings fastly
- Small diameter light spot to accurately measure very tiny objects
- Key or remote teach-in to easily set response time for different applications
- Powerful function setting and flexible output way
- Complete shielded design, stronger anti-interference performance
- IP67 protection degree, able to work in water or dusty environment



## Model specification

RS-485	PDA-CC50DGRM	4...20mA	PDA-CC50TGIM
--------	--------------	----------	--------------

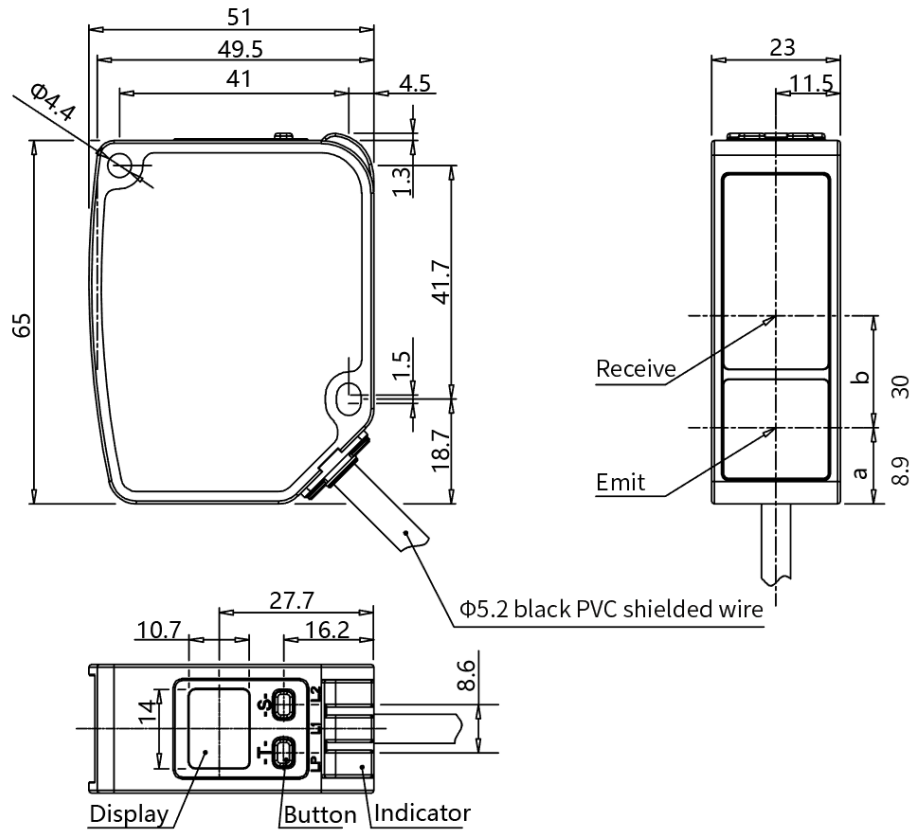
## Specifications

Measuring range	80...500mm	Temperature drift	±0.02%F.S./°C
Supply voltage	RS-485:10...30VDC; 4...20mA:12...24VDC	Indicator	Power indicator:Green LED;Action indicator:Yellow LED
Consumption power	≤700mW		Alarm indicator:Yellow LED
Load current	200mA	Protection circuit④	Short circuit,reverse polarity,overload protection
Voltage drop	<2.5V	Built-in function⑤	Slave address & Port rate setting;Average setting;Product self-check
Light source	Red laser(650nm);Laser level:Class 2		Analog map settings;Output setting;Restore factory settings
Light spot	Φ2.5mm@500mm		Single point teach;Window teach;Parameter query
Resolution	15um@80mm;500um@500mm	Service environment	Operation temperature:-10...+50°C
Linear accuracy①②	±0.15%F.S.(80...250mm);±0.3%F.S.(250...500mm)		Storage temperature:-20...+70°C
Repeat accuracy①②③	30um@80mm;250um@250mm;1000um@500mm		Ambient temperature:35...85%RH(No condensation)
Output1	RS-485(Support Modbus protocol)	Anti ambient light	Incandescent light: < 3,000lux
	4...20mA(Load resistance < 390Ω)	Protection degree	IP67
Output2	PUSH-PULL/NPN/PNP And NO/NC Settable	Material	Housing:Aluminum;Lens cover:PMMA;Display panel:PC
Distance setting	RS-485:Keypress/RS-485 setting	Vibration resistance	10...55Hz Double amplitude1mm, 2H each in X,Y,Z directions
	4...20mA:Keypress setting	Impulse resistance	500m/s <sup>2</sup> (About 50G) 3 times each in X,Y, Z directions
Response time	2ms/16ms/40ms Settable	Connection way	RS-485:2m 5pins PVC cable;4...20mA:2m 4pins PVC cable
Dimension	65*51*23mm	Accessory	Screw(M4×35mm)×2、Nut×2、Washer×2、Mounting bracket、Operation manual
Display	OLED Display(size:14*10.7mm)		

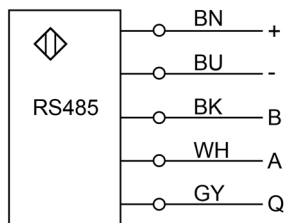
### Remark:

- ①Test conditions:Standard data at 23 ± 5 °C ;Supply voltage 24VDC;30 minutes' warmup before test;Sampling period 2ms;Average sampling times 100;Standard sensing object 90% white card
- ②The statistical data follows the 3σ criteria
- ③Repeat accuracy:23 ± 5 °C environment,90% reflectivity white card,100 test data results
- ④Slave address,baud rate setting only for RS-485 series
- ⑤Protecion circuit only for switch output.
- ⑥Product operation steps and precautions in "Operation manual"

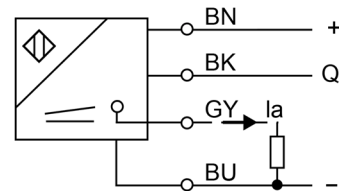
**Dimension**



**Wiring diagram**



Serial communication RS-485



Analog output 4...20mA

Remark:  
The sensors are equipped with shielded cables, Q is the switch output.

## Digital display laser distance measuring sensor PDA series



### Feature description

- Exquisite appearance and light aluminum housing, easy to mount and dismount
- Convenient operation panel with visualized OLED display to complete all function settings fastly
- Small diameter light spot to accurately measure very tiny objects
- Key or remote teach-in to easily set response time for different applications
- Powerful function setting and flexible output way
- Complete shielded design, stronger anti-interference performance
- IP67 protection degree, able to work in water or dusty environment



### Model specification

RS-485	PDA-CC50DGR	4...20mA	PDA-CC50TGI
--------	-------------	----------	-------------

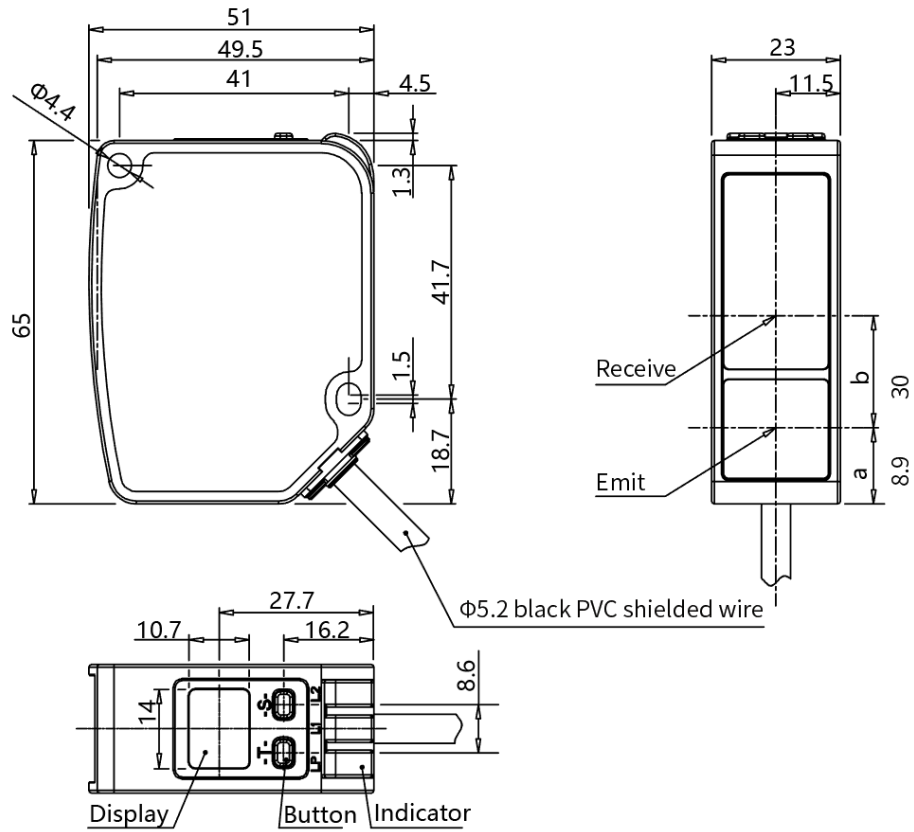
### Specifications

Measuring range	80...500mm	Temperature drift	±0.02%F.S./°C
Supply voltage	RS-485:10...30VDC; 4...20mA:12...24VDC	Indicator	Power indicator:Green LED;Action indicator:Yellow LED
Consumption power	≤700mW		Alarm indicator:Yellow LED
Load current	200mA	Protection circuit④	Short circuit,reverse polarity,overload protection
Voltage drop	<2.5V	Built-in function⑤	Slave address & Port rate setting;Average setting;Product self-check
Light source	Red laser(650nm);Laser level:Class 2		Analog map settings;Output setting;Restore factory settings
Light spot	Φ2.5mm@500mm		Single point teach;Window teach;Parameter query
Resolution	15um@80mm;500um@500mm	Service environment	Operation temperature:-10...+50°C
Linear accuracy①②	RS-485:±0.3%F.S.;4...20mA:±0.4%F.S.		Storage temperature:-20...+70°C
Repeat accuracy①②③	30um@80mm;250um@250mm;1000um@500mm		Ambient temperature:35...85%RH(No condensation)
Output1	RS-485(Support Modbus protocol)	Anti ambient light	Incandescent light: < 3,000lux
	4...20mA(Load resistance < 390Ω)	Protection degree	IP67
Output2	PUSH-PULL/NPN/PNP And NO/NC Settable	Material	Housing:Aluminum;Lens cover:PMMA;Display panel:PC
Distance setting	RS-485:Keypress/RS-485 setting	Vibration resistance	10...55Hz Double amplitude 1mm, 2H each in X,Y,Z directions
	4...20mA:Keypress setting	Impulse resistance	500m/s²(About 50G) 3 times each in X,Y, Z directions
Response time	2ms/16ms/40ms Settable	Connection way	RS-485:2m 5pins PVC cable;4...20mA:2m 4pins PVC cable
Dimension	65*51*23mm	Accessory	Screw(M4×35mm)×2、Nut×2、Washer×2、Mounting bracket、Operation manual
Display	OLED Display(size:14*10.7mm)		

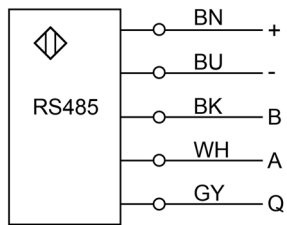
#### Remark:

- ①Test conditions:Standard data at 23 ± 5 °C ;Supply voltage 24VDC;30 minutes' warmup before test;Sampling period 2ms;Average sampling times 100;Standard sensing object 90% white card
- ②The statistical data follows the 3σ criteria
- ③Repeat accuracy:23 ± 5 °C environment,90% reflectivity white card,100 test data results
- ④Slave address,baud rate setting only for RS-485 series
- ⑤Protecion circuit only for switch output.
- ⑥Product operation steps and precautions in "Operation manual"

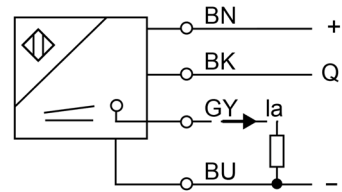
Dimension



Wiring diagram



Serial communication RS-485



Analog output 4...20mA

Remark:  
The sensors are equipped with shielded cables, Q is the switch output.

## Digital display laser distance measuring sensor PDA series



### Feature description

- Exquisite appearance and light aluminum housing, easy to mount and dismount
- Convenient operation panel with visualized OLED display to complete all function settings fastly
- Small diameter light spot to accurately measure very tiny objects
- Key or remote teach-in to easily set response time for different applications
- Powerful function setting and flexible output way
- Complete shielded design, stronger anti-interference performance
- IP67 protection degree, able to work in water or dusty environment



### Model specification

RS-485	PDA-CC100DGR	4...20mA	PDA-CC100TGI
--------	--------------	----------	--------------

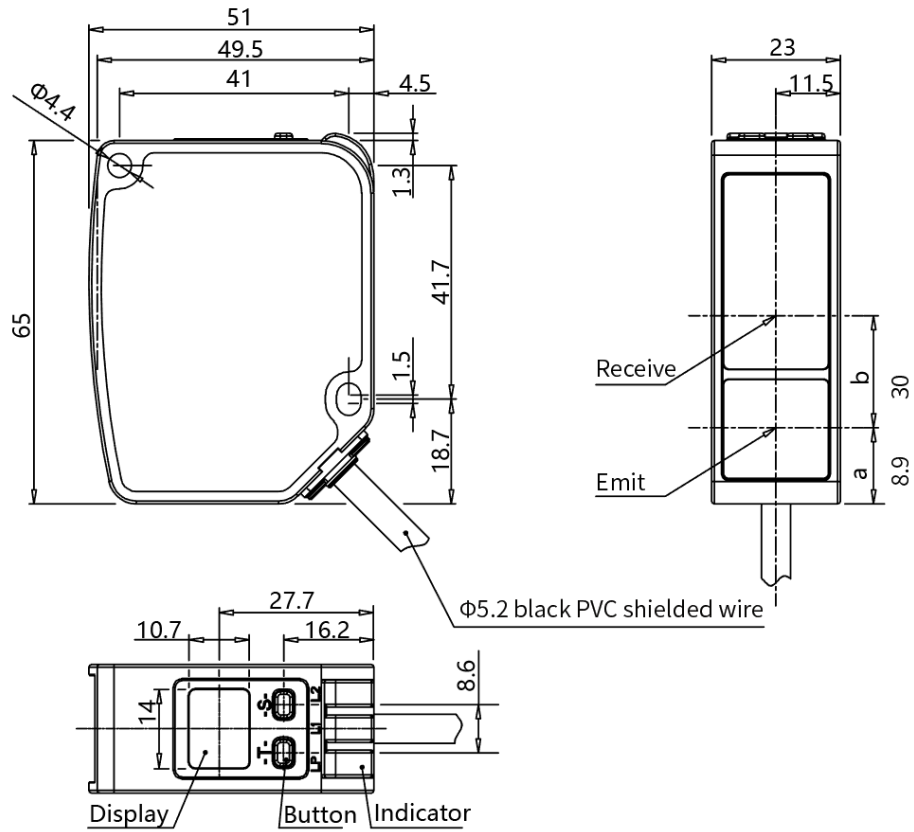
### Specifications

Measuring range	150...1000mm	Temperature drift	±0.02%F.S./°C
Supply voltage	RS-485:10...30VDC;4...20mA:12...24VDC	Indicator	Power indicator:Green LED;Action indicator:Yellow LED
Consumption power	≤700mW		Alarm indicator:Yellow LED
Load current	200mA	Protection circuit④	Short circuit,reverse polarity,overload protection
Voltage drop	<2.5V	Built-in function⑤	Slave address & Port rate setting;Average setting;Product self-check
Light source	Red laser(650nm);Laser level:Class 2		Analog map settings;Output setting;Restore factory settings
Light spot	Φ3mm@1000mm		Single point teach;Window teach;Parameter query
Resolution	50um@150mm;2000um@1000mm	Service environment	Operation temperature:-10...+50°C
Linear accuracy①②	±0.6%F.S.		Storage temperature:-20...+70°C
Repeat accuracy①②③	100um@150mm;520um@500mm;4000um@1000mm		Ambient temperature:35...85%RH(No condensation)
Output1	RS-485(Support Modbus protocol)	Anti ambient light	Incandescent light: < 3,000lux
	4...20mA(Load resistance < 390Ω)	Protection degree	IP67
Output2	PUSH-PULL/NPN/PNP And NO/NC Settable	Material	Housing:Aluminum;Lens cover:PMMA;Display panel: PC
Distance setting	RS-485:Keypress/RS-485 setting	Vibration resistance	10...55Hz Double amplitude1mm,2H each in X,Y,Z directions
	4...20mA:Keypress setting	Impulse resistance	500m/s²(About 50G)3 times each in X,Y,Z directions
Response time	2ms/16ms/40ms Settable	Connection way	RS-485:2m 5pins PVC cable;4...20mA:2m 4pins PVC cable
Dimension	65*51*23mm	Accessory	Screw(M4×35mm)×2、Nut×2、Washer×2、Mounting bracket、Operation manual
Display	OLED Display(size:14*10.7mm)		

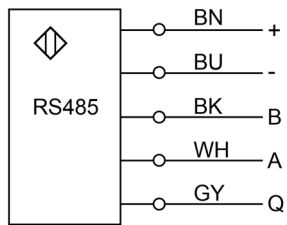
#### Remark:

- ①Test conditions:Standard data at 23 ± 5 °C ;Supply voltage 24VDC;30 minutes' warmup before test;Sampling period 2ms;Average sampling times 100;Standard sensing object 90% white card
- ②The statistical data follows the 3σ criteria
- ③Repeat accuracy:23 ± 5 °C environment,90% reflectivity white card,100 test data results
- ④Slave address,baud rate setting only for RS-485 series
- ⑤Protection circuit only for switch output
- ⑥Product operation steps and precautions in "Operation manual"

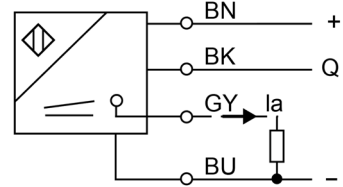
Dimension



Wiring diagram



Serial communication RS-485



Analog output 4...20mA

Remark:  
The sensors are equipped with shielded cables, Q is the switch output.

# High-precision digital display laser distance measuring sensor PDA series



## Feature description

- Exquisite appearance and light aluminum housing, easy to mount and dismount
- Convenient operation panel with visualized OLED display to complete all function settings fastly
- Small diameter light spot to accurately measure very tiny objects
- Key or remote teach-in to easily set response time for different applications
- Powerful function setting and flexible output way
- Complete shielded design, stronger anti-interference performance
- IP67 protection degree, able to work in water or dusty environment



## Model specification

RS-485	PDA-CC100DGRM	4...20mA	PDA-CC100TGIM
--------	---------------	----------	---------------

## Specifications

Measuring range	150...1000mm	Temperature drift	±0.02%F.S./°C
Supply voltage	RS-485:10...30VDC;4...20mA:12...24VDC	Indicator	Power indicator:Green LED;Action indicator:Yellow LED
Consumption power	≤700mW		Alarm indicator:Yellow LED
Load current	200mA	Protection circuit④	Short circuit,reverse polarity,overload protection
Voltage drop	<2.5V	Built-in function⑤	Slave address & Port rate setting;Average setting;Product self-check
Light source	Red laser(650nm);Laser level:Class 2		Analog map settings;Output setting;Restore factory settings
Light spot	Φ3mm@1000mm		Single point teach;Window teach;Parameter query
Resolution	50um@150mm;2000um@1000mm	Service environment	Operation temperature:-10...+50°C
Linear accuracy①②	±0.3%F.S.(150...450mm);±0.6%F.S.(450...1000mm)		Storage temperature:-20...+70°C
Repeat accuracy①②③	100um@150mm;520um@500mm;4000um@1000mm		Ambient temperature:35...85%RH(No condensation)
Output1	RS-485(Support Modbus protocol)	Anti ambient light	Incandescent light: < 3,000lux
	4...20mA(Load resistance < 390Ω)	Protection degree	IP67
Output2	PUSH-PULL/NPN/PNP And NO/NC Settable	Material	Housing:Aluminum;Lens cover:PMMA;Display panel: PC
Distance setting	RS-485:Keypress/RS-485 setting	Vibration resistance	10...55Hz Double amplitude1mm,2H each in X,Y,Z directions
	4...20mA:Keypress setting	Impulse resistance	500m/s²(About 50G)3 times each in X,Y,Z directions
Response time	2ms/16ms/40ms Settable	Connection way	RS-485:2m 5pins PVC cable;4...20mA:2m 4pins PVC cable
Dimension	65*51*23mm	Accessory	Screw(M4×35mm)×2、Nut×2、Washer×2、Mounting bracket、Operation manual
Display	OLED Display(size:14*10.7mm)		

### Remark:

①Test conditions:Standard data at 23 ± 5 °C ;Supply voltage 24VDC;30 minutes' warmup before test;Sampling period 2ms;Average sampling times 100;Standard sensing object 90% white card

②The statistical data follows the 3σ criteria

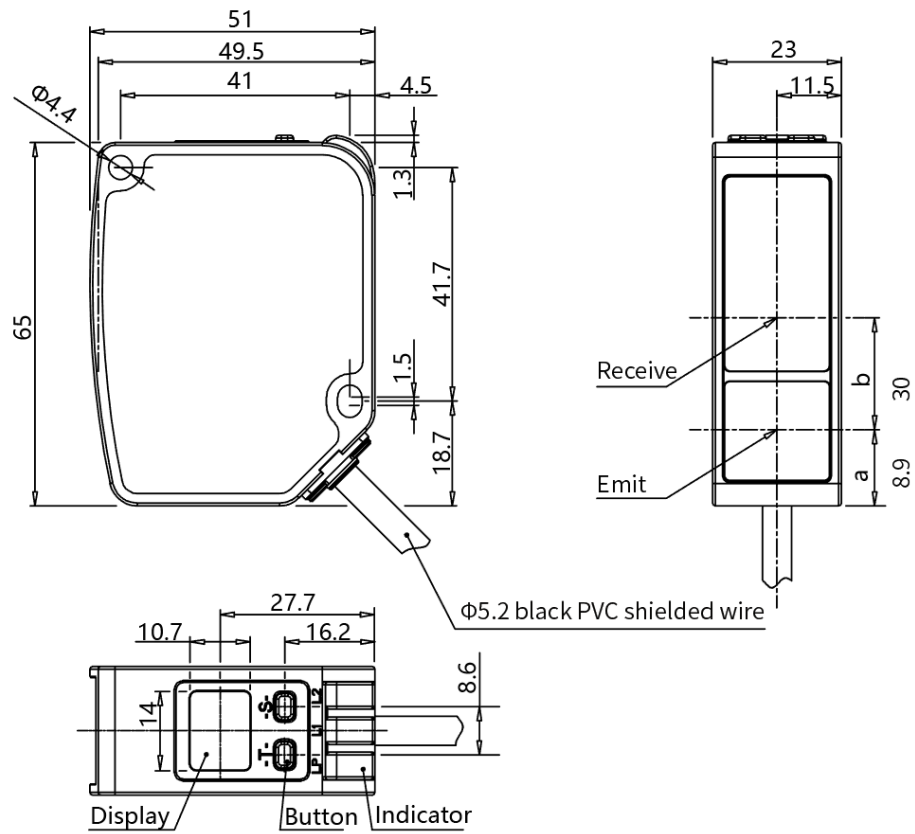
③Repeat accuracy:23 ± 5 °C environment,90% reflectivity white card,100 test data results

④Slave address,baud rate setting only for RS-485 series

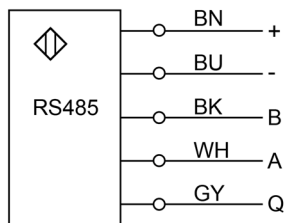
⑤Protection circuit only for switch output

⑥Product operation steps and precautions in "Operation manual"

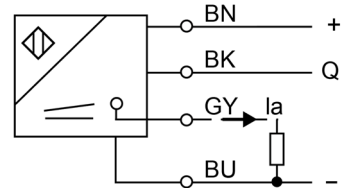
Dimension



Wiring diagram



Serial communication RS-485



Analog output 4...20mA

Remark:  
The sensors are equipped with shielded cables, Q is the switch output.

## Digital display laser distance measuring sensor PDA series



### Feature description

- Exquisite appearance and light aluminum housing, easy to mount and dismount
- Convenient operation panel with visualized OLED display to complete all function settings fastly
- Small diameter light spot to accurately measure very tiny objects
- Key or remote teach-in to easily set response time for different applications
- Powerful function setting and flexible output way
- Complete shielded design, stronger anti-interference performance
- IP67 protection degree, able to work in water or dusty environment



### Model specification

RS-485	PDA-CC10DGR	4...20mA	PDA-CC10TGI
--------	-------------	----------	-------------

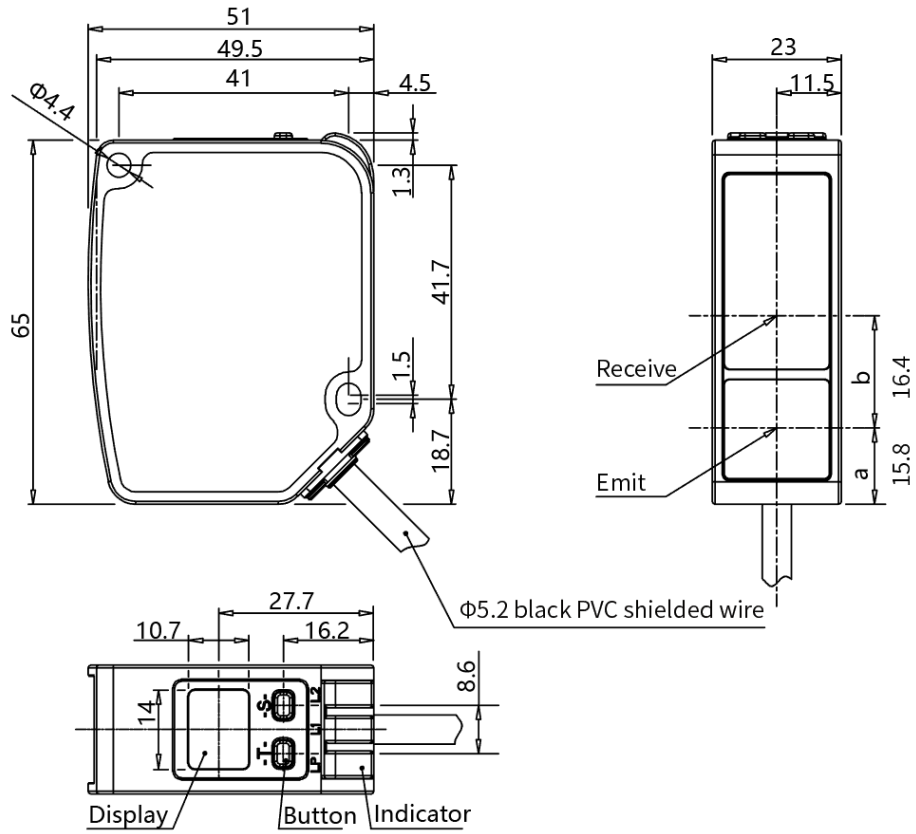
### Specifications

Measuring range	30...100mm	Temperature drift	±0.02%F.S./°C
Supply voltage	RS-485:10...30VDC;4...20mA:12...24VDC	Indicator	Power indicator:Green LED;Action indicator:Yellow LED
Consumption power	≤700mW		Alarm indicator:Yellow LED
Load current	200mA	Protection circuit④	Short circuit,reverse polarity,overload protection
Voltage drop	<2.5V	Built-in function⑤	Slave address & Port rate setting ;Average setting;Product self-check
Light source	Red laser(650nm);Laser level:Class 2		Analog map settings;Output setting;Restore factory settings
Light spot	1mm*3mm@100mm		Single point teach;Window teach;Parameter query
Resolution	5um@30mm;50um@100mm	Service environment	Operation temperature:-10...+50°C
Linear accuracy①②	RS-485:±0.3%F.S.;4...20mA:±0.4%F.S.		Storage temperature:-20...+70°C
Repeat accuracy①②③	10um@30mm;30um@50mm;100um@100mm		Ambient temperature:35...85%RH(No condensation)
Output1	RS-485(Support Modbus protocol)	Anti ambient light	Incandescent light: < 3,000lux
	4...20mA(Load resistance < 390Ω)	Protection degree	IP67
Output2	PUSH-PULL/NPN/PNP And NO/NC Settable	Material	Housing:Aluminum;Lens cover:PMMA;Display panel: PC
Distance setting	RS-485:Keypress/RS-485 setting	Vibration resistance	10...55Hz Double amplitude1mm,2H each in X,Y,Z directions
	4...20mA:Keypress setting	Impulse resistance	500m/s²(About 50G)3 times each in X,Y,Z directions
Response time	2ms/16ms/40ms Settable	Connection way	RS-485:2m 5pins PVC cable;4...20mA:2m 4pins PVC cable
Dimension	65*51*23mm	Accessory	Screw(M4×35mm)×2、Nut×2、Washer×2、Mounting bracket、Operation manual
Display	OLED Display(size:14*10.7mm)		

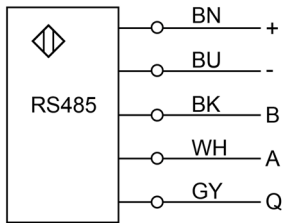
#### Remark:

- ①Test conditions:Standard data at 23 ± 5 °C ;Supply voltage 24VDC;30 minutes' warmup before test;Sampling period 2ms;Average sampling times 100;Standard sensing object 90% white card
- ②The statistical data follows the 3σ criteria
- ③Repeat accuracy:23 ± 5 °C environment,90% reflectivity white card,100 test data results
- ④Slave address,baud rate setting only for RS-485 series
- ⑤Protecion circuit only for switch output
- ⑥Product operation steps and precautions in "Operation manual"

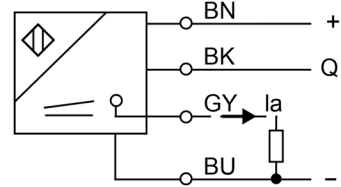
**Dimension**



**Wiring diagram**



Serial communication RS-485



Analog output 4...20mA

Remark:  
The sensors are equipped with shielded cables, Q is the switch output.

# High-precision digital display laser distance measuring sensor PDA series



## Feature description

- Exquisite appearance and light aluminum housing, easy to mount and dismount
- Convenient operation panel with visualized OLED display to complete all function settings fastly
- Small diameter light spot to accurately measure very tiny objects
- Key or remote teach-in to easily set response time for different applications
- Powerful function setting and flexible output way
- Complete shielded design, stronger anti-interference performance
- IP67 protection degree, able to work in water or dusty environment



## Model specification

RS-485	PDA-CC10DGMR	4...20mA	PDA-CC10TGIM
--------	--------------	----------	--------------

## Specifications

Measuring range	30...100mm	Temperature drift	±0.02%F.S./°C
Supply voltage	RS-485:10...30VDC;4...20mA:12...24VDC	Indicator	Power indicator:Green LED;Action indicator:Yellow LED
Consumption power	≤700mW		Alarm indicator:Yellow LED
Load current	200mA	Protection circuit④	Short circuit,reverse polarity,overload protection
Voltage drop	<2.5V	Built-in function⑤	Slave address & Port rate setting ;Average setting;Product self-check
Light source	Red laser(650nm);Laser level:Class 2		Analog map settings;Output setting;Restore factory settings
Light spot	1mm*3mm@100mm		Single point teach;Window teach;Parameter query
Resolution	5um@30mm;50um@100mm	Service environment	Operation temperature:-10...+50°C
Linear accuracy①②	±0.1%F.S.		Storage temperature:-20...+70°C
Repeat accuracy①②③	10um@30mm;30um@50mm;100um@100mm		Ambient temperature:35...85%RH(No condensation)
Output1	RS-485(Support Modbus protocol)	Anti ambient light	Incandescent light: < 3,000lux
	4...20mA(Load resistance < 390Ω)	Protection degree	IP67
Output2	PUSH-PULL/NPN/PNP And NO/NC Settable	Material	Housing:Aluminum;Lens cover:PMMA;Display panel: PC
Distance setting	RS-485:Keypress/RS-485 setting	Vibration resistance	10...55Hz Double amplitude1mm,2H each in X,Y,Z directions
	4...20mA:Keypress setting	Impulse resistance	500m/s²(About 50G)3 times each in X,Y,Z directions
Response time	2ms/16ms/40ms Settable	Connection way	RS-485:2m 5pins PVC cable;4...20mA:2m 4pins PVC cable
Dimension	65*51*23mm	Accessory	Screw(M4×35mm)×2、Nut×2、Washer×2、Mounting bracket、Operation manual
Display	OLED Display(size:14*10.7mm)		

### Remark:

①Test conditions:Standard data at 23 ± 5 °C ;Supply voltage 24VDC;30 minutes' warmup before test;Sampling period 2ms;Average sampling times 100;Standard sensing object 90% white card

②The statistical data follows the 3σ criteria

③Repeat accuracy:23 ± 5 °C environment,90% reflectivity white card,100 test data results

④Slave address,baud rate setting only for RS-485 series

⑤Protection circuit only for switch output

⑥Product operation steps and precautions in "Operation manual"



## По вопросам продаж и поддержки обращайтесь:

Алматы (727)345-47-04  
Ангарск (3955)60-70-56  
Архангельск (8182)63-90-72  
Астрахань (8512)99-46-04  
Барнаул (3852)73-04-60  
Белгород (4722)40-23-64  
Благовещенск (4162)22-76-07  
Брянск (4832)59-03-52  
Владивосток (423)249-28-31  
Владикавказ (8672)28-90-48  
Владимир (4922)49-43-18  
Волгоград (844)278-03-48  
Вологда (8172)26-41-59  
Воронеж (473)204-51-73  
Екатеринбург (343)384-55-89

Иваново (4932)77-34-06  
Ижевск (3412)26-03-58  
Иркутск (395)279-98-46  
Казань (843)206-01-48  
Калининград (4012)72-03-81  
Калуга (4842)92-23-67  
Кемерово (3842)65-04-62  
Киров (8332)68-02-04  
Коломна (4966)23-41-49  
Кострома (4942)77-07-48  
Краснодар (861)203-40-90  
Красноярск (391)204-63-61  
Курск (4712)77-13-04  
Курган (3522)50-90-47  
Липецк (4742)52-20-81

Магнитогорск (3519)55-03-13  
Москва (495)268-04-70  
Мурманск (8152)59-64-93  
Набережные Челны (8552)20-53-41  
Новокузнецк (3843)20-46-81  
Ноябрьск (3496)41-32-12  
Новосибирск (383)227-86-73  
Омск (3812)21-46-40  
Орел (4862)44-53-42  
Оренбург (3532)37-68-04  
Пенза (8412)22-31-16  
Петрозаводск (8142)55-98-37  
Псков (8112)59-10-37  
Пермь (342)205-81-47

Ростов-на-Дону (863)308-18-15  
Рязань (4912)46-61-64  
Самара (846)206-03-16  
Санкт-Петербург (812)309-46-40  
Саратов (845)249-38-78  
Севастополь (8692)22-31-93  
Саранск (8342)22-96-24  
Симферополь (3652)67-13-56  
Смоленск (4812)29-41-54  
Сочи (862)225-72-31  
Ставрополь (8652)20-65-13  
Сургут (3462)77-98-35  
Сыктывкар (8212)25-95-17  
Тамбов (4752)50-40-97  
Тверь (4822)63-31-35

Тольятти (8482)63-91-07  
Томск (3822)98-41-53  
Тула (4872)33-79-87  
Тюмень (3452)66-21-18  
Ульяновск (8422)24-23-59  
Улан-Удэ (3012)59-97-51  
Уфа (347)229-48-12  
Хабаровск (4212)92-98-04  
Чебоксары (8352)28-53-07  
Челябинск (351)202-03-61  
Череповец (8202)49-02-64  
Чита (3022)38-34-83  
Якутск (4112)23-90-97  
Ярославль (4852)69-52-93

**Россия** +7(495)268-04-70

**Казахстан** +(727)345-47-04

**Беларусь** +(375)257-127-884

**Узбекистан** +998(71)205-18-59

**Киргизия** +996(312)96-26-47

эл.почта: [ahj@nt-rt.ru](mailto:ahj@nt-rt.ru) || сайт: <https://lanbao.nt-rt.ru/>