

Фотоэлектрические датчики PSE-TOF/RS485

Технические характеристики

По вопросам продаж и поддержки обращайтесь:

Алматы (727)345-47-04
Ангарск (3955)60-70-56
Архангельск (8182)63-90-72
Астрахань (8512)99-46-04
Барнаул (3852)73-04-60
Белгород (4722)40-23-64
Благовещенск (4162)22-76-07
Брянск (4832)59-03-52
Владивосток (423)249-28-31
Владикавказ (8672)28-90-48
Владимир (4922)49-43-18
Волгоград (844)278-03-48
Вологда (8172)26-41-59
Воронеж (473)204-51-73
Екатеринбург (343)384-55-89

Иваново (4932)77-34-06
Ижевск (3412)26-03-58
Иркутск (395)279-98-46
Казань (843)206-01-48
Калининград (4012)72-03-81
Калуга (4842)92-23-67
Кемерово (3842)65-04-62
Киров (8332)68-02-04
Коломна (4966)23-41-49
Кострома (4942)77-07-48
Краснодар (861)203-40-90
Красноярск (391)204-63-61
Курск (4712)77-13-04
Курган (3522)50-90-47
Липецк (4742)52-20-81

Магнитогорск (3519)55-03-13
Москва (495)268-04-70
Мурманск (8152)59-64-93
Набережные Челны (8552)20-53-41
Нижний Новгород (831)429-08-12
Новокузнецк (3843)20-46-81
Ноябрьск (3496)41-32-12
Новосибирск (383)227-86-73
Омск (3812)21-46-40
Орел (4862)44-53-42
Оренбург (3532)37-68-04
Пенза (8412)22-31-16
Петрозаводск (8142)55-98-37
Псков (8112)59-10-37
Пермь (342)205-81-47

Ростов-на-Дону (863)308-18-15
Рязань (4912)46-61-64
Самара (846)206-03-16
Санкт-Петербург (812)309-46-40
Саратов (845)249-38-78
Севастополь (8692)22-31-93
Саранск (8342)22-96-24
Симферополь (3652)67-13-56
Смоленск (4812)29-41-54
Сочи (862)225-72-31
Ставрополь (8652)20-65-13
Сургут (3462)77-98-35
Сыктывкар (8212)25-95-17
Тамбов (4752)50-40-97
Тверь (4822)63-31-35

Тольятти (8482)63-91-07
Томск (3822)98-41-53
Тула (4872)33-79-87
Тюмень (3452)66-21-18
Ульяновск (8422)24-23-59
Улан-Удэ (3012)59-97-51
Уфа (347)229-48-12
Хабаровск (4212)92-98-04
Чебоксары (8352)28-53-07
Челябинск (351)202-03-61
Череповец (8202)49-02-64
Чита (3022)38-34-83
Якутск (4112)23-90-97
Ярославль (4852)69-52-93

Россия +7(495)268-04-70

Казахстан +(727)345-47-04

Беларусь +(375)257-127-884

Узбекистан +998(71)205-18-59

Киргизия +996(312)96-26-47

эл.почта: ahj@nt-rt.ru || сайт: <https://lanbao.nt-rt.ru/>

Plastic square shape photoelectric sensors PSE series



Feature description

- Universal housing, an ideal replacement for a wide range of sensor types;
- IP67, suitable for harsh environments;
- One-key distance setting, accurate and fast setting;
- Using TOF principle, the difference between black and white of the product is small, and the detection is stable.



Model specification

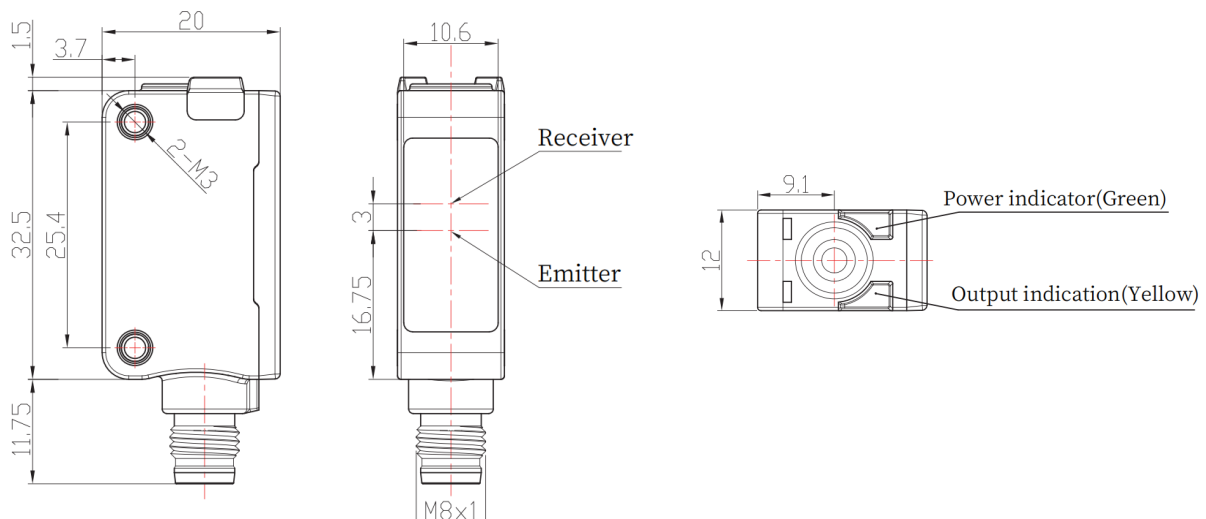
NPN NO/NC	PSE-CC60DNB-E3	PNP NO/NC	PSE-CC60DPB-E3
-----------	----------------	-----------	----------------

Specifications

Detection type	TOF	Dead zone	< 0.5cm
Detection range	0.5...60cm*	Color sensitivity	> 95%
Adjustment range	8...60cm	Response time	≤100ms
Output type	NPN NO/NC or PNP NO/NC	Indicator	Green light: power; Yellow light: output
Hysteresis	3...20%	Anti-ambient light	Sunshine5000Lx, Incandescent 300Lx, Fluorescent lamp 1000Lx ^①
Supply voltage	10...30 VDC	Operating temperature	-20°C...55 °C
Consumption current	≤20mA	Storage temperature	-25°C...70 °C
Load current	≤100mA	Protection degree	IP67
Voltage drop	≤1.5V	Material	Housing: PC+ABS; Filter: PMMA
Adjustment method	Button adjustment	Weight	50g
Light source	Infrared laser(940nm)	Connection	M8 4-pin connector
Light spot size	Φ130mm@60cm	Accessory	Mounting bracket ZJP-8
Circuit protection	Short circuit protection, overload protection, reverse polarity protection, Zener protection		
NO/NC adjustment	Press the button for 5...8s, when the yellow and green light flash synchronously at 2Hz, and lift. Finish state switch.		
Distance adjustment	Press the button for 2...5s, when the yellow and green light flash synchronously at 4Hz, and lift to finish the distance setting.		
	If the yellow and green lights flash asynchronously at 8Hz for 3s, and the setting fails.		

*0.5...60cm(Re flective 90% white card), ①: Sensors are not recommended for outdoor use.

Dimensions



Plastic square shape photoelectric sensors PSE series



Feature description

- Universal housing, an ideal replacement for a wide range of sensor types;
- IP67, suitable for harsh environments;
- One-key distance setting, accurate and fast setting;
- Using TOF principle, the difference between black and white of the product is small, and the detection is stable.



Model specification

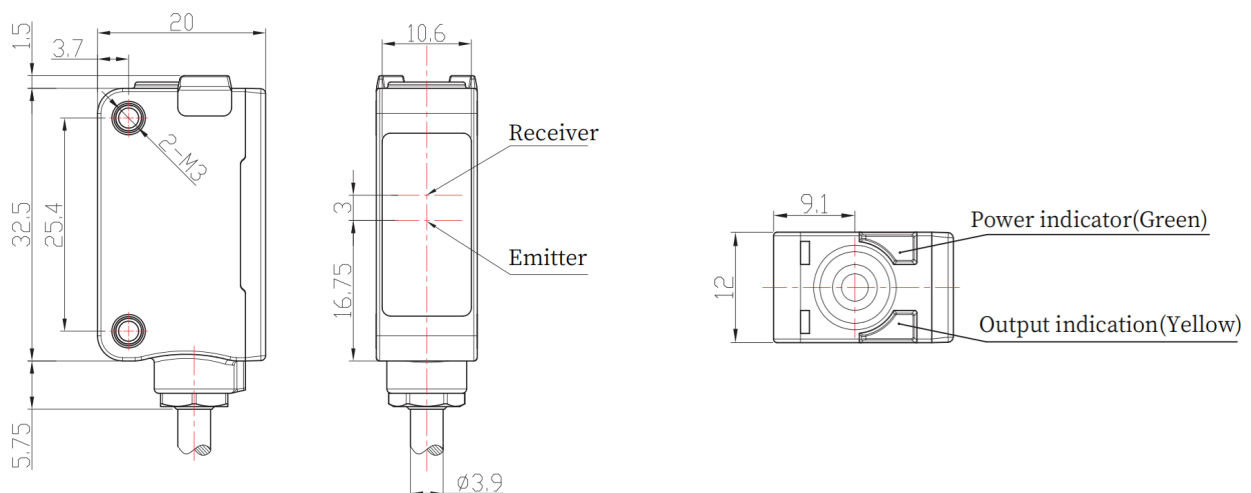
NPN NO/NC	PSE-CC60DNB	PNP NO/NC	PSE-CC60DPB
-----------	-------------	-----------	-------------

Specifications

Detection type	TOF	Dead zone	< 0.5cm
Detection range	0.5...60cm*	Color sensitivity	> 95%
Adjustment range	8...60cm	Response time	≤100ms
Output type	NPN NO/NC or PNP NO/NC	Indicator	Green light: power; Yellow light: output
Hysteresis	3...20%	Anti-ambient light	Sunshine ≤5000Lx, Incandescent≤300Lx, Fluorescent lamp≤1000Lx ^①
Supply voltage	10...30 VDC	Operating temperature	-20°C...55 °C
Consumption current	≤20mA	Storage temperature	-25°C...70 °C
Load current	≤100mA	Protection degree	IP67
Voltage drop	≤1.5V	Material	Housing: PC+ABS; Filter: PMMA
Adjustment method	Button adjustment	Weight	50g
Light source	Infrared laser(940nm)	Connection	2m PVC cable
Light spot size	Φ130mm@60cm	Accessory	Mounting bracket ZJP-8
Circuit protection	Short circuit protection, overload protection, reverse polarity protection, Zener protection		
NO/NC adjustment	Press the button for 5...8s, when the yellow and green light flash synchronously at 2Hz, and lift. Finish state switch.		
Distance adjustment	Press the button for 2...5s, when the yellow and green light flash synchronously at 4Hz, and lift to finish the distance setting. If the yellow and green lights flash asynchronously at 8Hz for 3s, and the setting fails.		

*0.5...60cm(Reflective 90% white card), ^①Sensors are not recommended for outdoor use.

Dimensions



Plastic square shape photoelectric sensors PSE series



Feature description

- Universal housing, an ideal replacement for a wide range of sensor types;
- IP67, suitable for harsh environments;
- One-key distance setting, accurate and fast setting;
- Using TOF principle, the difference between black and white of the product is small, and the detection is stable.



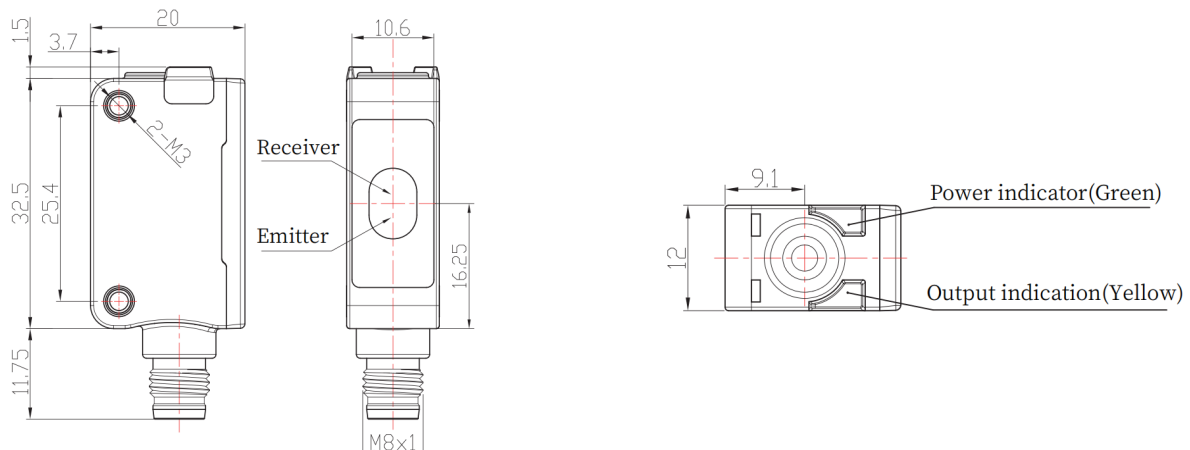
Model specification

NPN NO/NC	PSE-CM3DNB-E3	PNP NO/NC	PSE-CM3DPB-E3
-----------	---------------	-----------	---------------

Specifications

Detection type	TOF	Light spot size	90×120mm@300cm
Detection range	0.5...300cm	Response frequency	5Hz
Adjustment range	8...360cm	Indicator	Green light: power; Yellow light: output
Output type	NPN NO/NC or PNP NO/NC	Anti-ambient light	Sunshine≤10000Lx, Incandescent ≤1000Lx
Hysteresis	3...20%	Operating temperature	-20°C...55 °C
Supply voltage	10...30VDC	Storage temperature	-25°C...70 °C
Consumption current	≤20mA	Protection degree	IP67
Load current	≤100mA	Material	Housing: PC+ABS; Filter: PMMA
Voltage drop	≤1.5V	Weight	50g
Adjustment method	Button adjustment	Connection	M8 4-pin connector
Light source	Infrared laser(940nm)	Accessory	Mounting bracket ZJP-8
Circuit protection	Short circuit protection, overload protection, reverse polarity protection, Zener protection		
NO/NC adjustment	Press the button for 5...8s, when the yellow and green light flash synchronously at 2Hz, and lift. Finish state switch.		
Distance adjustment	Press the button for 2...5s, when the yellow and green light flash synchronously at 4Hz, and lift to finish the distance setting.		
	If the yellow and green lights flash asynchronously at 8Hz for 3s, and the setting fails.		

Dimensions



Plastic square shape photoelectric sensors PSE series



Feature description

- Universal housing, an ideal replacement for a wide range of sensor types;
- IP67, suitable for harsh environments;
- One-key distance setting, accurate and fast setting;
- Using TOF principle, the difference between black and white of the product is small, and the detection is stable.



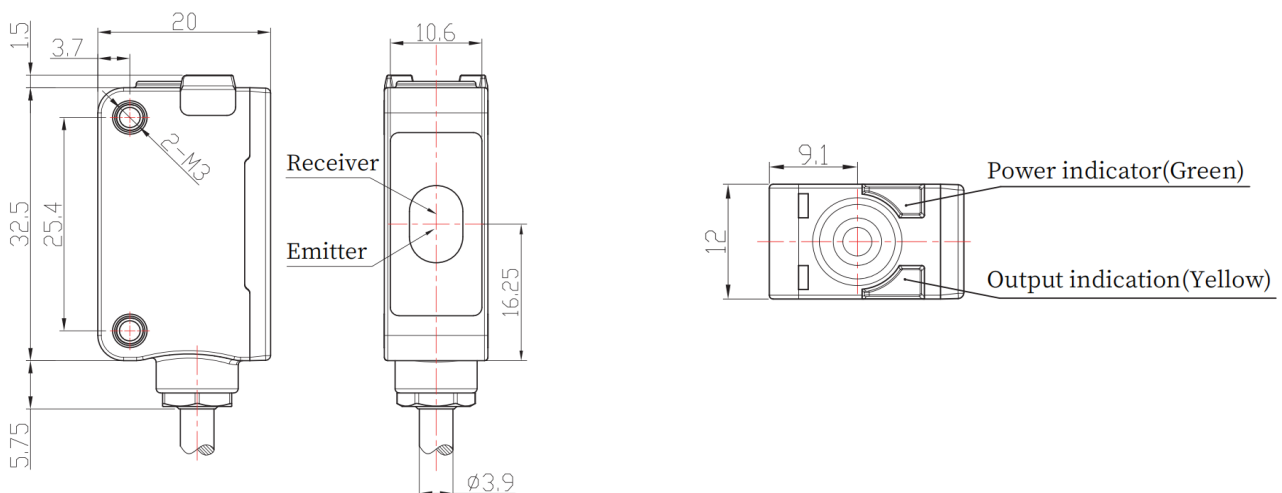
Model specification

NPN NO/NC	PSE-CM3DNB	PNP NO/NC	PSE-CM3DPB
-----------	------------	-----------	------------

Specifications

Detection type	TOF	Light spot size	90×120mm@300cm
Detection range	0.5...300cm	Response frequency	5Hz
Adjustment range	8...360cm	Indicator	Green light: power; Yellow light: output
Output type	NPN NO/NC or PNP NO/NC	Anti-ambient light	Sunshine ≤ 10000Lx, Incandescent ≤ 1000Lx
Hysteresis	3...20%	Operating temperature	-20°C...55 °C
Supply voltage	10...30VDC	Storage temperature	-25°C...70 °C
Consumption current	≤ 20mA	Protection degree	IP67
Load current	≤ 100mA	Material	Housing: PC+ABS; Filter: PMMA
Voltage drop	≤ 1.5V	Weight	50g
Adjustment method	Button adjustment	Connection	2m PVC cable
Light source	Infrared laser(940nm)	Accessory	Mounting bracket ZJP-8
Circuit protection	Short circuit protection, overload protection, reverse polarity protection, Zener protection		
NO/NC adjustment	Press the button for 5...8s, when the yellow and green light flash synchronously at 2Hz, and lift. Finish state switch.		
Distance adjustment	Press the button for 2...5s, when the yellow and green light flash synchronously at 4Hz, and lift to finish the distance setting.		
	If the yellow and green lights flash asynchronously at 8Hz for 3s, and the setting fails.		

Dimensions



Plastic square shape photoelectric sensors PSE series



Feature description

- Universal housing, an ideal replacement for a wide range of sensor types;
- IP67, suitable for harsh environments;
- One-key distance setting, accurate and fast setting;
- Using TOF principle, the difference between black and white of the product is small, and the detection is stable.



Model specification

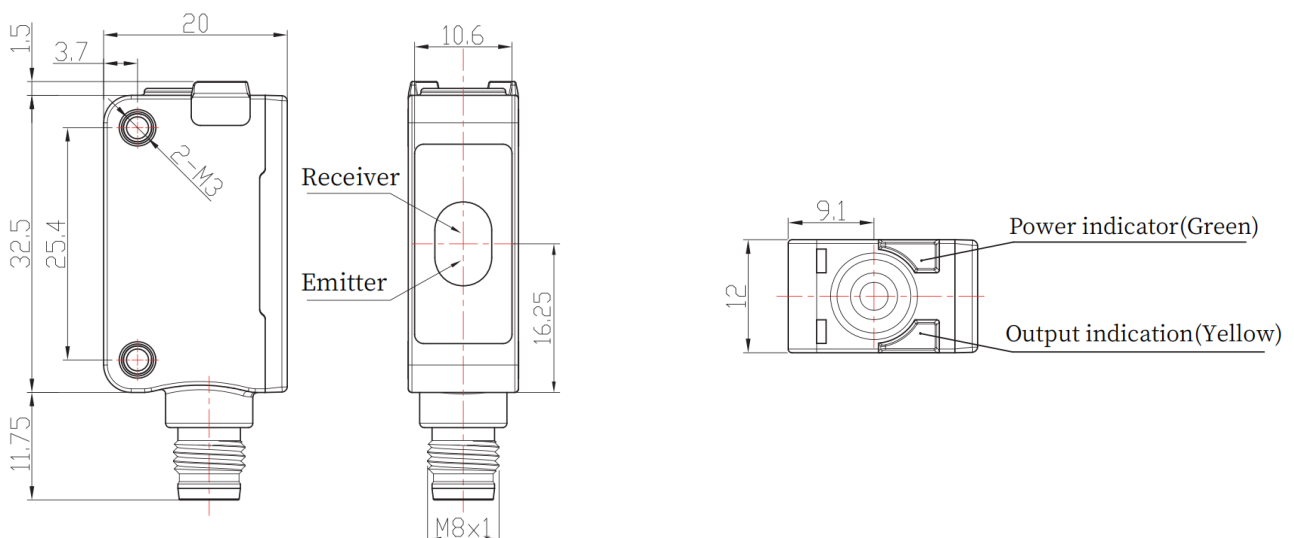
NPN NO/NC	PSE-CC100DNB-E3	PNP NO/NC	PSE-CC100DPB-E3
-----------	-----------------	-----------	-----------------

Specifications

Detection type	TOF	Response time	≤100ms
Detection range	0.5...100cm	Indicator	Green light: power; Yellow light: output
Adjustment range	8...100cm	Anti-ambient light	Sunshine≤10 000Lx, Incandescent ≤3 000Lx, Fluorescent lamp ≤1000Lx
Output type	NPN NO/NC or PNP NO/NC	Operating temperature	-20°C...55 °C
Hysteresis	3...20%	Storage temperature	-25°C...70 °C
Supply voltage	10...30VDC	Protection degree	IP67
Consumption current	≤20mA	Material	Housing: PC+ABS; Filter: PMMA
Load current	≤100mA	Weight	50g
Voltage drop	≤1.5V	Connection	M8 4-pin connector
Adjustment method	Button adjustment	Accessory	Mounting bracket ZJP-8
Light source	Infrared laser(940nm)		
Light spot size	Φ120mm@100cm		
Circuit protection	Short circuit protection, overload protection, reverse polarity protection,Zener protection		
NO/NC adjustment	Press the button for 5...8s, when the yellow and green light flash synchronously at 2Hz, and lift. Finish state switch.		
Distance adjustment	Press the button for 2...5s, when the yellow and green light flash synchronously at 4Hz, and lift to finish the distance setting.		
	If the yellow and green lights flash asynchronously at 8Hz for 3s, and the setting fails.		

:90% 30*30cm White card.

Dimensions



Plastic square shape photoelectric sensors PSE series



Feature description

- Universal housing, an ideal replacement for a wide range of sensor types;
- IP67, suitable for harsh environments;
- One-key distance setting, accurate and fast setting;
- Using TOF principle, the difference between black and white of the product is small, and the detection is stable.



Model specification

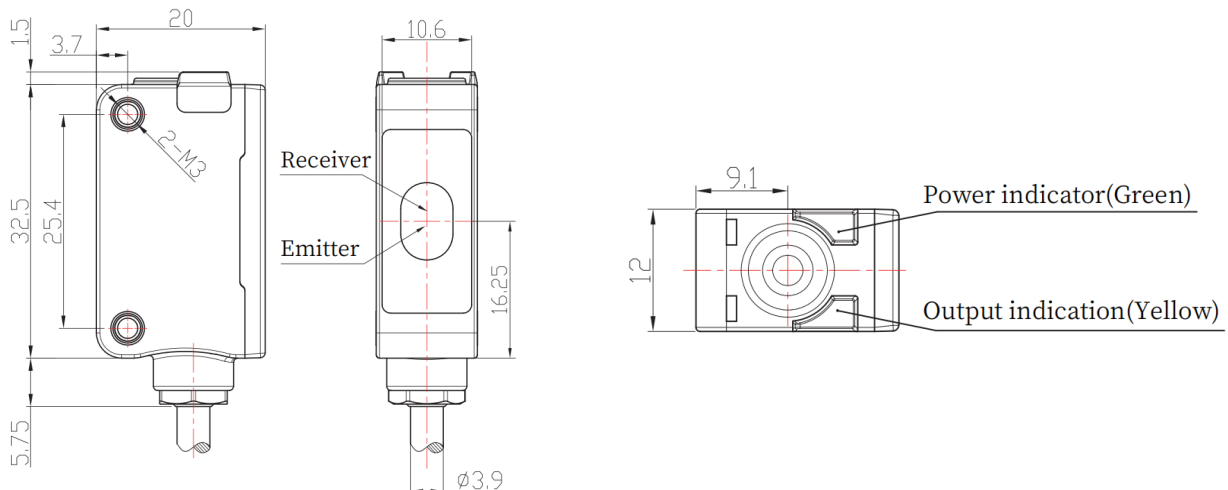
NPN NO/NC	PSE-CC100DNB	PNP NO/NC	PSE-CC100DPB
-----------	--------------	-----------	--------------

Specifications

Detection type	TOF	Response time	≤100ms
Detection range	0.5...100cm	Indicator	Green light: power; Yellow light: output
Adjustment range	8...100cm	Anti-ambient light	Sunshine≤10 000Lx, Incandescent ≤3 000Lx, Fluorescent lamp ≤1000Lx
Output type	NPN NO/NC or PNP NO/NC	Operating temperature	-20°C...55 °C
Hysteresis	3...20%	Storage temperature	-25°C...70 °C
Supply voltage	10...30VDC	Protection degree	IP67
Consumption current	≤20mA	Material	Housing: PC+ABS; Filter: PMMA
Load current	≤100mA	Weight	50g
Voltage drop	≤1.5V	Connection	2m PVC cable
Adjustment method	Button adjustment	Accessory	Mounting bracket ZJP-8
Light source	Infrared laser(940nm)		
Light spot size	Φ120mm@100cm		
Circuit protection	Short circuit protection, overload protection, reverse polarity protection,Zener protection		
NO/NC adjustment	Press the button for 5...8s, when the yellow and green light flash synchronously at 2Hz, and lift. Finish state switch.		
Distance adjustment	Press the button for 2...5s, when the yellow and green light flash synchronously at 4Hz, and lift to finish the distance setting. If the yellow and green lights flash asynchronously at 8Hz for 3s, and the setting fails.		

:90% 30*30cm White card.

Dimensions



Plastic square shape photoelectric sensors PSE series



Feature description

- Universal housing, an ideal replacement for a wide range of sensor types;
- IP67, suitable for harsh environments;
- Product 485 output interface;
- Using TOF principle, the difference between black and white of the product is small, and the detection is stable.



Model specification

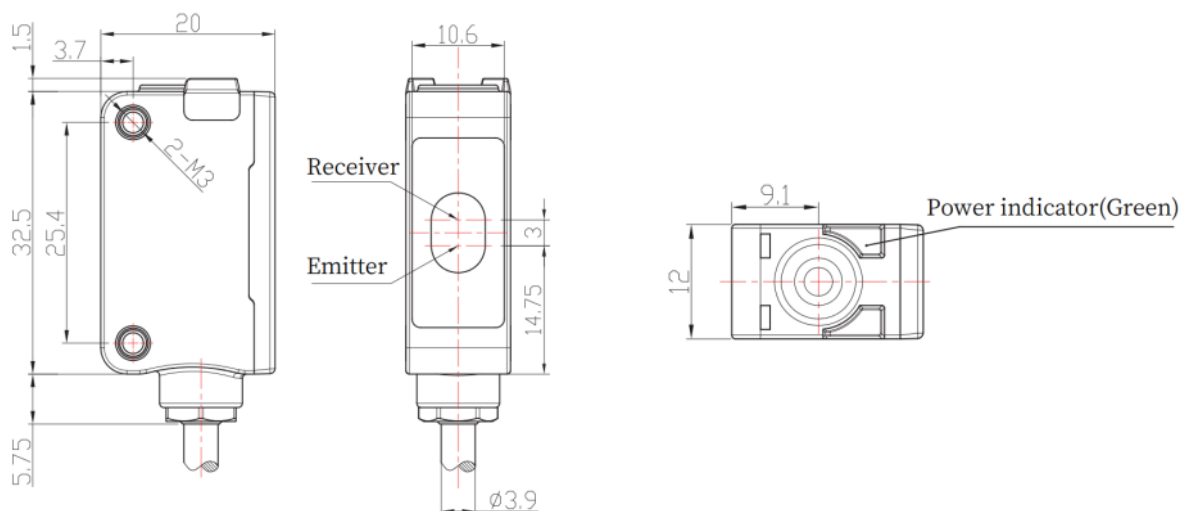
RS485	PSE-CM3DR
-------	-----------

Specifications

Detection type	TOF	Indicator	Green LED: power
Detection range	0.02...3m	Ambient temperature	-20...55°C
Repeat accuracy	Within ±1cm(2~30cm); ≤1%(30cm~300cm)	Temperature range	35%...85%(No condensation)
Detection accuracy	Within ±3cm(2~30cm); ≤2%(30cm~300cm)	withstand voltage	1000V/AC 50/60Hz 60s
Response time	35ms	Anti-ambient light	Sunshine≤10 000Lx, Incandescent ≤3 000Lx,
Divergence angle	±2°		Fluorescent lamp ≤1000Lx
Resolution	1mm	Protection degree	IP67
Color sensitivity	< 10%	Material	PC+ABS
Output type	RS485	Connection	0.5m PVC cable
Supply voltage	10...30VDC	Accessory	Mounting bracket ZJP-8
Consumption current	≤ 40 mA		

Note: Power-on initialization time <3ms

Dimensions



По вопросам продаж и поддержки обращайтесь:

Алматы (727)345-47-04
Ангарск (3955)60-70-56
Архангельск (8182)63-90-72
Астрахань (8512)99-46-04
Барнаул (3852)73-04-60
Белгород (4722)40-23-64
Благовещенск (4162)22-76-07
Брянск (4832)59-03-52
Владивосток (423)249-28-31
Владикавказ (8672)28-90-48
Владимир (4922)49-43-18
Волгоград (844)278-03-48
Вологда (8172)26-41-59
Воронеж (473)204-51-73
Екатеринбург (343)384-55-89

Иваново (4932)77-34-06
Ижевск (3412)26-03-58
Иркутск (395)279-98-46
Казань (843)206-01-48
Калининград (4012)72-03-81
Калуга (4842)92-23-67
Кемерово (3842)65-04-62
Киров (8332)68-02-04
Коломна (4966)23-41-49
Кострома (4942)77-07-48
Краснодар (861)203-40-90
Красноярск (391)204-63-61
Курск (4712)77-13-04
Курган (3522)50-90-47
Липецк (4742)52-20-81

Магнитогорск (3519)55-03-13
Москва (495)268-04-70
Мурманск (8152)59-64-93
Набережные Челны (8552)20-53-41
Новокузнецк (3843)20-46-81
Ноябрьск (3496)41-32-12
Новосибирск (383)227-86-73
Омск (3812)21-46-40
Орел (4862)44-53-42
Оренбург (3532)37-68-04
Пенза (8412)22-31-16
Петрозаводск (8142)55-98-37
Псков (8112)59-10-37
Пермь (342)205-81-47

Ростов-на-Дону (863)308-18-15
Рязань (4912)46-61-64
Самара (846)206-03-16
Санкт-Петербург (812)309-46-40
Саратов (845)249-38-78
Севастополь (8692)22-31-93
Саранск (8342)22-96-24
Симферополь (3652)67-13-56
Смоленск (4812)29-41-54
Сочи (862)225-72-31
Ставрополь (8652)20-65-13
Сургут (3462)77-98-35
Сыктывкар (8212)25-95-17
Тамбов (4752)50-40-97
Тверь (4822)63-31-35

Тольятти (8482)63-91-07
Томск (3822)98-41-53
Тула (4872)33-79-87
Тюмень (3452)66-21-18
Ульяновск (8422)24-23-59
Улан-Удэ (3012)59-97-51
Уфа (347)229-48-12
Хабаровск (4212)92-98-04
Чебоксары (8352)28-53-07
Челябинск (351)202-03-61
Череповец (8202)49-02-64
Чита (3022)38-34-83
Якутск (4112)23-90-97
Ярославль (4852)69-52-93

Россия +7(495)268-04-70

Казахстан +(727)345-47-04

Беларусь +(375)257-127-884

Узбекистан +998(71)205-18-59

Киргизия +996(312)96-26-47

эл.почта: ahj@nt-rt.ru || сайт: <https://lanbao.nt-rt.ru/>