

Фотоэлектрические датчики PSE-G

Технические характеристики

По вопросам продаж и поддержки обращайтесь:

Алматы (727)345-47-04
Ангарск (3955)60-70-56
Архангельск (8182)63-90-72
Астрахань (8512)99-46-04
Барнаул (3852)73-04-60
Белгород (4722)40-23-64
Благовещенск (4162)22-76-07
Брянск (4832)59-03-52
Владивосток (423)249-28-31
Владикавказ (8672)28-90-48
Владимир (4922)49-43-18
Волгоград (844)278-03-48
Вологда (8172)26-41-59
Воронеж (473)204-51-73
Екатеринбург (343)384-55-89

Иваново (4932)77-34-06
Ижевск (3412)26-03-58
Иркутск (395)279-98-46
Казань (843)206-01-48
Калининград (4012)72-03-81
Калуга (4842)92-23-67
Кемерово (3842)65-04-62
Киров (8332)68-02-04
Коломна (4966)23-41-49
Кострома (4942)77-07-48
Краснодар (861)203-40-90
Красноярск (391)204-63-61
Курск (4712)77-13-04
Курган (3522)50-90-47
Липецк (4742)52-20-81

Магнитогорск (3519)55-03-13
Москва (495)268-04-70
Мурманск (8152)59-64-93
Набережные Челны (8552)20-53-41
Нижний Новгород (831)429-08-12
Новокузнецк (3843)20-46-81
Ноябрьск (3496)41-32-12
Новосибирск (383)227-86-73
Омск (3812)21-46-40
Орел (4862)44-53-42
Оренбург (3532)37-68-04
Пенза (8412)22-31-16
Петрозаводск (8142)55-98-37
Псков (8112)59-10-37
Пермь (342)205-81-47

Ростов-на-Дону (863)308-18-15
Рязань (4912)46-61-64
Самара (846)206-03-16
Санкт-Петербург (812)309-46-40
Саратов (845)249-38-78
Севастополь (8692)22-31-93
Саранск (8342)22-96-24
Симферополь (3652)67-13-56
Смоленск (4812)29-41-54
Сочи (862)225-72-31
Ставрополь (8652)20-65-13
Сургут (3462)77-98-35
Сыктывкар (8212)25-95-17
Тамбов (4752)50-40-97
Тверь (4822)63-31-35

Тольятти (8482)63-91-07
Томск (3822)98-41-53
Тула (4872)33-79-87
Тюмень (3452)66-21-18
Ульяновск (8422)24-23-59
Улан-Удэ (3012)59-97-51
Уфа (347)229-48-12
Хабаровск (4212)92-98-04
Чебоксары (8352)28-53-07
Челябинск (351)202-03-61
Череповец (8202)49-02-64
Чита (3022)38-34-83
Якутск (4112)23-90-97
Ярославль (4852)69-52-93

Россия +7(495)268-04-70

Казахстан +(727)345-47-04

Беларусь +(375)257-127-884

Узбекистан +998(71)205-18-59

Киргизия +996(312)96-26-47

эл.почта: ahj@nt-rt.ru || сайт: <https://lanbao.nt-rt.ru/>

Plastic square photoelectric sensor PSE-GC series



Feature description

- Universal housing, an ideal substitute for sensors of various styles
- Comply with IP67, suitable for harsh environment
- Sensitivity one-key setting, accurate and fast setting
- Stable detection of various transparent bottles and various transparent films
- Normally open and normally closed switchable
- Coaxial optical principle, no blind zone



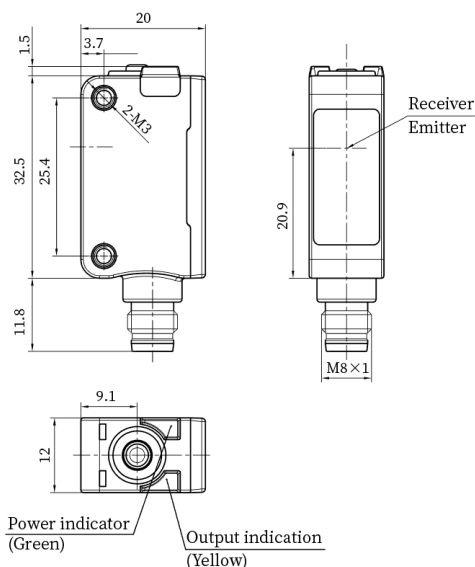
Model specification

NPN NO/NC	PSE-GC50DNBB-E3	PNP NO/NC	PSE-GC50DPBB-E3
-----------	-----------------	-----------	-----------------

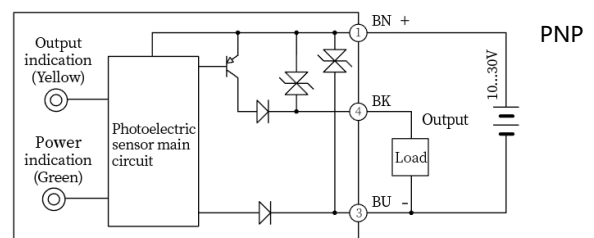
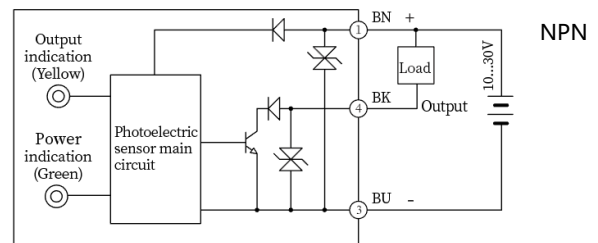
Specifications

Detection type	Polarized reflection (Coaxial Light)	Anti ambient light	Sunshine $\leq 10,000\text{Lux}$; Incandescent $\leq 3,000\text{Lux}$
Detection distance	50cm	Storage temperature	- 30...70 °C
Light spot size	$\leq 14\text{mm}@0.5\text{m}$	Operating temperature	- 25...55 °C (No condensation, no icing)
Supply voltage	10...30VDC (Ripple P-P: < 10%)	Vibration resistance	10...55Hz, Double amplitude 0.5mm (0.5H each for X, Y, Z direction)
Consumption current	< 25mA	Impulse withsand	500m/s ² , 3 times each for X, Y, Z direction
Load current	200mA	High pressure resistant	1000V/AC 50/60Hz 60s
Voltage drop	$\leq 1.5\text{V}$	Protection degree	IP67
Light source	Blue light(460nm)	Housing material	PC+ABS
Protection circuit	Short circuit protection, Polarity protection, Overload protection	Lens	PMMA
Indicator	Green: Power indicator	Weight	10g
	Yellow: Output indication, Overload indication	Connection type	M8 Connector
Response time	< 0.5ms	Accessories	Mounting Bracket: ZJP-8, Operation manual, TD-08 Reflector
NO/NC adjustment	Press the button for 5...8s, when the yellow and green light flash synchronously at 2Hz, finish the state switching.		
Distance adjustment	The product is facing the reflector, press the button for 2...5s, when the yellow and green light flash synchronously at 4Hz, and lift to finish the distance setting. If the yellow and green light flash asynchronously at 8Hz, setting fails and the product distance goes to the maximum.		

Dimension



Wiring diagram



Plastic square photoelectric sensor PSE-GM series



Feature description

- Universal housing, an ideal substitute for sensors of various styles
- Comply with IP67, suitable for harsh environment
- Sensitivity one-key setting, accurate and fast setting
- Stable detection of various transparent bottles and various transparent films
- Normally open and normally closed switchable
- Coaxial optical principle, no blind zone



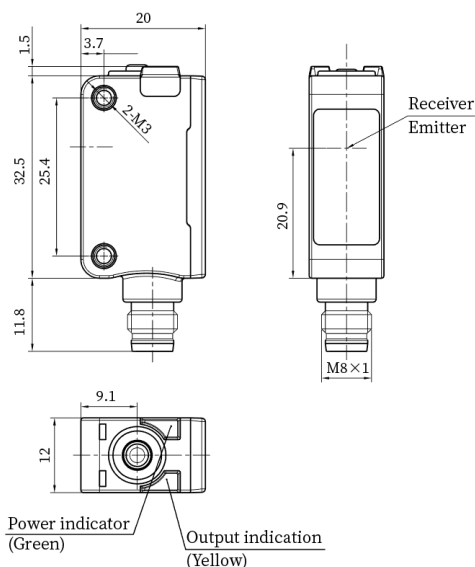
Model specification

NPN NO/NC	PSE-GM2DNBB-E3	PNP NO/NC	PSE-GM2DPBB-E3
-----------	----------------	-----------	----------------

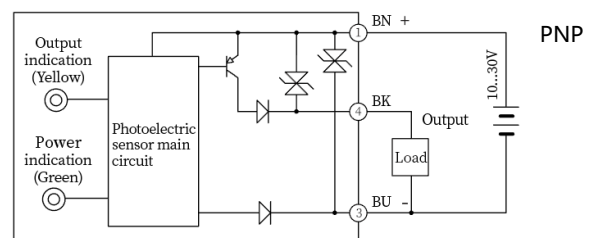
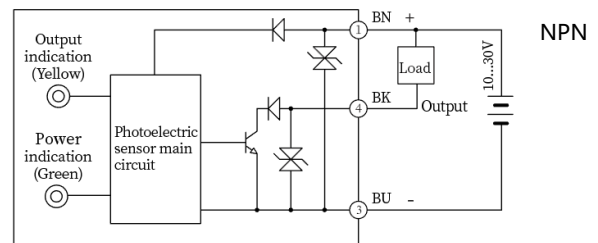
Specifications

Detection type	Polarized reflection (Coaxial Light)	Anti ambient light	Sunshine $\leq 10,000\text{Lux}$; Incandescent $\leq 3,000\text{Lux}$
Detection distance	2m	Storage temperature	- 30...70 °C
Light spot size	60mm@ 2m	Operating temperature	- 25...55 °C (No condensation, no icing)
Supply voltage	10...30VDC (Ripple P-P: < 10%)	Vibration resistance	10...55Hz, Double amplitude 0.5mm (0.5H each for X, Y, Z direction)
Consumption current	< 25mA	Impulse withstand	500m/s ² , 3 times each for X, Y, Z direction
Load current	200mA	High pressure resistant	1000V/AC 50/60Hz 60s
Voltage drop	$\leq 1.5\text{V}$	Protection degree	IP67
Light source	Blue light(460nm)	Housing material	PC+ABS
Protection circuit	Short circuit protection, Polarity protection, Overload protection	Lens	PMMA
Indicator	Green: Power indicator	Weight	10g
	Yellow: Output indication, Overload indication	Connection type	M8 Connector
Response time	< 0.5ms	Accessories	Mounting Bracket: ZJP-8, Operation manual, TD-09A Reflector
NO/NC adjustment	Press the button for 5...8s, when the yellow and green light flash synchronously at 2Hz, finish the state switching.		
Distance adjustment	The product is facing the reflector, press the button for 2...5s, when the yellow and green light flash synchronously at 4Hz, and lift to finish the distance setting. If the yellow and green light flash asynchronously at 8Hz, setting fails and the product distance goes to the maximum.		

Dimension



Wiring diagram



Plastic square photoelectric sensor PSE-GC series



Feature description

- Universal housing, an ideal substitute for sensors of various styles
- Comply with IP67, suitable for harsh environment
- Sensitivity one-key setting, accurate and fast setting
- Stable detection of various transparent bottles and various transparent films
- Normally open and normally closed switchable
- Coaxial optical principle, no blind zone



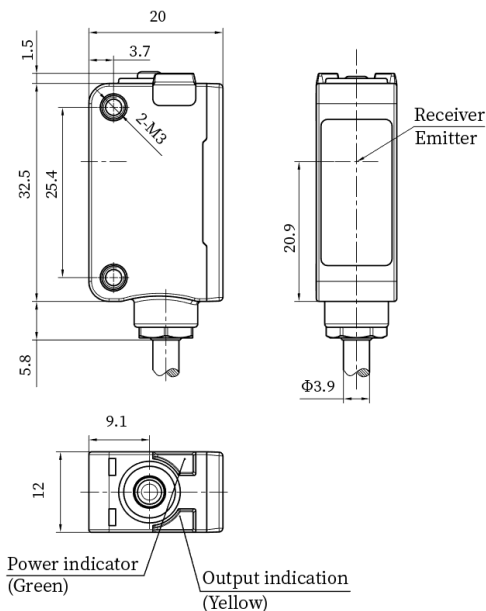
Model specification

NPN NO/NC	PSE-GC50DNBB	PNP NO/NC	PSE-GC50DPBB
-----------	--------------	-----------	--------------

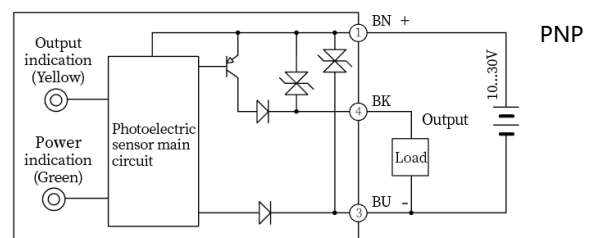
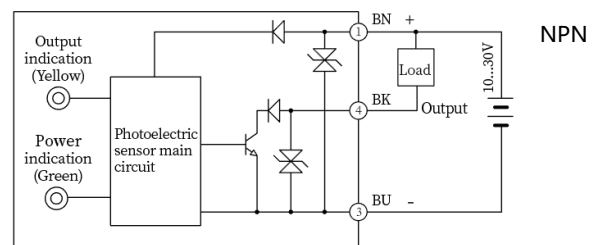
Specifications

Detection type	Polarized reflection (Coaxial Light)	Anti ambient light	Sunshine $\leq 10,000\text{Lux}$; Incandescent $\leq 3,000\text{Lux}$
Detection distance	50cm	Storage temperature	- 30...70 °C
Light spot size	$\leq 14\text{mm}@0.5\text{m}$	Operating temperature	- 25...55 °C (No condensation, no icing)
Supply voltage	10...30VDC (Ripple P-P: < 10%)	Vibration resistance	10...55Hz, Double amplitude 0.5mm (0.5H each for X, Y, Z direction)
Consumption current	< 25mA	Impulse withsand	500m/s ² , 3 times each for X, Y, Z direction
Load current	200mA	High pressure resistant	1000V/AC 50/60Hz 60s
Voltage drop	$\leq 1.5\text{V}$	Protection degree	IP67
Light source	Blue light(460nm)	Housing material	PC+ABS
Protection circuit	Short circuit protection, Polarity protection, Overload protection	Lens	PMMA
Indicator	Green:Power indicator	Weight	10g
	Yellow:Output indication, Overload indication	Connection type	2m PVC Cable
Response time	< 0.5ms	Accessories	Mounting Bracket:ZJP-8, Operation manual, TD-08 Reflector
NO/NC adjustment	Press the button for 5...8s, when the yellow and green light flash synchronously at 2Hz, finish the state switching.		
Distance adjustment	The product is facing the reflector,press the button for 2...5s,when the yellow and green light flash synchronously at 4Hz, and lift to finish the distance setting.If the yellow and green light flash asynchronously at 8Hz, setting fails and the product distance goes to the maximum.		

Dimension



Wiring diagram



Plastic square photoelectric sensor PSE-GC series



Feature description

- Universal housing, an ideal substitute for sensors of various styles
- Comply with IP67, suitable for harsh environment
- Sensitivity one-key setting, accurate and fast setting
- Stable detection of various transparent bottles and various transparent films
- Normally open and normally closed switchable
- Coaxial optical principle, no blind zone



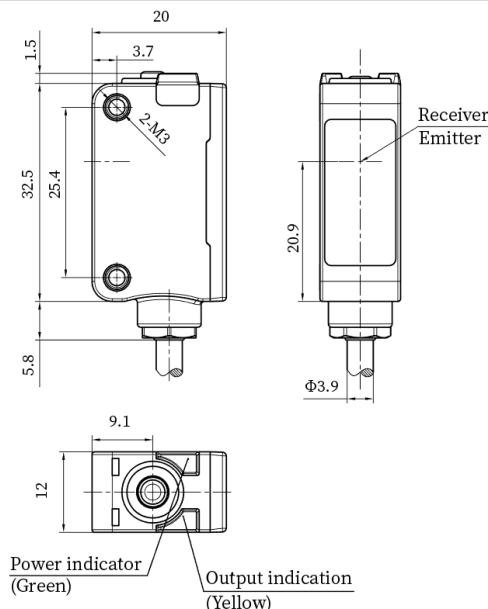
Model specification

NPN NO/NC	PSE-GM2DNBB	PNP NO/NC	PSE-GM2DPBB
-----------	-------------	-----------	-------------

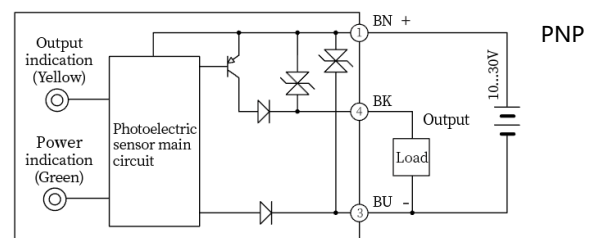
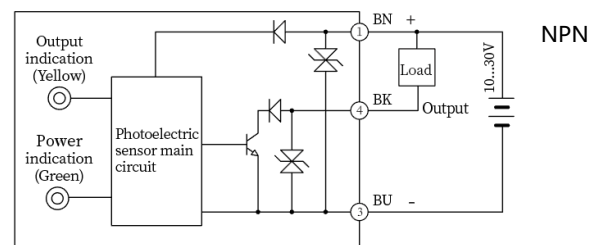
Specifications

Detection type	Polarized reflection (Coaxial Light)	Anti ambient light	Sunshine $\leq 10,000\text{Lux}$; Incandescent $\leq 3,000\text{Lux}$
Detection distance	2m	Storage temperature	- 30...70 °C
Light spot size	60mm@ 2m	Operating temperature	- 25...55 °C (No condensation, no icing)
Supply voltage	10...30VDC (Ripple P-P: < 10%)	Vibration resistance	10...55Hz, Double amplitude 0.5mm (0.5H each for X, Y, Z direction)
Consumption current	< 25mA	Impulse withsand	500m/s ² , 3 times each for X, Y, Z direction
Load current	200mA	High pressure resistant	1000V/AC 50/60Hz 60s
Voltage drop	$\leq 1.5\text{V}$	Protection degree	IP67
Light source	Blue light(460nm)	Housing material	PC+ABS
Protection circuit	Short circuit protection, Polarity protection, Overload protection	Lens	PMMA
Indicator	Green: Power indicator Yellow: Output indication, Overload indication	Weight	50g
Response time	< 0.5ms	Connection type	2m PVC Cable
NO/NC adjustment	Press the button for 5...8s, when the yellow and green light flash synchronously at 2Hz, finish the state switching.	Accessories	Mounting Bracket: ZJP-8, Operation manual, TD-09A Reflector
Distance adjustment	The product is facing the reflector, press the button for 2...5s, when the yellow and green light flash synchronously at 4Hz, and lift to finish the distance setting. If the yellow and green light flash asynchronously at 8Hz, setting fails and the product distance goes to the maximum.		

Dimension



Wiring diagram



По вопросам продаж и поддержки обращайтесь:

Алматы (727)345-47-04
Ангарск (3955)60-70-56
Архангельск (8182)63-90-72
Астрахань (8512)99-46-04
Барнаул (3852)73-04-60
Белгород (4722)40-23-64
Благовещенск (4162)22-76-07
Брянск (4832)59-03-52
Владивосток (423)249-28-31
Владикавказ (8672)28-90-48
Владимир (4922)49-43-18
Волгоград (844)278-03-48
Вологда (8172)26-41-59
Воронеж (473)204-51-73
Екатеринбург (343)384-55-89

Иваново (4932)77-34-06
Ижевск (3412)26-03-58
Иркутск (395)279-98-46
Казань (843)206-01-48
Калининград (4012)72-03-81
Калуга (4842)92-23-67
Кемерово (3842)65-04-62
Киров (8332)68-02-04
Коломна (4966)23-41-49
Кострома (4942)77-07-48
Краснодар (861)203-40-90
Красноярск (391)204-63-61
Курск (4712)77-13-04
Курган (3522)50-90-47
Липецк (4742)52-20-81

Магнитогорск (3519)55-03-13
Москва (495)268-04-70
Мурманск (8152)59-64-93
Набережные Челны (8552)20-53-41
Новокузнецк (3843)20-46-81
Ноябрьск (3496)41-32-12
Новосибирск (383)227-86-73
Омск (3812)21-46-40
Орел (4862)44-53-42
Оренбург (3532)37-68-04
Пенза (8412)22-31-16
Петрозаводск (8142)55-98-37
Псков (8112)59-10-37
Пермь (342)205-81-47

Ростов-на-Дону (863)308-18-15
Рязань (4912)46-61-64
Самара (846)206-03-16
Санкт-Петербург (812)309-46-40
Саратов (845)249-38-78
Севастополь (8692)22-31-93
Саранск (8342)22-96-24
Симферополь (3652)67-13-56
Смоленск (4812)29-41-54
Сочи (862)225-72-31
Ставрополь (8652)20-65-13
Сургут (3462)77-98-35
Сыктывкар (8212)25-95-17
Тамбов (4752)50-40-97
Тверь (4822)63-31-35

Тольятти (8482)63-91-07
Томск (3822)98-41-53
Тула (4872)33-79-87
Тюмень (3452)66-21-18
Ульяновск (8422)24-23-59
Улан-Удэ (3012)59-97-51
Уфа (347)229-48-12
Хабаровск (4212)92-98-04
Чебоксары (8352)28-53-07
Челябинск (351)202-03-61
Череповец (8202)49-02-64
Чита (3022)38-34-83
Якутск (4112)23-90-97
Ярославль (4852)69-52-93

Россия +7(495)268-04-70

Казахстан +(727)345-47-04

Беларусь +(375)257-127-884

Узбекистан +998(71)205-18-59

Киргизия +996(312)96-26-47

эл.почта: ahj@nt-rt.ru || сайт: <https://lanbao.nt-rt.ru/>