

Фотоэлектрические датчики PSE-BC10/BC100/BC30

Технические характеристики

По вопросам продаж и поддержки обращайтесь:

Алматы (727)345-47-04
Ангарск (3955)60-70-56
Архангельск (8182)63-90-72
Астрахань (8512)99-46-04
Барнаул (3852)73-04-60
Белгород (4722)40-23-64
Благовещенск (4162)22-76-07
Брянск (4832)59-03-52
Владивосток (423)249-28-31
Владикавказ (8672)28-90-48
Владимир (4922)49-43-18
Волгоград (844)278-03-48
Вологда (8172)26-41-59
Воронеж (473)204-51-73
Екатеринбург (343)384-55-89

Иваново (4932)77-34-06
Ижевск (3412)26-03-58
Иркутск (395)279-98-46
Казань (843)206-01-48
Калининград (4012)72-03-81
Калуга (4842)92-23-67
Кемерово (3842)65-04-62
Киров (8332)68-02-04
Коломна (4966)23-41-49
Кострома (4942)77-07-48
Краснодар (861)203-40-90
Красноярск (391)204-63-61
Курск (4712)77-13-04
Курган (3522)50-90-47
Липецк (4742)52-20-81

Магнитогорск (3519)55-03-13
Москва (495)268-04-70
Мурманск (8152)59-64-93
Набережные Челны (8552)20-53-41
Нижний Новгород (831)429-08-12
Новокузнецк (3843)20-46-81
Ноябрьск (3496)41-32-12
Новосибирск (383)227-86-73
Омск (3812)21-46-40
Орел (4862)44-53-42
Оренбург (3532)37-68-04
Пенза (8412)22-31-16
Петрозаводск (8142)55-98-37
Псков (8112)59-10-37
Пермь (342)205-81-47

Ростов-на-Дону (863)308-18-15
Рязань (4912)46-61-64
Самара (846)206-03-16
Санкт-Петербург (812)309-46-40
Саратов (845)249-38-78
Севастополь (8692)22-31-93
Саранск (8342)22-96-24
Симферополь (3652)67-13-56
Смоленск (4812)29-41-54
Сочи (862)225-72-31
Ставрополь (8652)20-65-13
Сургут (3462)77-98-35
Сыктывкар (8212)25-95-17
Тамбов (4752)50-40-97
Тверь (4822)63-31-35

Тольятти (8482)63-91-07
Томск (3822)98-41-53
Тула (4872)33-79-87
Тюмень (3452)66-21-18
Ульяновск (8422)24-23-59
Улан-Удэ (3012)59-97-51
Уфа (347)229-48-12
Хабаровск (4212)92-98-04
Чебоксары (8352)28-53-07
Челябинск (351)202-03-61
Череповец (8202)49-02-64
Чита (3022)38-34-83
Якутск (4112)23-90-97
Ярославль (4852)69-52-93

Россия +7(495)268-04-70

Казахстан +(727)345-47-04

Беларусь +(375)257-127-884

Узбекистан +998(71)205-18-59

Киргизия +996(312)96-26-47

эл.почта: ahj@nt-rt.ru || сайт: <https://lanbao.nt-rt.ru/>

Plastic square shape photoelectric sensors PSE series



Features

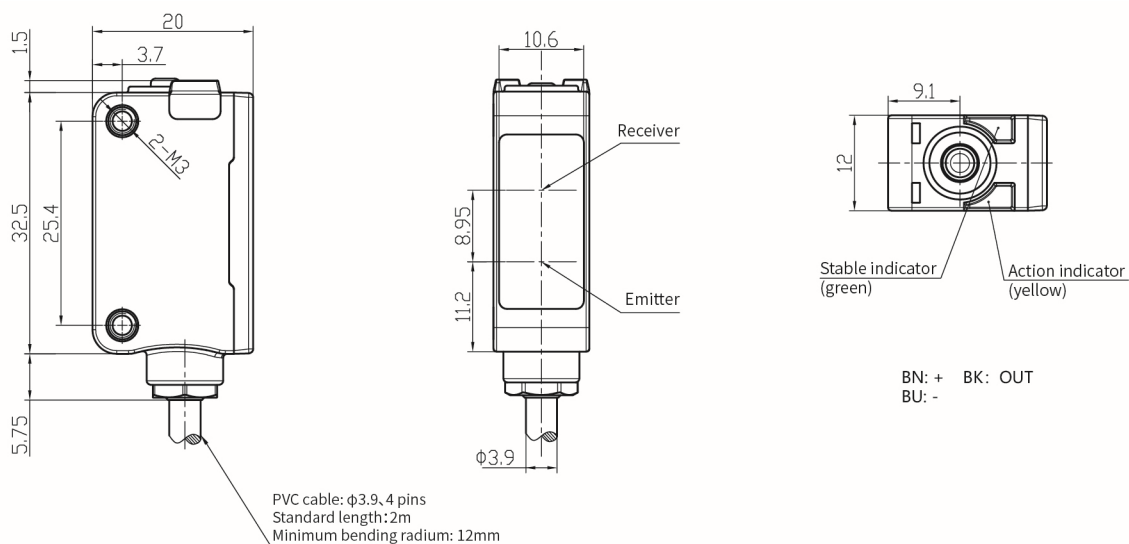
- Universal housing, an ideal replacement for a wide range of sensor types;
- IP67, suitable for harsh environments;
- One-click distance setting, accurate and fast;
- Small detection dead zone, suitable for the detection of high light objects.



Model			
NPN NO/NC	PSE-BC10DNB	PNP NO/NC	PSE-BC10DPB

Specifications			
Detection type	Diffuse reflection (Wide-angle)	Indicator	Green light: power, stable signal (unstable signal flash)
Rated distance	10cm		Yellow light: output, overload or short circuit (flash)
Output	NPN NO/NC or PNP NO/NC	Anti-ambient light	Anti-sunlight interference $\leq 10,000\text{lux}$;
Response time	$\leq 1\text{ms}$		Incandescent light interference $\leq 3,000\text{lux}$
Supply voltage	10...30 VDC	Operating temperature	$-25^{\circ}\text{C} \dots 55^{\circ}\text{C}$
Consumption current	$\leq 25\text{mA}$	Storage temperature	$-25^{\circ}\text{C} \dots 70^{\circ}\text{C}$
Load current	$\leq 200\text{mA}$	Protection degree	IP67
Hysteresis range	3...20%	Production standard	EN60947-5-2:2012, IEC60947-5-2:2012
Voltage drop	$\leq 1\text{V}$	Material	Housing: PC+ABS; Filter: PMMA
Light source	Infrared (860nm)	Weight	50g
Circuit protection	Short-circuit, overload, reverse polarity and zener protection	Connection	2m PVC cable
NO/NC adjustment	Press the button for 5...8s, when the yellow and green light flash synchronously at 2Hz, and lift. Finish state switch.		
Distance adjustment	Press the button for 2...5s, when the yellow and green light flash synchronously at 4Hz, and lift to finish the distance setting. If the yellow and green light flash asynchronously @8Hz for 3s, setting fails and the product distance goes to the maximum.		

Dimensions



Plastic square shape photoelectric sensors PSE series



Features

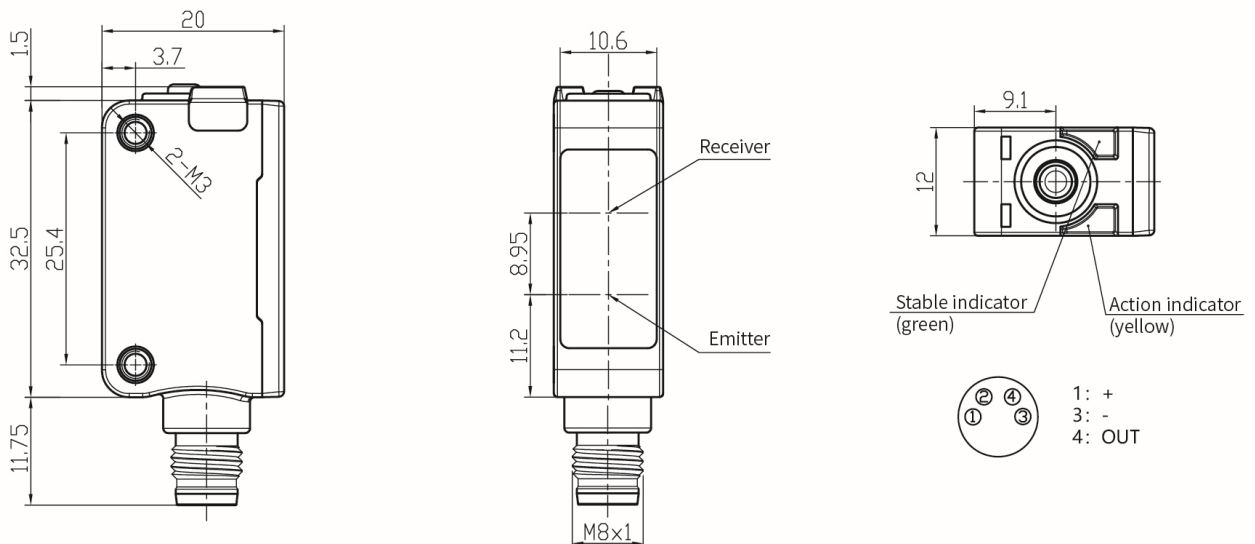
- Universal housing, an ideal replacement for a wide range of sensor types;
- IP67, suitable for harsh environments;
- One-click distance setting, accurate and fast;
- Small detection dead zone, suitable for the detection of high light objects.



Model			
NPN NO/NC	PSE-BC10DNB-E3	PNP NO/NC	PSE-BC10DPB-E3

Specifications			
Detection type	Diffuse reflection (Wide-angle)	Indicator	Green light: power, stable signal (unstable signal flash)
Sensing distance	10cm		Yellow light: output, overload or short circuit (flash)
Output	NPN NO/NC or PNP NO/NC	Anti-ambient light	Anti-sunlight interference ≤ 10,000lux;
Response time	≤1ms		Incandescent light interference ≤ 3,000lux
Supply voltage	10...30 VDC	Operating temperature	-25°C...55 °C
Consumption current	≤25mA	Storage temperature	-25°C...70 °C
Load current	≤200mA	Protection degree	IP67
Hysteresis range	3...20%	Production standard	EN60947-5-2:2012、 IEC60947-5-2:2012
Voltage drop	≤1V	Material	Housing: PC+ABS; Filter: PMMA
Light source	Infrared (860nm)	Weight	10g
Protection circuit	Short-circuit, overload, reverse polarity and zener protection	Connection	M8 connector
NO/NC adjustment	Press the button for 5...8s, when the yellow and green light flash synchronously at 2Hz, and lift. Finish state switch.		
Distance adjustment	Press the button for 2...5s, when the yellow and green light flash synchronously at 4Hz, and lift to finish the distance setting. If the yellow and green light flash asynchronously @8Hz for 3s, setting fails and the product distance goes to the maximum.		

Dimensions



Plastic square shape photoelectric sensors PSE series



Features

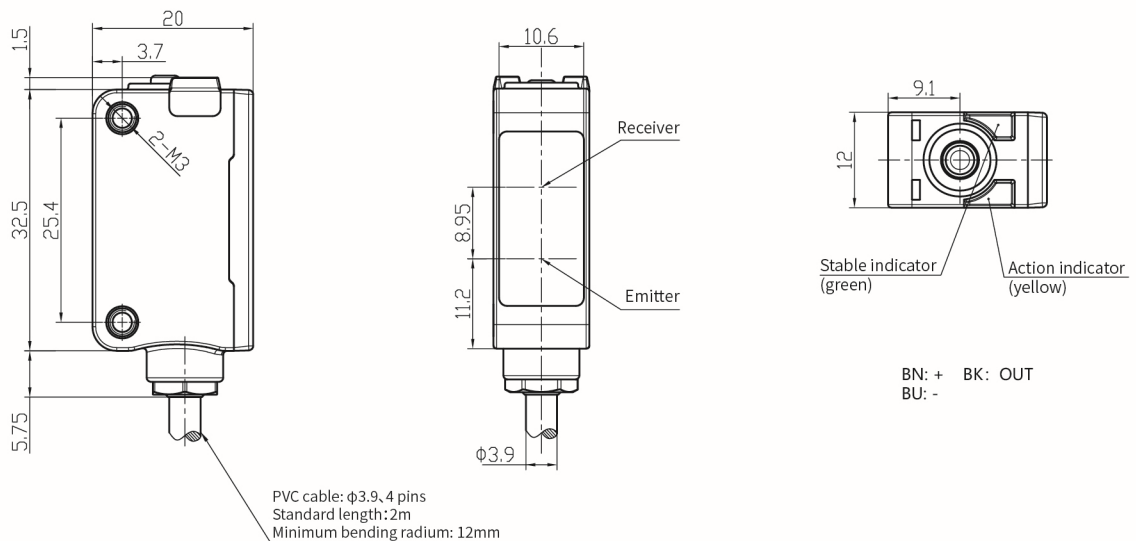
- Universal housing, an ideal replacement for a wide range of sensor types;
- IP67, suitable for harsh environments;
- One-click distance setting, accurate and fast;



Model			
NPN NO/NC	PSE-BC100DNB	PNP NO/NC	PSE-BC100DPB

Specifications			
Detection type	Diffuse reflection	Indicator	Green light: power, stable signal (unstable signal flash)
Rated distance	100cm		Yellow light: output, overload or short circuit (flash)
Output	NPN NO/NC or PNP NO/NC	Anti-ambient light	Anti-sunlight interference ≤ 10,000lux;
Response time	≤1ms		Incandescent light interference ≤ 3,000lux
Supply voltage	10...30 VDC	Operating temperature	-25°C...55 °C
Consumption current	≤25mA	Storage temperature	-25°C...70 °C
Load current	≤200mA	Protection degree	IP67
Hysteresis range	3...20%	Production standard	EN60947-5-2:2012、IEC60947-5-2:2012
Voltage drop	≤1V	Material	Housing: PC+ABS; Filter: PMMA
Light source	Infrared (860nm)	Weight	50g
Circuit protection	Short-circuit, overload, reverse polarity and zener protection	Connection	2m PVC cable
NO/NC adjustment	Press the button for 5...8s, when the yellow and green light flash synchronously at 2Hz, and lift. Finish state switch.		
Distance adjustment	Press the button for 2...5s, when the yellow and green light flash synchronously at 4Hz, and lift to finish the distance setting. If the yellow and green light flash asynchronously @8Hz for 3s, setting fails and the product distance goes to the maximum.		

Dimensions



Plastic square shape photoelectric sensors PSE series



Features

- Universal housing, an ideal replacement for a wide range of sensor types;
- IP67, suitable for harsh environments;
- One-click distance setting, accurate and fast;



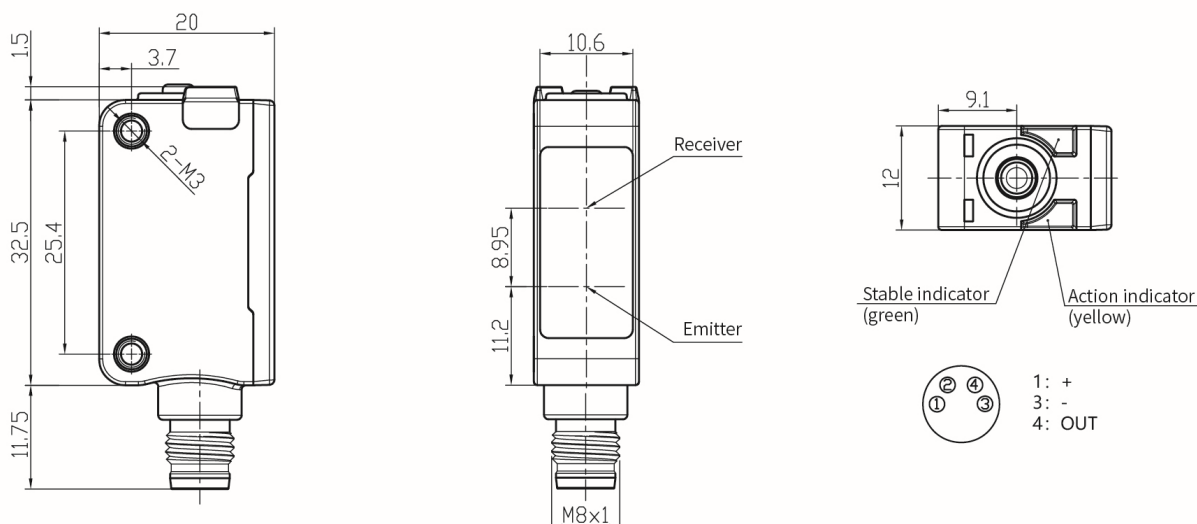
Model

NPN NO/NC	PSE-BC100DNB-E3	PNP NO/NC	PSE-BC100DPB-E3
-----------	-----------------	-----------	-----------------

Specifications

Detection type	Diffuse reflection	Indicator	Green light: power, stable signal (unstable signal flash)
Sensing distance	100cm		Yellow light: output, overload or short circuit (flash)
Output	NPN NO/NC or PNP NO/NC	Anti-ambient light	Anti-sunlight interference $\leq 10,000$ lux;
Response time	≤ 1 ms		Incandescent light interference $\leq 3,000$ lux
Supply voltage	10...30 VDC	Operating temperature	-25°C...55 °C
Consumption current	≤ 25 mA	Storage temperature	-25°C...70 °C
Load current	≤ 200 mA	Protection degree	IP67
Hysteresis range	3...20%	Production standard	EN60947-5-2:2012, IEC60947-5-2:2012
Voltage drop	≤ 1 V	Material	Housing: PC+ABS; Filter: PMMA
Light source	Infrared (860nm)	Weight	10g
Protection circuit	Short-circuit, overload, reverse polarity and zener protection	Connection	M8 connector
NO/NC adjustment	Press the button for 5...8s, when the yellow and green light flash synchronously at 2Hz, and lift. Finish state switch.		
Distance adjustment	Press the button for 2...5s, when the yellow and green light flash synchronously at 4Hz, and lift to finish the distance setting. If the yellow and green light flash asynchronously @8Hz for 3s, setting fails and the product distance goes to the maximum.		

Dimensions



Plastic square shape photoelectric sensors PSE series



Features

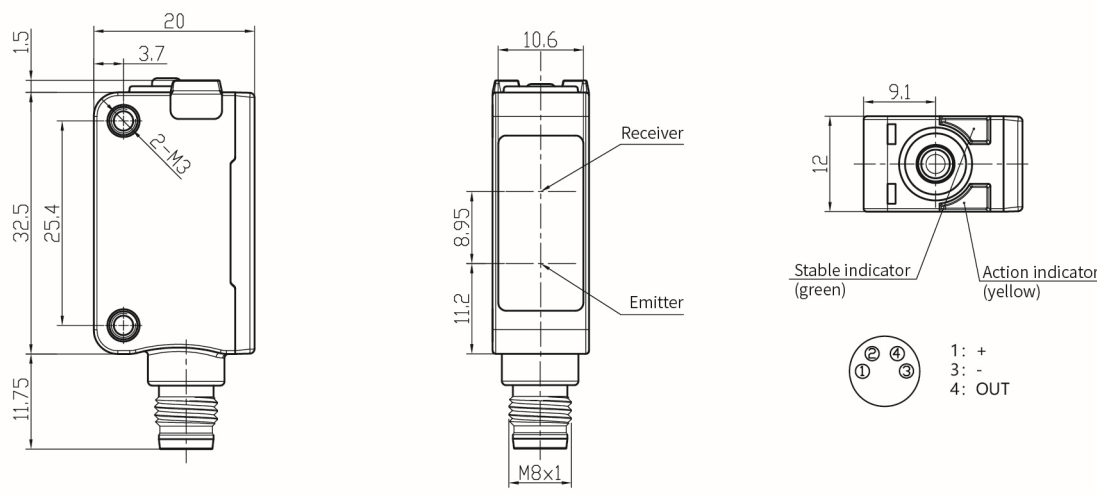
- Universal housing, an ideal replacement for a wide range of sensor types;
- IP67, suitable for harsh environments;
- One-click distance setting, accurate and fast;
- Designed with a red point source for easy calibration.



Model			
NPN NO/NC	PSE-BC30DNBR-E3	PNP NO/NC	PSE-BC30DPBR-E3

Specifications			
Detection type	Diffuse reflection	Indicator	Green light: power, stable signal (unstable signal flash)
Rated distance	30cm		Yellow light: output, overload or short circuit (flash)
Output	NPN NO/NC or PNP NO/NC	Anti-ambient light	Anti-sunlight interference ≤ 10,000lux;
Spot diameter	8mm@30cm		Incandescent light interference ≤ 3,000lux
Response time	≤0.5ms	Operating temperature	-25°C...55 °C
Supply voltage	10...30 VDC	Storage temperature	-25°C...70 °C
Consumption current	≤25mA	Protection degree	IP67
Load current	≤200mA	Production standard	EN60947-5-2:2012、IEC60947-5-2:2012
Hysteresis range	3...20%	Material	Housing: PC+ABS; Filter: PMMA
Voltage drop	≤1V	Weight	10g
Light source	Red light (640nm)	Connection	M8 connector
Circuit protection	Short-circuit, overload, reverse polarity and zener protection		
NO/NC adjustment	Press the button for 5...8s, when the yellow and green light flash synchronously at 2Hz, and lift. Finish state switch.		
Distance adjustment	Press the button for 2...5s, when the yellow and green light flash synchronously at 4Hz, and lift to finish the distance setting.		
	If the yellow and green light flash asynchronously @8Hz for 3s, setting fails and the product distance goes to the maximum.		

Dimensions



Plastic square shape photoelectric sensors PSE series



Features

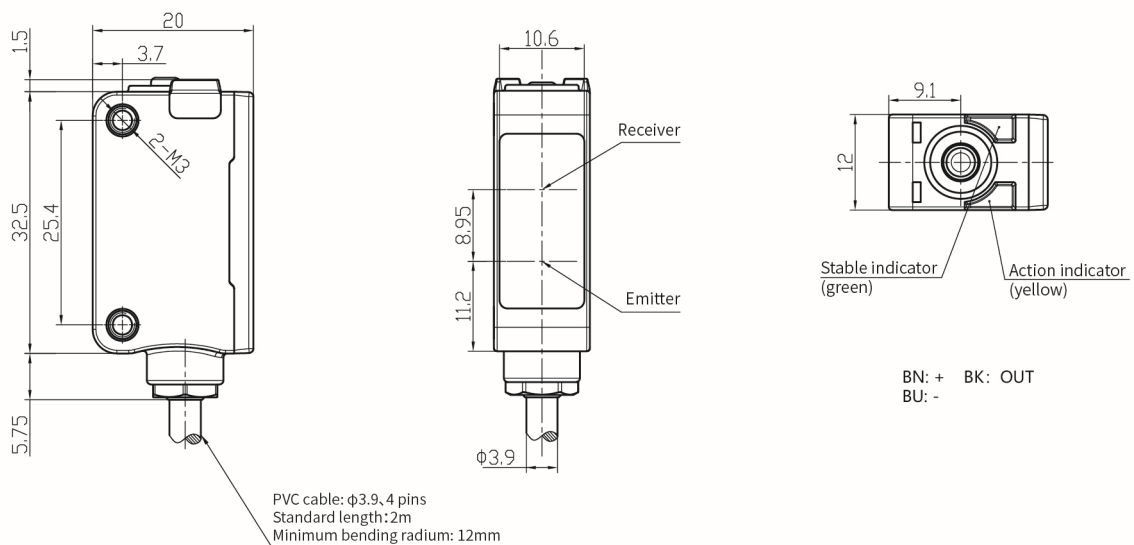
- Universal housing, an ideal replacement for a wide range of sensor types;
- IP67, suitable for harsh environments;
- One-click distance setting, accurate and fast;
- Designed with a red point source for easy calibration.



Model			
NPN NO/NC	PSE-BC30DNBR	PNP NO/NC	PSE-BC30DPBR

Specifications			
Detection type	Diffuse reflection	Indicator	Green light: power, stable signal (unstable signal flash)
Rated distance	30cm		Yellow light: output, overload or short circuit (flash)
Output	NPN NO/NC or PNP NO/NC	Anti-ambient light	Anti-sunlight interference $\leq 10,000\text{lux}$;
Spot diameter	8mm@30cm		Incandescent light interference $\leq 3,000\text{lux}$
Response time	$\leq 0.5\text{ms}$	Operating temperature	$-25^{\circ}\text{C} \dots 55^{\circ}\text{C}$
Supply voltage	10...30 VDC	Storage temperature	$-25^{\circ}\text{C} \dots 70^{\circ}\text{C}$
Consumption current	$\leq 25\text{mA}$	Protection degree	IP67
Load current	$\leq 200\text{mA}$	Production standard	EN60947-5-2:2012、IEC60947-5-2:2012
Hysteresis range	3...20%	Material	Housing: PC+ABS; Filter: PMMA
Voltage drop	$\leq 1\text{V}$	Weight	50g
Light source	Red light (640nm)	Connection	2m PVC cable
Circuit protection	Short-circuit, overload, reverse polarity and zener protection		
NO/NC adjustment	Press the button for 5...8s, when the yellow and green light flash synchronously at 2Hz, and lift. Finish state switch.		
Distance adjustment	Press the button for 2...5s, when the yellow and green light flash synchronously at 4Hz, and lift to finish the distance setting.		
	If the yellow and green light flash asynchronously @8Hz for 3s, setting fails and the product distance goes to the maximum.		

Dimensions



По вопросам продаж и поддержки обращайтесь:

Алматы (727)345-47-04
Ангарск (3955)60-70-56
Архангельск (8182)63-90-72
Астрахань (8512)99-46-04
Барнаул (3852)73-04-60
Белгород (4722)40-23-64
Благовещенск (4162)22-76-07
Брянск (4832)59-03-52
Владивосток (423)249-28-31
Владикавказ (8672)28-90-48
Владимир (4922)49-43-18
Волгоград (844)278-03-48
Вологда (8172)26-41-59
Воронеж (473)204-51-73
Екатеринбург (343)384-55-89

Иваново (4932)77-34-06
Ижевск (3412)26-03-58
Иркутск (395)279-98-46
Казань (843)206-01-48
Калининград (4012)72-03-81
Калуга (4842)92-23-67
Кемерово (3842)65-04-62
Киров (8332)68-02-04
Коломна (4966)23-41-49
Кострома (4942)77-07-48
Краснодар (861)203-40-90
Красноярск (391)204-63-61
Курск (4712)77-13-04
Курган (3522)50-90-47
Липецк (4742)52-20-81

Магнитогорск (3519)55-03-13
Москва (495)268-04-70
Мурманск (8152)59-64-93
Набережные Челны (8552)20-53-41
Новокузнецк (3843)20-46-81
Ноябрьск (3496)41-32-12
Новосибирск (383)227-86-73
Омск (3812)21-46-40
Орел (4862)44-53-42
Оренбург (3532)37-68-04
Пенза (8412)22-31-16
Петрозаводск (8142)55-98-37
Псков (8112)59-10-37
Пермь (342)205-81-47

Ростов-на-Дону (863)308-18-15
Рязань (4912)46-61-64
Самара (846)206-03-16
Санкт-Петербург (812)309-46-40
Саратов (845)249-38-78
Севастополь (8692)22-31-93
Саранск (8342)22-96-24
Симферополь (3652)67-13-56
Смоленск (4812)29-41-54
Сочи (862)225-72-31
Ставрополь (8652)20-65-13
Сургут (3462)77-98-35
Сыктывкар (8212)25-95-17
Тамбов (4752)50-40-97
Тверь (4822)63-31-35

Тольятти (8482)63-91-07
Томск (3822)98-41-53
Тула (4872)33-79-87
Тюмень (3452)66-21-18
Ульяновск (8422)24-23-59
Улан-Удэ (3012)59-97-51
Уфа (347)229-48-12
Хабаровск (4212)92-98-04
Чебоксары (8352)28-53-07
Челябинск (351)202-03-61
Череповец (8202)49-02-64
Чита (3022)38-34-83
Якутск (4112)23-90-97
Ярославль (4852)69-52-93

Россия +7(495)268-04-70

Казахстан +(727)345-47-04

Беларусь +(375)257-127-884

Узбекистан +998(71)205-18-59

Киргизия +996(312)96-26-47

эл.почта: ahj@nt-rt.ru || сайт: <https://lanbao.nt-rt.ru/>