

Фотоэлектрические датчики PSR

Технические характеристики

По вопросам продаж и поддержки обращайтесь:

Алматы (727)345-47-04
Ангарск (3955)60-70-56
Архангельск (8182)63-90-72
Астрахань (8512)99-46-04
Барнаул (3852)73-04-60
Белгород (4722)40-23-64
Благовещенск (4162)22-76-07
Брянск (4832)59-03-52
Владивосток (423)249-28-31
Владикавказ (8672)28-90-48
Владимир (4922)49-43-18
Волгоград (844)278-03-48
Вологда (8172)26-41-59
Воронеж (473)204-51-73
Екатеринбург (343)384-55-89

Иваново (4932)77-34-06
Ижевск (3412)26-03-58
Иркутск (395)279-98-46
Казань (843)206-01-48
Калининград (4012)72-03-81
Калуга (4842)92-23-67
Кемерово (3842)65-04-62
Киров (8332)68-02-04
Коломна (4966)23-41-49
Кострома (4942)77-07-48
Краснодар (861)203-40-90
Красноярск (391)204-63-61
Курск (4712)77-13-04
Курган (3522)50-90-47
Липецк (4742)52-20-81

Магнитогорск (3519)55-03-13
Москва (495)268-04-70
Мурманск (8152)59-64-93
Набережные Челны (8552)20-53-41
Нижний Новгород (831)429-08-12
Новокузнецк (3843)20-46-81
Ноябрьск (3496)41-32-12
Новосибирск (383)227-86-73
Омск (3812)21-46-40
Орел (4862)44-53-42
Оренбург (3532)37-68-04
Пенза (8412)22-31-16
Петрозаводск (8142)55-98-37
Псков (8112)59-10-37
Пермь (342)205-81-47

Ростов-на-Дону (863)308-18-15
Рязань (4912)46-61-64
Самара (846)206-03-16
Санкт-Петербург (812)309-46-40
Саратов (845)249-38-78
Севастополь (8692)22-31-93
Саранск (8342)22-96-24
Симферополь (3652)67-13-56
Смоленск (4812)29-41-54
Сочи (862)225-72-31
Ставрополь (8652)20-65-13
Сургут (3462)77-98-35
Сыктывкар (8212)25-95-17
Тамбов (4752)50-40-97
Тверь (4822)63-31-35

Тольятти (8482)63-91-07
Томск (3822)98-41-53
Тула (4872)33-79-87
Тюмень (3452)66-21-18
Ульяновск (8422)24-23-59
Улан-Удэ (3012)59-97-51
Уфа (347)229-48-12
Хабаровск (4212)92-98-04
Чебоксары (8352)28-53-07
Челябинск (351)202-03-61
Череповец (8202)49-02-64
Чита (3022)38-34-83
Якутск (4112)23-90-97
Ярославль (4852)69-52-93

Россия +7(495)268-04-70

Казахстан +(727)345-47-04

Беларусь +(375)257-127-884

Узбекистан +998(71)205-18-59

Киргизия +996(312)96-26-47

эл.почта: ahj@nt-rt.ru || сайт: <https://lanbao.nt-rt.ru/>

Plastic square shape photoelectric sensors **PSR** series

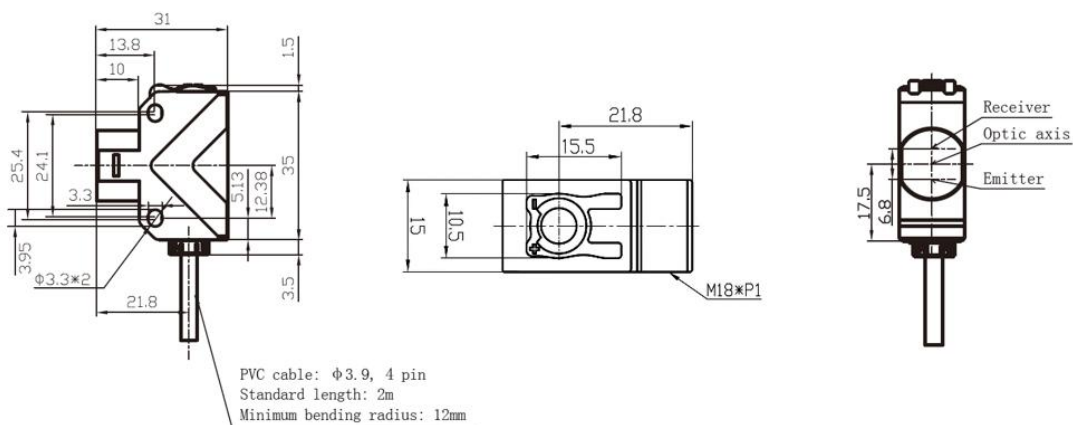
Features

- ◆ 18mm threaded cylindrical installation or side installation, it is an ideal substitute for various styles of sensors;
- ◆ Background suppression type, stable detection regardless of white or black detected objects;
- ◆ With 360° visible bright LED status indicator;
- ◆ Visible light spot, easy to install and debug.


Part number

NPN	PSR-YC10DNBR	PNP	PSR-YC10DPBR
-----	--------------	-----	--------------

Technical specifications			
Detection type	Background suppression	Anti-ambient light	Anti-ambient light interference < 10,000lx;
Rated distance [Sn]	100mm		Incandescent light interference < 3,000lx
Light source	Red LED (660nm)	Indicator display	Green light: power indicator, stable indication (low brightness, weak signal)
Light spot	8*8mm@10cm		Yellow light: output indication, short circuit or overload indication (flashing)
Output	NO/NC	Ambient temperature	-15°C...60°C
Hysteresis range [%/Sr]	≤5%	Ambient humidity	35-95%RH (non-condensing)
Supply voltage	10...30VDC	Voltage withstand	1000V/AC 50/60Hz 60s
Load current	≤100mA	Insulation resistance	≥50MΩ(500VDC)
Residual voltage	≤1.8V	Vibration resistance	10...50Hz (0.5mm)
Distance adjustment	Non-adjustable	Degree of protection	IP67
Consumption current	≤25mA	Housing material	ABS
Circuit protection	Short-circuit, overload, reverse polarity and zener protection	Installation method	Composite installation
Response time	≤0.5ms	Optical components	Plastic PMMA
NO/NC adjustment	NO: white line is connected to the positive electrode;	Weight	52g
	NC: white line is connected to the negative electrode;	Connection type	2m PVC cable

Dimensions


Plastic square shape photoelectric sensors **PSR** series

Features

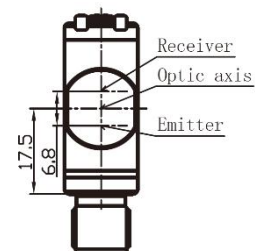
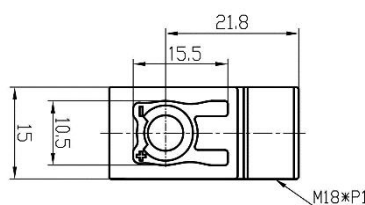
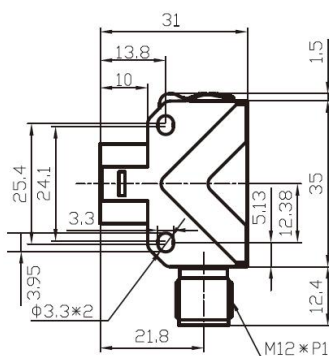
- ◆ 1Background suppression type, stable detection regardless of white or black detected objects;
- ◆ With 360° visible bright LED status indicator;
- ◆ Visible light spot, 8mm threaded cylindrical installation or side installation, it is an ideal substitute for various styles of sensors;
- ◆ easy to install and debug.


Part number

NPN	PSR-YC10DNBR-E2	PNP	PSR-YC10DPBR-E2
-----	-----------------	-----	-----------------

Technical specifications

Detection type	Background suppression	Anti-ambient light	Anti-ambient light interference < 10,000lx;
Rated distance [Sn]	100mm		Incandescent light interference < 3,000lx
Light source	Red LED (660nm)	Indicator display	Green light: power indicator, stable indication (low brightness, weak signal)
Light spot	8*8mm@10cm		Yellow light: output indication, short circuit or overload indication (flashing)
Output	NO/NC		
Hysteresis range [%/Sr]	≤5%		
Supply voltage	10...30VDC	Ambient temperature	-15°C...60°C
Load current	≤100mA	Ambient humidity	35-95%RH (non-condensing)
Residual voltage	≤1.8V	Voltage withstand	1000V/AC 50/60Hz 60s
Distance adjustment	Non-adjustable	Insulation resistance	≥50MΩ(500VDC)
Consumption current	≤25mA	Vibration resistance	10...50Hz (0.5mm)
Circuit protection	Short-circuit, overload, reverse polarity and zener protection	Degree of protection	IP67
		Housing material	ABS
Response time	≤0.5ms	Installation method	Composite installation
NO/NC adjustment	NO: 2 feet is connected to the positive electrode;	Optical components	Plastic PMMA
	NC: 2 feet is connected to the negative electrode;	Weight	10g
		Connection type	M12 connector

Dimensions


Plastic square shape photoelectric sensors **PSR** series

Features

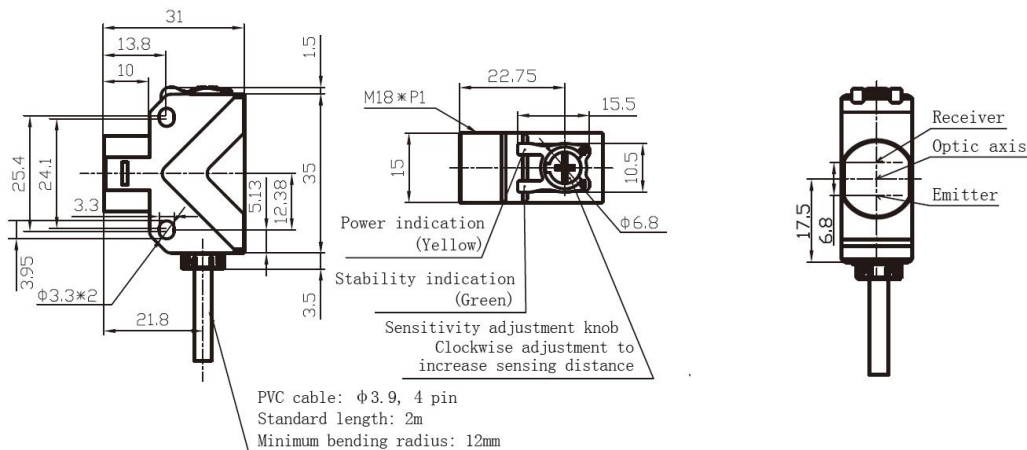
- ◆ 18mm threaded cylindrical installation or side installation, it is an ideal substitute for various styles of sensors;
- ◆ Compliant with IP67, suitable for harsh environments;
- ◆ With 360° visible bright LED status indicator;
- ◆ Visible light spot, easy to install and debug.


Part number

NPN	PSR-BC30DNBR	PNP	PSR-BC30DPBR
-----	--------------	-----	--------------

Technical specifications

Detection type	Diffuse reflection	Anti-ambient light	Anti-ambient light interference < 10,000lx; Incandescent light interference < 3,000lx
Rated distance [Sn]	5...300mm	Indicator display	Green light: power indication, stable indication (blinking means unstable signal) Yellow light: output indication, short circuit or overload indication (flashing)
Light source	Red LED (660nm)	Ambient temperature	-15°C...60°C
Light spot	18*18mm@30cm	Ambient humidity	35-95%RH (non-condensing)
Output	NO/NC	Voltage withstand	1000V/AC 50/60Hz 60s
Hysteresis range [%/Sr]	3...20%	Insulation resistance	≥50MΩ(500VDC)
Supply voltage	10...30VDC	Vibration resistance	10...50Hz (0.5mm)
Load current	≤100mA	Degree of protection	IP67
Residual voltage	≤1V	Housing material	ABS
Distance adjustment	Single-turn potentiometer	Installation method	Composite installation
Consumption current	≤20mA	Optical components	Plastic PMMA
Circuit protection	Short-circuit, overload, reverse polarity and zener protection	Weight	52g
Response time	≤1ms	Connection type	2m PVC cable
NO/NC adjustment	NO: white line is connected to the positive electrode; NC: white line is connected to the negative electrode;		

Dimensions


Plastic square shape photoelectric sensors **PSR** series

Features

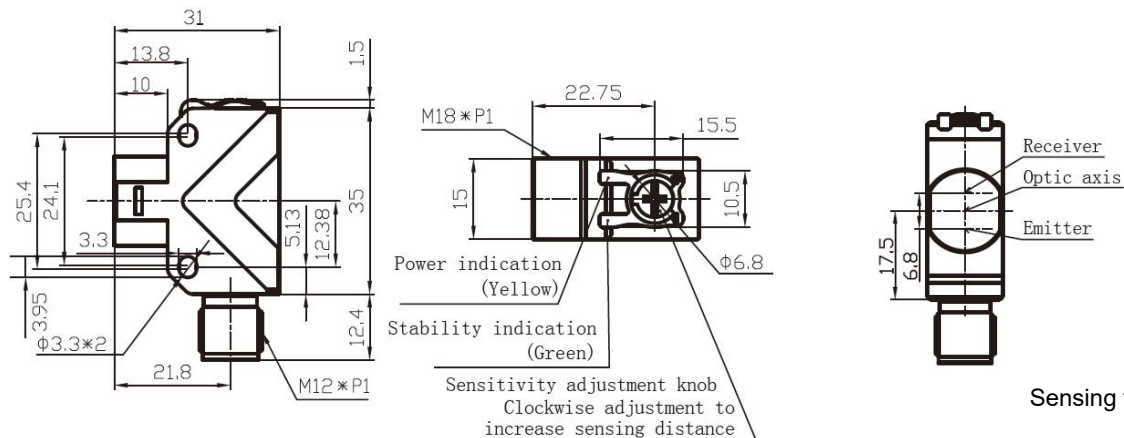
- ◆ 18mm threaded cylindrical installation or side installation, it is an ideal substitute for various styles of sensors;
- ◆ Compliant with IP67, suitable for harsh environments;
- ◆ With 360° visible bright LED status indicator;
- ◆ Visible light spot, easy to install and debug.


Part number

NPN	PSR-BC30DNBR-E2	PNP	PSR-BC30DPBR-E2
-----	-----------------	-----	-----------------

Technical specifications

Detection type	Diffuse reflection	Anti-ambient light	Anti-ambient light interference < 10,000lx;
Rated distance [Sn]	5...300mm		Incandescent light interference < 3,000lx
Light source	Red LED (660nm)	Indicator display	Green light: power indication, stable indication (blinking means unstable signal)
Light spot	18*18mm@30cm		Yellow light: output indication, short circuit or overload indication (flashing)
Output	NO/NC	Ambient temperature	-15°C...60°C
Hysteresis range [%/Sr]	3...20%	Ambient humidity	35...95%RH (non-condensing)
Supply voltage	10...30VDC	Voltage withstand	1000V/AC 50/60Hz 60s
Load current	≤100mA	Insulation resistance	≥50MΩ(500VDC)
Residual voltage	≤1V	Vibration resistance	10...50Hz (0.5mm)
Distance adjustment	Single-turn potentiometer	Degree of protection	IP67
Consumption current	≤20mA	Housing material	ABS
Circuit protection	Short-circuit, overload, reverse polarity and zener protection	Installation method	Composite installation
Response time	≤1ms	Optical components	Plastic PMMA
NO/NC adjustment	NO: 2 feet is connected to the positive electrode;	Weight	10g
	NC: 2 feet is connected to the negative electrode;	Connection type	M12 connector

Dimensions


Plastic square shape photoelectric sensors **PSR** series

Features

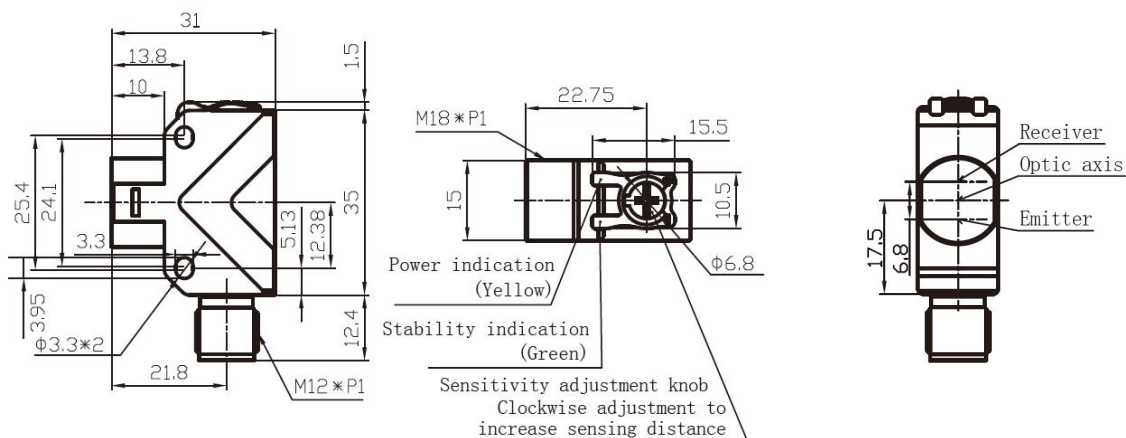
- ◆ 18mm threaded cylindrical installation or side installation, it is an ideal substitute for various styles of sensors;
- ◆ Unique optical design can realize stable detection of bright objects;
- ◆ With 360° visible bright LED status indicator;
- ◆ Visible light spot, easy to install and debug.


Part number

NPN	PSR-PM3DNBR-E2	PNP	PSR-PM3DPBR-E2
-----	----------------	-----	----------------

Technical specifications

Detection type	Polarized reflection	Anti-ambient light	Anti-ambient light interference < 10,000lx;
Rated distance [Sn]	0...3m		Incandescent light interference < 3,000lx
Light source	Red LED (660nm)	Indicator display	Green light: power indication, stable indication (blinking means unstable signal)
Light spot	180*180mm@3m		Yellow light: output indication, short circuit or overload indication (flashing)
Output	NO/NC	Ambient humidity	35...95%RH (non-condensing)
Supply voltage	10...30VDC	Voltage withstand	1000V/AC 50/60Hz 60s
Load current	≤100mA	Insulation resistance	≥50MΩ (500VDC)
Residual voltage	≤1V	Vibration resistance	10...50Hz (0.5mm)
Distance adjustment	Single-turn potentiometer	Degree of protection	IP67
Consumption current	≤20mA	Housing material	ABS
Circuit protection	Short-circuit, overload, reverse polarity and zener protection	Installation method	Composite installation
Response time	≤1ms	Optical components	Plastic PMMA
Ambient temperature	-15°C...60°C	Weight	10g
NO/NC adjustment	NO: 2 feet is connected to the positive electrode; NC: 2 feet is connected to the negative electrode;	Connection type	M12 connector

Dimensions


Plastic square shape photoelectric sensors **PSR** series

Features

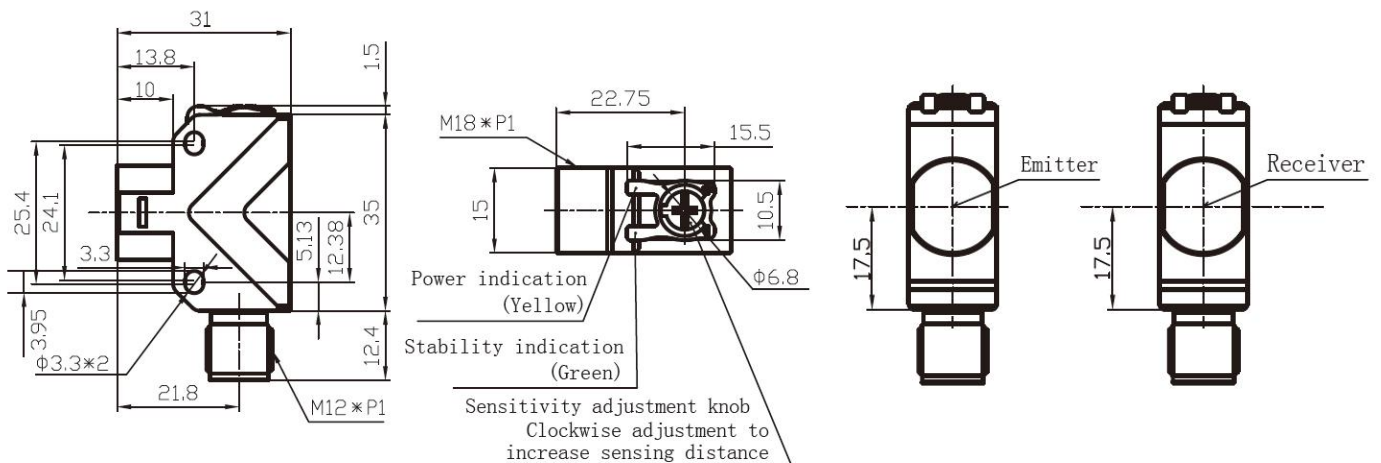
- ◆ 18mm threaded cylindrical installation or side installation, it is an ideal substitute for various styles of sensors;
- ◆ Large angle, long distance, easy to install and debug;
- ◆ With 360° visible bright LED status indicator;


Part number

	Emitter	Receiver		Emitter	Receiver
NPN	PSR-TM20D-E2	PSR-TM20DNB-E2	PNP	PSR-TM20D-E2	PSR-TM20DPB-E2

Technical specifications

Detection type	Through beam	Anti-ambient light	Anti-ambient light interference < 10,000lx;
Rated distance [Sn]	0...20m	Incandescent light interference	< 3,000lx
Standard target	> Φ15mm opaque object	Indicator display	Green light: power indicator
Light source	Infrared LED (850nm)		Yellow light: output indication, short circuit or overload indication (flashing)
Direction angle	> 4°	Ambient temperature	-15°C...60°C
Output	NO/NC	Ambient humidity	35-95%RH (non-condensing)
Supply voltage	10...30VDC	Voltage withstand	1000V/AC 50/60Hz 60s
Load current	≤100mA	Insulation resistance	≥50MΩ (500VDC)
Residual voltage	≤1V (Receiver)	Vibration resistance	10...50Hz (0.5mm)
Distance adjustment	Single-turn potentiometer	Degree of protection	IP67
Consumption current	≤15mA (Emitter), ≤18mA (Receiver)	Housing material	ABS
Circuit protection	Short-circuit, overload, reverse polarity and zener protection	Installation method	Composite installation
Response time	≤1ms	Optical components	Plastic PMMA
NO/NC adjustment	NO: 2 feet is connected to the positive electrode;	Weight	10g
	NC: 2 feet is connected to the negative electrode;	Connection type	M12 connector

Dimensions


Plastic square shape photoelectric sensors **PSR** series

Features

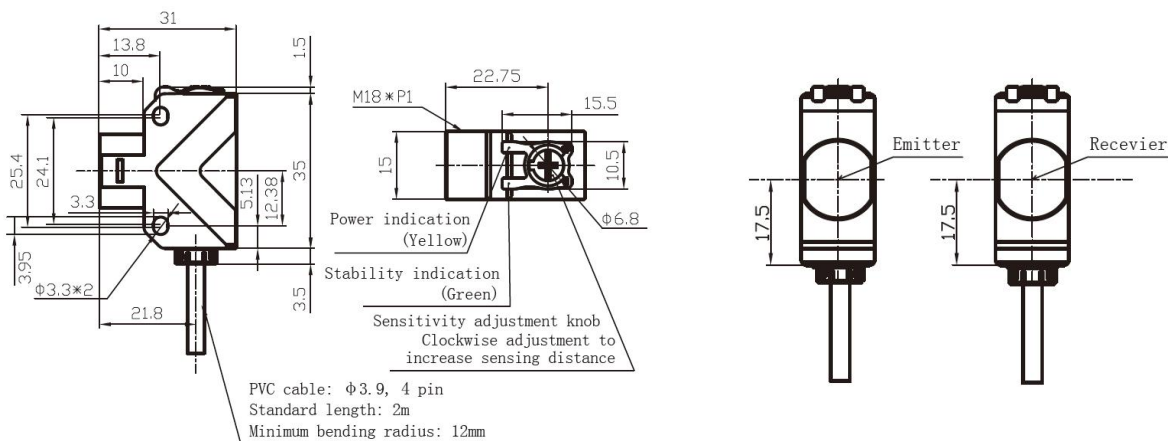
- ◆ 18mm threaded cylindrical installation or side installation, it is an ideal substitute for various styles of sensors;
- ◆ Large angle, long distance, easy to install and debug;
- ◆ With 360° visible bright LED status indicator;


Part number

	Emitter	Receiver		Emitter	Receiver
NPN	PSR-TM20D	PSR-TM20DNB	PNP	PSR-TM20D	PSR-TM20DPB

Technical specifications

Detection type	Through beam	Anti-ambient light	Anti-ambient light interference < 10,000lx;
Rated distance [Sn]	0...20m		Incandescent light interference < 3,000lx
Standard target	> Φ15mm opaque object	Indicator display	Green light: power indicator
Light source	Infrared LED (850nm)		Yellow light: output indication, short circuit or overload indication (flashing)
Direction angle	> 4°	Ambient temperature	-15°C...60°C
Output	NO/NC	Ambient humidity	35-95%RH (non-condensing)
Supply voltage	10...30VDC	Voltage withstand	1000V/AC 50/60Hz 60s
Load current	≤100mA	Insulation resistance	≥50MΩ (500VDC)
Residual voltage	≤1V (Receiver)	Vibration resistance	10...50Hz (0.5mm)
Distance adjustment	Single-turn potentiometer	Degree of protection	IP67
Consumption current	≤15mA (Emitter), ≤18mA (Receiver)	Housing material	ABS
Circuit protection	Short-circuit, overload, reverse polarity and zener protection	Installation method	Composite installation
Response time	≤1ms	Optical components	Plastic PMMA
NO/NC adjustment	NO: white line is connected to the positive electrode;	Weight	52g
	NC: white line is connected to the negative electrode;	Connection type	2m PVC cable

Dimensions


По вопросам продаж и поддержки обращайтесь:

Алматы (727)345-47-04
Ангарск (3955)60-70-56
Архангельск (8182)63-90-72
Астрахань (8512)99-46-04
Барнаул (3852)73-04-60
Белгород (4722)40-23-64
Благовещенск (4162)22-76-07
Брянск (4832)59-03-52
Владивосток (423)249-28-31
Владикавказ (8672)28-90-48
Владимир (4922)49-43-18
Волгоград (844)278-03-48
Вологда (8172)26-41-59
Воронеж (473)204-51-73
Екатеринбург (343)384-55-89

Иваново (4932)77-34-06
Ижевск (3412)26-03-58
Иркутск (395)279-98-46
Казань (843)206-01-48
Калининград (4012)72-03-81
Калуга (4842)92-23-67
Кемерово (3842)65-04-62
Киров (8332)68-02-04
Коломна (4966)23-41-49
Кострома (4942)77-07-48
Краснодар (861)203-40-90
Красноярск (391)204-63-61
Курск (4712)77-13-04
Курган (3522)50-90-47
Липецк (4742)52-20-81

Магнитогорск (3519)55-03-13
Москва (495)268-04-70
Мурманск (8152)59-64-93
Набережные Челны (8552)20-53-41
Новокузнецк (3843)20-46-81
Ноябрьск (3496)41-32-12
Новосибирск (383)227-86-73
Омск (3812)21-46-40
Орел (4862)44-53-42
Оренбург (3532)37-68-04
Пенза (8412)22-31-16
Петрозаводск (8142)55-98-37
Псков (8112)59-10-37
Пермь (342)205-81-47

Ростов-на-Дону (863)308-18-15
Рязань (4912)46-61-64
Самара (846)206-03-16
Санкт-Петербург (812)309-46-40
Саратов (845)249-38-78
Севастополь (8692)22-31-93
Саранск (8342)22-96-24
Симферополь (3652)67-13-56
Смоленск (4812)29-41-54
Сочи (862)225-72-31
Ставрополь (8652)20-65-13
Сургут (3462)77-98-35
Сыктывкар (8212)25-95-17
Тамбов (4752)50-40-97
Тверь (4822)63-31-35

Тольятти (8482)63-91-07
Томск (3822)98-41-53
Тула (4872)33-79-87
Тюмень (3452)66-21-18
Ульяновск (8422)24-23-59
Улан-Удэ (3012)59-97-51
Уфа (347)229-48-12
Хабаровск (4212)92-98-04
Чебоксары (8352)28-53-07
Челябинск (351)202-03-61
Череповец (8202)49-02-64
Чита (3022)38-34-83
Якутск (4112)23-90-97
Ярославль (4852)69-52-93

Россия +7(495)268-04-70

Казахстан +(727)345-47-04

Беларусь +(375)257-127-884

Узбекистан +998(71)205-18-59

Киргизия +996(312)96-26-47

эл.почта: ahj@nt-rt.ru || сайт: <https://lanbao.nt-rt.ru/>