

Фотоэлектрические датчики РТЛ

Технические характеристики

По вопросам продаж и поддержки обращайтесь:

Алматы (727)345-47-04
Ангарск (3955)60-70-56
Архангельск (8182)63-90-72
Астрахань (8512)99-46-04
Барнаул (3852)73-04-60
Белгород (4722)40-23-64
Благовещенск (4162)22-76-07
Брянск (4832)59-03-52
Владивосток (423)249-28-31
Владикавказ (8672)28-90-48
Владимир (4922)49-43-18
Волгоград (844)278-03-48
Вологда (8172)26-41-59
Воронеж (473)204-51-73
Екатеринбург (343)384-55-89

Иваново (4932)77-34-06
Ижевск (3412)26-03-58
Иркутск (395)279-98-46
Казань (843)206-01-48
Калининград (4012)72-03-81
Калуга (4842)92-23-67
Кемерово (3842)65-04-62
Киров (8332)68-02-04
Коломна (4966)23-41-49
Кострома (4942)77-07-48
Краснодар (861)203-40-90
Красноярск (391)204-63-61
Курск (4712)77-13-04
Курган (3522)50-90-47
Липецк (4742)52-20-81

Магнитогорск (3519)55-03-13
Москва (495)268-04-70
Мурманск (8152)59-64-93
Набережные Челны (8552)20-53-41
Нижний Новгород (831)429-08-12
Новокузнецк (3843)20-46-81
Ноябрьск (3496)41-32-12
Новосибирск (383)227-86-73
Омск (3812)21-46-40
Орел (4862)44-53-42
Оренбург (3532)37-68-04
Пенза (8412)22-31-16
Петрозаводск (8142)55-98-37
Псков (8112)59-10-37
Пермь (342)205-81-47

Ростов-на-Дону (863)308-18-15
Рязань (4912)46-61-64
Самара (846)206-03-16
Санкт-Петербург (812)309-46-40
Саратов (845)249-38-78
Севастополь (8692)22-31-93
Саранск (8342)22-96-24
Симферополь (3652)67-13-56
Смоленск (4812)29-41-54
Сочи (862)225-72-31
Ставрополь (8652)20-65-13
Сургут (3462)77-98-35
Сыктывкар (8212)25-95-17
Тамбов (4752)50-40-97
Тверь (4822)63-31-35

Тольятти (8482)63-91-07
Томск (3822)98-41-53
Тула (4872)33-79-87
Тюмень (3452)66-21-18
Ульяновск (8422)24-23-59
Улан-Удэ (3012)59-97-51
Уфа (347)229-48-12
Хабаровск (4212)92-98-04
Чебоксары (8352)28-53-07
Челябинск (351)202-03-61
Череповец (8202)49-02-64
Чита (3022)38-34-83
Якутск (4112)23-90-97
Ярославль (4852)69-52-93

Россия +7(495)268-04-70

Казахстан +(727)345-47-04

Беларусь +(375)257-127-884

Узбекистан +998(71)205-18-59

Киргизия +996(312)96-26-47

эл.почта: ahj@nt-rt.ru || сайт: <https://lanbao.nt-rt.ru/>

Plastic square shape photoelectric sensors **PTL** series



Features

- ◆ Through beam reflection working principle;
- ◆ Excellent anti-interference performance
- ◆ High detection accuracy



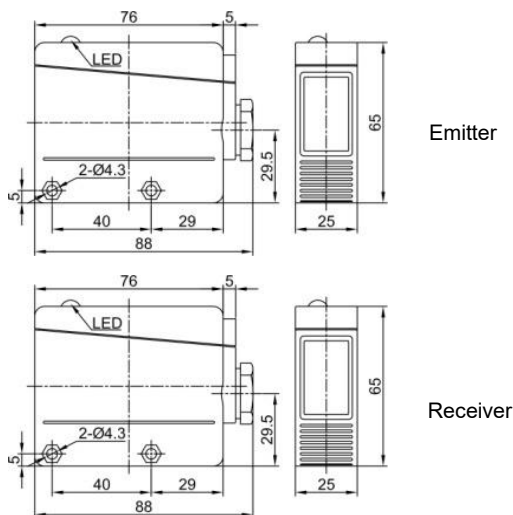
Part number

		Emitter	Receiver			Emitter	Receiver
NPN	NO+NC	PTL-TM40D-D	PTL-TM40DNRT3-D	PNP	NO+NC	PTL-TM40D-D	PTL-TM40DPRT3-D

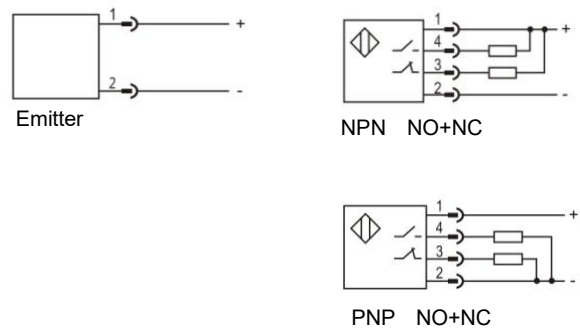
Technical specifications

Detection type	Through beam	Consumption current	≤25mA
Rated distance [Sn]	40m (non-adjustable)	Circuit protection	Short-circuit and reverse polarity
Standard target	> φ15mm opaque object	Response time	<8.2ms
Light source	Infrared LED (880nm)	Output indicator	Emitter: Green LED Receiver: Yellow LED
Dimensions	88 mm *65 mm *25 mm	Ambient temperature	-15°C...+55°C
Output	NO+NC	Ambient humidity	35-85%RH (non-condensing)
Supply voltage	10...30 VDC	Voltage withstand	1000V/AC 50/60Hz 60s
Min target	Insulation resistance	≥50MΩ(500VDC)
Hysteresis range [%/Sr]	Vibration resistance	10...50Hz (0.5mm)
Repeat accuracy [R]	≤5%	Degree of protection	IP67
Load current	≤200mA (receiver)	Housing material	PC/ABS
Residual voltage	≤2.5V (receiver)	Connection type	Terminal
Delay time	0.1...5s(P2 Potentiometer)		

Dimensions



Wiring diagram



Plastic square shape photoelectric sensors **PTL** series


Features

- ◆ Through beam reflection working principle;
- ◆ Excellent anti-interference performance
- ◆ High detection accuracy



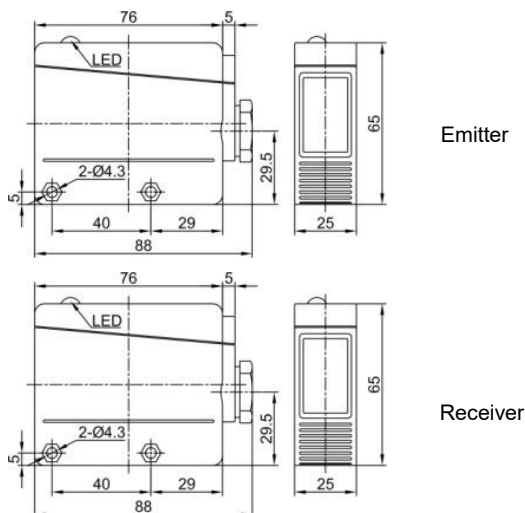
Part number

		Emitter		Receiver	
NPN	NO+NC	PTL-TM20D-D	PTL-TM20DNRT3-D	PNP	NO+NC

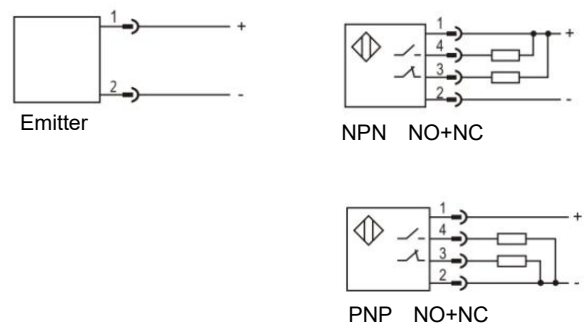
Technical specifications

Detection type	Through beam	Consumption current	≤25mA
Rated distance [Sn]	20m (non-adjustable)	Circuit protection	Short-circuit and reverse polarity
Standard target	> φ15mm opaque object	Response time	<8.2ms
Light source	Infrared LED (880nm)	Output indicator	Emitter: Green LED Receiver: Yellow LED
Dimensions	88 mm *65 mm *25 mm	Ambient temperature	-15°C...+55°C
Output	NO+NC	Ambient humidity	35-85%RH (non-condensing)
Supply voltage	10...30 VDC	Voltage withstand	1000V/AC 50/60Hz 60s
Min target	Insulation resistance	≥50MΩ(500VDC)
Hysteresis range [%/Sr]	Vibration resistance	10...50Hz (0.5mm)
Repeat accuracy [R]	≤5%	Degree of protection	IP67
Load current	≤200mA (receiver)	Housing material	PC/ABS
Residual voltage	≤2.5V (receiver)	Connection type	Terminal
Delay time	0.1...5s(P2 Potentiometer)		

Dimensions



Wiring diagram



Plastic square shape photoelectric sensors **PTL** series


Features

- ◆ Polarized reflection working principle;
- ◆ Suitable for detecting transparent or high reflective target;
- ◆ High detection accuracy



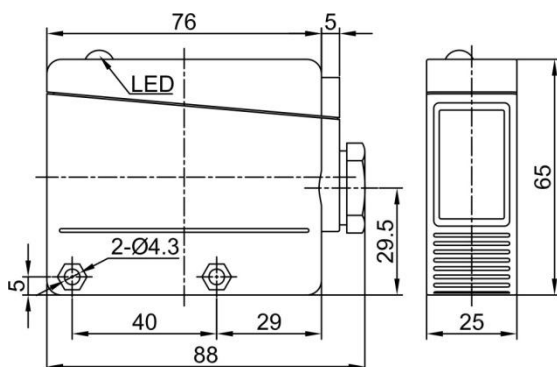
Part number

NPN NO+NC	PTL-PM12DNR-D	PNP NO+NC	PTL-PM12DPR-D
-----------	---------------	-----------	---------------

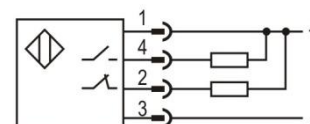
Technical specifications

Detection type	Polarized reflection	Consumption current	≤25mA
Rated distance [Sn]	12m (non-adjustable)	Circuit protection	Short-circuit, overload and reverse polarity
Standard target	TD-05 reflector	Response time	<8.2ms
Light source	Red LED (650nm)	Output indicator	Yellow LED
Dimensions	88mm*65mm*25mm	Ambient temperature	-15°C...+55°C
Output	NPNNO+NC PNP NO+NC	Ambient humidity	35-85%RH (non-condensing)
Supply voltage	10...30 VDC	Voltage withstand	1000V/AC 50/60Hz 60s
Target	Transparent, semi-transparent, Opaque object	Insulation resistance	≥50MΩ(500VDC)
Repeat accuracy [R]	≤5%	Vibration resistance	10...50Hz (0.5mm)
Load current	≤200mA	Degree of protection	IP67
Residual voltage	≤2.5V	Housing material	PC/ABS
		Connection type	Terminal

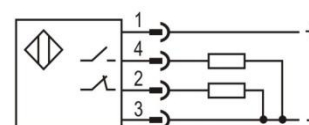
Dimensions



Wiring diagram



NPN NO+NC



PNP NO+NC

Plastic square shape photoelectric sensors **PTL** series


Features

- ◆ Retro reflection working principle;
- ◆ Excellent anti-interference performance
- ◆ High detection accuracy



Part number

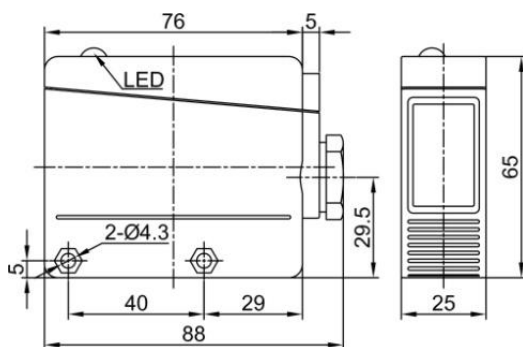
NPN NO+NC PTL-DM5DNRT3-D

PNP NO+NC PTL-DM5DPRT3-D

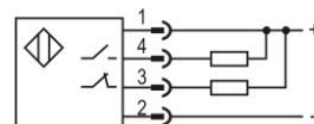
Technical specifications

Detection type	Retro reflection	Consumption current	≤25mA
Rated distance [Sn]	5m (non-adjustable)	Circuit protection	Short-circuit, overload and reverse polarity
Standard target	TD-05 reflector	Response time	<8.2ms
Light source	Infrared LED (880nm)	Output indicator	Yellow LED
Dimensions	88mm *65 mm *25mm	Ambient temperature	-15°C...+55°C
Output	NO+NC	Ambient humidity	35-85%RH (non-condensing)
Supply voltage	10...30 VDC	Voltage withstand	1000V/AC 50/60Hz 60s
Target	Opaque object	Insulation resistance	≥50MΩ(500VDC)
Hysteresis range [%/Sr]	Vibration resistance	10...50Hz (0.5mm)
Repeat accuracy [R]	≤5%	Degree of protection	IP67
Load current	≤200mA	Housing material	PC/ABS
Residual voltage	≤2.5V	Connection type	Terminal
Delay time	0.1...5s(P2 Potentiometer)		

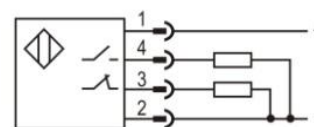
Dimensions



Wiring diagram



NPN NO+NC



PNP NO+NC

Plastic square shape photoelectric sensors **PTL** series

Features

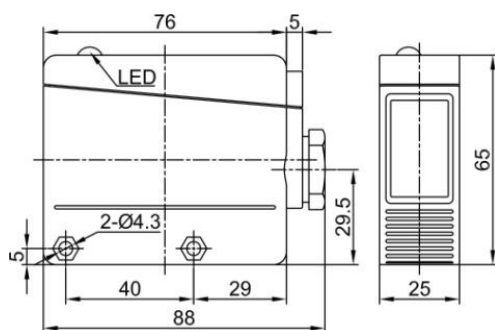
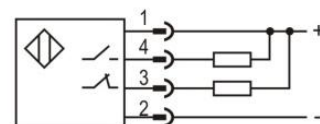
- ◆ Diffuse reflection working principle;
- ◆ Excellent anti-interference performance
- ◆ High detection accuracy


Part number

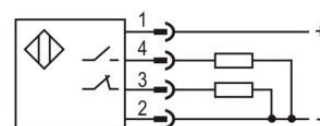
NPN NO+NC	PTL-BC80DNRT3-D	PTL-BC200DNRT3-D	PNP NO+NC	PTL-BC80DPRT3-D	PTL-BC200DPRT3-D
-----------	-----------------	------------------	-----------	-----------------	------------------

Technical specifications

Detection type	Diffuse reflection	Consumption current	≤25mA
Rated distance [Sn]	80cm(adjustable)200cm (adjustable)	Circuit protection	Short-circuit, overload and reverse polarity
Standard target	White card reflection rate 90%	Response time	<8.2ms
Light source	Infrared LED (880nm)	Output indicator	Power: Green LED Output: Yellow LED
Dimensions	88 mm *65 mm *25mm	Ambient temperature	-15°C...+55°C
Output	Depends on part No.	Ambient humidity	35-85%RH (non-condensing)
Supply voltage	10...30 VDC	Voltage withstand	1000V/AC 50/60Hz 60s
Target	Opaque object	Insulation resistance	≥50MΩ(500VDC)
Hysteresis range [%/Sr]	5...20%	Vibration resistance	10...50Hz (0.5mm)
Repeat accuracy [R]	≤5%	Degree of protection	IP67
Load current	≤200mA	Housing material	PC/ABS
Residual voltage	≤2.5V	Connection type	Terminal
Delay time	0.1...5s(P2 Potentiometer)		

Dimensions

Wiring diagram


NPN NO+NC



PNP NO+NC

Plastic square shape photoelectric sensors **PTL** series



Features

- ◆ Through beam reflection working principle;
- ◆ Excellent anti-interference performance
- ◆ High detection accuracy



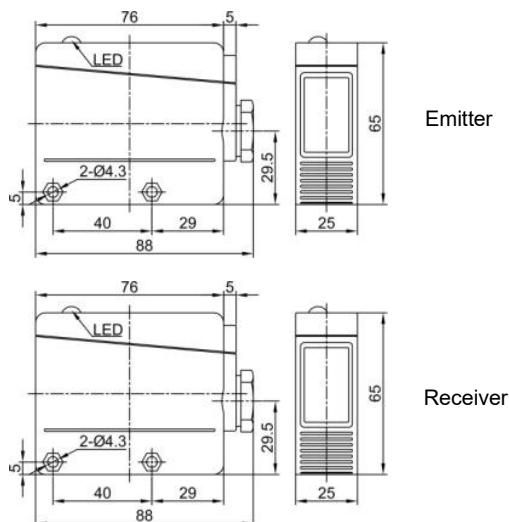
Part number

	Emitter	Receiver
Relay output	PTL-TM30S-D	PTL-TM30SKT3-D

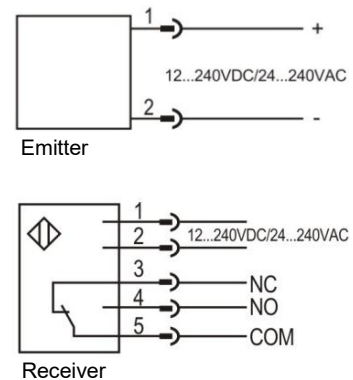
Technical specifications

Detection type	Through beam	Consumption current	≤35mA
Rated distance [Sn]	30m (Receiver adjustable)	Circuit protection
Standard target	> φ15mm opaque object	Response time	<30ms
Light source	Infrared LED (880nm)	Output indicator	Emitter: Green LED Receiver: Yellow LED
Dimensions	88 mm *65 mm *25 mm	Ambient temperature	-15°C...+55°C
Output	Relay output	Ambient humidity	35-85%RH (non-condensing)
Supply voltage	24...240 VAC/12...240VDC	Voltage withstand	2000V/AC 50/60Hz 60s
Min target	Insulation resistance	≥50MΩ(500VDC)
Hysteresis range [%/Sr]	Vibration resistance	10...50Hz (0.5mm)
Repeat accuracy [R]	≤5%	Degree of protection	IP67
Load current	≤3A (receiver)	Housing material	PC/ABS
Residual voltage	Connection type	Terminal
Delay time	0.1...5s(P2 Potentiometer)		

Dimensions



Wiring diagram



Plastic square shape photoelectric sensors **PTL** series


Features

- ◆ Through beam reflection working principle;
- ◆ Excellent anti-interference performance
- ◆ High detection accuracy



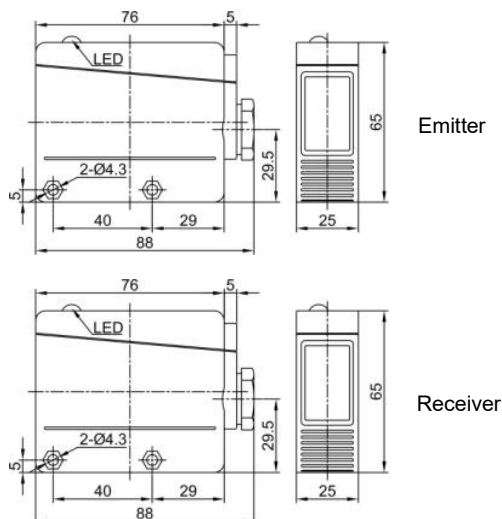
Part number

	Emitter	Receiver
Relay output	PTL-TM20S-D	PTL-TM20SKT3-D

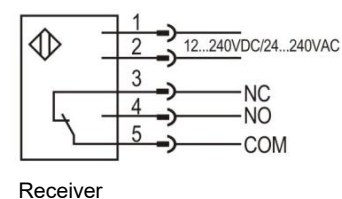
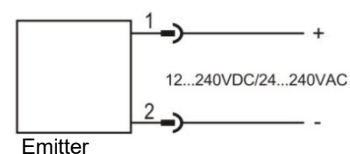
Technical specifications

Detection type	Through beam	Consumption current	≤35mA
Rated distance [Sn]	20m (Receiver adjustable)	Circuit protection
Standard target	> φ15mm opaque object	Response time	<30ms
Light source	Infrared LED (880nm)	Output indicator	Emitter: Green LED Receiver: Yellow LED
Dimensions	88 mm *65 mm *25 mm	Ambient temperature	-15°C...+55°C
Output	Relay output	Ambient humidity	35-85%RH (non-condensing)
Supply voltage	24...240 VAC/12...240VDC	Voltage withstand	2000V/AC 50/60Hz 60s
Min target	Insulation resistance	≥50MΩ(500VDC)
Hysteresis range [%/Sr]	Vibration resistance	10...50Hz (0.5mm)
Repeat accuracy [R]	≤5%	Degree of protection	IP67
Load current	≤3A (receiver)	Housing material	PC/ABS
Residual voltage	Connection type	Terminal
Delay time	0.1...5s(P2 Potentiometer)		

Dimensions



Wiring diagram



Plastic square shape photoelectric sensors **PTL** series


Features

- ◆ Polarized reflection working principle;
- ◆ Suitable for detecting transparent or high reflective target;
- ◆ High detection accuracy



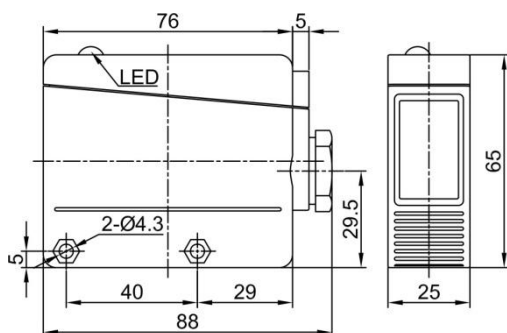
Part number

Relay output PTL-PM12SK-D

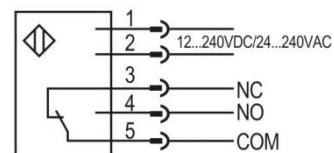
Technical specifications

Detection type	Polarized reflection	Consumption current	≤35mA
Rated distance [Sn]	12m (non-adjustable)	Circuit protection
Standard target	TD-05 reflector	Response time	<30ms
Light source	Red LED (660nm)	Output indicator	Yellow LED
Dimensions	88mm *65mm *25mm	Ambient temperature	-15°C...+55°C
Output	Relay output	Ambient humidity	35-85%RH (non-condensing)
Supply voltage	24...240 VAC/12...240VDC	Voltage withstand	2000V/AC 50/60Hz 60s
Target	Transparent, semi-transparent, Opaque object	Insulation resistance	≥50MΩ(500VDC)
Repeat accuracy [R]	≤5%	Vibration resistance	10...50Hz (0.5mm)
Load current	≤3A	Degree of protection	IP67
Residual voltage	Housing material	PC/ABS
		Connection type	Terminal

Dimensions



Wiring diagram



Relay output

Plastic square shape photoelectric sensors **PTL** series



Features

- ◆ Retro reflection working principle;
- ◆ Excellent anti-interference performance
- ◆ High detection accuracy



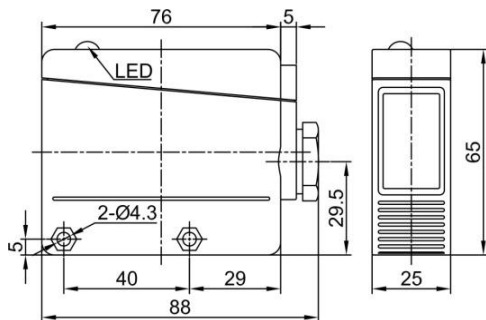
Part number

Relay output PTL-DM5SKT3-D

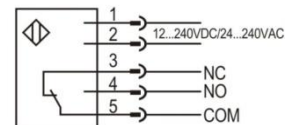
Technical specifications

Detection type	Retro reflection	Consumption current	≤35mA
Rated distance [Sn]	5m (non-adjustable)	Circuit protection
Standard target	TD-05 reflector	Response time	<30ms
Light source	Infrared LED (880nm)	Output indicator	Yellow LED
Dimensions	88mm *65 mm *25mm	Ambient temperature	-15℃...+55℃
Output	Relay output	Ambient humidity	35-85%RH (non-condensing)
Supply voltage	24...240VAC/12...240VDC	Voltage withstand	2000V/AC 50/60Hz 60s
Target	Opaque object	Insulation resistance	≥50MΩ(500VDC)
Hysteresis range [%/Sr].....		Vibration resistance	10...50Hz (0.5mm)
Repeat accuracy [R]	≤5%	Degree of protection	IP67
Load current	≤3A	Housing material	PC/ABS
Residual voltage	Connection type	Terminal
Delay time	0.1...5s(P2 Potentiometer)		

Dimensions



Wiring diagram



Relay output

Plastic square shape photoelectric sensors **PTL** series



Features

- ◆ Diffuse reflection working principle;
- ◆ Excellent anti-interference performance
- ◆ High detection accuracy



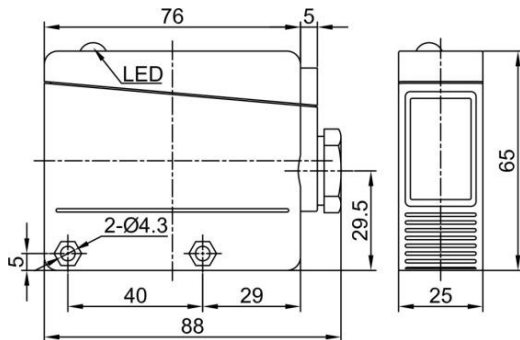
Part number

Relay output PTL-BC80SKT3-D PTL-BC200SKT3-D

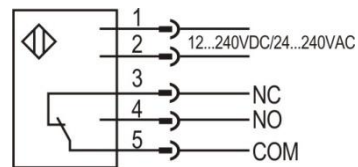
Technical specifications

Detection type	Diffuse reflection	Consumption current	≤35mA
Rated distance [Sn]	80cm(adjustable)200cm (adjustable)	Circuit protection
Standard target	White card reflection rate 90%	Response time	<30ms
Light source	Infrared LED (880nm)	Output indicator	Power: Green LED Output: Yellow LED
Dimensions	88 mm *65 mm *25mm	Ambient temperature	-15℃...+55℃
Output	Relay output.	Ambient humidity	35-85%RH (non-condensing)
Supply voltage	24...240VAC/12...240VDC	Voltage withstand	2000V/AC 50/60Hz 60s
Target	Opaque object	Insulation resistance	≥50MΩ(500VDC)
Hysteresis range [%/Sr]	3...20%	Vibration resistance	10...50Hz (0.5mm)
Repeat accuracy [R]	≤5%	Degree of protection	IP67
Load current	≤3A	Housing material	PC/ABS
Residual voltage	Connection type	Terminal
Delay time	0.1...5s(P2 Potentiometer)		

Dimensions



Wiring diagram



Relay output

По вопросам продаж и поддержки обращайтесь:

Алматы (727)345-47-04
Ангарск (3955)60-70-56
Архангельск (8182)63-90-72
Астрахань (8512)99-46-04
Барнаул (3852)73-04-60
Белгород (4722)40-23-64
Благовещенск (4162)22-76-07
Брянск (4832)59-03-52
Владивосток (423)249-28-31
Владикавказ (8672)28-90-48
Владимир (4922)49-43-18
Волгоград (844)278-03-48
Вологда (8172)26-41-59
Воронеж (473)204-51-73
Екатеринбург (343)384-55-89

Иваново (4932)77-34-06
Ижевск (3412)26-03-58
Иркутск (395)279-98-46
Казань (843)206-01-48
Калининград (4012)72-03-81
Калуга (4842)92-23-67
Кемерово (3842)65-04-62
Киров (8332)68-02-04
Коломна (4966)23-41-49
Кострома (4942)77-07-48
Краснодар (861)203-40-90
Красноярск (391)204-63-61
Курск (4712)77-13-04
Курган (3522)50-90-47
Липецк (4742)52-20-81

Магнитогорск (3519)55-03-13
Москва (495)268-04-70
Мурманск (8152)59-64-93
Набережные Челны (8552)20-53-41
Новокузнецк (3843)20-46-81
Ноябрьск (3496)41-32-12
Новосибирск (383)227-86-73
Омск (3812)21-46-40
Орел (4862)44-53-42
Оренбург (3532)37-68-04
Пенза (8412)22-31-16
Петрозаводск (8142)55-98-37
Псков (8112)59-10-37
Пермь (342)205-81-47

Ростов-на-Дону (863)308-18-15
Рязань (4912)46-61-64
Самара (846)206-03-16
Санкт-Петербург (812)309-46-40
Саратов (845)249-38-78
Севастополь (8692)22-31-93
Саранск (8342)22-96-24
Симферополь (3652)67-13-56
Смоленск (4812)29-41-54
Сочи (862)225-72-31
Ставрополь (8652)20-65-13
Сургут (3462)77-98-35
Сыктывкар (8212)25-95-17
Тамбов (4752)50-40-97
Тверь (4822)63-31-35

Тольятти (8482)63-91-07
Томск (3822)98-41-53
Тула (4872)33-79-87
Тюмень (3452)66-21-18
Ульяновск (8422)24-23-59
Улан-Удэ (3012)59-97-51
Уфа (347)229-48-12
Хабаровск (4212)92-98-04
Чебоксары (8352)28-53-07
Челябинск (351)202-03-61
Череповец (8202)49-02-64
Чита (3022)38-34-83
Якутск (4112)23-90-97
Ярославль (4852)69-52-93

Россия +7(495)268-04-70

Казахстан +(727)345-47-04

Беларусь +(375)257-127-884

Узбекистан +998(71)205-18-59

Киргизия +996(312)96-26-47

эл.почта: ahj@nt-rt.ru || сайт: <https://lanbao.nt-rt.ru/>