

Цилиндрические фотоэлектрические датчики PR18

Технические характеристики

По вопросам продаж и поддержки обращайтесь:

Алматы (727)345-47-04
Ангарск (3955)60-70-56
Архангельск (8182)63-90-72
Астрахань (8512)99-46-04
Барнаул (3852)73-04-60
Белгород (4722)40-23-64
Благовещенск (4162)22-76-07
Брянск (4832)59-03-52
Владивосток (423)249-28-31
Владикавказ (8672)28-90-48
Владимир (4922)49-43-18
Волгоград (844)278-03-48
Вологда (8172)26-41-59
Воронеж (473)204-51-73
Екатеринбург (343)384-55-89

Иваново (4932)77-34-06
Ижевск (3412)26-03-58
Иркутск (395)279-98-46
Казань (843)206-01-48
Калининград (4012)72-03-81
Калуга (4842)92-23-67
Кемерово (3842)65-04-62
Киров (8332)68-02-04
Коломна (4966)23-41-49
Кострома (4942)77-07-48
Краснодар (861)203-40-90
Красноярск (391)204-63-61
Курск (4712)77-13-04
Курган (3522)50-90-47
Липецк (4742)52-20-81

Магнитогорск (3519)55-03-13
Москва (495)268-04-70
Мурманск (8152)59-64-93
Набережные Челны (8552)20-53-41
Нижний Новгород (831)429-08-12
Новокузнецк (3843)20-46-81
Ноябрьск (3496)41-32-12
Новосибирск (383)227-86-73
Омск (3812)21-46-40
Орел (4862)44-53-42
Оренбург (3532)37-68-04
Пенза (8412)22-31-16
Петрозаводск (8142)55-98-37
Псков (8112)59-10-37
Пермь (342)205-81-47

Ростов-на-Дону (863)308-18-15
Рязань (4912)46-61-64
Самара (846)206-03-16
Санкт-Петербург (812)309-46-40
Саратов (845)249-38-78
Севастополь (8692)22-31-93
Саранск (8342)22-96-24
Симферополь (3652)67-13-56
Смоленск (4812)29-41-54
Сочи (862)225-72-31
Ставрополь (8652)20-65-13
Сургут (3462)77-98-35
Сыктывкар (8212)25-95-17
Тамбов (4752)50-40-97
Тверь (4822)63-31-35

Тольятти (8482)63-91-07
Томск (3822)98-41-53
Тула (4872)33-79-87
Тюмень (3452)66-21-18
Ульяновск (8422)24-23-59
Улан-Удэ (3012)59-97-51
Уфа (347)229-48-12
Хабаровск (4212)92-98-04
Чебоксары (8352)28-53-07
Челябинск (351)202-03-61
Череповец (8202)49-02-64
Чита (3022)38-34-83
Якутск (4112)23-90-97
Ярославль (4852)69-52-93

Россия +7(495)268-04-70

Казахстан +(727)345-47-04

Беларусь +(375)257-127-884

Узбекистан +998(71)205-18-59

Киргизия +996(312)96-26-47

эл.почта: ahj@nt-rt.ru || сайт: <https://lanbao.nt-rt.ru/>

Metal cylindrical shape photoelectric sensors **PR18** series



Features

- ◆ Through beam reflection working principle;
- ◆ Excellent anti-interference performance
- ◆ High detection accuracy



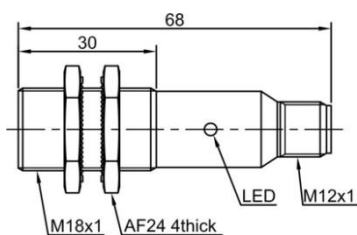
Part number

NPN NO	PR18-DM3DNO-E2	PNP NO	PR18-DM3DPO-E2
NPN NC	PR18-DM3DNC-E2	PNP NC	PR18-DM3DPC-E2
NPN NO+NC	PR18-DM3DNR-E2	PNP NO+NC	PR18-DM3DPR-E2

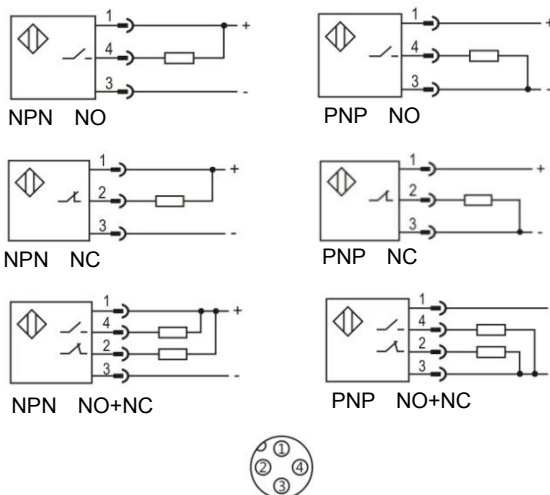
Technical specifications

Detection type	Retro reflection	Consumption current	≤25mA
Rated distance [Sn]	3m (non-adjustable)	Circuit protection	Short-circuit, overload and reverse polarity
Standard target	TD-09 reflector	Response time	< 8.2ms
Light source	Infrared LED (880nm)	Output indicator	Yellow LED
Dimensions	M18*68mm	Ambient temperature	-15°C...+55°C
Output	NO/NC (depends on part No.)	Ambient humidity	35-85%RH (non-condensing)
Supply voltage	10...30 VDC	Voltage withstand	1000V/AC 50/60Hz 60s
Target	Opaque object	Insulation resistance	≥50MΩ(500VDC)
Hysteresis range [%/Sr]	Vibration resistance	10...50Hz (0.5mm)
Repeat accuracy [R]	≤5%	Degree of protection	IP67
Load current	≤200mA	Housing material	Nickel-copper alloy
Residual voltage	≤2.5V	Connection type	M12 Connector

Dimensions



Wiring diagram



Plastic cylindrical shape photoelectric sensors **PR18GS** series



Features

- ◆ Through beam reflection working principle;
- ◆ Excellent anti-interference performance;
- ◆ High detection accuracy.



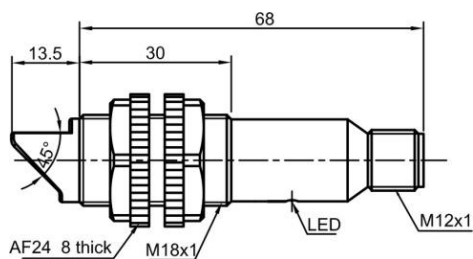
Part number

NPN NO	PR18GS-DM3DNO-E2	PNP NO	PR18GS-DM3DPO-E2
NPN NC	PR18GS-DM3DNC-E2	PNP NC	PR18GS-DM3DPC-E2
NPN NO+NC	PR18GS-DM3DNR-E2	PNP NO+NC	PR18GS-DM3DPR-E2

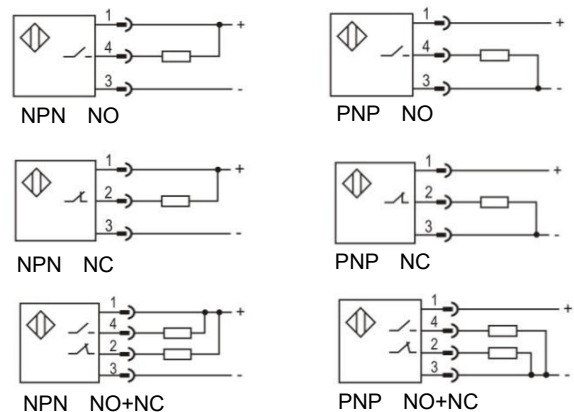
Technical specifications

Detection type	Retro reflection	Consumption current	≤25mA
Rated distance [Sn]	3m (non-adjustable)	Circuit protection	Short-circuit, overload and reverse polarity
Standard target	TD-09 reflector	Response time	<8.2ms
Light source	Infrared LED (880nm)	Output indicator	Yellow LED
Dimensions	M18*81.5mm	Ambient temperature	-15°C...+55°C
Output	NO/NC (depends on part No.)	Ambient humidity	35-85%RH (non-condensing)
Supply voltage	10...30 VDC	Voltage withstand	1000V/AC 50/60Hz 60s
Target	Opaque object	Insulation resistance	≥50MΩ (500VDC)
Hysteresis range [%/Sr]		Vibration resistance	10...50Hz (0.5mm)
Repeat accuracy [R]	≤5%	Degree of protection	IP65
Load current	≤200mA	Housing material	PBT
Residual voltage	≤2.5V	Connection type	M12 Connector

Dimensions



Wiring diagram



Plastic cylindrical shape photoelectric sensors **PR18GS** series



Features

- ◆ Through beam reflection working principle;
- ◆ Excellent anti-interference performance;
- ◆ High detection accuracy.



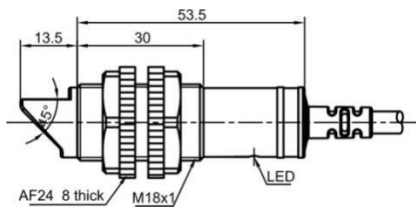
Part number

NPN NO	PR18GS-DM3DNO	PNP NO	PR18GS-DM3DPO
NPN NC	PR18GS-DM3DNC	PNP NC	PR18GS-DM3DPC
NPN NO+NC	PR18GS-DM3DNR	PNP NO+NC	PR18GS-DM3DPR

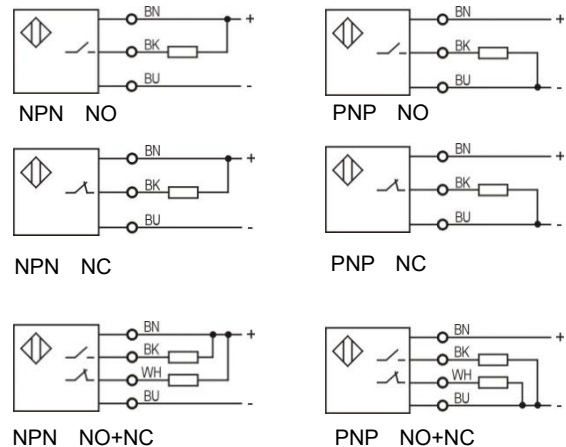
Technical specifications

Detection type	Retro reflection	Consumption current	≤25mA
Rated distance [Sn]	3m (non-adjustable)	Circuit protection	Short-circuit, overload and reverse polarity
Standard target	TD-09 reflector	Response time	<8.2ms
Light source	Infrared LED (880nm)	Output indicator	Yellow LED
Dimensions	M18*67mm	Ambient temperature	-15°C...+55°C
Output	NO/NC (depends on part No.)	Ambient humidity	35-85%RH (non-condensing)
Supply voltage	10...30 VDC	Voltage withstand	1000V/AC 50/60Hz 60s
Target	Opaque object	Insulation resistance	≥50MΩ (500VDC)
Hysteresis range [%/Sr]		Vibration resistance	10...50Hz (0.5mm)
Repeat accuracy [R]	≤5%	Degree of protection	IP65
Load current	≤200mA	Housing material	PBT
Residual voltage	≤2.5V	Connection type	2m PVC cable

Dimensions



Wiring diagram



Plastic cylindrical shape photoelectric sensors **PR18S** series



Features

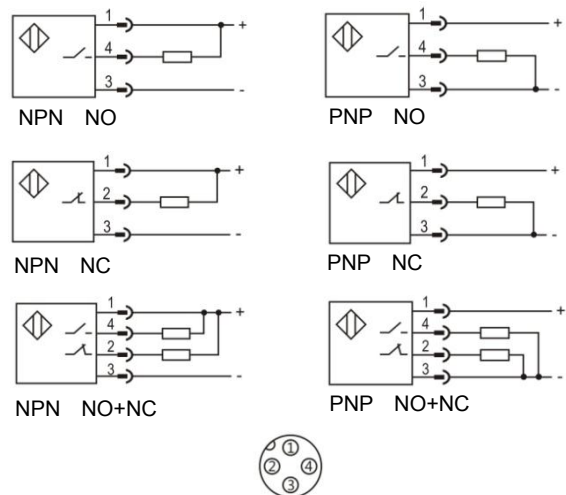
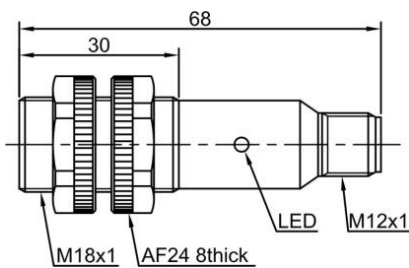
- ◆ Through beam reflection working principle;
- ◆ Excellent anti-interference performance
- ◆ High detection accuracy



Part number			
NPN NO	PR18S-DM3DNO-E2	PNP NO	PR18S-DM3DPO-E2
NPN NC	PR18S-DM3DNC-E2	PNP NC	PR18S-DM3DPC-E2
NPN NO+NC	PR18S-DM3DNR-E2	PNP NO+NC	PR18S-DM3DPR-E2

Technical specifications			
Detection type	Retro reflection	Consumption current	≤25mA
Rated distance [Sn]	3m (non-adjustable)	Circuit protection	Short-circuit, overload and reverse polarity
Standard target	TD-09 reflector	Response time	< 8.2ms
Light source	Infrared LED (880nm)	Output indicator	Yellow LED
Dimensions	M18*68mm	Ambient temperature	-15°C...+55°C
Output	NO/NC (depends on part No.)	Ambient humidity	35-85%RH (non-condensing)
Supply voltage	10...30 VDC	Voltage withstand	1000V/AC 50/60Hz 60s
Target	Opaque object	Insulation resistance	≥50MΩ(500VDC)
Hysteresis range [%/Sr]	Vibration resistance	10...50Hz (0.5mm)
Repeat accuracy [R]	≤5%	Degree of protection	IP67
Load current	≤200mA	Housing material	PBT
Residual voltage	≤2.5V	Connection type	M12 Connector

Dimensions Wiring diagram



Plastic cylindrical shape photoelectric sensors **PR18S** series



Features

- ◆ Through beam reflection working principle;
- ◆ Excellent anti-interference performance
- ◆ High detection accuracy



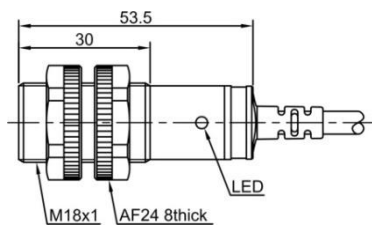
Part number

NPN NO	PR18S-DM3DNO	PNP NO	PR18S-DM3DPO
NPN NC	PR18S-DM3DNC	PNP NC	PR18S-DM3DPC
NPN NO+NC	PR18S-DM3DNR	PNP NO+NC	PR18S-DM3DPR

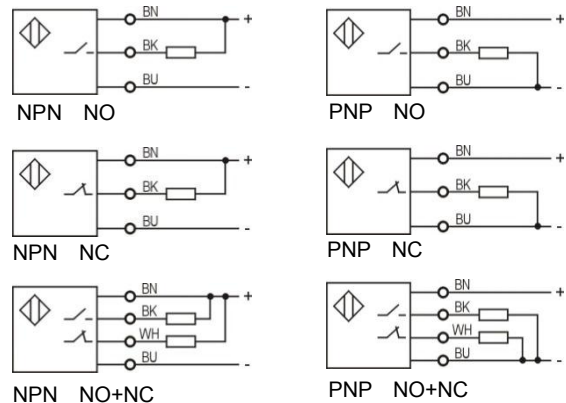
Technical specifications

Detection type	Retro reflection	Consumption current	≤25mA
Rated distance [Sn]	3m (non-adjustable)	Circuit protection	Short-circuit, overload and reverse polarity
Standard target	TD-09 reflector	Response time	< 8.2ms
Light source	Infrared LED (880nm)	Output indicator	Yellow LED
Dimensions	M18*53.5mm	Ambient temperature	-15°C...+55°C
Output	NO/NC (depends on part No.)	Ambient humidity	35-85%RH (non-condensing)
Supply voltage	10...30 VDC	Voltage withstand	1000V/AC 50/60Hz 60s
Target	Opaque object	Insulation resistance	≥50MΩ(500VDC)
Hysteresis range [%/Sr]		Vibration resistance	10...50Hz (0.5mm)
Repeat accuracy [R]	≤5%	Degree of protection	IP67
Load current	≤200mA	Housing material	PBT
Residual voltage	≤2.5V	Connection type	2m PVC cable

Dimensions



Wiring diagram



Metal cylindrical shape photoelectric sensors **PR18G** series



Features

- ◆ Through beam reflection working principle;
- ◆ Excellent anti-interference performance
- ◆ High detection accuracy



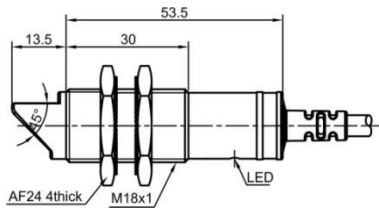
Part number

NPN NO	PR18G-DM3DNO	PNP NO	PR18G-DM3DPO
NPN NC	PR18G-DM3DNC	PNP NC	PR18G-DM3DPC
NPN NO+NC	PR18G-DM3DNR	PNP NO+NC	PR18G-DM3DPR

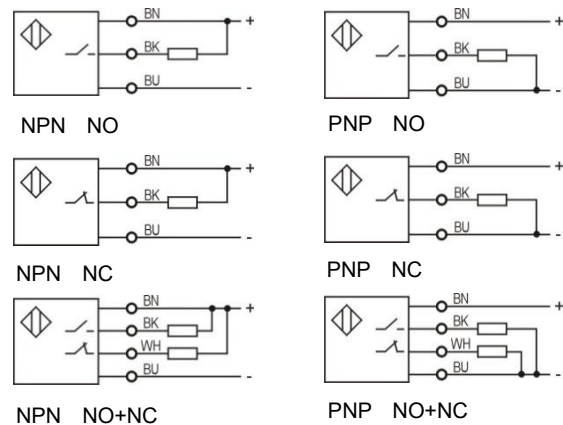
Technical specifications

Detection type	Retro reflection	Consumption current	≤25mA
Rated distance [Sn]	3m (non-adjustable)	Circuit protection	Short-circuit, overload and reverse polarity
Standard target	TD-09 reflector	Response time	< 8.2ms
Light source	Infrared LED (880nm)	Output indicator	Yellow LED
Dimensions	M18*67mm	Ambient temperature	-15°C...+55°C
Output	NO/NC (depends on part No.)	Ambient humidity	35-85%RH (non-condensing)
Supply voltage	10...30 VDC	Voltage withstand	1000V/AC 50/60Hz 60s
Target	Opaque object	Insulation resistance	≥50MΩ(500VDC)
Hysteresis range [%/Sr]	Vibration resistance	10...50Hz (0.5mm)
Repeat accuracy [R]	≤5%	Degree of protection	IP65
Load current	≤200mA	Housing material	Nickel-copper alloy
Residual voltage	≤2.5V	Connection type	2m PVC cable

Dimensions



Wiring diagram



Metal cylindrical shape photoelectric sensors **PR18** series



Features

- ◆ Through beam reflection working principle;
- ◆ Excellent anti-interference performance
- ◆ High detection accuracy



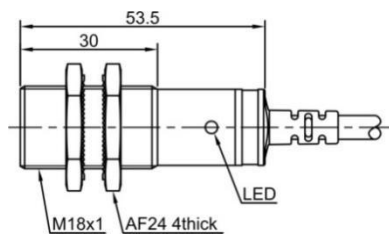
Part number

NPN NO	PR18-DM3DNO	PNP NO	PR18-DM3DPO
NPN NC	PR18-DM3DNC	PNP NC	PR18-DM3DPC
NPN NO+NC	PR18-DM3DNR	PNP NO+NC	PR18-DM3DPR

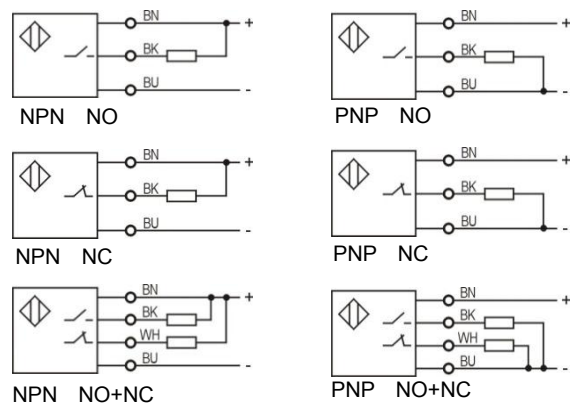
Technical specifications

Detection type	Retro reflection	Consumption current	≤25mA
Rated distance [Sn]	3m (non-adjustable)	Circuit protection	Short-circuit, overload and reverse polarity
Standard target	TD-09 reflector	Response time	< 8.2ms
Light source	Infrared LED (880nm)	Output indicator	Yellow LED
Dimensions	M18*53.5mm	Ambient temperature	-15°C...+55°C
Output	NO/NC (depends on part No.)	Ambient humidity	35-85%RH (non-condensing)
Supply voltage	10...30 VDC	Voltage withstand	1000V/AC 50/60Hz 60s
Target	Opaque object	Insulation resistance	≥50MΩ(500VDC)
Hysteresis range [%/Sr]		Vibration resistance	10...50Hz (0.5mm)
Repeat accuracy [R]	≤5%	Degree of protection	IP67
Load current	≤200mA	Housing material	Nickel-copper alloy
Residual voltage	≤2.5V	Connection type	2m PVC cable

Dimensions



Wiring diagram



Metal cylindrical shape photoelectric sensors **PR18G** series



Features

- ◆ Through beam reflection working principle;
- ◆ Excellent anti-interference performance
- ◆ High detection accuracy



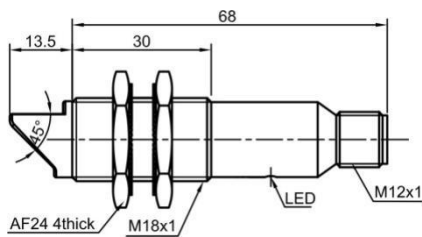
Part number

NPN NO	PR18G-DM3DNO-E2	PNP NO	PR18G-DM3DPO-E2
NPN NC	PR18G-DM3DNC-E2	PNP NC	PR18G-DM3DPC-E2
NPN NO+NC	PR18G-DM3DNR-E2	PNP NO+NC	PR18G-DM3DPR-E2

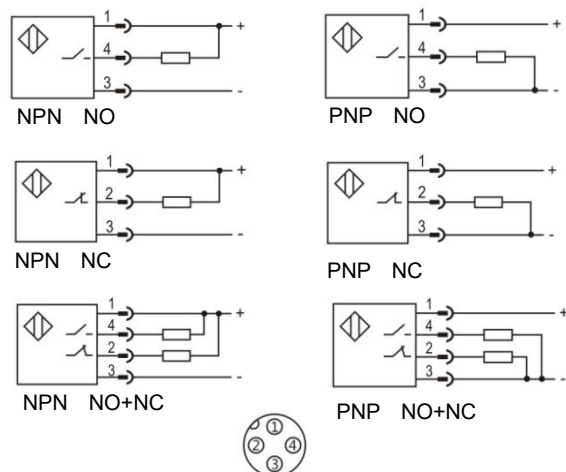
Technical specifications

Detection type	Retro reflection	Consumption current	≤25mA
Rated distance [Sn]	3m (non-adjustable)	Circuit protection	Short-circuit, overload and reverse polarity
Standard target	TD-09 reflector	Response time	< 8.2ms
Light source	Infrared LED (880nm)	Output indicator	Yellow LED
Dimensions	M18*81.5mm	Ambient temperature	-15°C...+55°C
Output	NO/NC (depends on part No.)	Ambient humidity	35-85%RH (non-condensing)
Supply voltage	10...30 VDC	Voltage withstand	1000V/AC 50/60Hz 60s
Target	Opaque object	Insulation resistance	≥50MΩ(500VDC)
Hysteresis range [%/Sr]		Vibration resistance	10...50Hz (0.5mm)
Repeat accuracy [R]	≤5%	Degree of protection	IP65
Load current	≤200mA	Housing material	Nickel-copper alloy
Residual voltage	≤2.5V	Connection type	M12 Connector

Dimensions



Wiring diagram



Plastic cylindrical shape photoelectric sensors **PR18GS** series



Features

- ◆ Through beam reflection working principle;
- ◆ Excellent anti-interference performance;
- ◆ High detection accuracy.



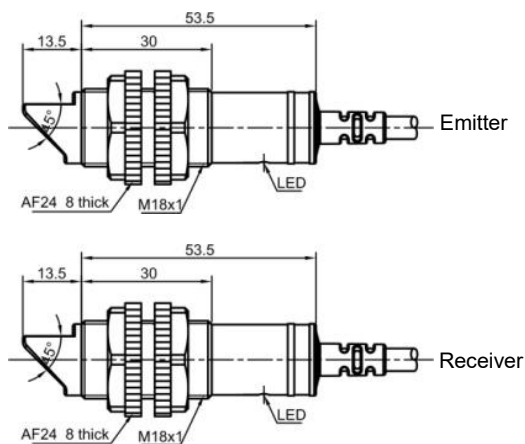
Part number

		Emitter		Receiver	
NPN	NO	PR18GS-TM20D	PR18GS-TM20DNO	PNP	NO
NPN	NC	PR18GS-TM20D	PR18GS-TM20DNC	PNP	NC
NPN	NO+NC	PR18GS-TM20D	PR18GS-TM20DNR	PNP	NO+NC

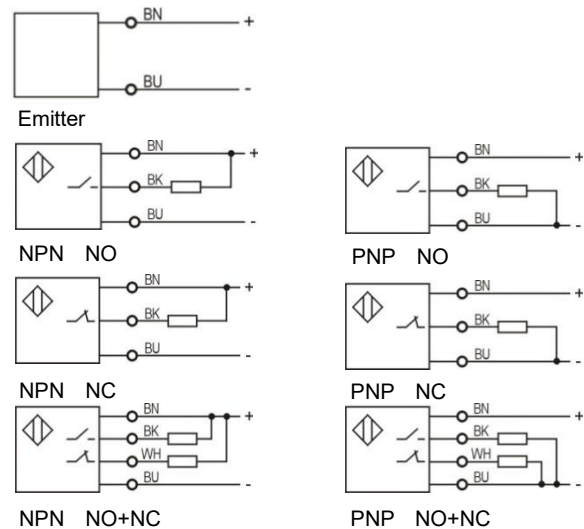
Technical specifications

Detection type	Through beam	Consumption current	≤25mA
Rated distance [Sn]	20m (non-adjustable)	Circuit protection	Short-circuit and reverse polarity
Standard target	>φ15mm opaque object	Response time	<8.2ms
Light source	Infrared LED (880nm)	Output indicator	Emitter: Green LED Receiver: Yellow LED
Dimensions	M18*67mm	Ambient temperature	-15℃...+55℃
Output	NO/NC (depends on receiver)	Ambient humidity	35-85%RH (non-condensing)
Supply voltage	10...30 VDC	Voltage withstand	1000V/AC 50/60Hz 60s
Min target	Insulation resistance	≥50MΩ (500VDC)
Hysteresis range [%/Sr]	Vibration resistance	10...50Hz (0.5mm)
Repeat accuracy [R]	≤5%	Degree of protection	IP65
Load current	≤200mA (receiver)	Housing material	PBT
Residual voltage	≤2.5V (receiver)	Connection type	2m PVC cable

Dimensions



Wiring diagram



Metal cylindrical shape photoelectric sensors **PR18G** series



Features

- ◆ Through beam reflection working principle;
- ◆ Excellent anti-interference performance
- ◆ High detection accuracy



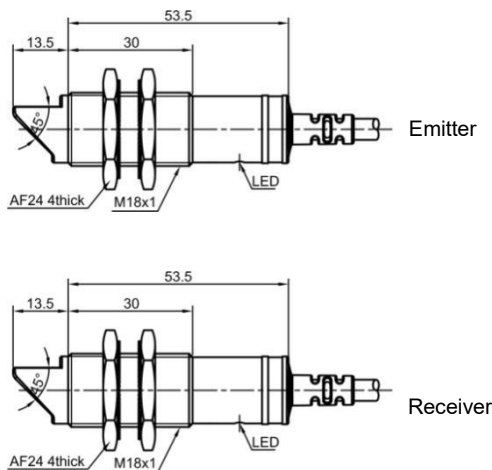
Part number

		Emitter		Receiver	
NPN	NO	PR18G-TM20D	PR18G-TM20DNO	PNP	NO
NPN	NC	PR18G-TM20D	PR18G-TM20DNC	PNP	NC
NPN	NO+NC	PR18G-TM20D	PR18G-TM20DNR	PNP	NO+NC
				PR18G-TM20D	PR18G-TM20DPO
				PR18G-TM20D	PR18G-TM20DPC
				PR18G-TM20D	PR18G-TM20DPR

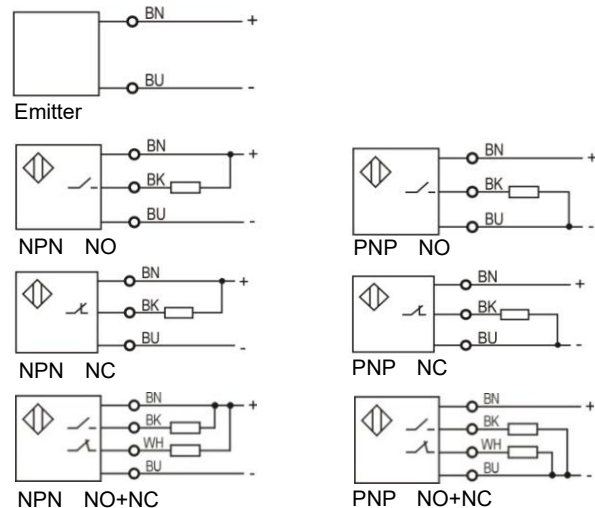
Technical specifications

Detection type	Through beam	Consumption current	≤25mA
Rated distance [Sn]	20m (non-adjustable)	Circuit protection	Short-circuit and reverse polarity
Standard target	>φ15mm opaque object	Response time	< 8.2ms
Light source	Infrared LED (880nm)	Output indicator	Emitter: Green LED Receiver: Yellow LED
Dimensions	M18*67mm	Ambient temperature	-15°C...+55°C
Output	NO/NC (depends on receiver)	Ambient humidity	35-85%RH (non-condensing)
Supply voltage	10...30 VDC	Voltage withstand	1000V/AC 50/60Hz 60s
Min target	Insulation resistance	≥50MΩ(500VDC)
Hysteresis range [%/Sr]	Vibration resistance	10...50Hz (0.5mm)
Repeat accuracy [R]	≤5%	Degree of protection	IP65
Load current	≤200mA (receiver)	Housing material	Nickel-copper alloy
Residual voltage	≤2.5V (receiver)	Connection type	2m PVC cable

Dimensions



Wiring diagram



Metal cylindrical shape photoelectric sensors **PR18G** series



Features

- ◆ Through beam reflection working principle;
- ◆ Excellent anti-interference performance
- ◆ High detection accuracy



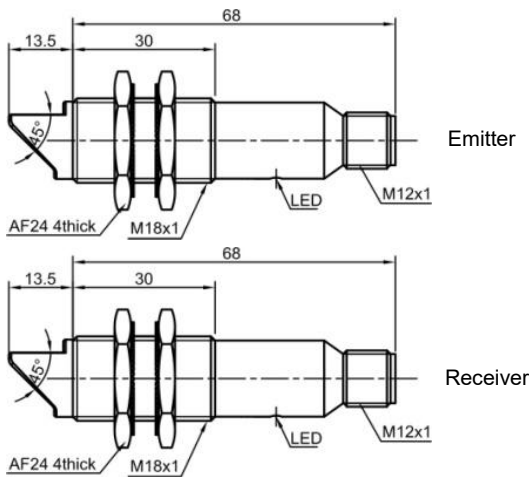
Part number

		Emitter		Receiver	
NPN	NO	PR18G-TM20D-E2	PR18G-TM20DNO-E2	PNP	NO
NPN	NC	PR18G-TM20D-E2	PR18G-TM20DNC-E2	PNP	NC
NPN	NO+NC	PR18G-TM20D-E2	PR18G-TM20DNR-E2	PNP	NO+NC

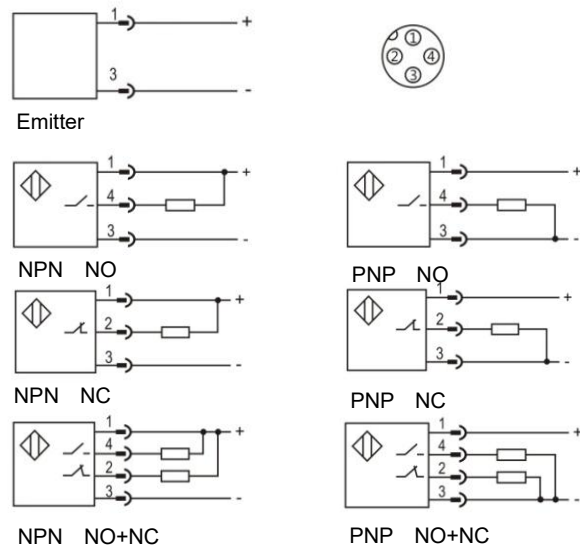
Technical specifications

Detection type	Through beam	Consumption current	≤25mA
Rated distance [Sn]	20m (non-adjustable)	Circuit protection	Short-circuit and reverse polarity
Standard target	>φ15mm opaque object	Response time	< 8.2ms
Light source	Infrared LED (880nm)	Output indicator	Emitter: Green LED Receiver: Yellow LED
Dimensions	M18*81.5mm	Ambient temperature	-15°C...+55°C
Output	NO/NC (depends on receiver)	Ambient humidity	35-85%RH (non-condensing)
Supply voltage	10...30 VDC	Voltage withstand	1000V/AC 50/60Hz 60s
Min target	Insulation resistance	≥50MΩ(500VDC)
Hysteresis range [%/Sr]	Vibration resistance	10...50Hz (0.5mm)
Repeat accuracy [R]	≤5%	Degree of protection	IP65
Load current	≤200mA (receiver)	Housing material	Nickel-copper alloy
Residual voltage	≤2.5V (receiver)	Connection type	M12 Connector

Dimensions



Wiring diagram



Plastic cylindrical shape photoelectric sensors **PR18GS** series



Features

- ◆ Through beam reflection working principle;
- ◆ Excellent anti-interference performance;
- ◆ High detection accuracy.



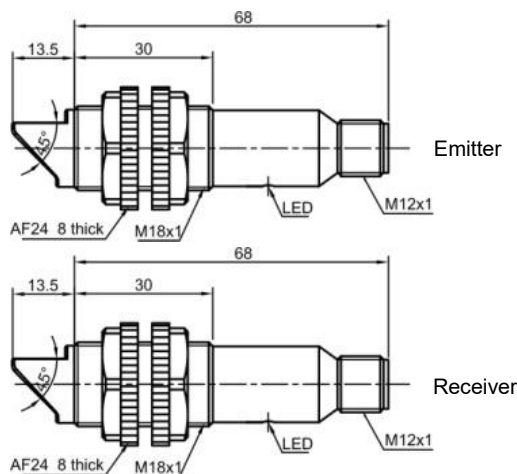
Part number

	Emitter	Receiver		Emitter	Receiver
NPN NO	PR18GS-TM20D-E2	PR18GS-TM20DNO-E2	PNP NO	PR18GS-TM20D-E2	PR18GS-TM20DPO-E2
NPN NC	PR18GS-TM20D-E2	PR18GS-TM20DNC-E2	PNP NC	PR18GS-TM20D-E2	PR18GS-TM20DPC-E2
NPN NO+NC	PR18GS-TM20D-E2	PR18GS-TM20DNR-E2	PNP NO+NC	PR18GS-TM20D-E2	PR18GS-TM20DPR-E2

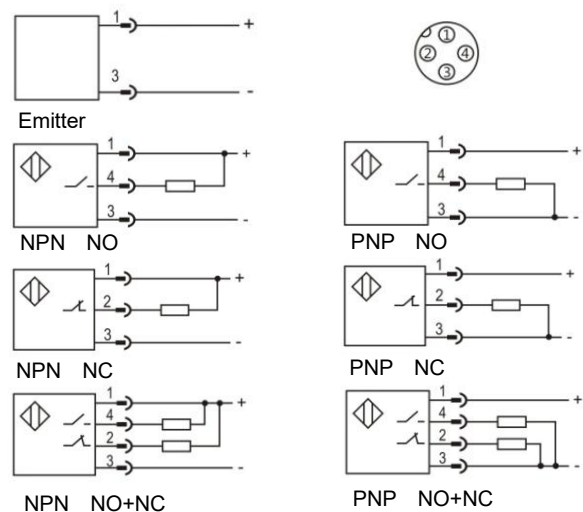
Technical specifications

Detection type	Through beam	Consumption current	≤25mA
Rated distance [Sn]	20m (non-adjustable)	Circuit protection	Short-circuit and reverse polarity
Standard target	>φ15mm opaque object	Response time	<8.2ms
Light source	Infrared LED (880nm)	Output indicator	Emitter: Green LED Receiver: Yellow LED
Dimensions	M18*81.5mm	Ambient temperature	-15℃...+55℃
Output	NO/NC (depends on receiver)	Ambient humidity	35-85%RH (non-condensing)
Supply voltage	10...30 VDC	Voltage withstand	1000V/AC 50/60Hz 60s
Min target	Insulation resistance	≥50MΩ (500VDC)
Hysteresis range [%/Sr]	Vibration resistance	10...50Hz (0.5mm)
Repeat accuracy [R]	≤5%	Degree of protection	IP65
Load current	≤200mA (receiver)	Housing material	PBT
Residual voltage	≤2.5V (receiver)	Connection type	M12 Connector

Dimensions



Wiring diagram



Plastic cylindrical shape photoelectric sensors **PR18GS** series



Features

- ◆ Through beam reflection working principle;
- ◆ Excellent anti-interference performance;
- ◆ High detection accuracy.



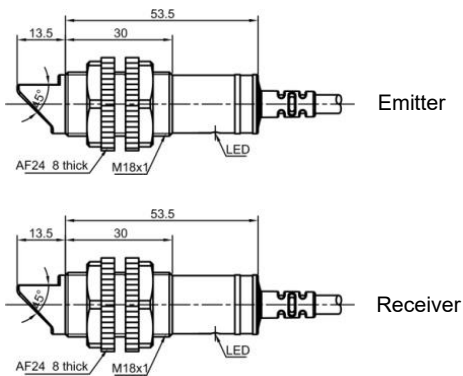
Part number

		Emitter		Receiver	
NPN	NO	PR18GS-TM10D	PR18GS-TM10DNO	PNP	NO
NPN	NC	PR18GS-TM10D	PR18GS-TM10DNC	PNP	NC
NPN	NO+NC	PR18GS-TM10D	PR18GS-TM10DNR	PNP	NO+NC

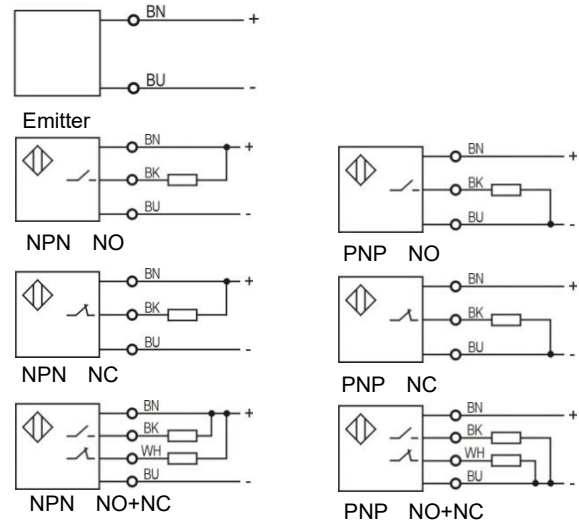
Technical specifications

Detection type	Through beam	Consumption current	≤25mA
Rated distance [Sn]	10m (non-adjustable)	Circuit protection	Short-circuit and reverse polarity
Standard target	>φ15mm opaque object	Response time	<8.2ms
Light source	Infrared LED (880nm)	Output indicator	Emitter: Green LED Receiver: Yellow LED
Dimensions	M18*67mm	Ambient temperature	-15℃...+55℃
Output	NO/NC (depends on receiver)	Ambient humidity	35-85%RH (non-condensing)
Supply voltage	10...30 VDC	Voltage withstand	1000V/AC 50/60Hz 60s
Min target	Insulation resistance	≥50MΩ (500VDC)
Hysteresis range [%/Sr]	Vibration resistance	10...50Hz (0.5mm)
Repeat accuracy [R]	≤5%	Degree of protection	IP65
Load current	≤200mA (receiver)	Housing material	PBT
Residual voltage	≤2.5V (receiver)	Connection type	2m PVC cable

Dimensions



Wiring diagram



Metal cylindrical shape photoelectric sensors **PR18G** series



Features

- ◆ Through beam reflection working principle;
- ◆ Excellent anti-interference performance
- ◆ High detection accuracy



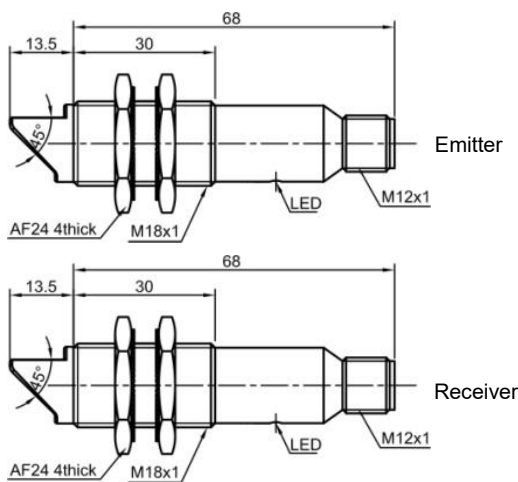
Part number

		Emitter		Receiver			
NPN	NO	PR18G-TM10D-E2	PR18G-TM10DNO-E2	PNP	NO	PR18G-TM10D-E2	PR18G-TM10DPO-E2
NPN	NC	PR18G-TM10D-E2	PR18G-TM10DNC-E2	PNP	NC	PR18G-TM10D-E2	PR18G-TM10DPC-E2
NPN	NO+NC	PR18G-TM10D-E2	PR18G-TM10DNR-E2	PNP	NO+NC	PR18G-TM10D-E2	PR18G-TM10DPR-E2

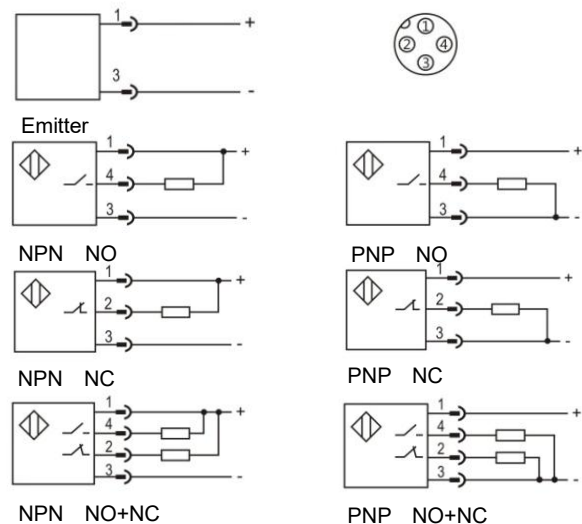
Technical specifications

Detection type	Through beam	Consumption current	≤25mA
Rated distance [Sn]	10m (non-adjustable)	Circuit protection	Short-circuit and reverse polarity
Standard target	>φ15mm opaque object	Response time	< 8.2ms
Light source	Infrared LED (880nm)	Output indicator	Emitter: Green LED Receiver: Yellow LED
Dimensions	M18*81.5mm	Ambient temperature	-15°C...+55°C
Output	NO/NC (depends on receiver)	Ambient humidity	35-85%RH (non-condensing)
Supply voltage	10...30 VDC	Voltage withstand	1000V/AC 50/60Hz 60s
Min target	Insulation resistance	≥50MΩ(500VDC)
Hysteresis range [%/Sr]	Vibration resistance	10...50Hz (0.5mm)
Repeat accuracy [R]	≤5%	Degree of protection	IP65
Load current	≤200mA (receiver)	Housing material	Nickel-copper alloy
Residual voltage	≤2.5V (receiver)	Connection type	M12 Connector

Dimensions



Wiring diagram



Metal cylindrical shape photoelectric sensors **PR18G** series



Features

- ◆ Through beam reflection working principle;
- ◆ Excellent anti-interference performance
- ◆ High detection accuracy



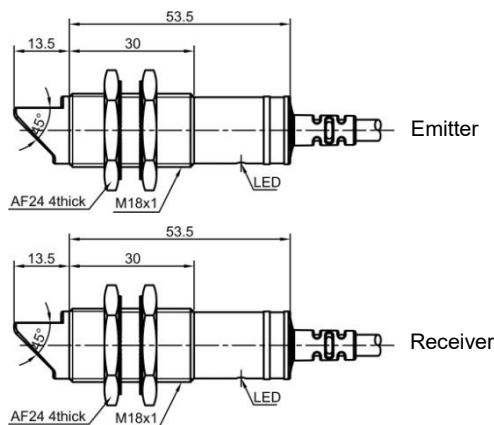
Part number

		Emitter		Receiver	
NPN	NO	PR18G-TM10D	PR18G-TM10DNO	PNP	NO
NPN	NC	PR18G-TM10D	PR18G-TM10DNC	PNP	NC
NPN	NO+NC	PR18G-TM10D	PR18G-TM10DNR	PNP	NO+NC

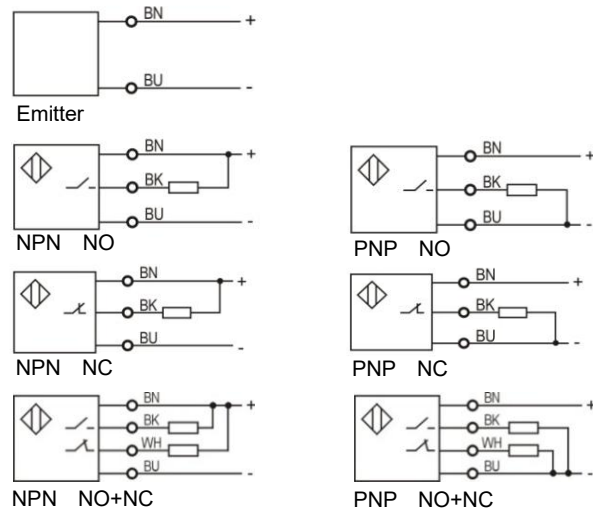
Technical specifications

Detection type	Through beam	Consumption current	≤25mA
Rated distance [Sn]	10m (non-adjustable)	Circuit protection	Short-circuit and reverse polarity
Standard target	>φ15mm opaque object	Response time	< 8.2ms
Light source	Infrared LED (880nm)	Output indicator	Emitter: Green LED Receiver: Yellow LED
Dimensions	M18*67mm	Ambient temperature	-15°C...+55°C
Output	NO/NC (depends on receiver)	Ambient humidity	35-85%RH (non-condensing)
Supply voltage	10...30 VDC	Voltage withstand	1000V/AC 50/60Hz 60s
Min target	Insulation resistance	≥50MΩ(500VDC)
Hysteresis range [%/Sr]	Vibration resistance	10...50Hz (0.5mm)
Repeat accuracy [R]	≤5%	Degree of protection	IP65
Load current	≤200mA (receiver)	Housing material	Nickel-copper alloy
Residual voltage	≤2.5V (receiver)	Connection type	2m PVC cable

Dimensions



Wiring diagram



Plastic cylindrical shape photoelectric sensors **PR18GS** series



Features

- ◆ Through beam reflection working principle;
- ◆ Excellent anti-interference performance;
- ◆ High detection accuracy.



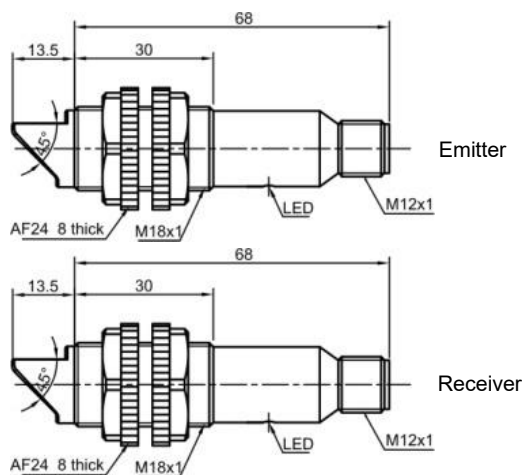
Part number

		Emitter		Receiver			
NPN	NO	PR18GS-TM10D-E2	PR18GS-TM10DNO-E2	PNP	NO	PR18GS-TM10D-E2	PR18GS-TM10DPO-E2
NPN	NC	PR18GS-TM10D-E2	PR18GS-TM10DNC-E2	PNP	NC	PR18GS-TM10D-E2	PR18GS-TM10DPC-E2
NPN	NO+NC	PR18GS-TM10D-E2	PR18GS-TM10DNR-E2	PNP	NO+NC	PR18GS-TM10D-E2	PR18GS-TM10DPR-E2

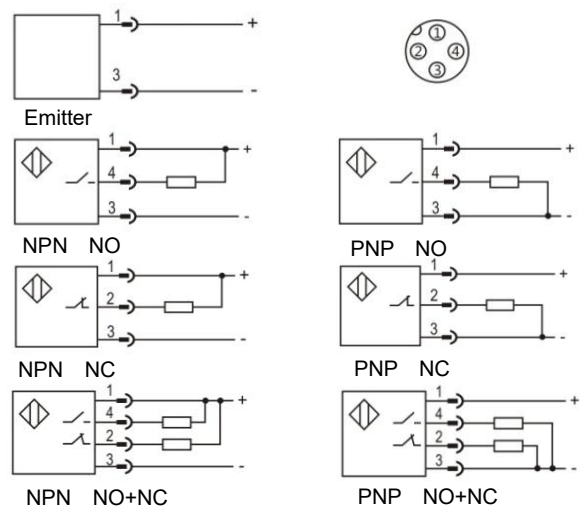
Technical specifications

Detection type	Through beam	Consumption current	≤25mA
Rated distance [Sn]	10m (non-adjustable)	Circuit protection	Short-circuit and reverse polarity
Standard target	>φ15mm opaque object	Response time	<8.2ms
Light source	Infrared LED (880nm)	Output indicator	Emitter: Green LED Receiver: Yellow LED
Dimensions	M18*81.5mm	Ambient temperature	-15℃...+55℃
Output	NO/NC (depends on receiver)	Ambient humidity	35-85%RH (non-condensing)
Supply voltage	10...30 VDC	Voltage withstand	1000V/AC 50/60Hz 60s
Min target	Insulation resistance	≥50MΩ (500VDC)
Hysteresis range [%/Sr]	Vibration resistance	10...50Hz (0.5mm)
Repeat accuracy [R]	≤5%	Degree of protection	IP65
Load current	≤200mA (receiver)	Housing material	PBT
Residual voltage	≤2.5V (receiver)	Connection type	M12 Connector

Dimensions



Wiring diagram



Plastic cylindrical shape photoelectric sensors **PR18S** series



Features

- ◆ Through beam reflection working principle;
- ◆ Excellent anti-interference performance
- ◆ High detection accuracy



Part number					
	Emitter		Receiver		
NPN NO	PR18S-TM20D	PR18S-TM20DNO	PNP NO	PR18S-TM20D	PR18S-TM20DPO
NPN NC	PR18S-TM20D	PR18S-TM20DNC	PNP NC	PR18S-TM20D	PR18S-TM20DPC
NPN NO+NC	PR18S-TM20D	PR18S-TM20DNR	PNP NO+NC	PR18S-TM20D	PR18S-TM20DPR

Technical specifications			
Detection type	Through beam	Consumption current	≤25mA
Rated distance [Sn]	20m (non-adjustable)	Circuit protection	Short-circuit and reverse polarity
Standard target	>φ15mm opaque object	Response time	< 8.2ms
Light source	Infrared LED (880nm)	Output indicator	Emitter: Green LED Receiver: Yellow LED
Dimensions	M18*53.5mm	Ambient temperature	-15°C...+55°C
Output	NO/NC (depends on receiver)	Ambient humidity	35-95%RH
Supply voltage	10...30 VDC	Voltage withstand	1000V/AC 50/60Hz 60s
Min target	Insulation resistance	≥50MΩ(500VDC)
Hysteresis range [%/Sr]	Vibration resistance	10...50Hz (0.5mm)
Repeat accuracy [R]	≤5%	Degree of protection	IP67
Load current	≤200mA (receiver)	Housing material	PBT
Residual voltage	≤2.5V (receiver)	Connection type	2m PVC cable

Dimensions

Wiring diagram

Plastic cylindrical shape photoelectric sensors **PR18S** series



Features

- ◆ Through beam reflection working principle;
- ◆ Excellent anti-interference performance
- ◆ High detection accuracy



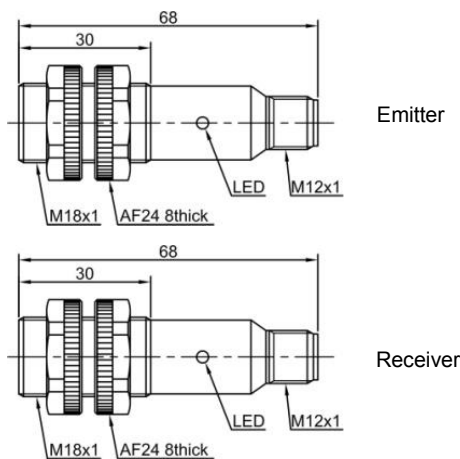
Part number

	Emitter	Receiver		Emitter	Receiver
NPN NO	PR18S-TM20D-E2	PR18S-TM20DNO-E2	PNP NO	PR18S-TM20D-E2	PR18S-TM20DPO-E2
NPN NC	PR18S-TM20D-E2	PR18S-TM20DNC-E2	PNP NC	PR18S-TM20D-E2	PR18S-TM20DPC-E2
NPN NO+NC	PR18S-TM20D-E2	PR18S-TM20DNR-E2	PNP NO+NC	PR18S-TM20D-E2	PR18S-TM20DPR-E2

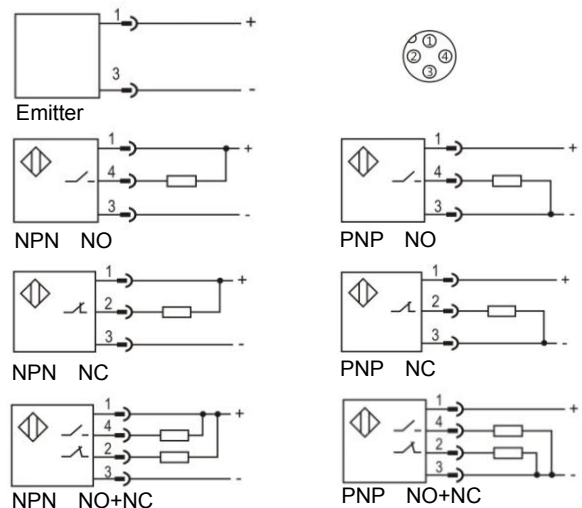
Technical specifications

Detection type	Through beam	Consumption current	≤25mA
Rated distance [Sn]	20m (non-adjustable)	Circuit protection	Short-circuit and reverse polarity
Standard target	>φ15mm opaque object	Response time	< 8.2ms
Light source	Infrared LED (880nm)	Output indicator	Emitter: Green LED Receiver: Yellow LED
Dimensions	M18*68mm	Ambient temperature	-15°C...+55°C
Output	NO/NC (depends on receiver)	Ambient humidity	35-85%RH (non-condensing)
Supply voltage	10...30 VDC	Voltage withstand	1000V/AC 50/60Hz 60s
Min target	Insulation resistance	≥50MΩ(500VDC)
Hysteresis range [%/Sr]	Vibration resistance	10...50Hz (0.5mm)
Repeat accuracy [R]	≤5%	Degree of protection	IP67
Load current	≤200mA (receiver)	Housing material	PBT
Residual voltage	≤2.5V (receiver)	Connection type	M12 Connector

Dimensions



Wiring diagram



Metal cylindrical shape photoelectric sensors **PR18** series



Features

- ◆ Through beam reflection working principle;
- ◆ Excellent anti-interference performance
- ◆ High detection accuracy



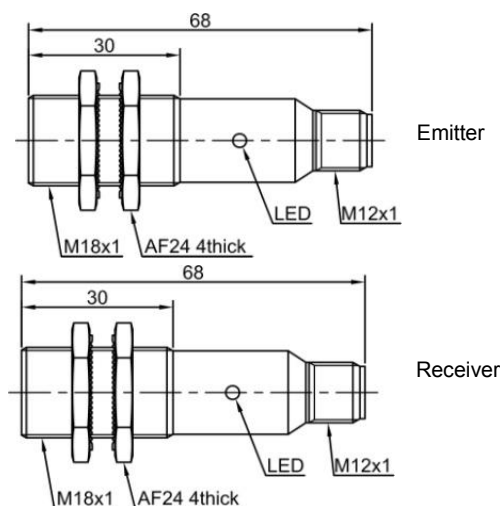
Part number

		Emitter		Receiver			
NPN	NO	PR18-TM20D-E2	PR18-TM20DNO-E2	PNP	NO	PR18-TM20D-E2	PR18-TM20DPO-E2
NPN	NC	PR18-TM20D-E2	PR18-TM20DNC-E2	PNP	NC	PR18-TM20D-E2	PR18-TM20DPC-E2
NPN	NO+NC	PR18-TM20D-E2	PR18-TM20DNR-E2	PNP	NO+NC	PR18-TM20D-E2	PR18-TM20DPR-E2

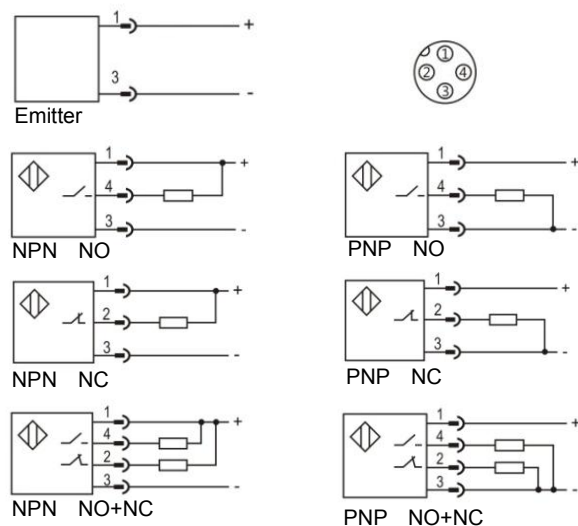
Technical specifications

Detection type	Through beam	Consumption current	≤25mA
Rated distance [Sn]	20m (non-adjustable)	Circuit protection	Short-circuit and reverse polarity
Standard target	> φ15mm opaque object	Response time	< 8.2ms
Light source	Infrared LED (880nm)	Output indicator	Emitter: Green LED Receiver: Yellow LED
Dimensions	M18*68mm	Ambient temperature	-15°C...+55°C
Output	NO/NC (depends on receiver)	Ambient humidity	35-85%RH (non-condensing)
Supply voltage	10...30 VDC	Voltage withstand	1000V/AC 50/60Hz 60s
Min target	Insulation resistance	≥50MΩ(500VDC)
Hysteresis range [%/Sr]	Vibration resistance	10...50Hz (0.5mm)
Repeat accuracy [R]	≤5%	Degree of protection	IP67
Load current	≤200mA (receiver)	Housing material	Nickel-copper alloy
Residual voltage	≤2.5V (receiver)	Connection type	M12 Connector

Dimensions



Wiring diagram



Metal cylindrical shape photoelectric sensors **PR18** series



Features

- ◆ Through beam reflection working principle;
- ◆ Excellent anti-interference performance
- ◆ High detection accuracy



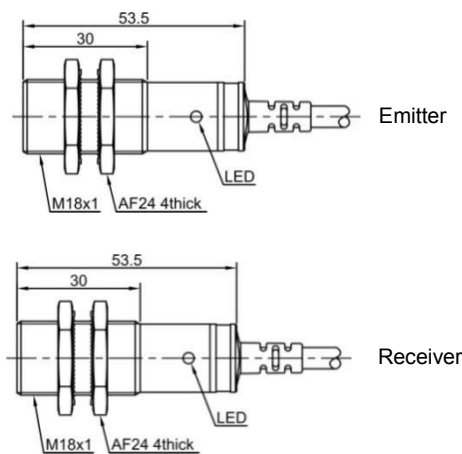
Part number

		Emitter		Receiver	
NPN	NO	PR18-TM20D	PR18-TM20DNO	PNP	NO
NPN	NC	PR18-TM20D	PR18-TM20DNC	PNP	NC
NPN	NO+NC	PR18-TM20D	PR18-TM20DNR	PNP	NO+NC

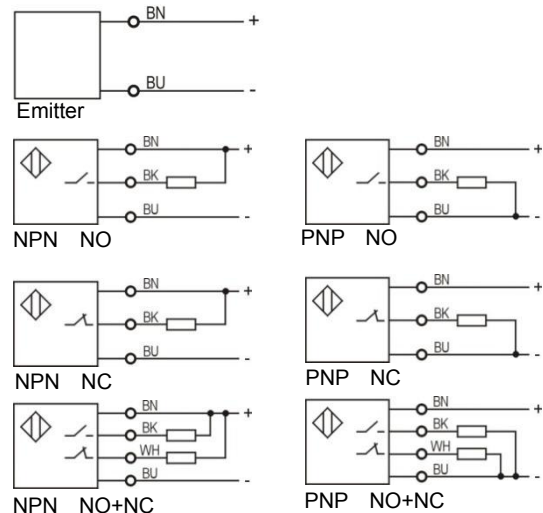
Technical specifications

Detection type	Through beam	Consumption current	≤25mA
Rated distance [Sn]	20m (non-adjustable)	Circuit protection	Short-circuit and reverse polarity
Standard target	> φ15mm opaque object	Response time	< 8.2ms
Light source	Infrared LED (880nm)	Output indicator	Emitter: Green LED Receiver: Yellow LED
Dimensions	M18*53.5mm	Ambient temperature	-15°C...+55°C
Output	NO/NC (depends on receiver)	Ambient humidity	35-85%RH (non-condensing)
Supply voltage	10...30 VDC	Voltage withstand	1000V/AC 50/60Hz 60s
Min target	Insulation resistance	≥50MΩ(500VDC)
Hysteresis range [%/Sr]	Vibration resistance	10...50Hz (0.5mm)
Repeat accuracy [R]	≤5%	Degree of protection	IP67
Load current	≤200mA (receiver)	Housing material	Nickel-copper alloy
Residual voltage	≤2.5V (receiver)	Connection type	2m PVC cable

Dimensions



Wiring diagram



Metal cylindrical shape photoelectric sensors **PR18** series



Features

- ◆ Through beam reflection working principle;
- ◆ Excellent anti-interference performance
- ◆ High detection accuracy



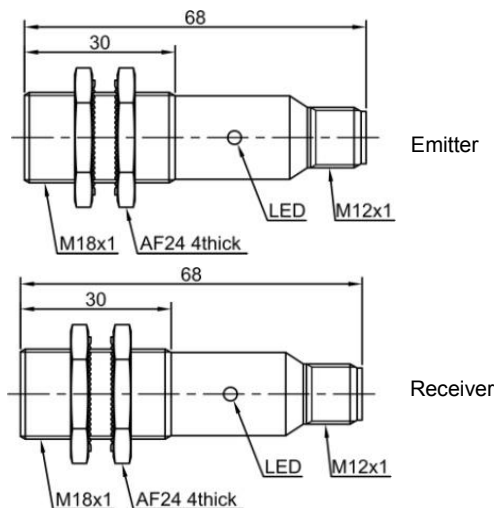
Part number

		Emitter		Receiver			
NPN	NO	PR18-TM10D-E2	PR18-TM10DNO-E2	PNP	NO	PR18-TM10D-E2	PR18-TM10DPO-E2
NPN	NC	PR18-TM10D-E2	PR18-TM10DNC-E2	PNP	NC	PR18-TM10D-E2	PR18-TM10DPC-E2
NPN	NO+NC	PR18-TM10D-E2	PR18-TM10DNR-E2	PNP	NO+NC	PR18-TM10D-E2	PR18-TM10DPR-E2

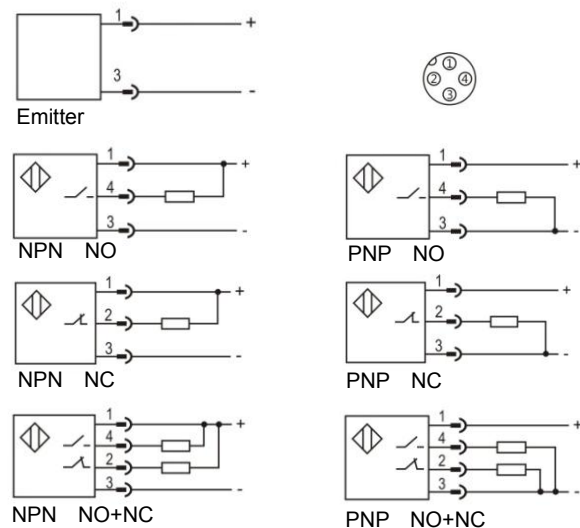
Technical specifications

Detection type	Through beam	Consumption current	≤25mA
Rated distance [Sn]	10m (non-adjustable)	Circuit protection	Short-circuit and reverse polarity
Standard target	>φ15mm opaque object	Response time	< 8.2ms
Light source	Infrared LED (880nm)	Output indicator	Emitter: Green LED Receiver: Yellow LED
Dimensions	M18*81.5mm	Ambient temperature	-15°C...+55°C
Output	NO/NC (depends on receiver)	Ambient humidity	35-85%RH (non-condensing)
Supply voltage	10...30 VDC	Voltage withstand	1000V/AC 50/60Hz 60s
Min target	Insulation resistance	≥50MΩ(500VDC)
Hysteresis range [%/Sr]	Vibration resistance	10...50Hz (0.5mm)
Repeat accuracy [R]	≤5%	Degree of protection	IP67
Load current	≤200mA (receiver)	Housing material	Nickel-copper alloy
Residual voltage	≤2.5V (receiver)	Connection type	M12 Connector

Dimensions



Wiring diagram



Metal cylindrical shape photoelectric sensors **PR18** series



Features

- ◆ Through beam reflection working principle;
- ◆ Excellent anti-interference performance
- ◆ High detection accuracy



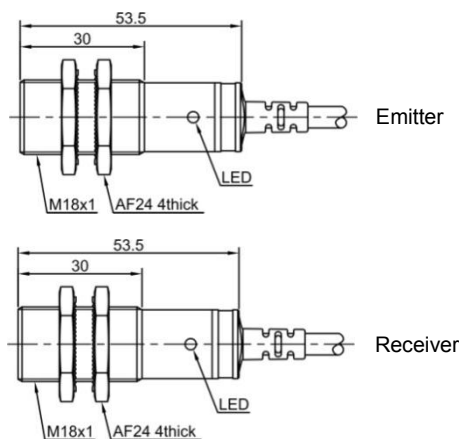
Part number

		Emitter		Receiver	
NPN	NO	PR18-TM10D	PR18-TM10DNO	PNP	NO
NPN	NC	PR18-TM10D	PR18-TM10DNC	PNP	NC
NPN	NO+NC	PR18-TM10D	PR18-TM10DNR	PNP	NO+NC

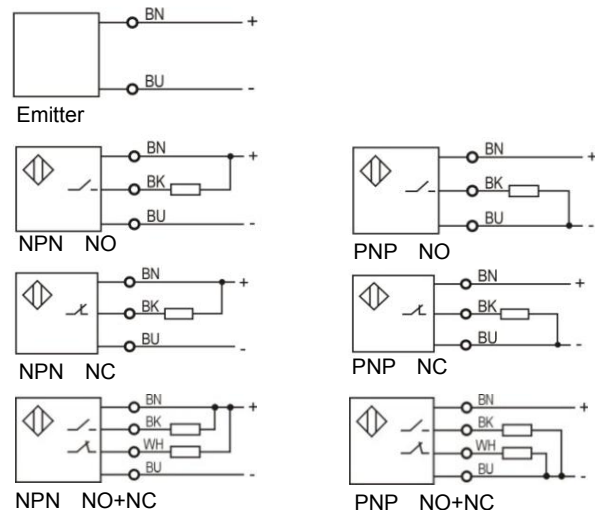
Technical specifications

Detection type	Through beam	Consumption current	≤25mA
Rated distance [Sn]	10m (non-adjustable)	Circuit protection	Short-circuit and reverse polarity
Standard target	> φ15mm opaque object	Response time	< 8.2ms
Light source	Infrared LED (880nm)	Output indicator	Emitter: Green LED Receiver: Yellow LED
Dimensions	M18*53.5mm	Ambient temperature	-15°C...+55°C
Output	NO/NC (depends on receiver)	Ambient humidity	35-85%RH (non-condensing)
Supply voltage	10...30 VDC	Voltage withstand	1000V/AC 50/60Hz 60s
Min target	Insulation resistance	≥50MΩ(500VDC)
Hysteresis range [%/Sr]	Vibration resistance	10...50Hz (0.5mm)
Repeat accuracy [R]	≤5%	Degree of protection	IP67
Load current	≤200mA (receiver)	Housing material	Nickel-copper alloy
Residual voltage	≤2.5V (receiver)	Connection type	2m PVC cable

Dimensions



Wiring diagram



Metal cylindrical shape photoelectric sensors **PR18** series



Features

- ◆ Emitter and receiver built in one housing, sensing distance adjustable
- ◆ Special optic design, regardless background;
- ◆ Super anti-interference to ambient light;



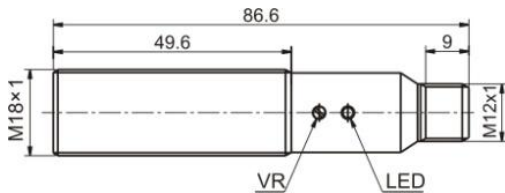
Part number

NPN NO+NC	PR18-YC10DNR-E2	PNP NO+NC	PR18-YC10DPR-E2
-----------	-----------------	-----------	-----------------

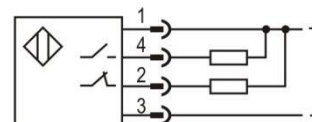
Technical specifications

Detection type	Background suppression	Consumption current	≤35mA
Rated distance [Sn]	10cm (adjustable)	Circuit protection	Short-circuit, overload and reverse polarity
Standard target	Reflection rate: White 90% Black:10%	Response time	< 2ms
Light source	Red LED (680nm)	Output indicator	Yellow LED
Dimensions	M18*86.6mm	Ambient temperature	-15°C...+55°C
Output	NO+NC	Ambient humidity	35-85%RH (non-condensing)
Supply voltage	10...30 VDC	Voltage withstand	1000V/AC 50/60Hz 60s
WH&BK color variation	≤10%	Insulation resistance	≥50MΩ(500VDC)
Hysteresis range [%/Sr]	≤5%	Vibration resistance	10...50Hz (0.5mm)
Repeat accuracy [R]	≤3%	Degree of protection	IP67
Load current	≤200mA	Housing material	Nickel-copper alloy
Residual voltage	≤2.5V	Connection type	M12 connector

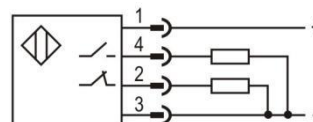
Dimensions



Wiring diagram



NPN NO+NC



PNP NO+NC



Metal cylindricalshape photoelectric sensors **PR18** series



Features

- ◆ Emitter and receiver built in one housing, sensing distance adjustable
- ◆ Special optic design, regardless background;
- ◆ Super anti-interference to ambient light;



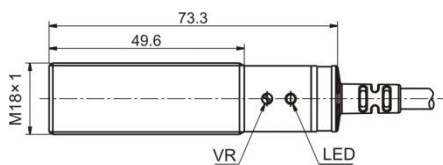
Part number

NPN NO+NC	PR18-YC10DNR	PNP NO+NC	PR18-YC10DPR
-----------	--------------	-----------	--------------

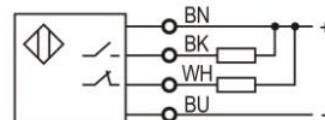
Technical specifications

Detection type	Background suppression	Consumption current	≤35mA
Rated distance [Sn]	10cm (adjustable)	Circuit protection	Short-circuit, overload and reverse polarity
Standard target	Reflection rate: White 90% Black:10%	Response time	< 2ms
Light source	Red LED (680nm)	Output indicator	Yellow LED
Dimensions	M18*73.3mm	Ambient temperature	-15°C...+55°C
Output	NO+NC	Ambient humidity	35-85%RH (non-condensing)
Supply voltage	10...30 VDC	Voltage withstand	1000V/AC 50/60Hz 60s
WH&BK color variation	≤ 10%	Insulation resistance	≥50MΩ(500VDC)
Hysteresis range [%/Sr]	≤5%	Vibration resistance	10...50Hz (0.5mm)
Repeat accuracy [R]	≤3%	Degree of protection	IP67
Load current	≤200mA	Housing material	Nickel-copper alloy
Residual voltage	≤2.5V	Connection type	2m PVC cable

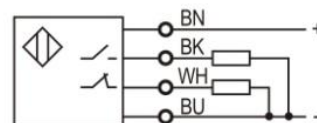
Dimensions



Wiring diagram



NPN NO+NC



PNP NO+NC

Plastic cylindrical shape photoelectric sensors **PR18S** series



Features

- ◆ Diffuse reflection working principle;
- ◆ Excellent anti-interference performance
- ◆ High detection accuracy



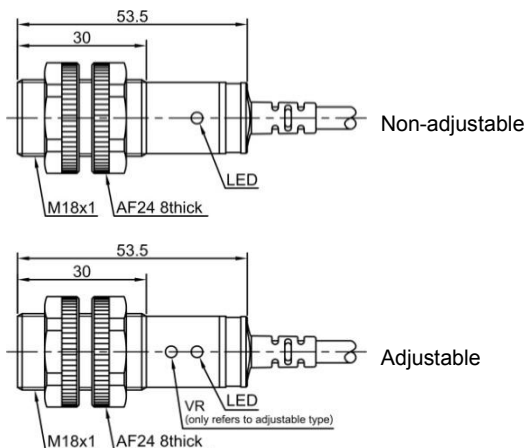
Part number

NPN NO	PR18S-BC10DNO	PR18S-BC40DNO	PNP NO	PR18S-BC10DPO	PR18S-BC40DPO
NPN NC	PR18S-BC10DNC	PR18S-BC40DNC	PNP NC	PR18S-BC10DPC	PR18S-BC40DPC
NPN NO+NC	PR18S-BC10DNR	PR18S-BC40DNR	PNP NO+NC	PR18S-BC10DPR	PR18S-BC40DPR

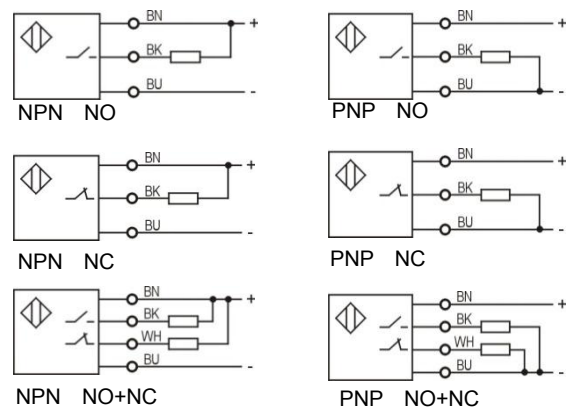
Technical specifications

Detection type	Diffuse reflection	Consumption current	≤25mA
Rated distance [Sn]	10cm (non-adjustable)40cm(adjustable)	Circuit protection	Short-circuit, overload and reverse polarity
Standard target	White card reflection rate 90%	Response time	< 8.2ms
Light source	Infrared LED (880nm)	Output indicator	Yellow LED
Dimensions	M18*53.5mm	Ambient temperature	-15°C...+55°C
Output	NO/NC (depends on part No.)	Ambient humidity	35-85%RH (non-condensing)
Supply voltage	10...30 VDC	Voltage withstand	1000V/AC 50/60Hz 60s
Target	Opaque object	Insulation resistance	≥50MΩ(500VDC)
Hysteresis range [%/Sr]	3...20%	Vibration resistance	10...50Hz (0.5mm)
Repeat accuracy [R]	≤5%	Degree of protection	IP67
Load current	≤200mA	Housing material	PBT
Residual voltage	≤2.5V	Connection type	2m PVC cable

Dimensions



Wiring diagram



Plastic cylindrical shape photoelectric sensors **PR18S** series



Features

- ◆ Diffuse reflection working principle;
- ◆ Excellent anti-interference performance
- ◆ High detection accuracy



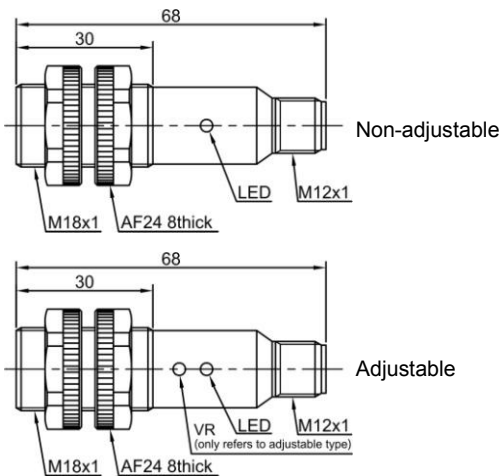
Part number

NPN NO	PR18S-BC10DNO-E2	PR18S-BC40DNO-E2	PNP NO	PR18S-BC10DPO-E2	PR18S-BC40DPO-E2
NPN NC	PR18S-BC10DNC-E2	PR18S-BC40DNC-E2	PNP NC	PR18S-BC10DPC-E2	PR18S-BC40DPC-E2
NPN NO+NC	PR18S-BC10DNR-E2	PR18S-BC40DNR-E2	PNP NO+NC	PR18S-BC10DPR-E2	PR18S-BC40DPR-E2

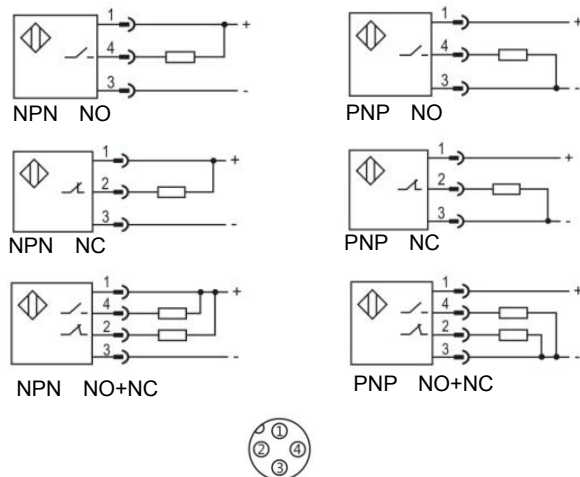
Technical specifications

Detection type	Diffuse reflection	Consumption current	≤25mA
Rated distance [Sn]	10cm (non-adjustable)40cm(adjustable)	Circuit protection	Short-circuit, overload and reverse polarity
Standard target	White card reflection rate 90%	Response time	< 8.2ms
Light source	Infrared LED (880nm)	Output indicator	Yellow LED
Dimensions	M18*68mm	Ambient temperature	-15°C...+55°C
Output	NO/NC (depends on part No.)	Ambient humidity	35-85%RH (non-condensing)
Supply voltage	10...30 VDC	Voltage withstand	1000V/AC 50/60Hz 60s
Target	Opaque object	Insulation resistance	≥50MΩ(500VDC)
Hysteresis range [%/Sr]	3...20%	Vibration resistance	10...50Hz (0.5mm)
Repeat accuracy [R]	≤5%	Degree of protection	IP67
Load current	≤200mA	Housing material	PBT
Residual voltage	≤2.5V	Connection type	M12 Connector

Dimensions



Wiring diagram



Plastic cylindrical shape photoelectric sensors **PR18GS** series



Features

- ◆ Diffuse reflection working principle;
- ◆ Excellent anti-interference performance;
- ◆ High detection accuracy.



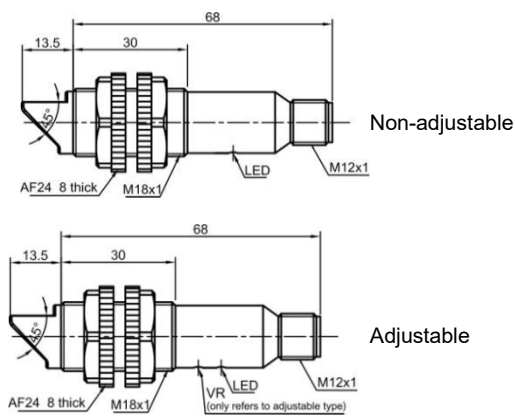
Part number

NPN NO	PR18GS-BC10DNO-E2	PR18GS-BC40DNO-E2	PNP NO	PR18GS-BC10DPO-E2	PR18GS-BC40DPO-E2
NPN NC	PR18GS-BC10DNC-E2	PR18GS-BC40DNC-E2	PNP NC	PR18GS-BC10DPC-E2	PR18GS-BC40DPC-E2
NPN NO+NC	PR18GS-BC10DNR-E2	PR18GS-BC40DNR-E2	PNPNO+NC	PR18GS-BC10DPR-E2	PR18GS-BC40DPR-E2

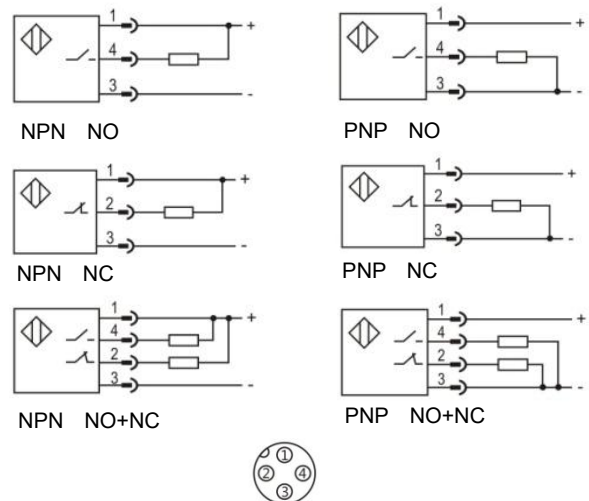
Technical specifications

Detection type	Diffuse reflection	Consumption current	≤25mA
Rated distance [Sn]	10cm (non-adjustable) 40cm(adjustable)	Circuit protection	Short-circuit, overload and reverse polarity
Standard target	White card reflection rate 90%	Response time	<8.2ms
Light source	Infrared LED (880nm)	Output indicator	Yellow LED
Dimensions	M18*81.5mm	Ambient temperature	-15℃...+55℃
Output	NO/NC (depends on part No.)	Ambient humidity	35-85%RH (non-condensing)
Supply voltage	10...30 VDC	Voltage withstand	1000V/AC 50/60Hz 60s
Target	Opaque object	Insulation resistance	≥50MΩ(500VDC)
Hysteresis range [%/Sr]	3...20%	Vibration resistance	10...50Hz (0.5mm)
Repeat accuracy [R]	≤5%	Degree of protection	IP65
Load current	≤200mA	Housing material	PBT
Residual voltage	≤2.5V	Connection type	M12 Connector

Dimensions



Wiring diagram



Metal cylindrical shape photoelectric sensors **PR18G** series



Features

- ◆ Diffuse reflection working principle;
- ◆ Excellent anti-interference performance
- ◆ High detection accuracy



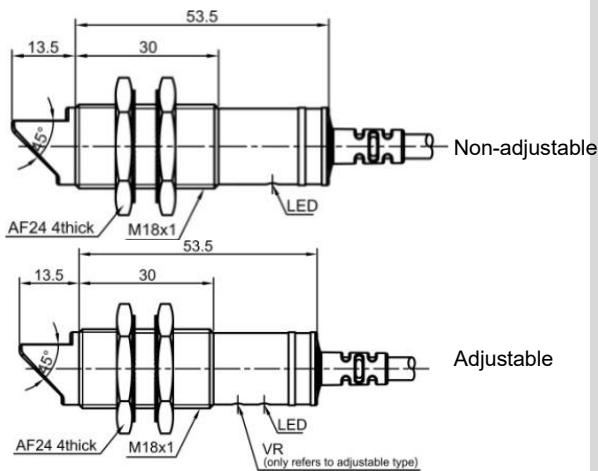
Part number

NPN NO	PR18G-BC10DNO	PR18G-BC40DNO	PNP NO	PR18G-BC10DPO	PR18G-BC40DPO
NPN NC	PR18G-BC10DNC	PR18G-BC40DNC	PNP NC	PR18G-BC10DPC	PR18G-BC40DPC
NPN NO+NC	PR18G-BC10DNR	PR18G-BC40DNR	PNP NO+NC	PR18G-BC10DPR	PR18G-BC40DPR

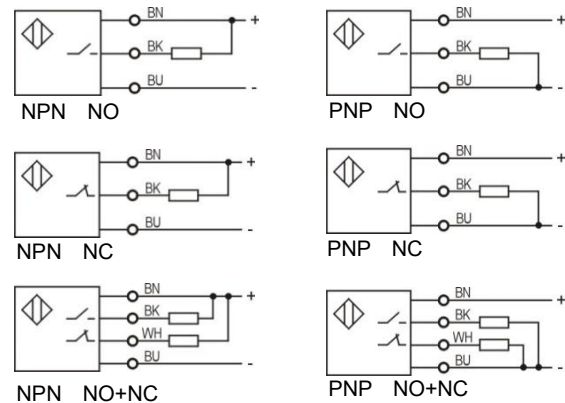
Technical specifications

Detection type	Diffuse reflection	Consumption current	≤25mA
Rated distance [Sn]	10cm (non-adjustable) 40cm (adjustable)	Circuit protection	Short-circuit, overload and reverse polarity
Standard target	White card reflection rate 90%	Response time	< 8.2ms
Light source	Infrared LED (880nm)	Output indicator	Yellow LED
Dimensions	M18*67mm	Ambient temperature	-15°C...+55°C
Output	NO/NC (depends on part No.)	Ambient humidity	35-85%RH (non-condensing)
Supply voltage	10...30 VDC	Voltage withstand	1000V/AC 50/60Hz 60s
Target	Opaque object	Insulation resistance	≥50MΩ(500VDC)
Hysteresis range [%/Sr]	3...20%	Vibration resistance	10...50Hz (0.5mm)
Repeat accuracy [R]	≤5%	Degree of protection	IP65
Load current	≤200mA	Housing material	Nickel-copper alloy
Residual voltage	≤2.5V	Connection type	2m PVC cable

Dimensions



Wiring diagram



Metal cylindrical shape photoelectric sensors **PR18G** series



Features

- ◆ Diffuse reflection working principle;
- ◆ Excellent anti-interference performance
- ◆ High detection accuracy



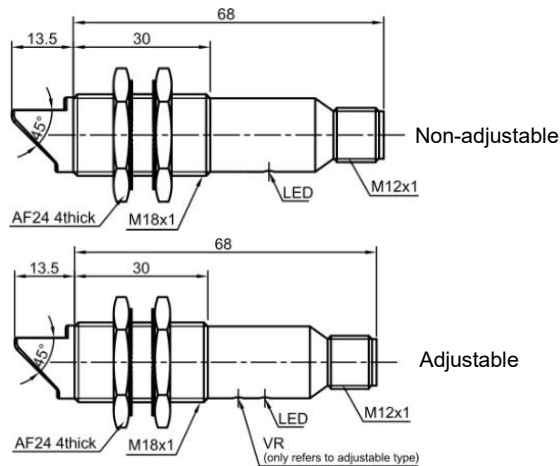
Part number

NPN NO	PR18G-BC10DNO-E2	PR18G-BC40DNO-E2	PNP NO	PR18G-BC10DPO-E2	PR18G-BC40DPO-E2
NPN NC	PR18G-BC10DNC-E2	PR18G-BC40DNC-E2	PNP NC	PR18G-BC10DPC-E2	PR18G-BC40DPC-E2
NPN NO+NC	PR18G-BC10DNR-E2	PR18G-BC40DNR-E2	PNP NO+NC	PR18G-BC10DPR-E2	PR18G-BC40DPR-E2

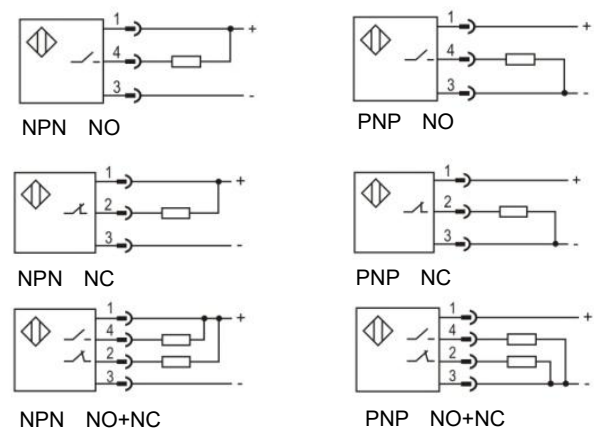
Technical specifications

Detection type	Diffuse reflection	Consumption current	≤25mA
Rated distance [Sn]	10cm (non-adjustable) 40cm (adjustable)	Circuit protection	Short-circuit, overload and reverse polarity
Standard target	White card reflection rate 90%	Response time	< 8.2ms
Light source	Infrared LED (880nm)	Output indicator	Yellow LED
Dimensions	M18*81.5mm	Ambient temperature	-15°C...+55°C
Output	NO/NC (depends on part No.)	Ambient humidity	35-85%RH (non-condensing)
Supply voltage	10...30 VDC	Voltage withstand	1000V/AC 50/60Hz 60s
Target	Opaque object	Insulation resistance	≥50MΩ(500VDC)
Hysteresis range [%/Sr]	3...20%	Vibration resistance	10...50Hz (0.5mm)
Repeat accuracy [R]	≤5%	Degree of protection	IP65
Load current	≤200mA	Housing material	Nickel-copper alloy
Residual voltage	≤2.5V	Connection type	M12 Connector

Dimensions



Wiring diagram



Plastic cylindrical shape photoelectric sensors **PR18GS** series



Features

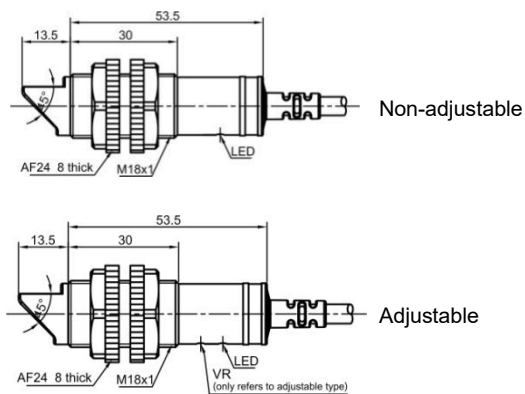
- ◆ Diffuse reflection working principle;
- ◆ Excellent anti-interference performance;
- ◆ High detection accuracy.



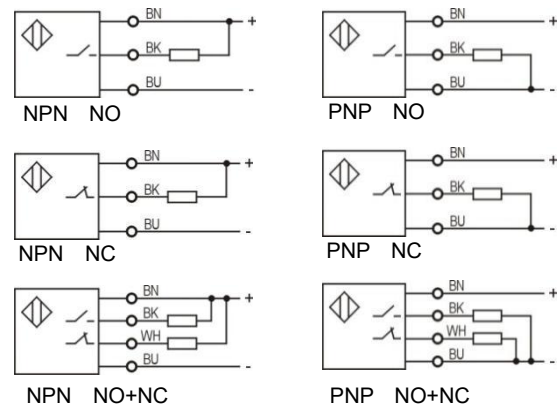
Part number					
NPN NO	PR18GS-BC10DNO	PR18GS-BC40DNO	PNP NO	PR18GS-BC10DPO	PR18GS-BC40DPO
NPN NC	PR18GS-BC10DNC	PR18GS-BC40DNC	PNP NC	PR18GS-BC10DPC	PR18GS-BC40DPC
NPN NO+NC	PR18GS-BC10DNR	PR18GS-BC40DNR	PNPNO+NC	PR18GS-BC10DPR	PR18GS-BC40DPR

Technical specifications			
Detection type	Diffuse reflection	Consumption current	≤25mA
Rated distance [Sn]	10cm (non-adjustable) 40cm(adjustable)	Circuit protection	Short-circuit, overload and reverse polarity
Standard target	White card reflection rate 90%	Response time	<8.2ms
Light source	Infrared LED (880nm)	Output indicator	Yellow LED
Dimensions	M18*67mm	Ambient temperature	-15℃...+55℃
Output	NO/NC (depends on part No.)	Ambient humidity	35-85%RH (non-condensing)
Supply voltage	10...30 VDC	Voltage withstand	1000V/AC 50/60Hz 60s
Target	Opaque object	Insulation resistance	≥50MΩ(500VDC)
Hysteresis range [%/Sr]	3...20%	Vibration resistance	10...50Hz (0.5mm)
Repeat accuracy [R]	≤5%	Degree of protection	IP65
Load current	≤200mA	Housing material	PBT
Residual voltage	≤2.5V	Connection type	2m PVC cable

Dimensions



Wiring diagram



Metal cylindrical shape photoelectric sensors **PR18** series



Features

- ◆ Diffuse reflection working principle;
- ◆ Excellent anti-interference performance
- ◆ High detection accuracy



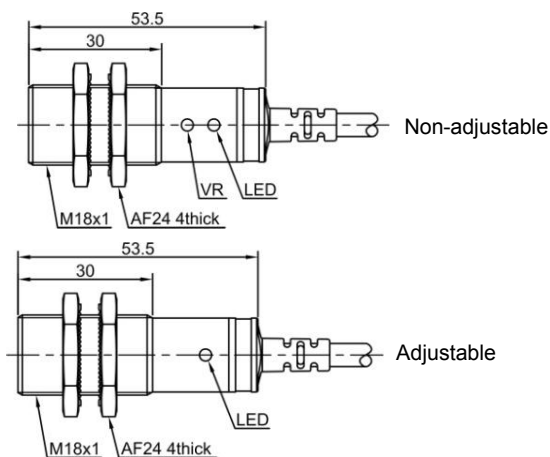
Part number

NPN NO	PR18-BC10DNO	PR18-BC40DNO	PNP NO	PR18-BC10DPO	PR18-BC40DPO
NPN NC	PR18-BC10DNC	PR18-BC40DNC	PNP NC	PR18-BC10DPC	PR18-BC40DPC
NPN NO+NC	PR18-BC10DNR	PR18-BC40DNR	PNP NO+NC	PR18-BC10DPR	PR18-BC40DPR

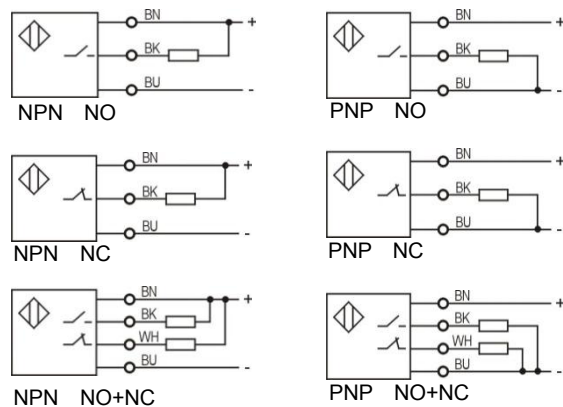
Technical specifications

Detection type	Diffuse reflection	Consumption current	≤25mA
Rated distance [Sn]	10cm (non-adjustable) 40cm (adjustable)	Circuit protection	Short-circuit, overload and reverse polarity
Standard target	White card reflection rate 90%	Response time	< 8.2ms
Light source	Infrared LED (880nm)	Output indicator	Yellow LED
Dimensions	M18*53.5mm	Ambient temperature	-15°C...+55°C
Output	NO/NC (depends on part No.)	Ambient humidity	35-85%RH (non-condensing)
Supply voltage	10...30 VDC	Voltage withstand	1000V/AC 50/60Hz 60s
Target	Opaque object	Insulation resistance	≥50MΩ(500VDC)
Hysteresis range [%/Sr]	3...20%	Vibration resistance	10...50Hz (0.5mm)
Repeat accuracy [R]	≤5%	Degree of protection	IP67
Load current	≤200mA	Housing material	Nickel-copper alloy
Residual voltage	≤2.5V	Connection type	2m PVC cable

Dimensions



Wiring diagram



Metal cylindrical shape photoelectric sensors **PR18** series



Features

- ◆ Diffuse reflection working principle;
- ◆ Excellent anti-interference performance
- ◆ High detection accuracy



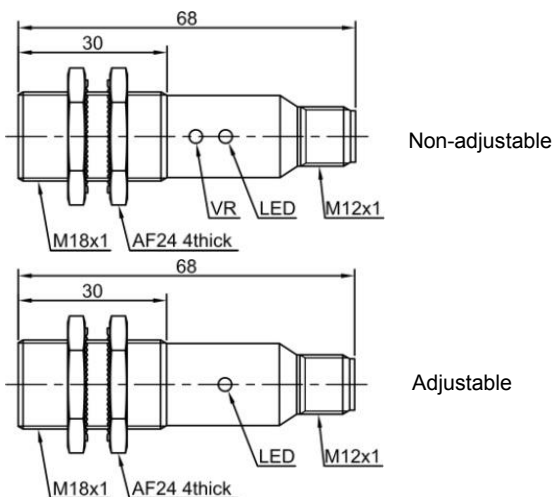
Part number

NPN NO	PR18-BC10DNO-E2	PR18-BC40DNO-E2	PNP NO	PR18-BC10DPO-E2	PR18-BC40DPO-E2
NPN NC	PR18-BC10DNC-E2	PR18-BC40DNC-E2	PNP NC	PR18-BC10DPC-E2	PR18-BC40DPC-E2
NPN NO+NC	PR18-BC10DNR-E2	PR18-BC40DNR-E2	PNP NO+NC	PR18-BC10DPR-E2	PR18-BC40DPR-E2

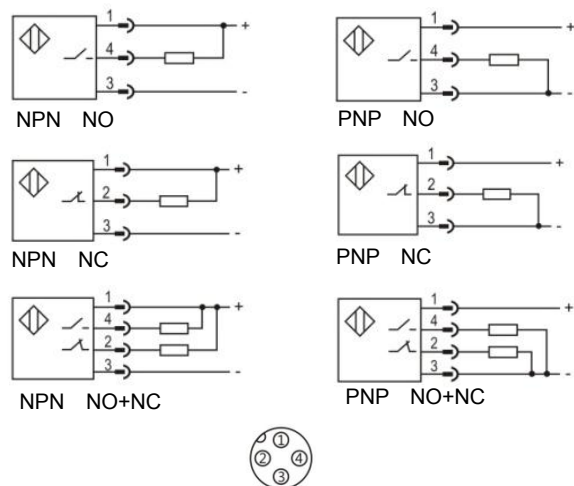
Technical specifications

Detection type	Diffuse reflection	Consumption current	≤25mA
Rated distance [Sn]	10cm (non-adjustable) 40cm (adjustable)	Circuit protection	Short-circuit, overload and reverse polarity
Standard target	White card reflection rate 90%	Response time	< 8.2ms
Light source	Infrared LED (880nm)	Output indicator	Yellow LED
Dimensions	M18*68mm	Ambient temperature	-15°C...+55°C
Output	NO/NC (depends on part No.)	Ambient humidity	35-85%RH (non-condensing)
Supply voltage	10...30 VDC	Voltage withstand	1000V/AC 50/60Hz 60s
Target	Opaque object	Insulation resistance	≥50MΩ(500VDC)
Hysteresis range [%/Sr]	3...20%	Vibration resistance	10...50Hz (0.5mm)
Repeat accuracy [R]	≤5%	Degree of protection	IP67
Load current	≤200mA	Housing material	Nickel-copper alloy
Residual voltage	≤2.5V	Connection type	M12 Connector

Dimensions



Wiring diagram



Plastic cylindrical shape photoelectric sensors **PR18S** series



Features

- ◆ Retro reflection working principle;
- ◆ Excellent anti-interference performance
- ◆ High detection accuracy



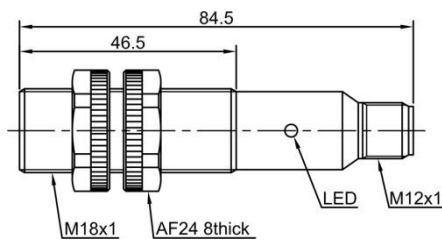
Part number

AC 2 wires NO	PR18S-DM3ATO-E2	AC 2 wires NC	PR18S-DM3ATC-E2
---------------	-----------------	---------------	-----------------

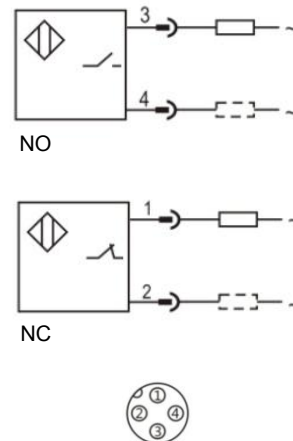
Technical specifications

Detection type	Retro reflection	Consumption current	≤3mA
Rated distance [Sn]	3m (non-adjustable)	Circuit protection
Standard target	TD-09 reflector	Response time	< 50ms
Light source	Infrared LED (880nm)	Output indicator	Yellow LED
Dimensions	M18*84.5mm	Ambient temperature	-15°C...+55°C
Output	NO/NC (depends on part No.)	Ambient humidity	35-85%RH (non-condensing)
Supply voltage	20...250 VAC	Voltage withstand	2000V/AC 50/60Hz 60s
Target	Opaque object	Insulation resistance	≥50MΩ(500VDC)
Hysteresis range [%/Sr]	Vibration resistance	10...50Hz (0.5mm)
Repeat accuracy [R]	≤5%	Degree of protection	IP67
Load current	≤300mA	Housing material	PBT
Residual voltage	≤10V	Connection type	M12 Connector

Dimensions



Wiring diagram



Plastic cylindrical shape photoelectric sensors **PR18S** series



Features

- ◆Retro reflection working principle;
- ◆Excellent anti-interference performance
- ◆High detection accuracy



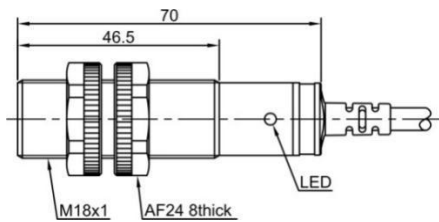
Part number

AC 2 wires NO	PR18S-DM3ATO	AC 2 wires NC	PR18S-DM3ATC
---------------	--------------	---------------	--------------

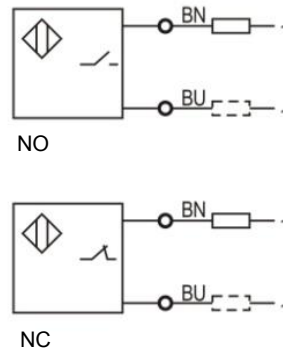
Technical specifications

Detection type	Retro reflection	Consumption current	≤3mA
Rated distance [Sn]	3m (non-adjustable)	Circuit protection
Standard target	TD-09 reflector	Response time	< 50ms
Light source	Infrared LED (880nm)	Output indicator	Yellow LED
Dimensions	M18*70mm	Ambient temperature	-15°C...+55°C
Output	NO/NC (depends on part No.)	Ambient humidity	35-85%RH (non-condensing)
Supply voltage	20...250 VAC	Voltage withstand	2000V/AC 50/60Hz 60s
Target	Opaque object	Insulation resistance	≥50MΩ(500VDC)
Hysteresis range [%/Sr]	Vibration resistance	10...50Hz (0.5mm)
Repeat accuracy [R]	≤5%	Degree of protection	IP67
Load current	≤300mA	Housing material	PBT
Residual voltage	≤10V	Connection type	2m PVC cable

Dimensions



Wiring diagram



Metal cylindrical shape photoelectric sensors **PR18G** series



Features

- ◆ Retro reflection working principle;
- ◆ Excellent anti-interference performance
- ◆ High detection accuracy



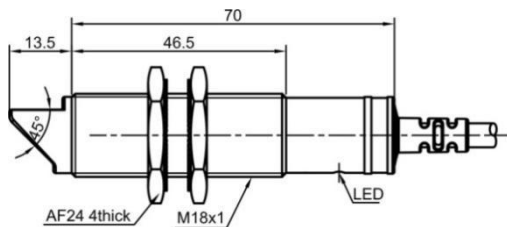
Part number

AC 2 wires NO	PR18G-DM3ATO	AC 2 wires NC	PR18G-DM3ATC
---------------	--------------	---------------	--------------

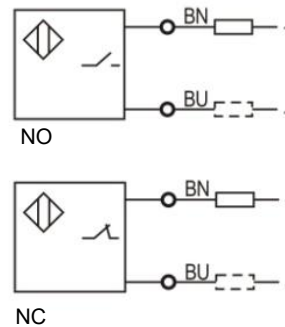
Technical specifications

Detection type	Retro reflection	Consumption current	≤3mA
Rated distance [Sn]	3m (non-adjustable)	Circuit protection
Standard target	TD-09 reflector	Response time	< 50ms
Light source	Infrared LED (880nm)	Output indicator	Yellow LED
Dimensions	M18*83.5mm	Ambient temperature	-15°C...+55°C
Output	NO/NC (depends on part No.)	Ambient humidity	35-85%RH (non-condensing)
Supply voltage	20...250 VAC	Voltage withstand	2000V/AC 50/60Hz 60s
Target	Opaque object	Insulation resistance	≥50MΩ(500VDC)
Hysteresis range [%/Sr]	Vibration resistance	10...50Hz (0.5mm)
Repeat accuracy [R]	≤5%	Degree of protection	IP65
Load current	≤300mA	Housing material	Nickel-copper alloy
Residual voltage	≤10V	Connection type	2m PVC cable

Dimensions



Wiring diagram



Metal cylindrical shape photoelectric sensors **PR18** series



Features

- ◆ Retro reflection working principle;
- ◆ Excellent anti-interference performance
- ◆ High detection accuracy



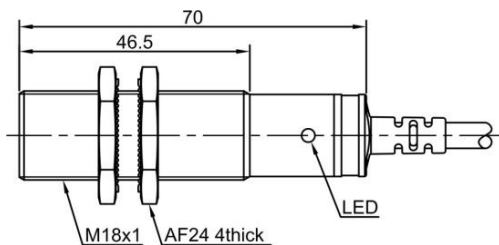
Part number

AC 2 wires NO	PR18-DM3ATO	AC 2 wires NC	PR18-DM3ATC
---------------	-------------	---------------	-------------

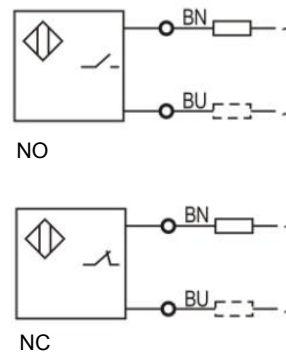
Technical specifications

Detection type	Retro reflection	Consumption current	≤3mA
Rated distance [Sn]	3m (non-adjustable)	Circuit protection
Standard target	TD-09 reflector	Response time	< 50ms
Light source	Infrared LED (880nm)	Output indicator	Yellow LED
Dimensions	M18*70mm	Ambient temperature	-15°C...+55°C
Output	NO/NC (depends on part No.)	Ambient humidity	35-85%RH (non-condensing)
Supply voltage	20...250 VAC	Voltage withstand	2000V/AC 50/60Hz 60s
Target	Opaque object	Insulation resistance	≥50MΩ(500VDC)
Hysteresis range [%/Sr]	Vibration resistance	10...50Hz (0.5mm)
Repeat accuracy [R]	≤5%	Degree of protection	IP67
Load current	≤300mA	Housing material	Nickel-copper alloy
Residual voltage	≤10V	Connection type	2m PVC cable

Dimensions



Wiring diagram



Metal cylindrical shape photoelectric sensors **PR18** series



Features

- ◆ Retro reflection working principle;
- ◆ Excellent anti-interference performance
- ◆ High detection accuracy



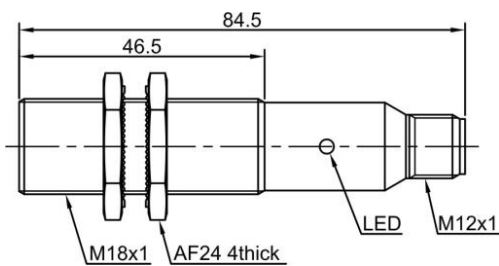
Part number

AC 2 wires NO	PR18-DM3ATO-E2	AC 2 wires NC	PR18-DM3ATC-E2
---------------	----------------	---------------	----------------

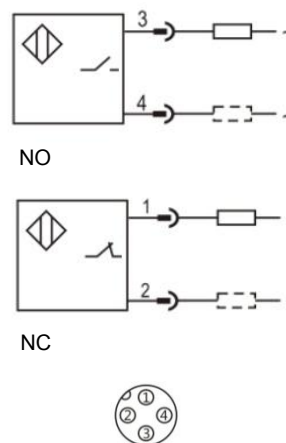
Technical specifications

Detection type	Retro reflection	Consumption current	≤3mA
Rated distance [Sn]	3m (non-adjustable)	Circuit protection
Standard target	TD-09 reflector	Response time	< 50ms
Light source	Infrared LED (880nm)	Output indicator	Yellow LED
Dimensions	M18*84.5mm	Ambient temperature	-15°C...+55°C
Output	NO/NC (depends on part No.)	Ambient humidity	35-85%RH (non-condensing)
Supply voltage	20...250 VAC	Voltage withstand	2000V/AC 50/60Hz 60s
Target	Opaque object	Insulation resistance	≥50MΩ(500VDC)
Hysteresis range [%/Sr]	Vibration resistance	10...50Hz (0.5mm)
Repeat accuracy [R]	≤5%	Degree of protection	IP67
Load current	≤300mA	Housing material	Nickel-copper alloy
Residual voltage	≤10V	Connection type	M12 Connector

Dimensions



Wiring diagram



Metal cylindrical shape photoelectric sensors **PR18G** series



Features

- ◆ Retro reflection working principle;
- ◆ Excellent anti-interference performance
- ◆ High detection accuracy



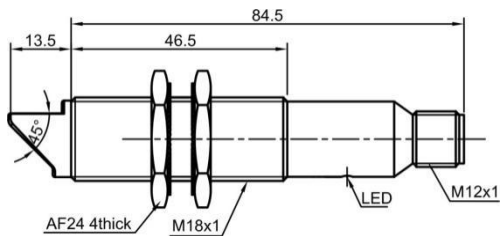
Part number

AC 2 wires NO	PR18G-DM3ATO-E2	AC 2 wires NC	PR18G-DM3ATC-E2
---------------	-----------------	---------------	-----------------

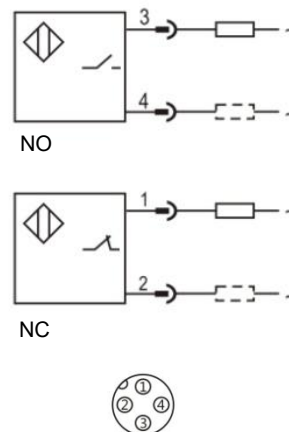
Technical specifications

Detection type	Retro reflection	Consumption current	≤3mA
Rated distance [Sn]	3m (non-adjustable)	Circuit protection
Standard target	TD-09 reflector	Response time	< 50ms
Light source	Infrared LED (880nm)	Output indicator	Yellow LED
Dimensions	M18*98mm	Ambient temperature	-15°C...+55°C
Output	NO/NC (depends on part No.)	Ambient humidity	35-85%RH (non-condensing)
Supply voltage	20...250 VAC	Voltage withstand	2000V/AC 50/60Hz 60s
Target	Opaque object	Insulation resistance	≥50MΩ(500VDC)
Hysteresis range [%/Sr]	Vibration resistance	10...50Hz (0.5mm)
Repeat accuracy [R]	≤5%	Degree of protection	IP65
Load current	≤300mA	Housing material	Nickel-copper alloy
Residual voltage	≤10V	Connection type	M12 Connector

Dimensions



Wiring diagram



Plastic cylindrical shape photoelectric sensors **PR18GS** series



Features

- ◆ Through beam reflection working principle;
- ◆ Excellent anti-interference performance;
- ◆ High detection accuracy.



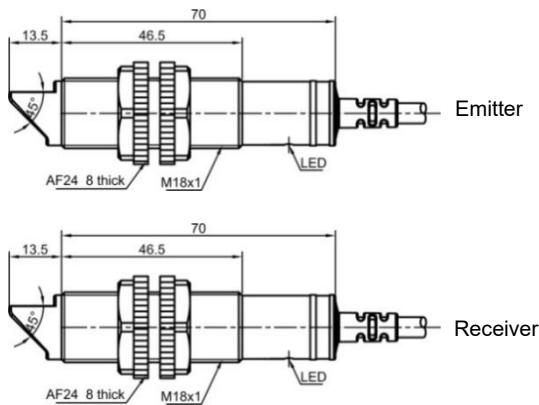
Part number

		Emitter		Receiver				Emitter		Receiver	
AC 2 wires	NO	PR18GS-TM10A	PR18GS-TM10ATO	AC 2 wires	NC	PR18GS-TM10A	PR18GS-TM10ATC				

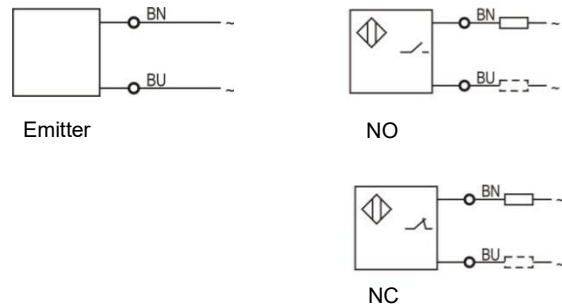
Technical specifications

Detection type	Through beam	Consumption current	≤3mA (receiver)
Rated distance [Sn]	10m (non-adjustable)	Circuit protection
Standard target	>φ15mm opaque object	Response time	<50ms
Light source	Infrared LED (880nm)	Output indicator	Emitter: Green LED Receiver: Yellow LED
Dimensions	M18*83.5mm	Ambient temperature	-15°C...+55°C
Output	NO/NC (depends on receiver)	Ambient humidity	35-85%RH (non-condensing)
Supply voltage	20...250 VAC	Voltage withstand	2000V/AC 50/60Hz 60s
Min target	Insulation resistance	≥50MΩ (500VDC)
Hysteresis range [%/Sr]	Vibration resistance	10...50Hz (0.5mm)
Repeat accuracy [R]	≤5%	Degree of protection	IP65
Load current	≤300mA (receiver)	Housing material	PBT
Residual voltage	≤10V (receiver)	Connection type	2m PVC cable

Dimensions



Wiring diagram



Metal cylindrical shape photoelectric sensors **PR18G** series



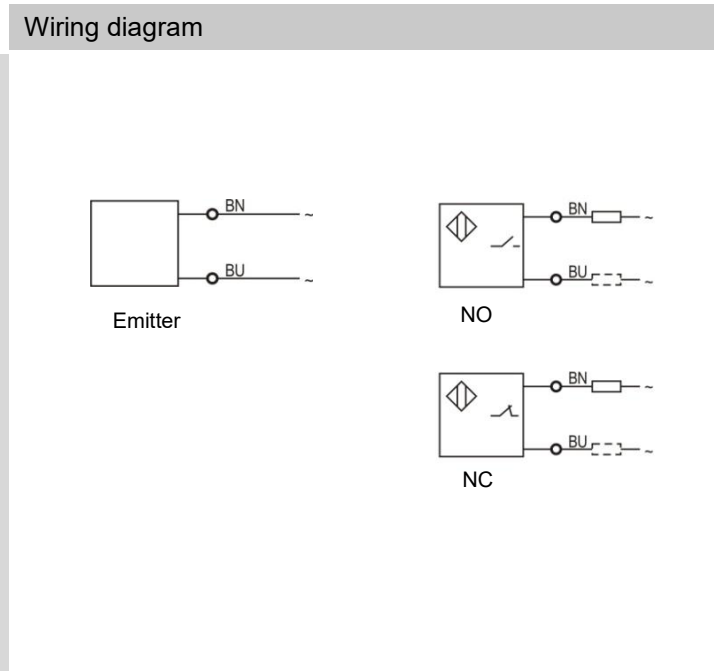
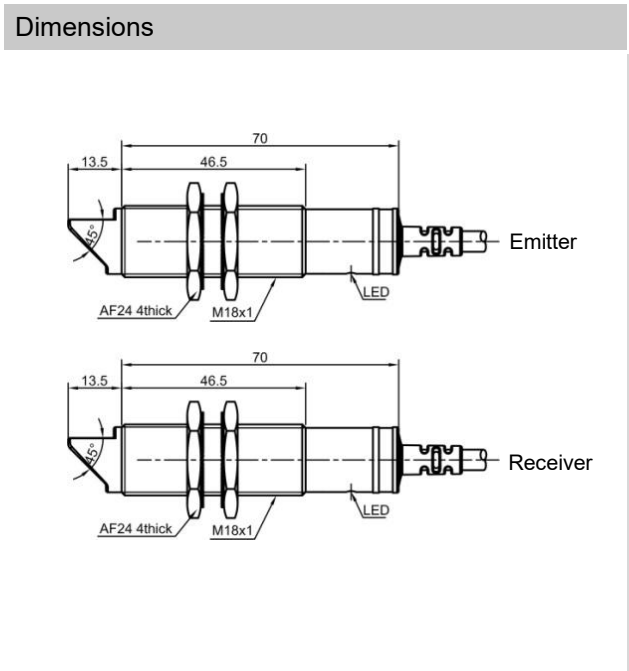
Features

- ◆ Through beam reflection working principle;
- ◆ Excellent anti-interference performance
- ◆ High detection accuracy



Part number		Emitter	Receiver	Emitter	Receiver		
AC 2 wires	NO	PR18G-TM10A	PR18G-TM10ATO	AC 2 wires	NC	PR18G-TM10A	PR18G-TM10ATC

Technical specifications			
Detection type	Through beam	Consumption current	≤3mA
Rated distance [Sn]	10m (non-adjustable)	Circuit protection
Standard target	> φ15mm opaque object	Response time	< 50ms
Light source	Infrared LED (880nm)	Output indicator	Emitter: Green LED Receiver: Yellow LED
Dimensions	M18*83.5mm	Ambient temperature	-15°C...+55°C
Output	NO/NC (depends on receiver)	Ambient humidity	35-85%RH (non-condensing)
Supply voltage	20...250 VAC	Voltage withstand	2000V/AC 50/60Hz 60s
Min target	Insulation resistance	≥50MΩ(500VDC)
Hysteresis range [%/Sr]	Vibration resistance	10...50Hz (0.5mm)
Repeat accuracy [R]	≤5%	Degree of protection	IP65
Load current	≤300mA (receiver)	Housing material	Nickel-copper alloy
Residual voltage	≤10V (receiver)	Connection type	2m PVC cable



Metal cylindrical shape photoelectric sensors **PR18G** series



Features

- ◆ Through beam reflection working principle;
- ◆ Excellent anti-interference performance
- ◆ High detection accuracy



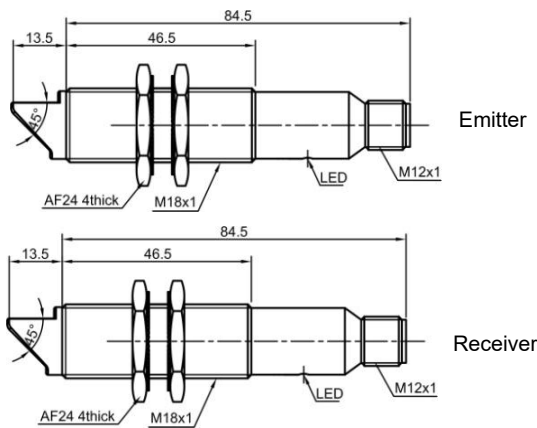
Part number

		Emitter	Receiver			Emitter	Receiver
AC 2 wires	NO	PR18G-TM10A-E2	PR18G-TM10ATO-E2	AC 2 wires	NC	PR18G-TM10A-E2	PR18G-TM10ATC-E2

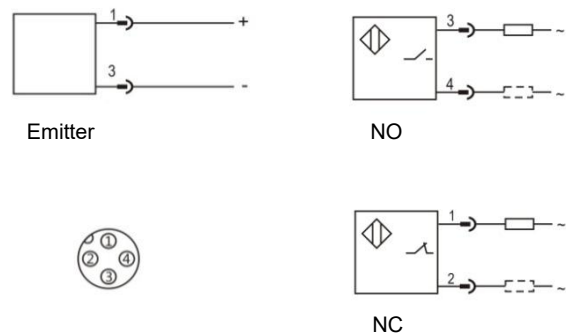
Technical specifications

Detection type	Through beam	Consumption current	≤3mA
Rated distance [Sn]	10m (non-adjustable)	Circuit protection
Standard target	>φ15mm opaque object	Response time	< 50ms
Light source	Infrared LED (880nm)	Output indicator	Emitter: Green LED Receiver: Yellow LED
Dimensions	M18*98mm	Ambient temperature	-15°C...+55°C
Output	NO/NC (depends on receiver)	Ambient humidity	35-85%RH (non-condensing)
Supply voltage	20...250 VAC	Voltage withstand	2000V/AC 50/60Hz 60s
Min target	Insulation resistance	≥50MΩ(500VDC)
Hysteresis range [%/Sr]	Vibration resistance	10...50Hz (0.5mm)
Repeat accuracy [R]	≤5%	Degree of protection	IP65
Load current	≤300mA (receiver)	Housing material	Nickel-copper alloy
Residual voltage	≤10V (receiver)	Connection type	M12 Connector

Dimensions



Wiring diagram



Plastic cylindrical shape photoelectric sensors **PR18GS** series



Features

- ◆ Through beam reflection working principle;
- ◆ Excellent anti-interference performance;
- ◆ High detection accuracy.



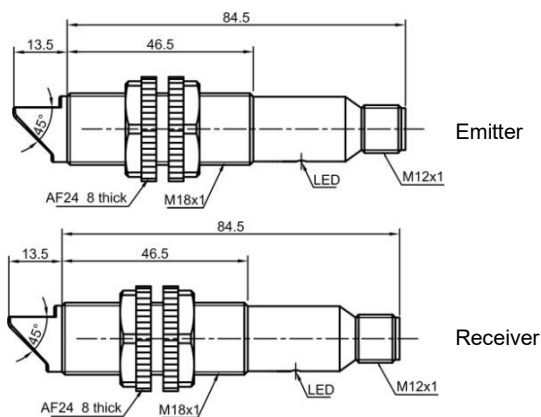
Part number

	Emitter	Receiver		Emitter	Receiver
AC 2 wires NO	PR18GS-TM10A-E2	PR18GS-TM10ATO-E2	AC 2 wires NC	PR18GS-TM10A-E2	PR18GS-TM10ATC-E2

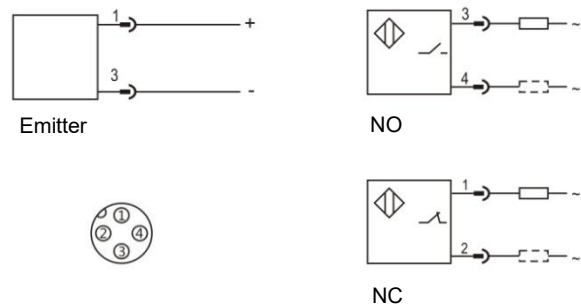
Technical specifications

Detection type	Through beam	Consumption current	≤3mA (receiver)
Rated distance [Sn]	10m (non-adjustable)	Circuit protection
Standard target	>φ15mm opaque object	Response time	<50ms
Light source	Infrared LED (880nm)	Output indicator	Emitter: Green LED Receiver: Yellow LED
Dimensions	M18*98mm	Ambient temperature	-15°C...+55°C
Output	NO/NC (depends on receiver)	Ambient humidity	35-85%RH (non-condensing)
Supply voltage	20...250 VAC	Voltage withstand	2000V/AC 50/60Hz 60s
Min target	Insulation resistance	≥50MΩ (500VDC)
Hysteresis range [%/Sr]	Vibration resistance	10...50Hz (0.5mm)
Repeat accuracy [R]	≤5%	Degree of protection	IP65
Load current	≤300mA (receiver)	Housing material	PBT
Residual voltage	≤10V (receiver)	Connection type	M12 Connector

Dimensions



Wiring diagram



Metal cylindrical shape photoelectric sensors **PR18** series



Features

- ◆ Through beam reflection working principle;
- ◆ Excellent anti-interference performance
- ◆ High detection accuracy



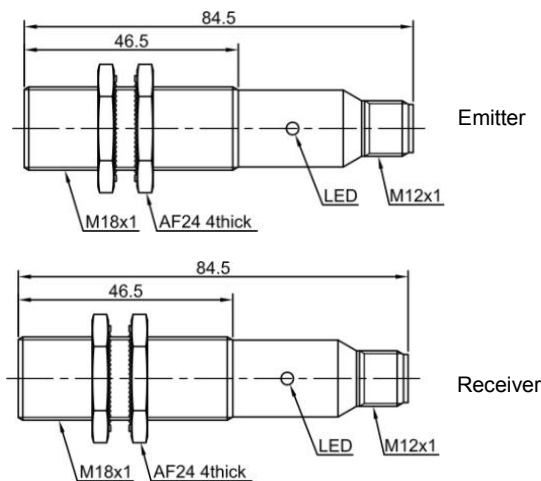
Part number

		Emitter	Receiver			Emitter	Receiver
AC 2 wires	NO	PR18-TM10A-E2	PR18-TM10ATO-E2	AC 2 wires	NC	PR18-TM10A-E2	PR18-TM10ATC-E2

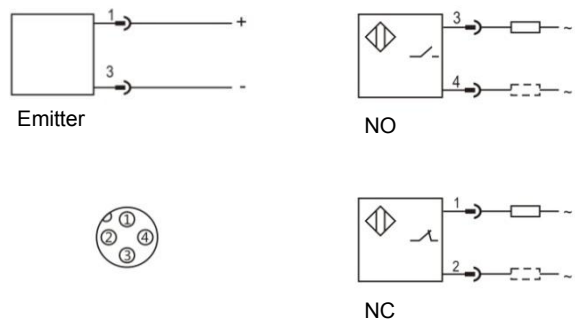
Technical specifications

Detection type	Through beam	Consumption current	≤3mA
Rated distance [Sn]	10m (non-adjustable)	Circuit protection
Standard target	> φ15mm opaque object	Response time	< 50ms
Light source	Infrared LED (880nm)	Output indicator	Emitter: Green LED Receiver: Yellow LED
Dimensions	M18*84.5mm	Ambient temperature	-15°C...+55°C
Output	NO/NC (depends on receiver)	Ambient humidity	35-85%RH (non-condensing)
Supply voltage	20...250 VAC	Voltage withstand	2000V/AC 50/60Hz 60s
Min target	Insulation resistance	≥50MΩ(500VDC)
Hysteresis range [%/Sr]	Vibration resistance	10...50Hz (0.5mm)
Repeat accuracy [R]	≤5%	Degree of protection	IP67
Load current	≤300mA (receiver)	Housing material	Nickel-copper alloy
Residual voltage	≤10V (receiver)	Connection type	M12 Connector

Dimensions



Wiring diagram



Metal cylindrical shape photoelectric sensors **PR18S** series



Features

- ◆ Through beam reflection working principle;
- ◆ Excellent anti-interference performance
- ◆ High detection accuracy



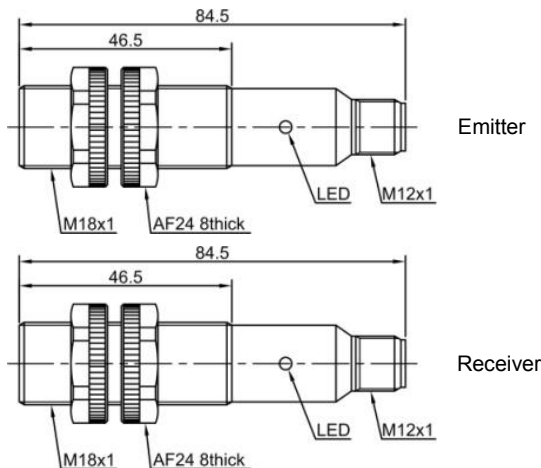
Part number

Emitter		Receiver		Emitter		Receiver	
AC 2 wires	NO	PR18S-TM10A-E2	PR18S-TM10ATO-E2	AC 2 wires	NC	PR18S-TM10A-E2	PR18S-TM10ATC-E2

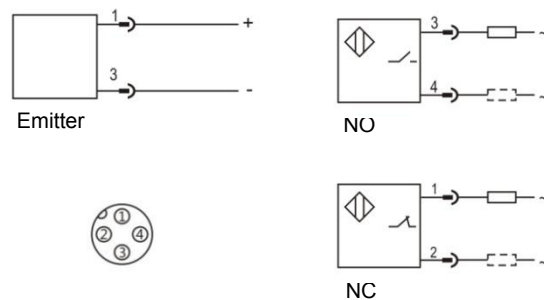
Technical specifications

Detection type	Through beam	Consumption current	≤3mA(receiver)
Rated distance [Sn]	10m (non-adjustable)	Circuit protection
Standard target	>φ15mm opaque object	Response time	< 50ms
Light source	Infrared LED (880nm)	Output indicator	Emitter: Green LED Receiver: Yellow LED
Dimensions	M18*84.5mm	Ambient temperature	-15°C...+55°C
Output	NO/NC (depends on receiver)	Ambient humidity	35-85%RH (non-condensing)
Supply voltage	20...250 VAC	Voltage withstand	2000V/AC 50/60Hz 60s
Min target	Insulation resistance	≥50MΩ(500VDC)
Hysteresis range [%/Sr]	Vibration resistance	10...50Hz (0.5mm)
Repeat accuracy [R]	≤5%	Degree of protection	IP67
Load current	≤300mA (receiver)	Housing material	PBT
Residual voltage	≤10V (receiver)	Connection type	M12 Connector

Dimensions



Wiring diagram



Plastic cylindrical shape photoelectric sensors **PR18S** series



Features

- ◆ Through beam reflection working principle;
- ◆ Excellent anti-interference performance
- ◆ High detection accuracy



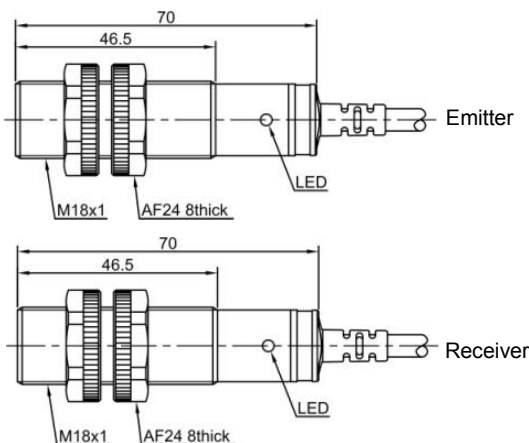
Part number

		Emitter		Receiver				Emitter		Receiver	
AC 2 wires	NO	PR18S-TM10A	PR18S-TM10ATO	AC 2 wires	NC	PR18S-TM10A	PR18S-TM10ATC				

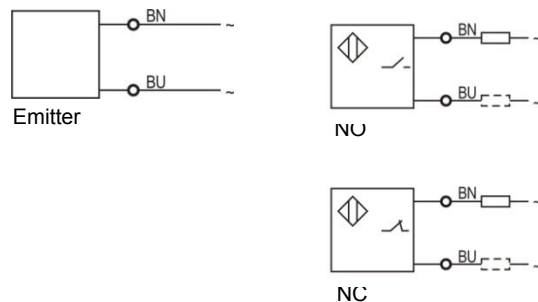
Technical specifications

Detection type	Through beam	Consumption current	≤3mA (receiver)
Rated distance [Sn]	10m (non-adjustable)	Circuit protection
Standard target	>φ15mm opaque object	Response time	< 50ms
Light source	Infrared LED (880nm)	Output indicator	Emitter: Green LED Receiver: Yellow LED
Dimensions	M18*70mm	Ambient temperature	-15°C...+55°C
Output	NO/NC (depends on receiver)	Ambient humidity	35-85%RH (non-condensing)
Supply voltage	20...250 VAC	Voltage withstand	2000V/AC 50/60Hz 60s
Min target	Insulation resistance	≥50MΩ(500VDC)
Hysteresis range [%/Sr]	Vibration resistance	10...50Hz (0.5mm)
Repeat accuracy [R]	≤5%	Degree of protection	IP67
Load current	≤300mA (receiver)	Housing material	PBT
Residual voltage	≤10V (receiver)	Connection type	2m PVC cable

Dimensions



Wiring diagram



Metal cylindrical shape photoelectric sensors **PR18** series



Features

- ◆ Through beam reflection working principle;
- ◆ Excellent anti-interference performance
- ◆ High detection accuracy



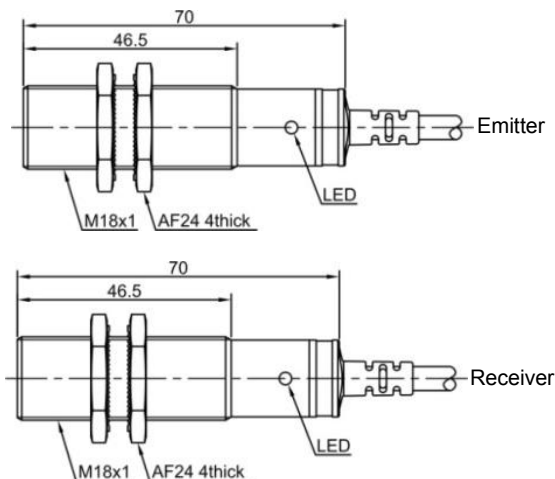
Part number

		Emitter		Receiver				Emitter		Receiver	
AC 2 wires	NO	PR18-TM10A		PR18-TM10ATO		AC 2 wires	NC	PR18-TM10A		PR18-TM10ATC	

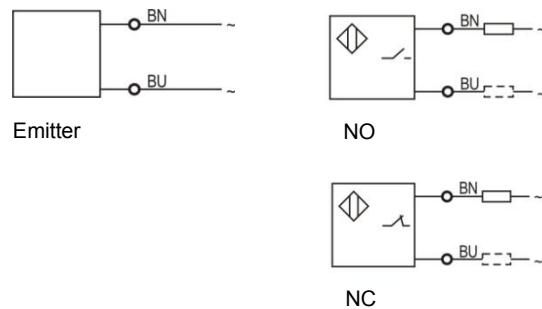
Technical specifications

Detection type	Through beam	Consumption current	≤3mA
Rated distance [Sn]	10m (non-adjustable)	Circuit protection
Standard target	> φ15mm opaque object	Response time	< 50ms
Light source	Infrared LED (880nm)	Output indicator	Emitter: Green LED Receiver: Yellow LED
Dimensions	M18*70mm	Ambient temperature	-15°C...+55°C
Output	NO/NC (depends on receiver)	Ambient humidity	35-85%RH (non-condensing)
Supply voltage	20...250 VAC	Voltage withstand	2000V/AC 50/60Hz 60s
Min target	Insulation resistance	≥50MΩ(500VDC)
Hysteresis range [%/Sr]	Vibration resistance	10...50Hz (0.5mm)
Repeat accuracy [R]	≤5%	Degree of protection	IP67
Load current	≤300mA (receiver)	Housing material	Nickel-copper alloy
Residual voltage	≤10V (receiver)	Connection type	2m PVC cable

Dimensions



Wiring diagram



Plastic cylindrical shape photoelectric sensors **PR18GS** series



Features

- ◆ Diffuse reflection working principle;
- ◆ Excellent anti-interference performance;
- ◆ High detection accuracy.



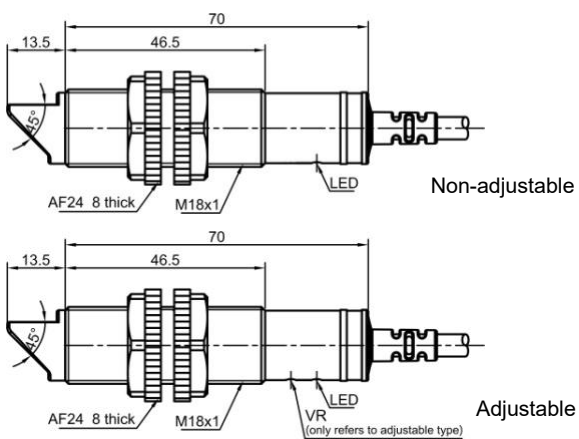
Part number

AC 2 wires NO	PR18GS-BC10ATO	PR18GS-BC40ATO	AC 2 wires NC	PR18GS-BC10ATC	PR18GS-BC40ATC
---------------	----------------	----------------	---------------	----------------	----------------

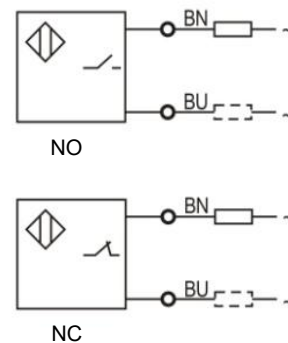
Technical specifications

Detection type	Diffuse reflection	Consumption current	≤3mA
Rated distance [Sn]	10cm (non-adjustable) 40cm (adjustable)	Circuit protection
Standard target	White card reflection rate 90%	Response time	<50ms
Light source	Infrared LED (880nm)	Output indicator	Yellow LED
Dimensions	M18*83.5mm	Ambient temperature	-15℃...+55℃
Output	NO/NC (depends on receiver)	Ambient humidity	35-85%RH (non-condensing)
Supply voltage	20...250 VAC	Voltage withstand	2000V/AC 50/60Hz 60s
Target	Opaque object	Insulation resistance	≥50MΩ(500VDC)
Hysteresis range [%/Sr]	3...20%	Vibration resistance	10...50Hz (0.5mm)
Repeat accuracy [R]	≤5%	Degree of protection	IP65
Load current	≤300mA	Housing material	PBT
Residual voltage	≤10V	Connection type	2m PVC cable

Dimensions



Wiring diagram



Metal cylindrical shape photoelectric sensors **PR18G** series



Features

- ◆ Diffuse reflection working principle;
- ◆ Excellent anti-interference performance
- ◆ High detection accuracy



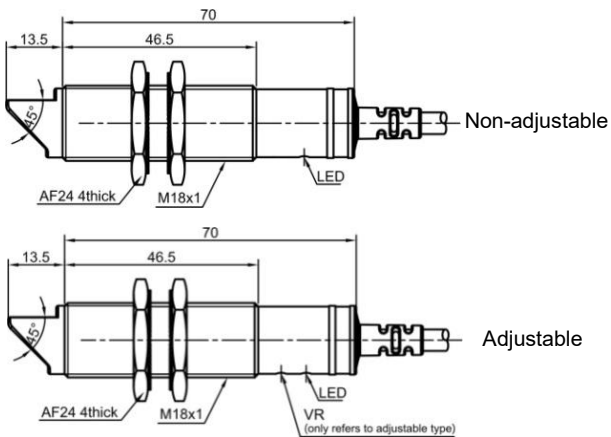
Part number

AC 2 wires NO	PR18G-BC10ATO	PR18G-BC40ATO	AC 2 wires NC	PR18G-BC10ATC	PR18G-BC40ATC
---------------	---------------	---------------	---------------	---------------	---------------

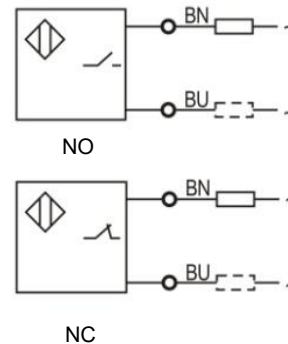
Technical specifications

Detection type	Diffuse reflection	Consumption current	≤3mA
Rated distance [Sn]	10cm (non-adjustable) 40cm (adjustable)	Circuit protection
Standard target	White card reflection rate 90%	Response time	< 50ms
Light source	Infrared LED (880nm)	Output indicator	Yellow LED
Dimensions	M18*83.5mm	Ambient temperature	-15°C...+55°C
Output	NO/NC (depends on part No.)	Ambient humidity	35-85%RH (non-condensing)
Supply voltage	20...250 VAC	Voltage withstand	2000V/AC 50/60Hz 60s
Target	Opaque object	Insulation resistance	≥50MΩ(500VDC)
Hysteresis range [%/Sr]	3...20%	Vibration resistance	10...50Hz (0.5mm)
Repeat accuracy [R]	≤5%	Degree of protection	IP65
Load current	≤300mA	Housing material	Nickel-copper alloy
Residual voltage	≤10V	Connection type	2m PVC cable

Dimensions



Wiring diagram



Metal cylindrical shape photoelectric sensors **PR18G** series



Features

- ◆ Diffuse reflection working principle;
- ◆ Excellent anti-interference performance
- ◆ High detection accuracy



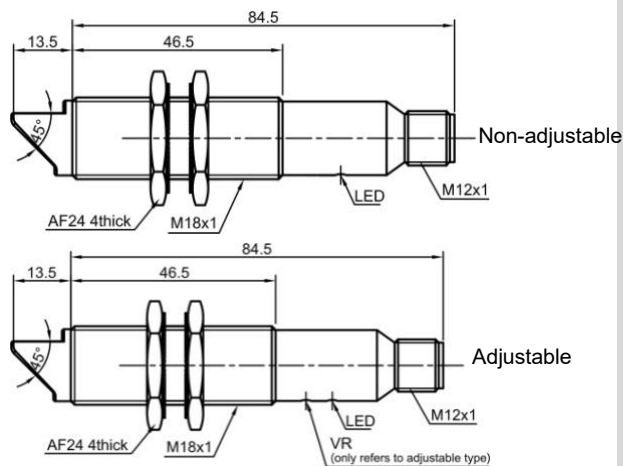
Part number

AC 2 wires NO	PR18G-BC10ATO-E2	PR18G-BC40ATO-E2	AC 2 wires NC	PR18G-BC10ATC-E2	PR18G-BC40ATC-E2
---------------	------------------	------------------	---------------	------------------	------------------

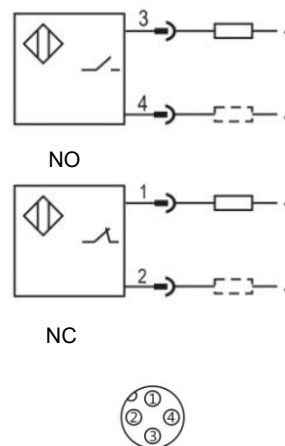
Technical specifications

Detection type	Diffuse reflection	Consumption current	≤3mA
Rated distance [Sn]	10cm (non-adjustable) 40cm (adjustable)	Circuit protection
Standard target	White card reflection rate 90%	Response time	< 50ms
Light source	Infrared LED (880nm)	Output indicator	Yellow LED
Dimensions	M18*98mm	Ambient temperature	-15°C...+55°C
Output	NO/NC (depends on part No.)	Ambient humidity	35-85%RH (non-condensing)
Supply voltage	20...250 VAC	Voltage withstand	2000V/AC 50/60Hz 60s
Target	Opaque object	Insulation resistance	≥50MΩ(500VDC)
Hysteresis range [%/Sr]	3...20%	Vibration resistance	10...50Hz (0.5mm)
Repeat accuracy [R]	≤5%	Degree of protection	IP65
Load current	≤300mA	Housing material	Nickel-copper alloy
Residual voltage	≤10V	Connection type	M12 Connector

Dimensions



Wiring diagram



Plastic cylindrical shape photoelectric sensors **PR18GS** series



Features

- ◆ Diffuse reflection working principle;
- ◆ Excellent anti-interference performance;
- ◆ High detection accurac.



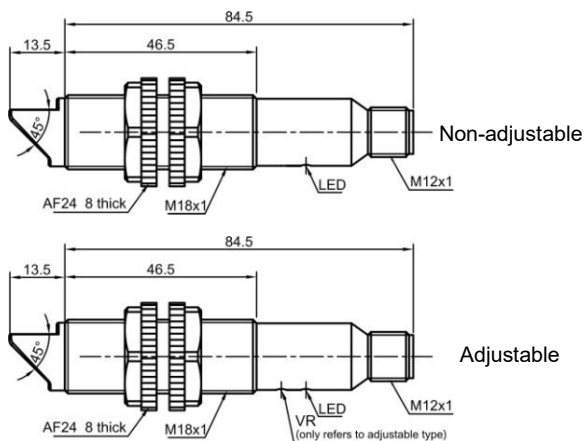
Part number

AC 2 wires NO PR18GS-BC10ATO-E2 PR18GS-BC40ATO-E2 AC 2 wires NC PR18GS-BC10ATC-E2 PR18GS-BC40ATC-E2

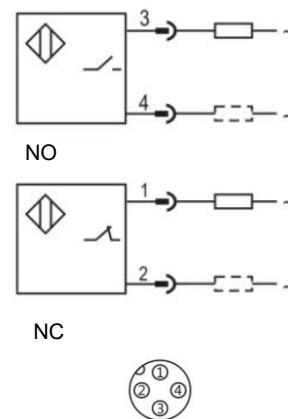
Technical specifications

Detection type	Diffuse reflection	Consumption current	≤3mA
Rated distance [Sn]	10cm (non-adjustable) 40cm (adjustable)	Circuit protection
Standard target	White card reflection rate 90%	Response time	<50ms
Light source	Infrared LED (880nm)	Output indicator	Yellow LED
Dimensions	M18*98mm	Ambient temperature	-15°C...+55°C
Output	NO/NC (depends on receiver)	Ambient humidity	35-85%RH (non-condensing)
Supply voltage	20...250 VAC	Voltage withstand	2000V/AC 50/60Hz 60s
Target	Opaque object	Insulation resistance	≥50MΩ(500VDC)
Hysteresis range [%/Sr]	3...20%	Vibration resistance	10...50Hz (0.5mm)
Repeat accuracy [R]	≤5%	Degree of protection	IP65
Load current	≤300mA	Housing material	PBT
Residual voltage	≤10V	Connection type	M12 Connector

Dimensions



Wiring diagram



Metal cylindrical shape photoelectric sensors **PR18** series



Features

- ◆ Diffuse reflection working principle;
- ◆ Excellent anti-interference performance
- ◆ High detection accuracy



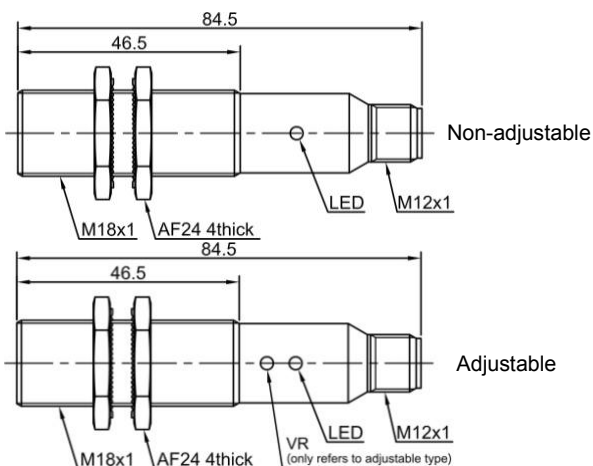
Part number

AC 2 wires NO	PR18-BC10ATO-E2	PR18-BC40ATO-E2	AC 2 wires NC	PR18-BC10ATC-E2	PR18-BC40ATC-E2
---------------	-----------------	-----------------	---------------	-----------------	-----------------

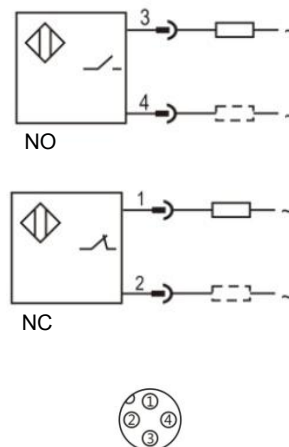
Technical specifications

Detection type	Diffuse reflection	Consumption current	≤3mA
Rated distance [Sn]	10cm (non-adjustable) 40cm (adjustable)	Circuit protection
Standard target	White card reflection rate 90%	Response time	< 50ms
Light source	Infrared LED (880nm)	Output indicator	Yellow LED
Dimensions	M18*84.5mm	Ambient temperature	-15°C...+55°C
Output	NO/NC (depends on part No.)	Ambient humidity	35-85%RH (non-condensing)
Supply voltage	20...250 VAC	Voltage withstand	2000V/AC 50/60Hz 60s
Target	Opaque object	Insulation resistance	≥50MΩ(500VDC)
Hysteresis range [%/Sr]	3...20%	Vibration resistance	10...50Hz (0.5mm)
Repeat accuracy [R]	≤5%	Degree of protection	IP67
Load current	≤300mA	Housing material	Nickel-copper alloy
Residual voltage	≤10V	Connection type	M12 Connector

Dimensions



Wiring diagram



Plastic cylindrical shape photoelectric sensors **PR18S** series



Features

- ◆ Diffuse reflection working principle;
- ◆ Excellent anti-interference performance
- ◆ High detection accuracy



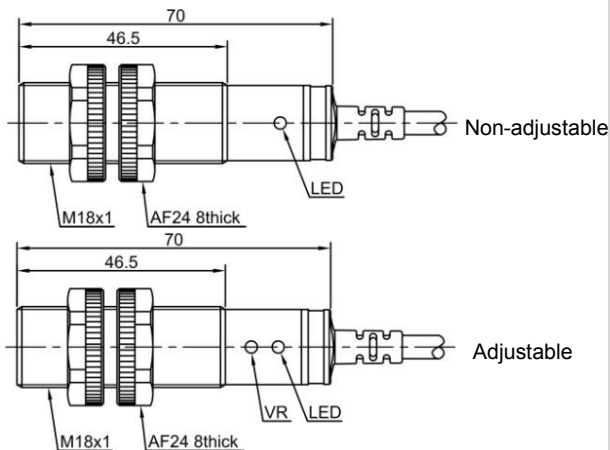
Part number

AC 2 wires NO	PR18S-BC10ATO	PR18S-BC40ATO	AC 2 wires NC	PR18S-BC10ATC	PR18S-BC40ATC
---------------	---------------	---------------	---------------	---------------	---------------

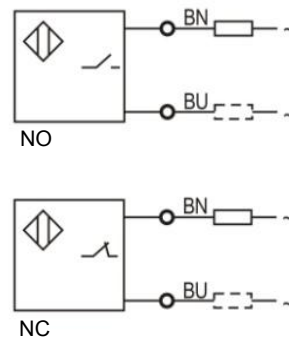
Technical specifications

Detection type	Diffuse reflection	Consumption current	≤3mA
Rated distance [Sn]	10cm (non-adjustable) 40cm (adjustable)	Circuit protection
Standard target	White card reflection rate 90%	Response time	< 50ms
Light source	Infrared LED (880nm)	Output indicator	Yellow LED
Dimensions	M18*70mm	Ambient temperature	-15°C...+55°C
Output	NO/NC (depends on receiver)	Ambient humidity	35-85%RH (non-condensing)
Supply voltage	20...250 VAC	Voltage withstand	2000V/AC 50/60Hz 60s
Target	Opaque object	Insulation resistance	≥50MΩ(500VDC)
Hysteresis range [%/Sr]	3...20%	Vibration resistance	10...50Hz (0.5mm)
Repeat accuracy [R]	≤5%	Degree of protection	IP67
Load current	≤300mA	Housing material	PBT
Residual voltage	≤10V	Connection type	2m PVC cable

Dimensions



Wiring diagram



Plastic cylindrical shape photoelectric sensors **PR18S** series



Features

- ◆ Diffuse reflection working principle;
- ◆ Excellent anti-interference performance
- ◆ High detection accuracy



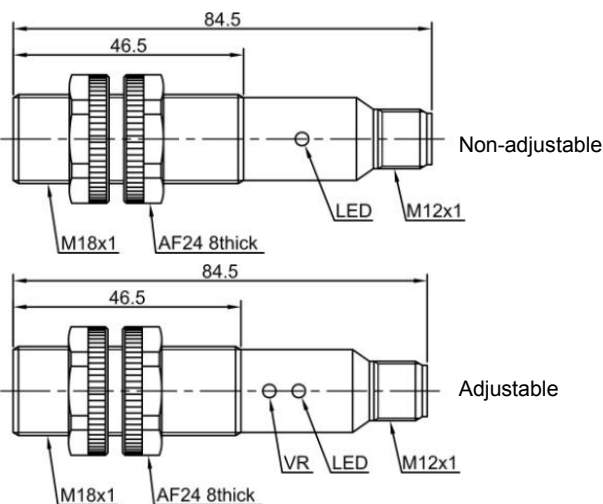
Part number

AC 2 wires NO	PR18S-BC10ATO-E2	PR18S-BC40ATO-E2	AC 2 wires NC	PR18S-BC10ATC-E2	PR18S-BC40ATC-E2
---------------	------------------	------------------	---------------	------------------	------------------

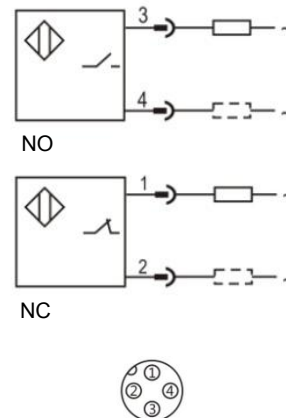
Technical specifications

Detection type	Diffuse reflection	Consumption current	≤3mA
Rated distance [Sn]	10cm (non-adjustable) 40cm (adjustable)	Circuit protection
Standard target	White card reflection rate 90%	Response time	< 50ms
Light source	Infrared LED (880nm)	Output indicator	Yellow LED
Dimensions	M18*84.5mm	Ambient temperature	-15°C...+55°C
Output	NO/NC (depends on receiver)	Ambient humidity	35-85%RH (non-condensing)
Supply voltage	20...250 VAC	Voltage withstand	2000V/AC 50/60Hz 60s
Target	Opaque object	Insulation resistance	≥50MΩ(500VDC)
Hysteresis range [%/Sr] ³	...20%	Vibration resistance	10...50Hz (0.5mm)
Repeat accuracy [R]	≤5%	Degree of protection	IP67
Load current	≤300mA	Housing material	PBT
Residual voltage	≤10V	Connection type	M12 Connector

Dimensions



Wiring diagram



Metal cylindrical shape photoelectric sensors **PR18** series



Features

- ◆ Diffuse reflection working principle;
- ◆ Excellent anti-interference performance
- ◆ High detection accuracy



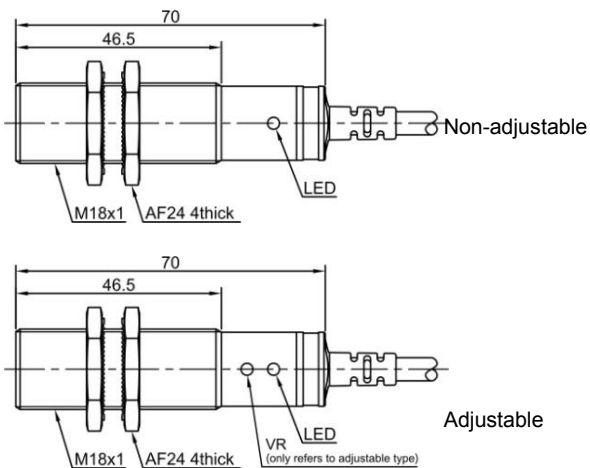
Part number

AC 2 wires NO	PR18-BC10ATO	PR18-BC40ATO	AC 2 wires NC	PR18-BC10ATC	PR18-BC40ATC
---------------	--------------	--------------	---------------	--------------	--------------

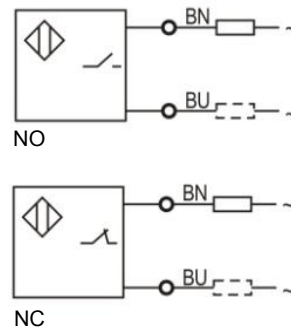
Technical specifications

Detection type	Diffuse reflection	Consumption current	≤3mA
Rated distance [Sn]	10cm (non-adjustable) 40cm (adjustable)	Circuit protection
Standard target	White card reflection rate 90%	Response time	< 50ms
Light source	Infrared LED (880nm)	Output indicator	Yellow LED
Dimensions	M18*70mm	Ambient temperature	-15°C...+55°C
Output	NO/NC (depends on part No.)	Ambient humidity	35-85%RH (non-condensing)
Supply voltage	20...250 VAC	Voltage withstand	2000V/AC 50/60Hz 60s
Target	Opaque object	Insulation resistance	≥50MΩ(500VDC)
Hysteresis range [%/Sr] ³	...20%	Vibration resistance	10...50Hz (0.5mm)
Repeat accuracy [R]	≤5%	Degree of protection	IP67
Load current	≤300mA	Housing material	Nickel-copper alloy
Residual voltage	≤10V	Connection type	2m PVC cable

Dimensions



Wiring diagram



Plastic cylindrical shape photoelectric sensors **PR18GS** series



Features

- ◆ Retro reflection working principle;
- ◆ Excellent anti-interference performance;
- ◆ High detection accuracy.



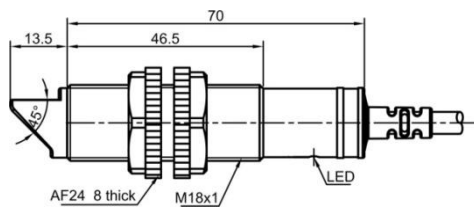
Part number

AC 2 wires NO	PR18GS-DM3ATO	AC 2 wires NC	PR18GS-DM3ATC
---------------	---------------	---------------	---------------

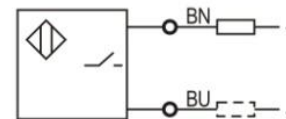
Technical specifications

Detection type	Retro reflection	Consumption current	≤3mA
Rated distance [Sn]	3m (non-adjustable)	Circuit protection
Standard target	TD-09 reflector	Response time	<50ms
Light source	Infrared LED (880nm)	Output indicator	Yellow LED
Dimensions	M18*83.5mm	Ambient temperature	-15°C...+55°C
Output	NO/NC (depends on part No.)	Ambient humidity	35-85%RH (non-condensing)
Supply voltage	20...250 VAC	Voltage withstand	2000V/AC 50/60Hz 60s
Target	Opaque object	Insulation resistance	≥50MΩ (500VDC)
Hysteresis range [%/Sr]	Vibration resistance	10...50Hz (0.5mm)
Repeat accuracy [R]	≤5%	Degree of protection	IP65
Load current	≤300mA	Housing material	PBT
Residual voltage	≤10V	Connection type	2m PVC cable

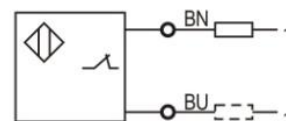
Dimensions



Wiring diagram



NO



NC

Plastic cylindrical shape photoelectric sensors **PR18GS** series



Features

- ◆ Retro reflection working principle;
- ◆ Excellent anti-interference performance;
- ◆ High detection accuracy.



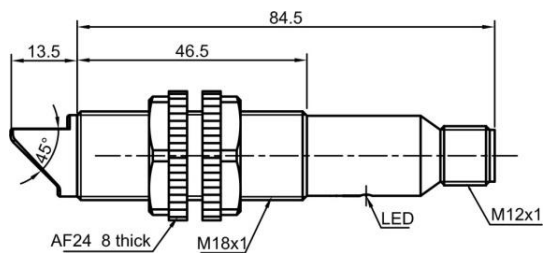
Part number

AC 2 wires NO	PR18GS-DM3ATO-E2	AC 2 wires NC	PR18GS-DM3ATC-E2
---------------	------------------	---------------	------------------

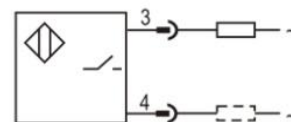
Technical specifications

Detection type	Retro reflection	Consumption current	≤3mA
Rated distance [Sn]	3m (non-adjustable)	Circuit protection
Standard target	TD-09 reflector	Response time	<50ms
Light source	Infrared LED (880nm)	Output indicator	Yellow LED
Dimensions	M18*98mm	Ambient temperature	-15°C...+55°C
Output	NO/NC (depends on part No.)	Ambient humidity	35-85%RH (non-condensing)
Supply voltage	20...250 VAC	Voltage withstand	2000V/AC 50/60Hz 60s
Target	Opaque object	Insulation resistance	≥50MΩ (500VDC)
Hysteresis range [%/Sr]	Vibration resistance	10...50Hz (0.5mm)
Repeat accuracy [R]	≤5%	Degree of protection	IP65
Load current	≤300mA	Housing material	PBT
Residual voltage	≤10V	Connection type	M12 Connector

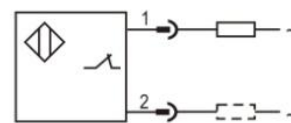
Dimensions



Wiring diagram



NO



NC



По вопросам продаж и поддержки обращайтесь:

Алматы (727)345-47-04
Ангарск (3955)60-70-56
Архангельск (8182)63-90-72
Астрахань (8512)99-46-04
Барнаул (3852)73-04-60
Белгород (4722)40-23-64
Благовещенск (4162)22-76-07
Брянск (4832)59-03-52
Владивосток (423)249-28-31
Владикавказ (8672)28-90-48
Владимир (4922)49-43-18
Волгоград (844)278-03-48
Вологда (8172)26-41-59
Воронеж (473)204-51-73
Екатеринбург (343)384-55-89

Иваново (4932)77-34-06
Ижевск (3412)26-03-58
Иркутск (395)279-98-46
Казань (843)206-01-48
Калининград (4012)72-03-81
Калуга (4842)92-23-67
Кемерово (3842)65-04-62
Киров (8332)68-02-04
Коломна (4966)23-41-49
Кострома (4942)77-07-48
Краснодар (861)203-40-90
Красноярск (391)204-63-61
Курск (4712)77-13-04
Курган (3522)50-90-47
Липецк (4742)52-20-81

Магнитогорск (3519)55-03-13
Москва (495)268-04-70
Мурманск (8152)59-64-93
Набережные Челны (8552)20-53-41
Новокузнецк (3843)20-46-81
Ноябрьск (3496)41-32-12
Новосибирск (383)227-86-73
Омск (3812)21-46-40
Орел (4862)44-53-42
Оренбург (3532)37-68-04
Пенза (8412)22-31-16
Петрозаводск (8142)55-98-37
Псков (8112)59-10-37
Пермь (342)205-81-47

Ростов-на-Дону (863)308-18-15
Рязань (4912)46-61-64
Самара (846)206-03-16
Санкт-Петербург (812)309-46-40
Саратов (845)249-38-78
Севастополь (8692)22-31-93
Саранск (8342)22-96-24
Симферополь (3652)67-13-56
Смоленск (4812)29-41-54
Сочи (862)225-72-31
Ставрополь (8652)20-65-13
Сургут (3462)77-98-35
Сыктывкар (8212)25-95-17
Тамбов (4752)50-40-97
Тверь (4822)63-31-35

Тольятти (8482)63-91-07
Томск (3822)98-41-53
Тула (4872)33-79-87
Тюмень (3452)66-21-18
Ульяновск (8422)24-23-59
Улан-Удэ (3012)59-97-51
Уфа (347)229-48-12
Хабаровск (4212)92-98-04
Чебоксары (8352)28-53-07
Челябинск (351)202-03-61
Череповец (8202)49-02-64
Чита (3022)38-34-83
Якутск (4112)23-90-97
Ярославль (4852)69-52-93

Россия +7(495)268-04-70

Казахстан +(727)345-47-04

Беларусь +(375)257-127-884

Узбекистан +998(71)205-18-59

Киргизия +996(312)96-26-47

эл.почта: ahj@nt-rt.ru || сайт: <https://lanbao.nt-rt.ru/>