

# Фотоэлектрические миниатюрные датчики PST-YR15-S/R

## Технические характеристики

По вопросам продаж и поддержки обращайтесь:

Алматы (727)345-47-04  
Ангарск (3955)60-70-56  
Архангельск (8182)63-90-72  
Астрахань (8512)99-46-04  
Барнаул (3852)73-04-60  
Белгород (4722)40-23-64  
Благовещенск (4162)22-76-07  
Брянск (4832)59-03-52  
Владивосток (423)249-28-31  
Владикавказ (8672)28-90-48  
Владимир (4922)49-43-18  
Волгоград (844)278-03-48  
Вологда (8172)26-41-59  
Воронеж (473)204-51-73  
Екатеринбург (343)384-55-89

Иваново (4932)77-34-06  
Ижевск (3412)26-03-58  
Иркутск (395)279-98-46  
Казань (843)206-01-48  
Калининград (4012)72-03-81  
Калуга (4842)92-23-67  
Кемерово (3842)65-04-62  
Киров (8332)68-02-04  
Коломна (4966)23-41-49  
Кострома (4942)77-07-48  
Краснодар (861)203-40-90  
Красноярск (391)204-63-61  
Курск (4712)77-13-04  
Курган (3522)50-90-47  
Липецк (4742)52-20-81

Магнитогорск (3519)55-03-13  
Москва (495)268-04-70  
Мурманск (8152)59-64-93  
Набережные Челны (8552)20-53-41  
Нижний Новгород (831)429-08-12  
Новокузнецк (3843)20-46-81  
Ноябрьск (3496)41-32-12  
Новосибирск (383)227-86-73  
Омск (3812)21-46-40  
Орел (4862)44-53-42  
Оренбург (3532)37-68-04  
Пенза (8412)22-31-16  
Петрозаводск (8142)55-98-37  
Псков (8112)59-10-37  
Пермь (342)205-81-47

Ростов-на-Дону (863)308-18-15  
Рязань (4912)46-61-64  
Самара (846)206-03-16  
Санкт-Петербург (812)309-46-40  
Саратов (845)249-38-78  
Севастополь (8692)22-31-93  
Саранск (8342)22-96-24  
Симферополь (3652)67-13-56  
Смоленск (4812)29-41-54  
Сочи (862)225-72-31  
Ставрополь (8652)20-65-13  
Сургут (3462)77-98-35  
Сыктывкар (8212)25-95-17  
Тамбов (4752)50-40-97  
Тверь (4822)63-31-35

Тольятти (8482)63-91-07  
Томск (3822)98-41-53  
Тула (4872)33-79-87  
Тюмень (3452)66-21-18  
Ульяновск (8422)24-23-59  
Улан-Удэ (3012)59-97-51  
Уфа (347)229-48-12  
Хабаровск (4212)92-98-04  
Чебоксары (8352)28-53-07  
Челябинск (351)202-03-61  
Череповец (8202)49-02-64  
Чита (3022)38-34-83  
Якутск (4112)23-90-97  
Ярославль (4852)69-52-93

Россия +7(495)268-04-70

Казахстан +(727)345-47-04

Беларусь +(375)257-127-884

Узбекистан +998(71)205-18-59

Киргизия +996(312)96-26-47

эл.почта: [ahj@nt-rt.ru](mailto:ahj@nt-rt.ru) || сайт: <https://lanbao.nt-rt.ru/>

# Miniature photoelectric sensor PST series



## Feature description

- M3 threaded cylindrical installation, small size, easy to install and use
- With 360° visible bright LED status indicator
- Good anti-light interference, high product stability
- Red dot light source design, bright spot, easy to align
- Good background suppression and color sensitivity, stable detection of black objects



## Model specification

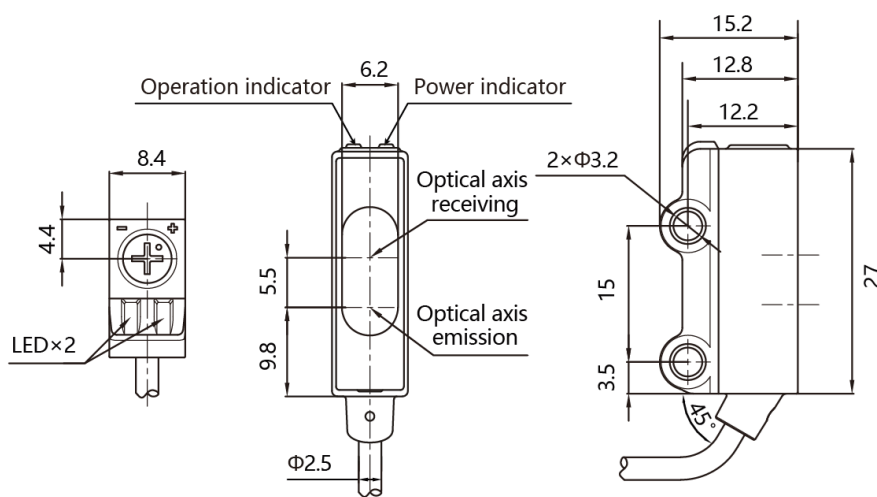
NPN NO	PST-YR15DNOS	PNP NO	PST-YR15DPOS
NPN NC	PST-YR15DNCS	PNP NC	PST-YR15DPCS

## Specifications

Detection type	Background suppression		reverse polarity protection
Detection distance	15mm*	Light source	Red light(640nm)
Detection of test	4...18mm	Response time	T-on:<1ms;T-off:<1ms
Dead zone	<4mm	Indicator	Green: Power Indicator
Standard target	100*100mm white card		Yellow: Output indication
Smallest detector	Φ3mm	Anti ambient light	Sunshine interference≤10,000 lux;
Distance adjustment	knob		Incandescent light interference ≤3,000 lux
Light spot size	5mm@15mm	Operating temperature	-20...55 °C
Color sensitivity	85%	Storage temperature	-30...70 °C
Hysteresis	<20%	Protection degree	IP65
Supply voltage	10...30VDC	Housing material	ABS
Consumption current	≤15mA	Lens	PMMA
Load current	≤50mA	Connection	2m PVC cable
Voltage drop	≤1.5V	Accessories	M3 Screws(length16mm)、Nut×2、
Circuit protection	Short circuit protection, overload protection,		Operation manual

Remark: \*This is data measuring from 100mm\*100mm 90% white card.

## Dimensions



# Miniature photoelectric sensor PST series



## Feature description

- M3 threaded cylindrical installation, small size, easy to install and use
- With 360° visible bright LED status indicator
- Good anti-light interference, high product stability
- Red dot light source design, bright spot, easy to align
- Good background suppression and color sensitivity, stable detection of black objects



## Model specification

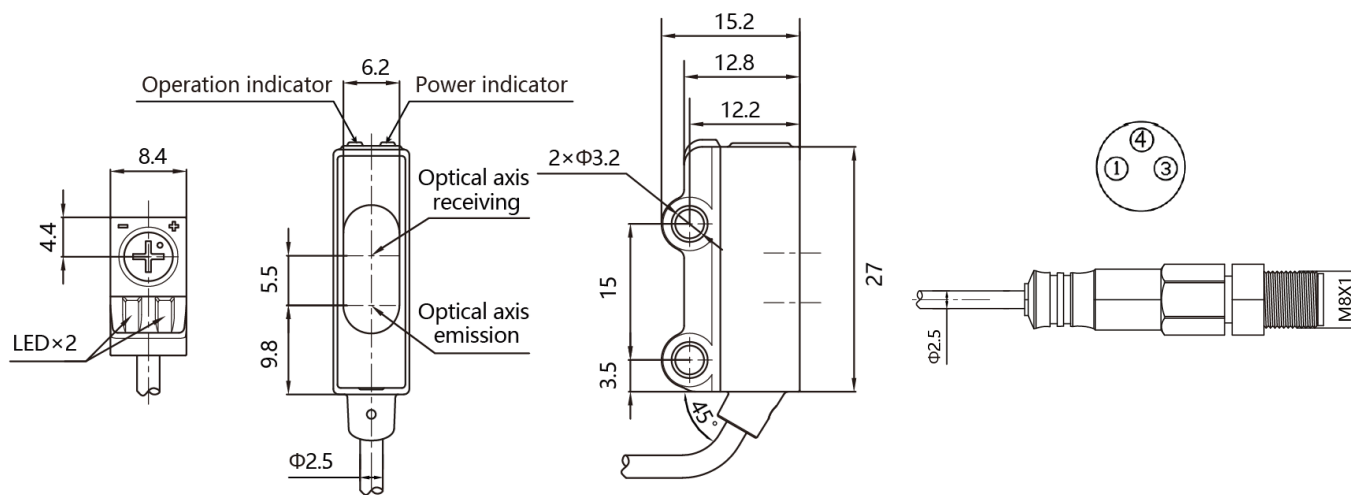
NPN NO	PST-YR15DNOS-F3	PNP NO	PST-YR15DPOS-F3
NPN NC	PST-YR15DNCS-F3	PNP NC	PST-YR15DPCS-F3

## Specifications

Detection type	Background suppression		reverse polarity protection
Detection distance	15mm*	Light source	Red light(640nm)
Detection of test	4...18mm	Response time	T-on:<1ms;T-off:<1ms
Dead zone	<4mm	Indicator	Green: Power Indicator
Standard target	100*100mm white card		Yellow: Output indication
Smallest detector	Φ3mm	Anti ambient light	Sunshine interference≤10,000 lux;
Distance adjustment	knob		Incandescent light interference ≤3,000 lux
Light spot size	5mm@15mm	Operating temperature	-20...55 °C
Color sensitivity	85%	Storage temperature	-30...70 °C
Hysteresis	<20%	Protection degree	IP65
Supply voltage	10...30VDC	Housing material	ABS
Consumption current	≤15mA	Lens	PMMA
Load current	≤50mA	Connection	20cm PVC+M8 connector (3-pins)
Voltage drop	≤1.5V	Accessories	M3 Screws(length16mm)、Nut×2、
Circuit protection	Short circuit protection, overload protection,		Operation manual

Remark: \*This is data measuring from 100mm\*100mm 90% white card.

## Dimensions



# Miniature photoelectric sensor PST series



## Feature description

- M3 threaded cylindrical installation, small size, easy to install and use
- With 360° visible bright LED status indicator
- Good anti-light interference, high product stability
- Red dot light source design, bright spot, easy to align
- Good background suppression and color sensitivity, stable detection of black objects



## Model specification

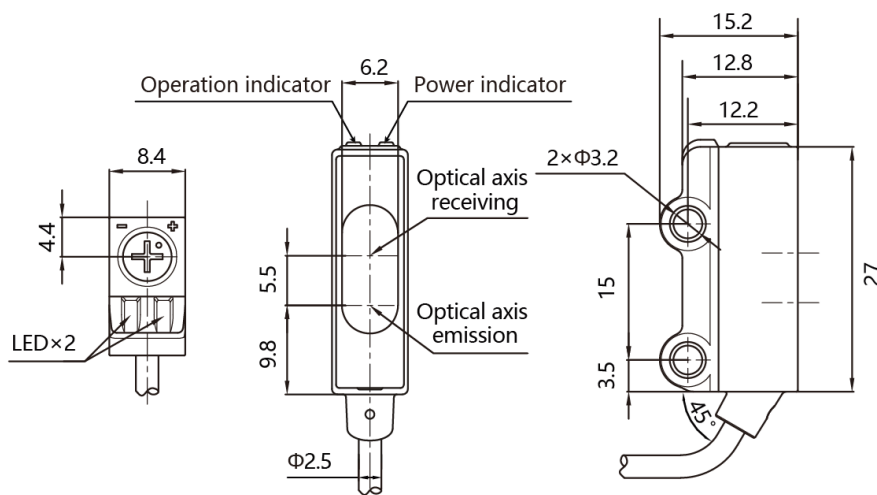
NPN NO	PST-YR15DNOR	PNP NO	PST-YR15DPOR
NPN NC	PST-YR15DNCR	PNP NC	PST-YR15DPCR

## Specifications

Detection type	Background suppression		reverse polarity protection
Detection distance	15mm*	Light source	Red light(640nm)
Detection of test	4...18mm	Response time	T-on:<5ms;T-off:<5ms
Dead zone	<4mm	Indicator	Green: Power Indicator
Standard target	100*100mm white card		Yellow: Output indication
Smallest detector	Φ3mm	Anti ambient light	Sunshine interference≤10,000 lux;
Distance adjustment	knob		Incandescent light interference ≤3,000 lux
Light spot size	5mm@15mm	Operating temperature	-20...55 °C
Color sensitivity	85%	Storage temperature	-30...70 °C
Hysteresis	<20%	Protection degree	IP65
Supply voltage	10...30VDC	Housing material	ABS
Consumption current	≤15mA	Lens	PMMA
Load current	≤50mA	Connection	2m PVC cable
Voltage drop	≤1.5V	Accessories	M3 Screws(length16mm)、Nut×2、
Circuit protection	Short circuit protection, overload protection,		Operation manual

Remark: \*This is data measuring from 100mm\*100mm 90% white card.

## Dimensions



# Miniature photoelectric sensor PST series



## Feature description

- M3 threaded cylindrical installation, small size, easy to install and use
- With 360° visible bright LED status indicator
- Good anti-light interference, high product stability
- Red dot light source design, bright spot, easy to align
- Good background suppression and color sensitivity, stable detection of black objects



## Model specification

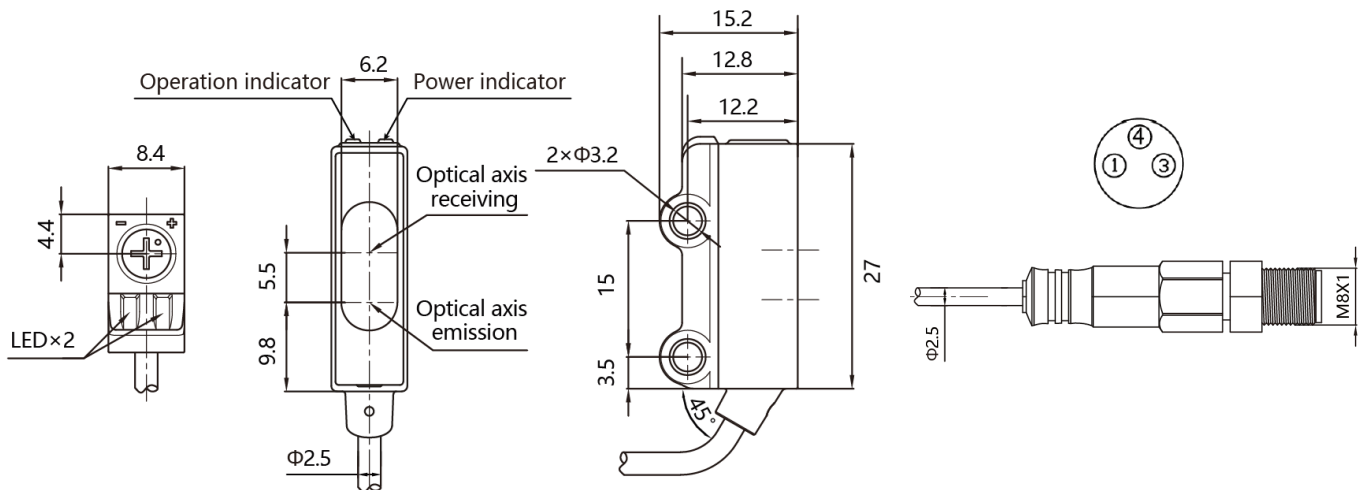
NPN NO	PST-YR15DNOR-F3	PNP NO	PST-YR15DPOR-F3
NPN NC	PST-YR15DNCR-F3	PNP NC	PST-YR15DPCR-F3

## Specifications

Detection type	Background suppression		reverse polarity protection
Detection distance	15mm*	Light source	Red light(640nm)
Detection of test	4...18mm	Response time	T-on:<5ms;T-off:<5ms
Dead zone	<4mm	Indicator	Green: Power Indicator
Standard target	100*100mm white card		Yellow: Output indication
Smallest detector	Φ3mm	Anti ambient light	Sunshine interference≤10,000 lux;
Distance adjustment	knob		Incandescent light interference ≤3,000 lux
Light spot size	5mm@15mm	Operating temperature	-20...55 °C
Color sensitivity	85%	Storage temperature	-30...70 °C
Hysteresis	<20%	Protection degree	IP65
Supply voltage	10...30VDC	Housing material	ABS
Consumption current	≤15mA	Lens	PMMA
Load current	≤50mA	Connection	20cm PVC+M8 connector (3-pins)
Voltage drop	≤1.5V	Accessories	M3 Screws(length16mm)、Nut×2、
Circuit protection	Short circuit protection, overload protection,		Operation manual

Remark: \*This is data measuring from 100mm\*100mm 90% white card.

## Dimensions



## По вопросам продаж и поддержки обращайтесь:

Алматы (727)345-47-04  
Ангарск (3955)60-70-56  
Архангельск (8182)63-90-72  
Астрахань (8512)99-46-04  
Барнаул (3852)73-04-60  
Белгород (4722)40-23-64  
Благовещенск (4162)22-76-07  
Брянск (4832)59-03-52  
Владивосток (423)249-28-31  
Владикавказ (8672)28-90-48  
Владимир (4922)49-43-18  
Волгоград (844)278-03-48  
Вологда (8172)26-41-59  
Воронеж (473)204-51-73  
Екатеринбург (343)384-55-89

Иваново (4932)77-34-06  
Ижевск (3412)26-03-58  
Иркутск (395)279-98-46  
Казань (843)206-01-48  
Калининград (4012)72-03-81  
Калуга (4842)92-23-67  
Кемерово (3842)65-04-62  
Киров (8332)68-02-04  
Коломна (4966)23-41-49  
Кострома (4942)77-07-48  
Краснодар (861)203-40-90  
Красноярск (391)204-63-61  
Курск (4712)77-13-04  
Курган (3522)50-90-47  
Липецк (4742)52-20-81

Магнитогорск (3519)55-03-13  
Москва (495)268-04-70  
Мурманск (8152)59-64-93  
Набережные Челны (8552)20-53-41  
Новокузнецк (3843)20-46-81  
Ноябрьск (3496)41-32-12  
Новосибирск (383)227-86-73  
Омск (3812)21-46-40  
Орел (4862)44-53-42  
Оренбург (3532)37-68-04  
Пенза (8412)22-31-16  
Петрозаводск (8142)55-98-37  
Псков (8112)59-10-37  
Пермь (342)205-81-47

Ростов-на-Дону (863)308-18-15  
Рязань (4912)46-61-64  
Самара (846)206-03-16  
Санкт-Петербург (812)309-46-40  
Саратов (845)249-38-78  
Севастополь (8692)22-31-93  
Саранск (8342)22-96-24  
Симферополь (3652)67-13-56  
Смоленск (4812)29-41-54  
Сочи (862)225-72-31  
Ставрополь (8652)20-65-13  
Сургут (3462)77-98-35  
Сыктывкар (8212)25-95-17  
Тамбов (4752)50-40-97  
Тверь (4822)63-31-35

Тольятти (8482)63-91-07  
Томск (3822)98-41-53  
Тула (4872)33-79-87  
Тюмень (3452)66-21-18  
Ульяновск (8422)24-23-59  
Улан-Удэ (3012)59-97-51  
Уфа (347)229-48-12  
Хабаровск (4212)92-98-04  
Чебоксары (8352)28-53-07  
Челябинск (351)202-03-61  
Череповец (8202)49-02-64  
Чита (3022)38-34-83  
Якутск (4112)23-90-97  
Ярославль (4852)69-52-93

**Россия** +7(495)268-04-70

**Казахстан** +(727)345-47-04

**Беларусь** +(375)257-127-884

**Узбекистан** +998(71)205-18-59

**Киргизия** +996(312)96-26-47

эл.почта: [ahj@nt-rt.ru](mailto:ahj@nt-rt.ru) || сайт: <https://lanbao.nt-rt.ru/>