

Фотоэлектрические миниатюрные датчики PST-УС10-S/R

Технические характеристики

По вопросам продаж и поддержки обращайтесь:

Алматы (727)345-47-04
Ангарск (3955)60-70-56
Архангельск (8182)63-90-72
Астрахань (8512)99-46-04
Барнаул (3852)73-04-60
Белгород (4722)40-23-64
Благовещенск (4162)22-76-07
Брянск (4832)59-03-52
Владивосток (423)249-28-31
Владикавказ (8672)28-90-48
Владимир (4922)49-43-18
Волгоград (844)278-03-48
Вологда (8172)26-41-59
Воронеж (473)204-51-73
Екатеринбург (343)384-55-89

Иваново (4932)77-34-06
Ижевск (3412)26-03-58
Иркутск (395)279-98-46
Казань (843)206-01-48
Калининград (4012)72-03-81
Калуга (4842)92-23-67
Кемерово (3842)65-04-62
Киров (8332)68-02-04
Коломна (4966)23-41-49
Кострома (4942)77-07-48
Краснодар (861)203-40-90
Красноярск (391)204-63-61
Курск (4712)77-13-04
Курган (3522)50-90-47
Липецк (4742)52-20-81

Магнитогорск (3519)55-03-13
Москва (495)268-04-70
Мурманск (8152)59-64-93
Набережные Челны (8552)20-53-41
Нижний Новгород (831)429-08-12
Новокузнецк (3843)20-46-81
Ноябрьск (3496)41-32-12
Новосибирск (383)227-86-73
Омск (3812)21-46-40
Орел (4862)44-53-42
Оренбург (3532)37-68-04
Пенза (8412)22-31-16
Петрозаводск (8142)55-98-37
Псков (8112)59-10-37
Пермь (342)205-81-47

Ростов-на-Дону (863)308-18-15
Рязань (4912)46-61-64
Самара (846)206-03-16
Санкт-Петербург (812)309-46-40
Саратов (845)249-38-78
Севастополь (8692)22-31-93
Саранск (8342)22-96-24
Симферополь (3652)67-13-56
Смоленск (4812)29-41-54
Сочи (862)225-72-31
Ставрополь (8652)20-65-13
Сургут (3462)77-98-35
Сыктывкар (8212)25-95-17
Тамбов (4752)50-40-97
Тверь (4822)63-31-35

Тольятти (8482)63-91-07
Томск (3822)98-41-53
Тула (4872)33-79-87
Тюмень (3452)66-21-18
Ульяновск (8422)24-23-59
Улан-Удэ (3012)59-97-51
Уфа (347)229-48-12
Хабаровск (4212)92-98-04
Чебоксары (8352)28-53-07
Челябинск (351)202-03-61
Череповец (8202)49-02-64
Чита (3022)38-34-83
Якутск (4112)23-90-97
Ярославль (4852)69-52-93

Россия +7(495)268-04-70

Казахстан +(727)345-47-04

Беларусь +(375)257-127-884

Узбекистан +998(71)205-18-59

Киргизия +996(312)96-26-47

эл.почта: ahj@nt-rt.ru || сайт: <https://lanbao.nt-rt.ru/>

Miniature photoelectric sensor PST series



Feature description

- M3 threaded cylindrical installation, small size, easy to install and use
- With 360° visible bright LED status indicator
- Good anti-light interference, high product stability
- Red dot light source design, bright spot, easy to align
- Good background suppression and color sensitivity, stable detection of black objects



Model specification

| | | | |
|--------|-----------------|--------|-----------------|
| NPN NO | PST-YC10DNOS-F3 | PNP NO | PST-YC10DPOS-F3 |
| NPN NC | PST-YC10DNCS-F3 | PNP NC | PST-YC10DPCS-F3 |

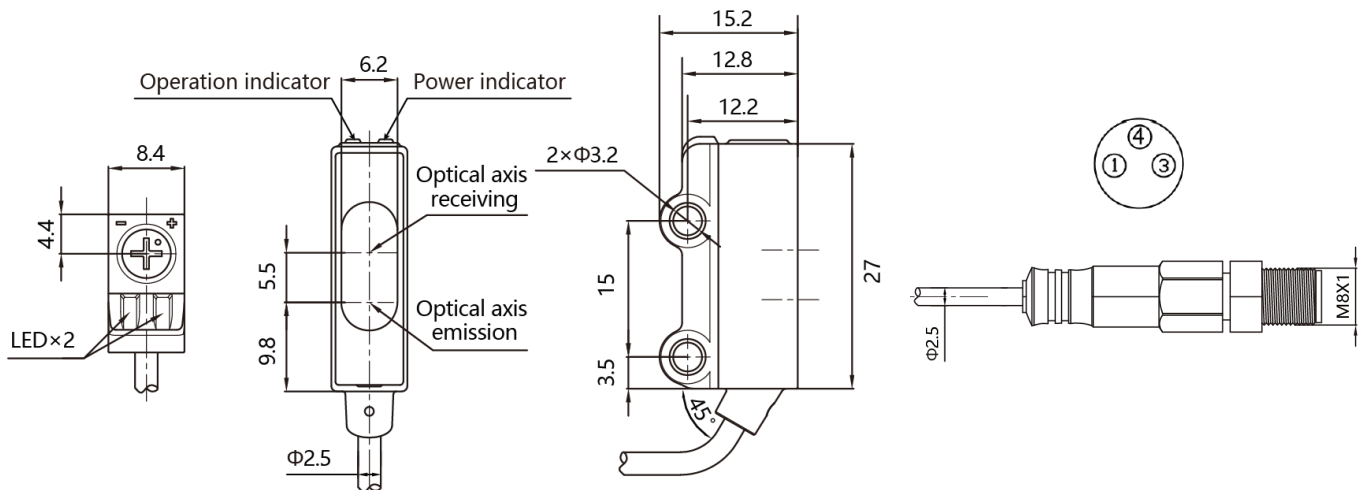
Specifications

| | | | |
|---------------------|------------------------------------------------|-----------------------|--------------------------------------------|
| Detection type | Background suppression | | reverse polarity protection |
| Detection distance | 10cm* | Light source | Red light(640nm) |
| Detection of test | 1.5...12cm | Response time | T-on:<1ms;T-off:<1ms |
| Dead zone | <1.5cm* | Indicator | Green: Power Indicator |
| Standard target | 100*100mm white card | | Yellow: Output indication |
| Smallest detector | Φ3mm | Anti ambient light | Sunshine interference≤10,000 lux; |
| Distance adjustment | knob | | Incandescent light interference ≤3,000 lux |
| Light spot size | 8mm@100mm | Operating temperature | -20...55 °C |
| Color sensitivity | 80% | Storage temperature | -30...70 °C |
| Hysteresis | <20% | Protection degree | IP65 |
| Supply voltage | 10...30VDC | Housing material | ABS |
| Consumption current | ≤15mA | Lens | PMMA |
| Load current | ≤50mA | Connection | 20cm PVC+M8 connector (3-pins) |
| Voltage drop | ≤1.5V | Accessories | M3 Screws(length16mm)、Nut×2、 |
| Circuit protection | Short circuit protection, overload protection, | | Operation manual |

Remark: *This is data measuring from 100mm*100mm 90% white card.

*The blind area is <1.5cm in the full range, and <0.5cm when the setting distance is <30mm.

Dimensions



Miniature photoelectric sensor PST series



Feature description

- M3 threaded cylindrical installation, small size, easy to install and use
- With 360° visible bright LED status indicator
- Good anti-light interference, high product stability
- Red dot light source design, bright spot, easy to align
- Good background suppression and color sensitivity, stable detection of black objects



Model specification

| | | | |
|--------|--------------|--------|--------------|
| NPN NO | PST-YC10DNOS | PNP NO | PST-YC10DPOS |
| NPN NC | PST-YC10DNCS | PNP NC | PST-YC10DPCS |

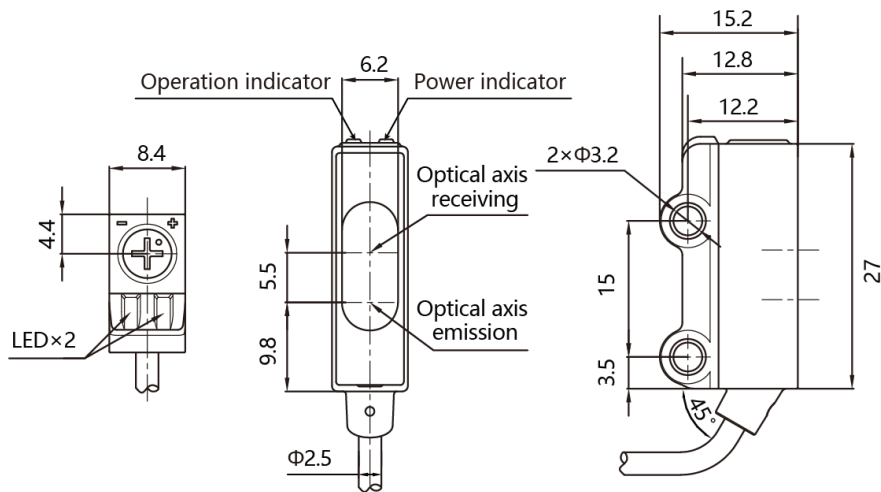
Specifications

| | | | |
|---------------------|------------------------------------------------|-----------------------|--------------------------------------------|
| Detection type | Background suppression | | reverse polarity protection |
| Detection distance | 10cm* | Light source | Red light(640nm) |
| Detection of test | 1.5...12cm | Response time | T-on:<1ms;T-off:<1ms |
| Dead zone | <1.5cm* | Indicator | Green: Power Indicator |
| Standard target | 100*100mm white card | | Yellow: Output indication |
| Smallest detector | Φ3mm | Anti ambient light | Sunshine interference≤10,000 lux; |
| Distance adjustment | knob | | Incandescent light interference ≤3,000 lux |
| Light spot size | 8mm@100mm | Operating temperature | -20...55 °C |
| Color sensitivity | 80% | Storage temperature | -30...70 °C |
| Hysteresis | <20% | Protection degree | IP65 |
| Supply voltage | 10...30VDC | Housing material | ABS |
| Consumption current | ≤15mA | Lens | PMMA |
| Load current | ≤50mA | Connection | 2m PVC cable |
| Voltage drop | ≤1.5V | Accessories | M3 Screws(length16mm)、 Nut×2、 |
| Circuit protection | Short circuit protection, overload protection, | | Operation manual |

Remark: *This is data measuring from 100mm*100mm 90% white card.

*The blind area is <1.5cm in the full range, and <0.5cm when the setting distance is <30mm.

Dimensions



Miniature photoelectric sensor PST series



Feature description

- M3 threaded cylindrical installation, small size, easy to install and use
- With 360° visible bright LED status indicator
- Good anti-light interference, high product stability
- Red dot light source design, bright spot, easy to align
- Good background suppression and color sensitivity, stable detection of black objects



Model specification

| | | | |
|--------|-----------------|--------|-----------------|
| NPN NO | PST-YC10DNOR-F3 | PNP NO | PST-YC10DPOR-F3 |
| NPN NC | PST-YC10DNCR-F3 | PNP NC | PST-YC10DPCR-F3 |

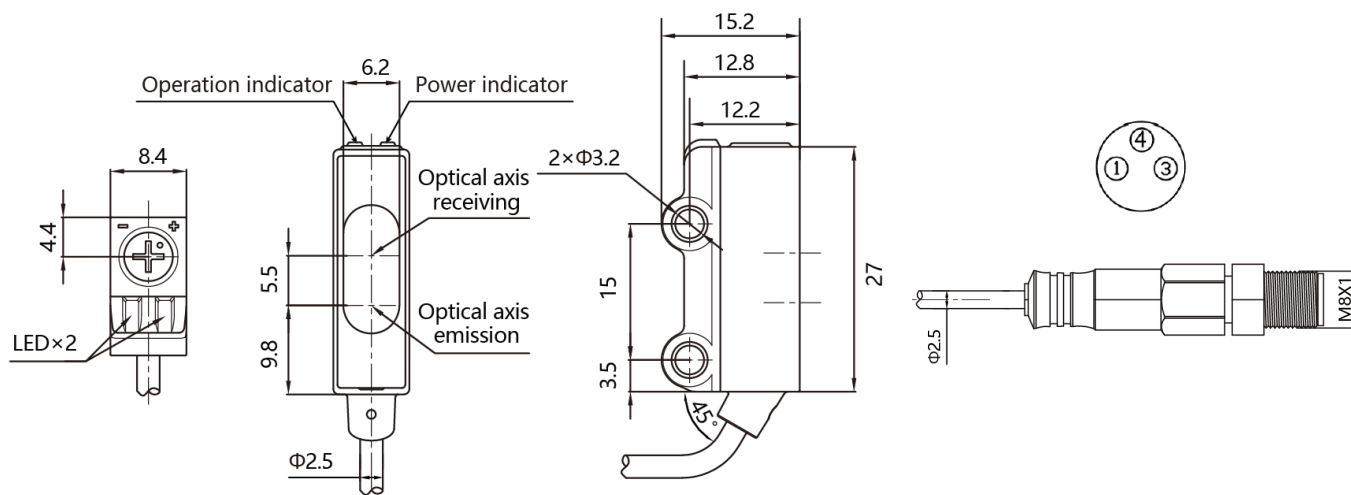
Specifications

| | | | |
|---------------------|------------------------------------------------|-----------------------|--------------------------------------------|
| Detection type | Background suppression | | reverse polarity protection |
| Detection distance | 10cm* | Light source | Red light(640nm) |
| Detection of test | 1.5...12cm | Response time | T-on:<5ms;T-off:<5ms |
| Dead zone | <1.5cm* | Indicator | Green: Power Indicator |
| Standard target | 100*100mm white card | | Yellow: Output indication |
| Smallest detector | Φ3mm | Anti ambient light | Sunshine interference≤10,000 lux; |
| Distance adjustment | knob | | Incandescent light interference ≤3,000 lux |
| Light spot size | 8mm@100mm | Operating temperature | -20...55 °C |
| Color sensitivity | 80% | Storage temperature | -30...70 °C |
| Hysteresis | <20% | Protection degree | IP65 |
| Supply voltage | 10...30VDC | Housing material | ABS |
| Consumption current | ≤15mA | Lens | PMMA |
| Load current | ≤50mA | Connection | 20cm PVC+M8 connector (3-pins) |
| Voltage drop | ≤1.5V | Accessories | M3 Screws(length16mm)、Nut×2、 |
| Circuit protection | Short circuit protection, overload protection, | | Operation manual |

Remark: *This is data measuring from 100mm*100mm 90% white card.

*The blind area is <1.5cm in the full range, and <0.5cm when the setting distance is <30mm.

Dimensions



Miniature photoelectric sensor PST series



Feature description

- M3 threaded cylindrical installation, small size, easy to install and use
- With 360° visible bright LED status indicator
- Good anti-light interference, high product stability
- Red dot light source design, bright spot, easy to align
- Good background suppression and color sensitivity, stable detection of black objects



Model specification

| | | | |
|--------|--------------|--------|--------------|
| NPN NO | PST-YC10DNOR | PNP NO | PST-YC10DPOR |
| NPN NC | PST-YC10DNCR | PNP NC | PST-YC10DPCR |

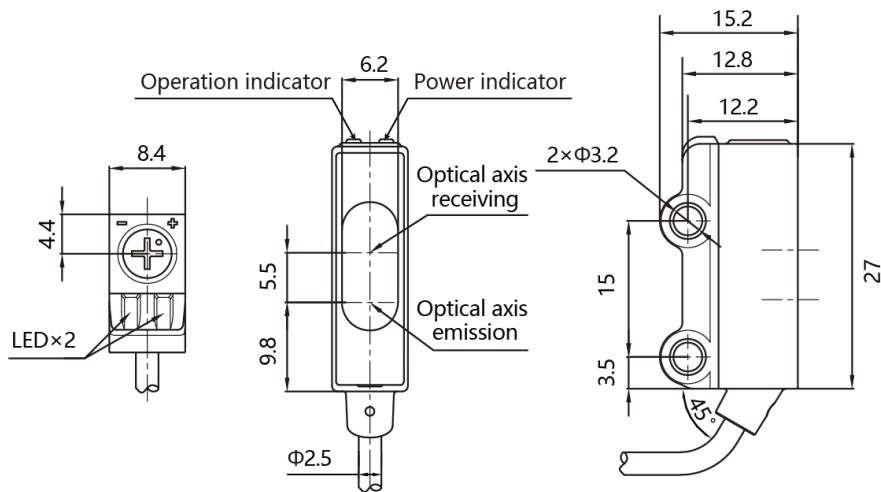
Specifications

| | | | |
|---------------------|------------------------------------------------|-----------------------|--------------------------------------------|
| Detection type | Background suppression | | reverse polarity protection |
| Detection distance | 10cm* | Light source | Red light(640nm) |
| Detection of test | 1.5...12cm | Response time | T-on:<5ms;T-off:<5ms |
| Dead zone | <1.5cm* | Indicator | Green: Power Indicator |
| Standard target | 100*100mm white card | | Yellow: Output indication |
| Smallest detector | Φ3mm | Anti ambient light | Sunshine interference≤10,000 lux; |
| Distance adjustment | knob | | Incandescent light interference ≤3,000 lux |
| Light spot size | 8mm@100mm | Operating temperature | -20...55 °C |
| Color sensitivity | 80% | Storage temperature | -30...70 °C |
| Hysteresis | <20% | Protection degree | IP65 |
| Supply voltage | 10...30VDC | Housing material | ABS |
| Consumption current | ≤15mA | Lens | PMMA |
| Load current | ≤50mA | Connection | 2m PVC cable |
| Voltage drop | ≤1.5V | Accessories | M3 Screws(length16mm)、Nut×2、 |
| Circuit protection | Short circuit protection, overload protection, | | Operation manual |

Remark: *This is data measuring from 100mm*100mm 90% white card.

*The blind area is <1.5cm in the full range, and <0.5cm when the setting distance is <30mm.

Dimensions



По вопросам продаж и поддержки обращайтесь:

Алматы (727)345-47-04
Ангарск (3955)60-70-56
Архангельск (8182)63-90-72
Астрахань (8512)99-46-04
Барнаул (3852)73-04-60
Белгород (4722)40-23-64
Благовещенск (4162)22-76-07
Брянск (4832)59-03-52
Владивосток (423)249-28-31
Владикавказ (8672)28-90-48
Владимир (4922)49-43-18
Волгоград (844)278-03-48
Вологда (8172)26-41-59
Воронеж (473)204-51-73
Екатеринбург (343)384-55-89

Иваново (4932)77-34-06
Ижевск (3412)26-03-58
Иркутск (395)279-98-46
Казань (843)206-01-48
Калининград (4012)72-03-81
Калуга (4842)92-23-67
Кемерово (3842)65-04-62
Киров (8332)68-02-04
Коломна (4966)23-41-49
Кострома (4942)77-07-48
Краснодар (861)203-40-90
Красноярск (391)204-63-61
Курск (4712)77-13-04
Курган (3522)50-90-47
Липецк (4742)52-20-81

Магнитогорск (3519)55-03-13
Москва (495)268-04-70
Мурманск (8152)59-64-93
Набережные Челны (8552)20-53-41
Новокузнецк (3843)20-46-81
Ноябрьск (3496)41-32-12
Новосибирск (383)227-86-73
Омск (3812)21-46-40
Орел (4862)44-53-42
Оренбург (3532)37-68-04
Пенза (8412)22-31-16
Петрозаводск (8142)55-98-37
Псков (8112)59-10-37
Пермь (342)205-81-47

Ростов-на-Дону (863)308-18-15
Рязань (4912)46-61-64
Самара (846)206-03-16
Санкт-Петербург (812)309-46-40
Саратов (845)249-38-78
Севастополь (8692)22-31-93
Саранск (8342)22-96-24
Симферополь (3652)67-13-56
Смоленск (4812)29-41-54
Сочи (862)225-72-31
Ставрополь (8652)20-65-13
Сургут (3462)77-98-35
Сыктывкар (8212)25-95-17
Тамбов (4752)50-40-97
Тверь (4822)63-31-35

Тольятти (8482)63-91-07
Томск (3822)98-41-53
Тула (4872)33-79-87
Тюмень (3452)66-21-18
Ульяновск (8422)24-23-59
Улан-Удэ (3012)59-97-51
Уфа (347)229-48-12
Хабаровск (4212)92-98-04
Чебоксары (8352)28-53-07
Челябинск (351)202-03-61
Череповец (8202)49-02-64
Чита (3022)38-34-83
Якутск (4112)23-90-97
Ярославль (4852)69-52-93

Россия +7(495)268-04-70

Казахстан +(727)345-47-04

Беларусь +(375)257-127-884

Узбекистан +998(71)205-18-59

Киргизия +996(312)96-26-47

эл.почта: ahj@nt-rt.ru || сайт: <https://lanbao.nt-rt.ru/>