

Фотоэлектрические миниатюрные датчики PST-TM2/R/DC25

Технические характеристики

По вопросам продаж и поддержки обращайтесь:

Алматы (727)345-47-04
Ангарск (3955)60-70-56
Архангельск (8182)63-90-72
Астрахань (8512)99-46-04
Барнаул (3852)73-04-60
Белгород (4722)40-23-64
Благовещенск (4162)22-76-07
Брянск (4832)59-03-52
Владивосток (423)249-28-31
Владикавказ (8672)28-90-48
Владимир (4922)49-43-18
Волгоград (844)278-03-48
Вологда (8172)26-41-59
Воронеж (473)204-51-73
Екатеринбург (343)384-55-89

Иваново (4932)77-34-06
Ижевск (3412)26-03-58
Иркутск (395)279-98-46
Казань (843)206-01-48
Калининград (4012)72-03-81
Калуга (4842)92-23-67
Кемерово (3842)65-04-62
Киров (8332)68-02-04
Коломна (4966)23-41-49
Кострома (4942)77-07-48
Краснодар (861)203-40-90
Красноярск (391)204-63-61
Курск (4712)77-13-04
Курган (3522)50-90-47
Липецк (4742)52-20-81

Магнитогорск (3519)55-03-13
Москва (495)268-04-70
Мурманск (8152)59-64-93
Набережные Челны (8552)20-53-41
Нижний Новгород (831)429-08-12
Новокузнецк (3843)20-46-81
Ноябрьск (3496)41-32-12
Новосибирск (383)227-86-73
Омск (3812)21-46-40
Орел (4862)44-53-42
Оренбург (3532)37-68-04
Пенза (8412)22-31-16
Петрозаводск (8142)55-98-37
Псков (8112)59-10-37
Пермь (342)205-81-47

Ростов-на-Дону (863)308-18-15
Рязань (4912)46-61-64
Самара (846)206-03-16
Санкт-Петербург (812)309-46-40
Саратов (845)249-38-78
Севастополь (8692)22-31-93
Саранск (8342)22-96-24
Симферополь (3652)67-13-56
Смоленск (4812)29-41-54
Сочи (862)225-72-31
Ставрополь (8652)20-65-13
Сургут (3462)77-98-35
Сыктывкар (8212)25-95-17
Тамбов (4752)50-40-97
Тверь (4822)63-31-35

Тольятти (8482)63-91-07
Томск (3822)98-41-53
Тула (4872)33-79-87
Тюмень (3452)66-21-18
Ульяновск (8422)24-23-59
Улан-Удэ (3012)59-97-51
Уфа (347)229-48-12
Хабаровск (4212)92-98-04
Чебоксары (8352)28-53-07
Челябинск (351)202-03-61
Череповец (8202)49-02-64
Чита (3022)38-34-83
Якутск (4112)23-90-97
Ярославль (4852)69-52-93

Россия +7(495)268-04-70

Казахстан +(727)345-47-04

Беларусь +(375)257-127-884

Узбекистан +998(71)205-18-59

Киргизия +996(312)96-26-47

эл.почта: ahj@nt-rt.ru || сайт: <https://lanbao.nt-rt.ru/>

Miniature photoelectric sensor PST series



Feature description

- M3 threaded cylindrical installation, small size, easy to install and use
- With 360° visible bright LED status indicator
- Good anti-light interference, high product stability
- Red point light source, easy to align



Model specification

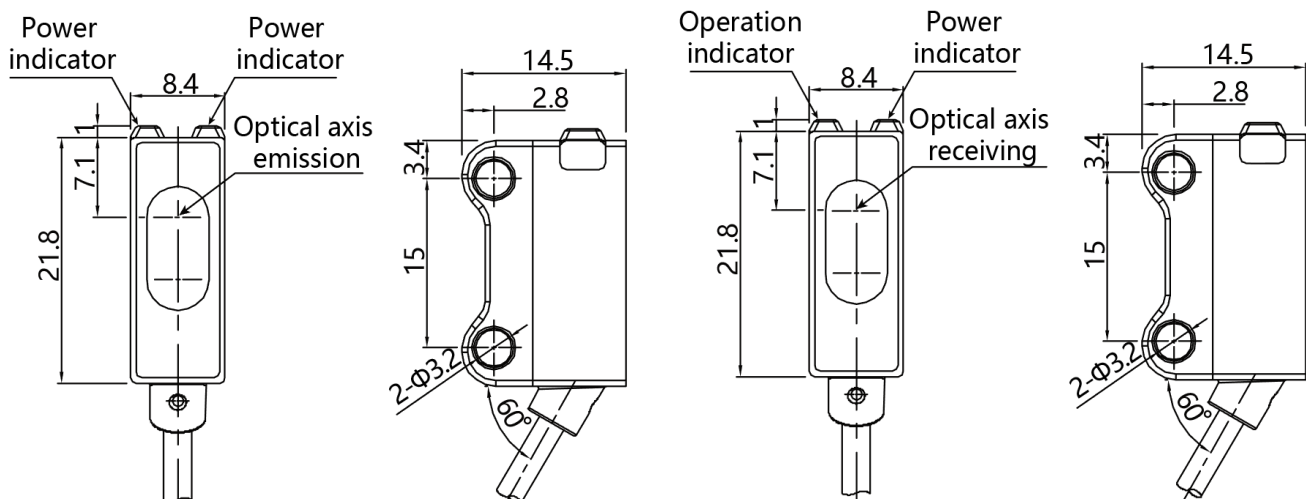
	Emitter	Receiver		Emitter	Receiver
NPN NO	PST-TM2DR	PST-TM2DNOR	PNP NO	PST-TM2DR	PST-TM2DPOR
NPN NC	PST-TM2DR	PST-TM2DNCR	PNP NC	PST-TM2DR	PST-TM2DPCR

Specifications

Detection type	Through beam		Yellow:output indication
Sensing distance	2m	Protection circuit	Short circuit,reverse polarity,overload protection
Standard target	φ5mm above opaque objects	Response time	<1ms
Min target	φ3mm above opaque objects ^①	Anti ambient light	Sunlight interference ≤10,000 lux Incandescent light interference ≤3,000 lux
Direction angle	Emitter:±1°;Receiver:±4.°		
Spot size	80mm@2m	Operation temperature	-20...55 °c
Supply voltage	10...30VDC	Storage temperature	-30...70 °C
Consumption current	Emitter:≤10mA;Receiver:≤15mA	Protection degree	IP65
Load current	≤50mA	Shell material	ABS
Voltage drop	≤1.5V	Lens	PMMA
Light source	Red light(640nm)	Connection	2m PVC cable
Indicator	Green:power supply indicator,stability indication	Accessory	Screws(M3×16mm)×2, Nut×2, Operation manual

①The detection of the smallest detectable object can be achieved only under the appropriate sensitivity conditions

Dimension



Miniature photoelectric sensor PST series



Feature description

- M3 threaded cylindrical installation, small size, easy to install and use
- With 360° visible bright LED status indicator
- Good anti-light interference, high product stability
- Red point light source, easy to align



Model specification

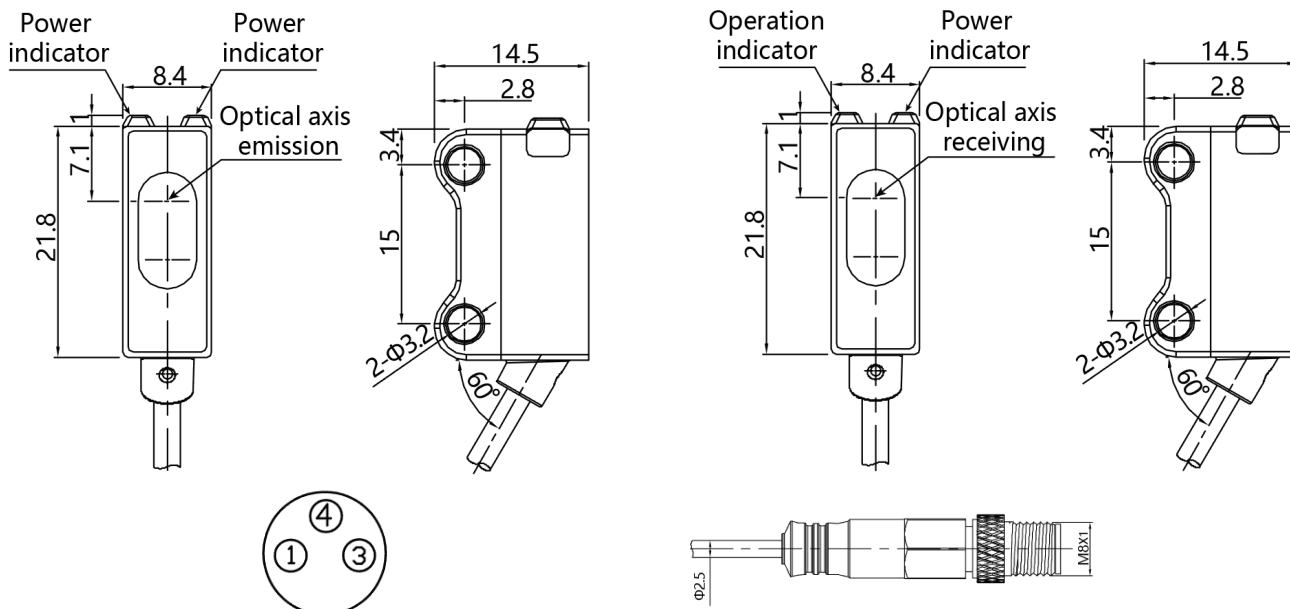
	Emitter	Receiver		Emitter	Receiver
NPN NO	PST-TM2DR-F3	PST-TM2DNOR-F3	PNP NO	PST-TM2DR-F3	PST-TM2DPOR-F3
NPN NC	PST-TM2DR-F3	PST-TM2DNCR-F3	PNP NC	PST-TM2DR-F3	PST-TM2DPCR-F3

Specifications

Detection type	Through beam		Yellow:output indication
Sensing distance	2m	Protection circuit	Short circuit,reverse polarity,overload protection
Standard target	φ5mm above opaque objects	Response time	<1ms
Min target	φ3mm above opaque objects ^①	Anti ambient light	Sunlight interference ≤10,000 lux Incandescent light interference ≤3,000 lux
Direction angle	Emitter:±1°;Receiver:±4°	Operation temperature	-20...55 °C
Spot size	80mm@2m	Storage temperature	-30...70 °C
Supply voltage	10...30VDC	Protection degree	IP65
Consumption current	Emitter:≤10mA;Receiver:≤15mA	Shell material	ABS
Load current	≤50mA	Lens	PMMA
Voltage drop	≤1.5V	Connection	20cm PVC+M8 connector (3-pins)
Light source	Red light(640nm)	Accessory	Screws(M3×16mm)×2, Nut×2, Operation manual
Indicator	Green:power supply indicator,stability indication		

①The detection of the smallest detectable object can be achieved only under the appropriate sensitivity conditions

Dimension



Miniature photoelectric sensor PST series



Feature description

- M3 threaded cylindrical installation, small size, easy to install and use
- With 360° visible bright LED status indicator
- Good anti-light interference, high product stability
- Stable detection of small objects



Model specification

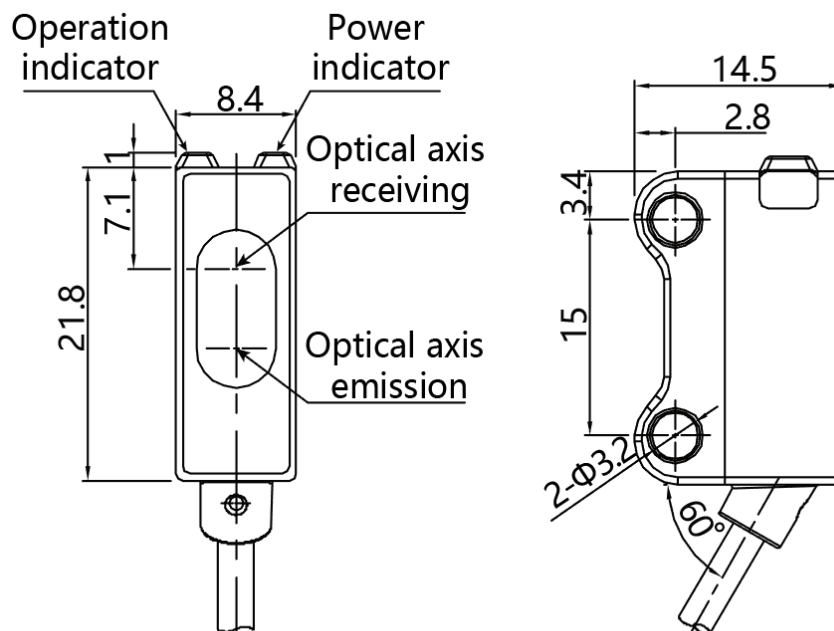
NPN NO	PST-SR25DNOR	PNP NO	PST-SR25DPOR
NPN NC	PST-SR25DNCR	PNP NC	PST-SR25DPCR

Specifications

Detection type	Limited reflection		Yellow:output indication
Sensing distance	2...25mm	Response time	<1ms
Dead zone	<2mm	Anti ambient light	Sunlight interference $\leq 10,000$ lux
Min target	0.1mm copper wire(at the detection distance of 10mm)		Incandescent light interference $\leq 3,000$ lux
Return difference	< 20%	Operation temperature	-20...55 °C
Supply voltage	10...30VDC	Storage temperature	-30...70 °C
Consumption current	≤ 15 mA	Protection degree	IP65
Load current	≤ 50 mA	Shell material	ABS
Voltage drop	≤ 1.5 V	Lens	PMMA
Light source	Red light(640nm)	Connection	2m PVC cable
Protection circuit	Short circuit,reverse polarity,overload protection	Accessory	Screws(M3×16mm)×2、Nut×2、Operation manual
Indicator	Green:power supply indicator,stability indication		

Remark: Use 100*100mm white card whose reflectivity is greater than 90%

Dimension



Miniature photoelectric sensor PST series



Feature description

- M3 threaded cylindrical installation, small size, easy to install and use
- With 360° visible bright LED status indicator
- Good anti-light interference, high product stability
- Stable detection of small objects



Model specification

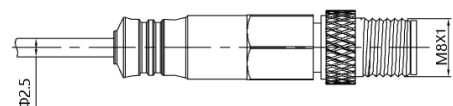
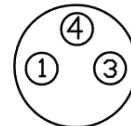
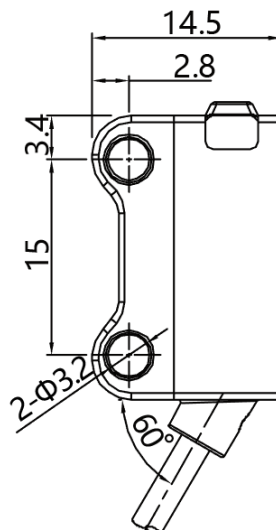
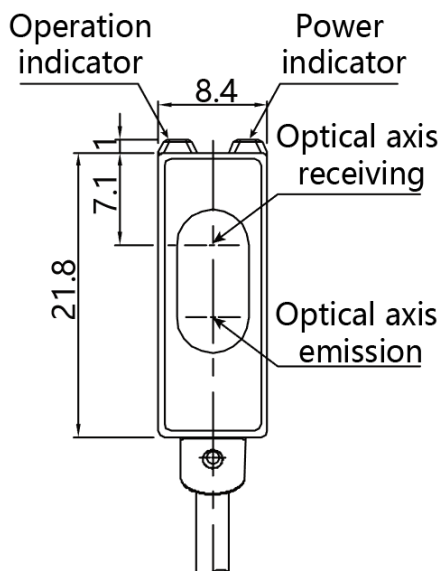
NPN NO	PST-SR25DNOR-F3	PNP NO	PST-SR25DPOR-F3
NPN NC	PST-SR25DNCR-F3	PNP NC	PST-SR25DPCR-F3

Specifications

Detection type	Limited reflection		Yellow:output indication
Sensing distance	2...25mm	Response time	<1ms
Dead zone	<2mm	Anti ambient light	Sunlight interference $\leq 10,000$ lux
Min target	0.1mm copper wire(at the detection distance of 10mm)		Incandescent light interference $\leq 3,000$ lux
Return difference	<20%	Operation temperature	-20...55 °C
Supply voltage	10...30VDC	Storage temperature	-30...70 °C
Consumption current	≤ 15 mA	Protection degree	IP65
Load current	≤ 50 mA	Shell material	ABS
Voltage drop	≤ 1.5 V	Lens	PMMA
Light source	Red light(640nm)	Connection	20cm PVC+M8 connector (3-pins)
Protection circuit	Short circuit,reverse polarity,overload protection	Accessory	Screws(M3×16mm)×2、Nut×2、Operation manual
Indicator	Green:power supply indicator,stability indication		

Remark: Use 100*100mm white card whose reflectivity is greater than 90%

Dimension



Miniature photoelectric sensor **PST** series



Feature description

- M3 threaded cylindrical installation, small size, easy to install and use
- With 360° visible bright LED status indicator
- Good anti-light interference, high product stability
- Retro-reflective, stable detection of translucent and opaque objects



Model specification

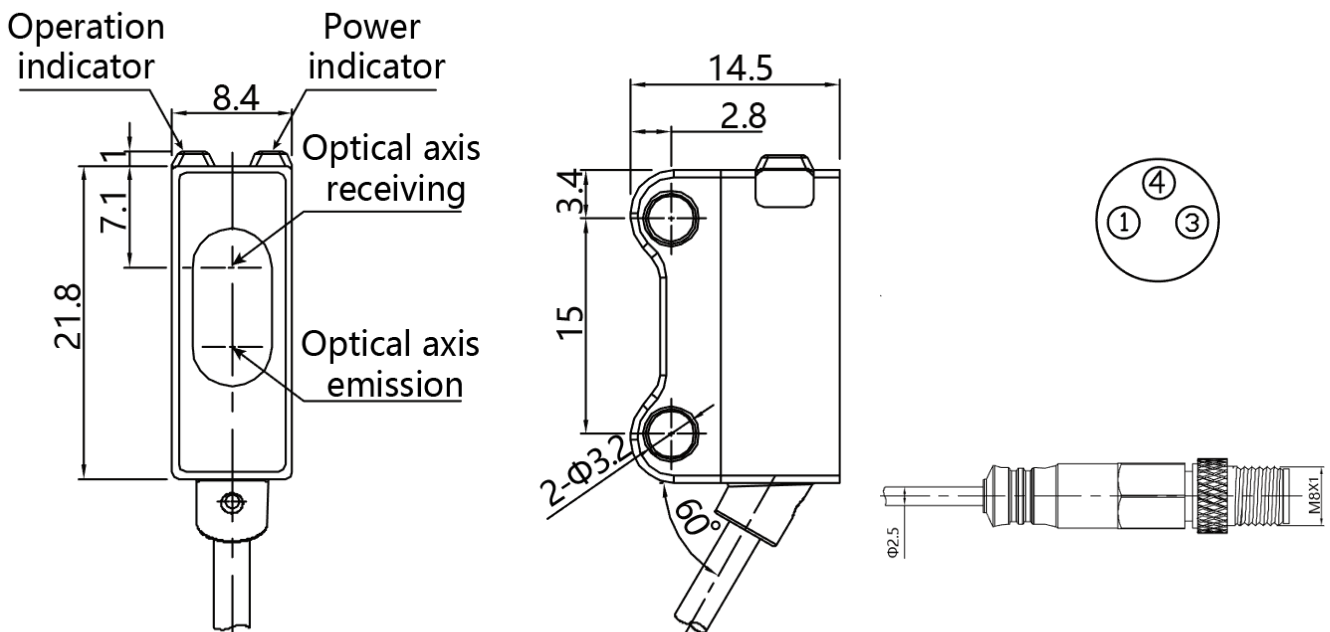
NPN NO	PST-DC25DNOR-F3	PNP NO	PST-DC25DPOR-F3
NPN NC	PST-DC25DNCR-F3	PNP NC	PST-DC25DPCR-F3

Specifications

Detection type	Retro reflection		Yellow:output indication
Sensing distance	25cm※	Response time	<1ms
Min target	φ1mm opaque or translucent objects above	Anti ambient light	Sunlight interference ≤10,000 lux
Spot size	10mm@25cm		Incandescent light interference ≤3,000 lux
Supply voltage	10...30VDC	Operation temperature	-20...55°C
Consumption current	≤15mA	Storage temperature	-30...70 °C
Load current	≤50mA	Protection degree	IP65
Voltage drop	≤1.5V	Shell material	ABS
Light source	Red light(640nm)	Lens	PMMA
Protection circuit	Short circuit,reverse polarity,overload protection	Connection	20cm PVC+M8 connector (3-pins)
Indicator	Green:power supply indicator,stability indication	Accessory	Screws(M3×16mm)×2、Nut×2、Reflector(TD-11)、Operation manual

※ Use reflectors TD-11

Dimension



Miniature photoelectric sensor PST series



Feature description

- M3 threaded cylindrical installation, small size, easy to install and use
- With 360° visible bright LED status indicator
- Good anti-light interference, high product stability
- Retro-reflective, stable detection of translucent and opaque objects



Model specification

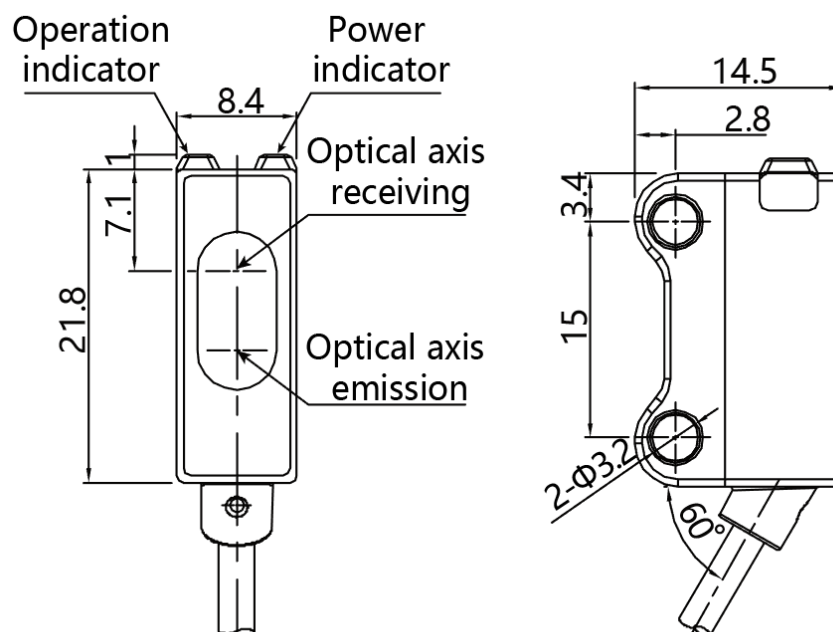
NPN NO	PST-DC25DNOR	PNP NO	PST-DC25DPOR
NPN NC	PST-DC25DNCR	PNP NC	PST-DC25DPCR

Specifications

Detection type	Retro reflection		Yellow:output indication
Sensing distance	25cm※	Response time	<1ms
Standard target	φ3mm opaque or translucent objects above	Anti ambient light	Sunlight interference ≤10,000 lux
Min target	φ1mm opaque or translucent objects above		Incandescent light interference ≤3,000 lux
Spot size	10mm@25cm	Operation temperature	-20...55°C
Supply voltage	10...30VDC	Storage temperature	-30...70°C
Consumption current	≤15mA	Protection degree	IP65
Load current	≤50mA	Shell material	ABS
Voltage drop	≤1.5V	Lens	PMMA
Light source	Red light(640nm)	Connection	2m PVC cable
Protection circuit	Short circuit,reverse polarity,overload protection	Accessory	Screws(M3×16mm)×2、Nut×2、Reflector(TD-11)、Operation manual
Indicator	Green:power supply indicator,stability indication		

※ Use reflectors TD-11

Dimension



По вопросам продаж и поддержки обращайтесь:

Алматы (727)345-47-04
Ангарск (3955)60-70-56
Архангельск (8182)63-90-72
Астрахань (8512)99-46-04
Барнаул (3852)73-04-60
Белгород (4722)40-23-64
Благовещенск (4162)22-76-07
Брянск (4832)59-03-52
Владивосток (423)249-28-31
Владикавказ (8672)28-90-48
Владимир (4922)49-43-18
Волгоград (844)278-03-48
Вологда (8172)26-41-59
Воронеж (473)204-51-73
Екатеринбург (343)384-55-89

Иваново (4932)77-34-06
Ижевск (3412)26-03-58
Иркутск (395)279-98-46
Казань (843)206-01-48
Калининград (4012)72-03-81
Калуга (4842)92-23-67
Кемерово (3842)65-04-62
Киров (8332)68-02-04
Коломна (4966)23-41-49
Кострома (4942)77-07-48
Краснодар (861)203-40-90
Красноярск (391)204-63-61
Курск (4712)77-13-04
Курган (3522)50-90-47
Липецк (4742)52-20-81

Магнитогорск (3519)55-03-13
Москва (495)268-04-70
Мурманск (8152)59-64-93
Набережные Челны (8552)20-53-41
Новокузнецк (3843)20-46-81
Ноябрьск (3496)41-32-12
Новосибирск (383)227-86-73
Омск (3812)21-46-40
Орел (4862)44-53-42
Оренбург (3532)37-68-04
Пенза (8412)22-31-16
Петрозаводск (8142)55-98-37
Псков (8112)59-10-37
Пермь (342)205-81-47

Ростов-на-Дону (863)308-18-15
Рязань (4912)46-61-64
Самара (846)206-03-16
Санкт-Петербург (812)309-46-40
Саратов (845)249-38-78
Севастополь (8692)22-31-93
Саранск (8342)22-96-24
Симферополь (3652)67-13-56
Смоленск (4812)29-41-54
Сочи (862)225-72-31
Ставрополь (8652)20-65-13
Сургут (3462)77-98-35
Сыктывкар (8212)25-95-17
Тамбов (4752)50-40-97
Тверь (4822)63-31-35

Тольятти (8482)63-91-07
Томск (3822)98-41-53
Тула (4872)33-79-87
Тюмень (3452)66-21-18
Ульяновск (8422)24-23-59
Улан-Удэ (3012)59-97-51
Уфа (347)229-48-12
Хабаровск (4212)92-98-04
Чебоксары (8352)28-53-07
Челябинск (351)202-03-61
Череповец (8202)49-02-64
Чита (3022)38-34-83
Якутск (4112)23-90-97
Ярославль (4852)69-52-93

Россия +7(495)268-04-70

Казахстан +(727)345-47-04

Беларусь +(375)257-127-884

Узбекистан +998(71)205-18-59

Киргизия +996(312)96-26-47

эл.почта: ahj@nt-rt.ru || сайт: <https://lanbao.nt-rt.ru/>