

Фотоэлектрические миниатюрные датчики PSV-ТС15/ТМ/ТС50/SR25/BC/YR

Технические характеристики

По вопросам продаж и поддержки обращайтесь:

Алматы (727)345-47-04
Ангарск (3955)60-70-56
Архангельск (8182)63-90-72
Астрахань (8512)99-46-04
Барнаул (3852)73-04-60
Белгород (4722)40-23-64
Благовещенск (4162)22-76-07
Брянск (4832)59-03-52
Владивосток (423)249-28-31
Владикавказ (8672)28-90-48
Владимир (4922)49-43-18
Волгоград (844)278-03-48
Вологда (8172)26-41-59
Воронеж (473)204-51-73
Екатеринбург (343)384-55-89

Иваново (4932)77-34-06
Ижевск (3412)26-03-58
Иркутск (395)279-98-46
Казань (843)206-01-48
Калининград (4012)72-03-81
Калуга (4842)92-23-67
Кемерово (3842)65-04-62
Киров (8332)68-02-04
Коломна (4966)23-41-49
Кострома (4942)77-07-48
Краснодар (861)203-40-90
Красноярск (391)204-63-61
Курск (4712)77-13-04
Курган (3522)50-90-47
Липецк (4742)52-20-81

Магнитогорск (3519)55-03-13
Москва (495)268-04-70
Мурманск (8152)59-64-93
Набережные Челны (8552)20-53-41
Нижний Новгород (831)429-08-12
Новокузнецк (3843)20-46-81
Ноябрьск (3496)41-32-12
Новосибирск (383)227-86-73
Омск (3812)21-46-40
Орел (4862)44-53-42
Оренбург (3532)37-68-04
Пенза (8412)22-31-16
Петрозаводск (8142)55-98-37
Псков (8112)59-10-37
Пермь (342)205-81-47

Ростов-на-Дону (863)308-18-15
Рязань (4912)46-61-64
Самара (846)206-03-16
Санкт-Петербург (812)309-46-40
Саратов (845)249-38-78
Севастополь (8692)22-31-93
Саранск (8342)22-96-24
Симферополь (3652)67-13-56
Смоленск (4812)29-41-54
Сочи (862)225-72-31
Ставрополь (8652)20-65-13
Сургут (3462)77-98-35
Сыктывкар (8212)25-95-17
Тамбов (4752)50-40-97
Тверь (4822)63-31-35

Тольятти (8482)63-91-07
Томск (3822)98-41-53
Тула (4872)33-79-87
Тюмень (3452)66-21-18
Ульяновск (8422)24-23-59
Улан-Удэ (3012)59-97-51
Уфа (347)229-48-12
Хабаровск (4212)92-98-04
Чебоксары (8352)28-53-07
Челябинск (351)202-03-61
Череповец (8202)49-02-64
Чита (3022)38-34-83
Якутск (4112)23-90-97
Ярославль (4852)69-52-93

Россия +7(495)268-04-70

Казахстан +(727)345-47-04

Беларусь +(375)257-127-884

Узбекистан +998(71)205-18-59

Киргизия +996(312)96-26-47

эл.почта: ahj@nt-rt.ru || сайт: <https://lanbao.nt-rt.ru/>

Miniature photoelectric sensor PSV series



Feature description

- Front sensing
- Small size, easy to install and use
- With 360° visible bright LED status indicator
- Superior anti-light interference, stable product performance
- Red light source for easy adjustment and alignment



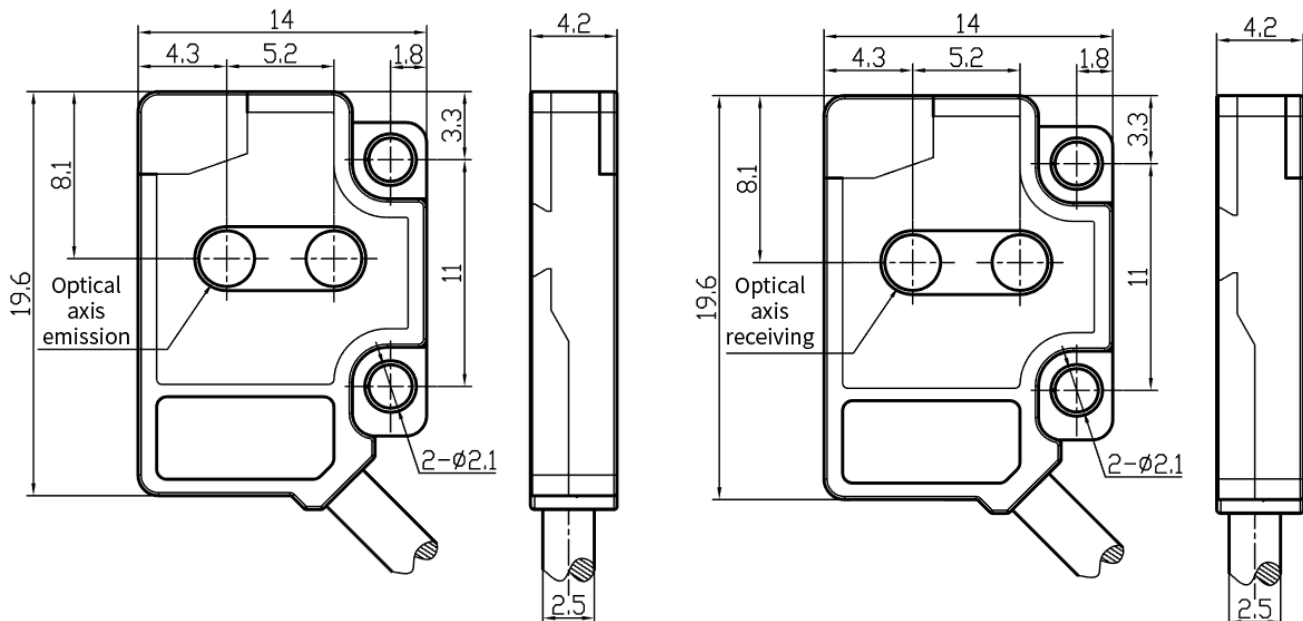
Model specification

	Emitter	Receiver		Emitter	Receiver
NPN NO	PSV-TC15DR	PSV-TC15DNOR	PNP NO	PSV-TC15DR	PSV-TC15DPOR
NPN NC	PSV-TC15DR	PSV-TC15DNCR	PNP NC	PSV-TC15DR	PSV-TC15DPCR

Specifications

Detection type	Through beam	Indicator	Green:power,stable indicator;Yellow:output indicator
Detection distance	15cm	Response time	<1ms
Standard test body	Φ2mm above opaque objects	Anti ambient light	Sunlight interference ≤10,000 lux
Direction angle	<2°		Incandescent light interference ≤3,000 lux
Light spot size	1*1cm@5cm	Operating temperature	-20...55 °C
Supply voltage	10...30VDC	Storage temperature	-30...70 °C
Consumption current	Emitter:≤10mA;Receiver:≤12mA	Protection degree	IP65
Load current	≤50mA	Shell material	PC+PBT
Voltage drop	<1.5V	Lens	PC
Light source	Red light(625nm)	Weight	20g
Protection circuit	Short circuit protection,Polarity protection	Connection	2m PVC cable
	Overload protection,Zener protection	Accessory	Screws(M2×8mm)×2, Nut×2

Dimension



Miniature photoelectric sensor PSV series



Feature description

- Small size, easy to install and use
- With 360° visible bright LED status indicator
- Superior anti-light interference, stable product performance
- Red light source for easy adjustment and alignment



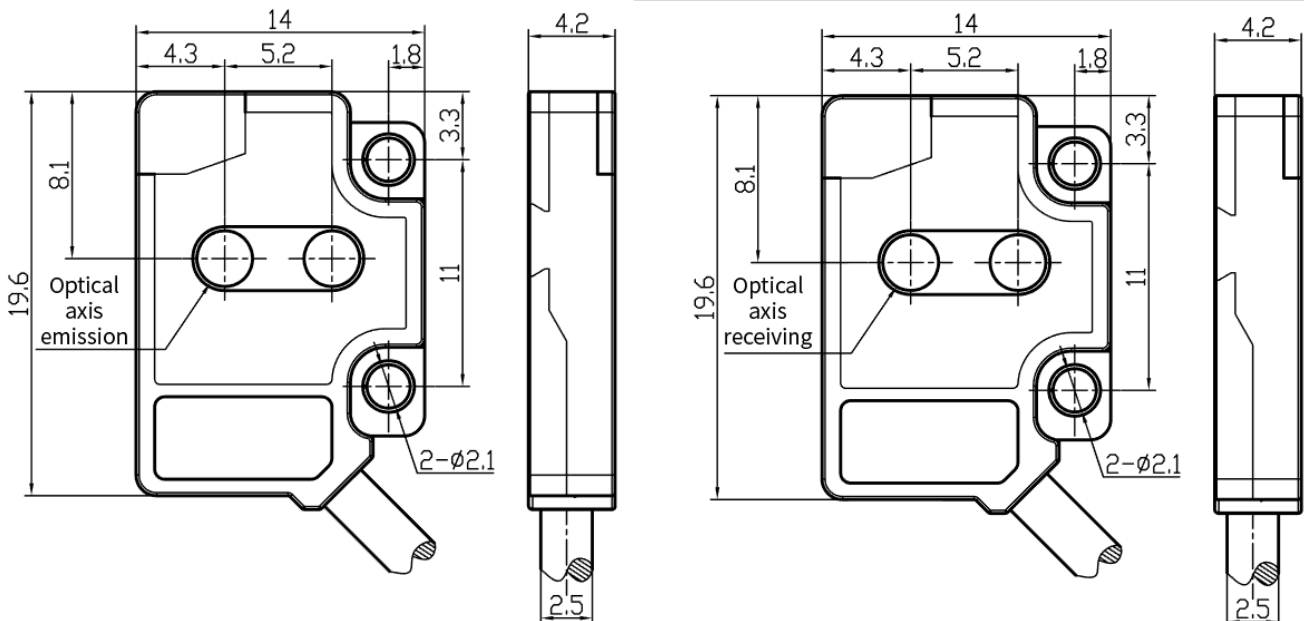
Model specification

	Emitter	Receiver		Emitter	Receiver
NPN NO	PSV-TM1DR	PSV-TM1DNOR	PNP NO	PSV-TM1DR	PSV-TM1DPOR
NPN NC	PSV-TM1DR	PSV-TM1DNCR	PNP NC	PSV-TM1DR	PSV-TM1DPCR

Specifications

Detection typ	Through beam	Indicator	Green:power,stable indicator;Yellow:output indicator
Detection distance	100cm	Response time	<1ms
Standard test body	Φ2mm above opaque objects	Anti ambient light	Sunlight interference ≤10,000 lux Incandescent light interference ≤3,000 lux
Direction angle	<2°	Operating temperature	-20...55 °C
Light spot size	10*10cm@50cm	Storage temperature	-30...70 °C
Supply voltage	10...30V DC	Protection degree	IP65
Consumption current	Emitter:≤10mA;Receiver:≤12mA	Shell material	PC+PBT
Load current	≤50mA	Lens	PC
Voltage drop	<1.5V	Weight	20g
Light source	Red light(625nm)	Connection	2m PVC cable
Protection circuit	Short circuit protection,Polarity protection Overload protection,Zener protection	Accessory	Screws(M2×8mm)×2、 Nut×2

Dimension



Miniature photoelectric sensor PSV series



Feature description

- Small size, easy to install and use
- With 360° visible bright LED status indicator
- Superior anti-light interference, stable product performance
- Red light source for easy adjustment and alignment



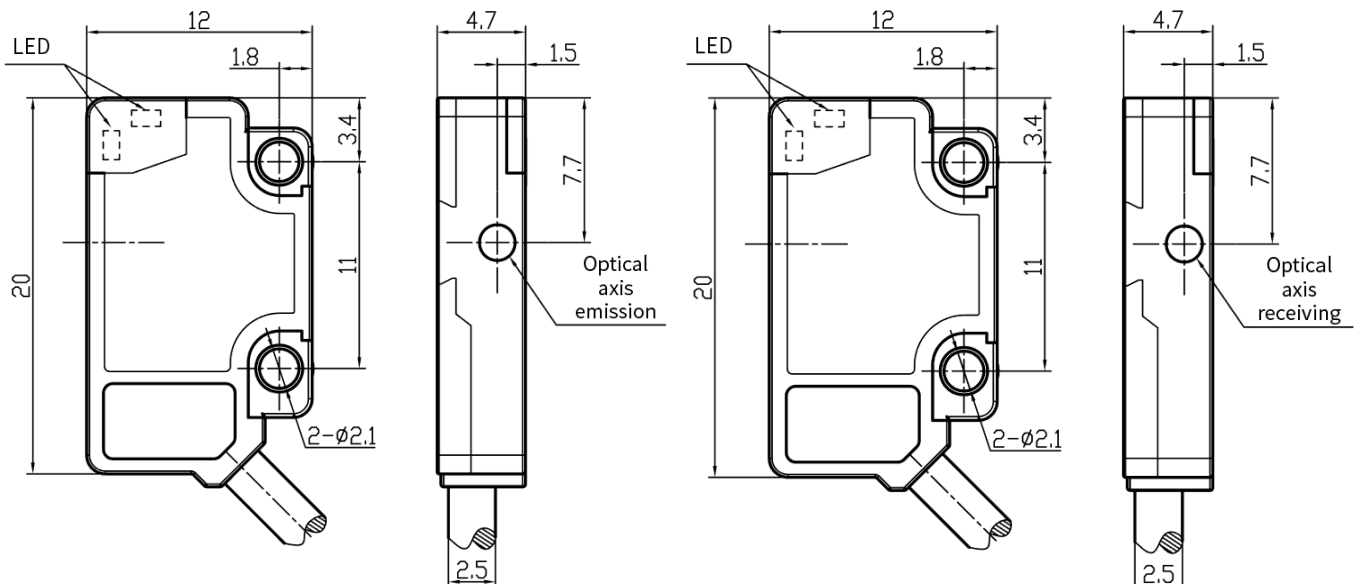
Model specification

	Emitter	Receiver		Emitter	Receiver
NPN NO	PSV-TM1DR-S	PSV-TM1DNOR-S	PNP NO	PSV-TM1DR-S	PSV-TM1DPOR-S
NPN NC	PSV-TM1DR-S	PSV-TM1DNCR-S	PNP NC	PSV-TM1DR-S	PSV-TM1DPCR-S

Specifications

Detection distance	Through beam	Indicator	Green:power,stable ;Yellow:output indicator
Detection distance	100cm	Response time	<1ms
Standard test body	Φ2mm above opaque objects	Anti ambient light	Sunlight interference ≤10,000 lux
Direction angle	<2°		Incandescent light interference ≤3,000 lux
Light spot size	7*7cm@50cm	Operating temperature	-20...55 °C
Supply voltage	10...30V DC	Storage temperature	-30...70 °C
Consumption current	Emitter:≤10mA;Receiver:≤12mA	Protection degree	IP65
Load current	≤50mA	Shell material	PC+PBT
Voltage drop	<1.5V	Lens	PMMA
Light source	Red light(640nm)	Weight	20g
Protection circuit	Short circuit protection,Polarity protection	Connection	2m PVC cable
	Overload protection,Zener protection	Accessory	Screws(M2×8mm)×2、 Nut×2

Dimension



Miniature photoelectric sensor PSV series

Feature description

- Side sensing
- Small size, easy to install and use
- With 360° visible bright LED status indicator
- Superior anti-light interference, stable product performance
- Red light source for easy adjustment and alignment



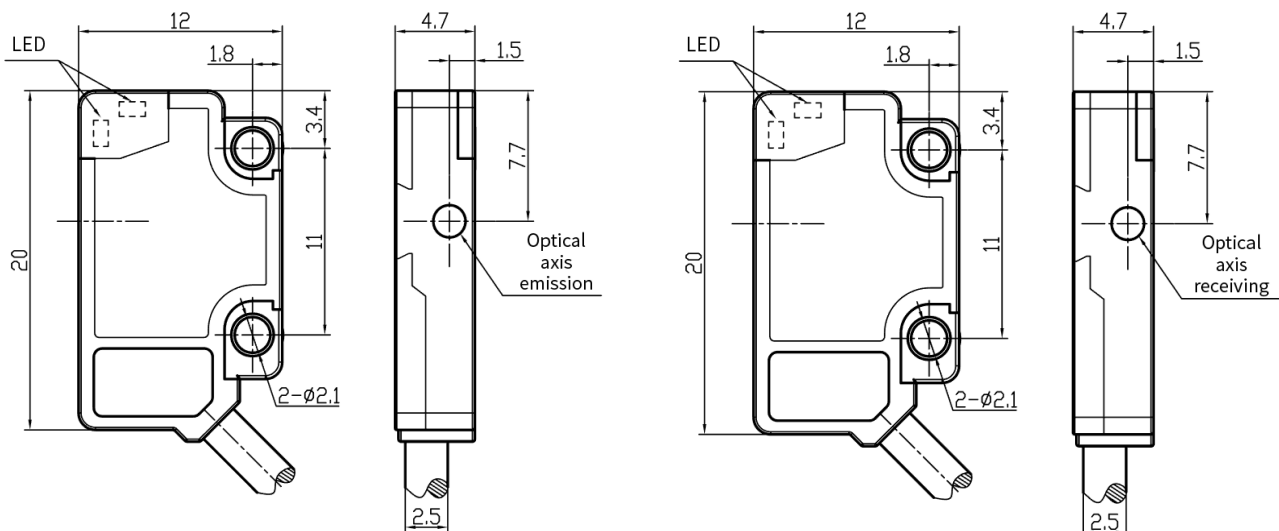
Model specification

Output type	Order number	Model	Output type	Order number	Model
NPN NO	PSV-TC50DR/NO-S	Emitter PSV-TC50DR-S	PNP NO	PSV-TC50DR/PO-S	Emitter PSV-TC50DR-S
		Receiver PSV-TC50DNOR-S			Receiver PSV-TC50DPOR-S
NPN NC	PSV-TC50DR/NC-S	Emitter PSV-TC50DR-S	PNP NC	PSV-TC50DR/PC-S	Emitter PSV-TC50DR-S
		Receiver PSV-TC50DNCR-S			Receiver PSV-TC50DPCR-S

Specifications

Detection typ	Through beam	Indicator	Green:power,stable indicator;Yellow:output indicator
Detection distance	50cm	Response time	< 1ms
Standard test body	Φ2mm above opaque objects	Anti ambient light	Sunlight interference ≤10,000 lux Incandescent light interference ≤3,000 lux
Direction angle	<2°	Operating temperature	-20...55 °C
Light spot size	7*7cm@50cm	Storage temperature	-30...70 °C
Supply voltage	10...30VDC	Protection degree	IP65
Consumption current	Emitter:≤10mA;Receiver:≤12mA	Shell material	PC+PBT
Load current	≤50mA	Lens	PMMA
Voltage drop	<1.5V	Weight	20g
Light source	Red light(640nm)	Connection	2m PVC cable
Protection circuit	Short circuit protection,Polarity protection Overload protection,Zener protection	Accessory	Screws(M2×8mm)×2、 Nut×2

Dimension



Miniature photoelectric sensor PSV series



Feature description

- Side sensing
- Small size, easy to install and use
- With 360° visible bright LED status indicator
- Superior anti-light interference, stable product performance
- Red light source for easy adjustment and alignment



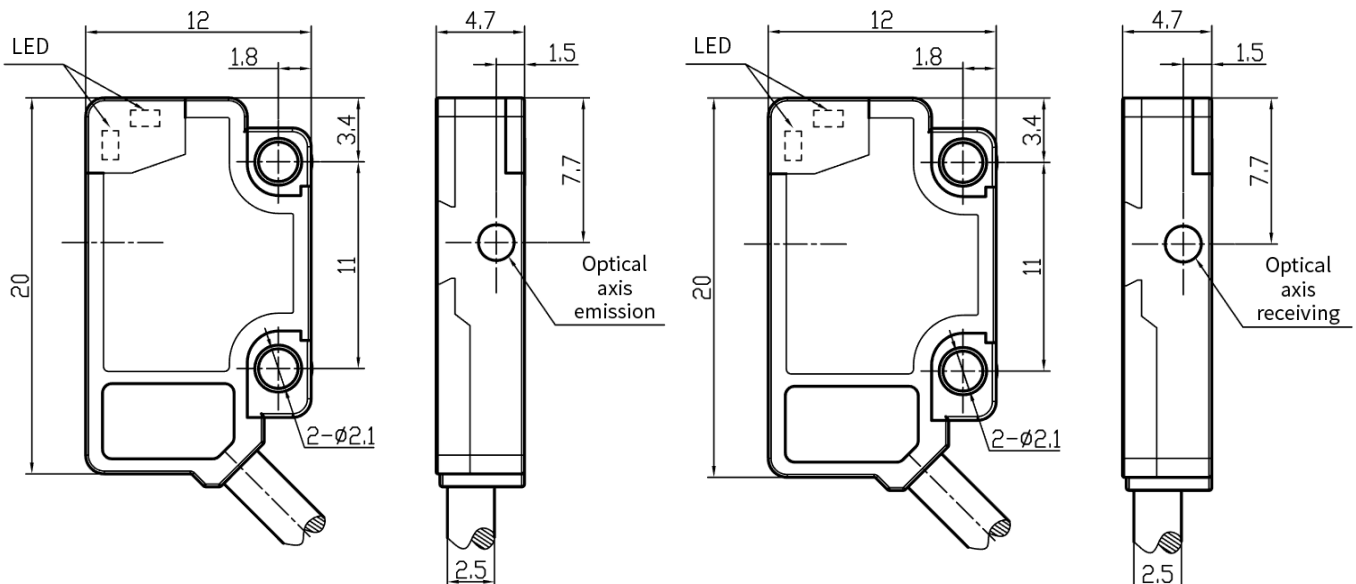
Model specification

	Emitter	Receiver		Emitter	Receiver
NPN NO	PSV-TC50DR-S	PSV-TC50DNOR-S	PNP NO	PSV-TC50DR-S	PSV-TC50DPOR-S
NPN NC	PSV-TC50DR-S	PSV-TC50DNCR-S	PNP NC	PSV-TC50DR-S	PSV-TC50DPCR-S

Specifications

Detection typ	Through beam	Indicator	Green:power,stable indicator;Yellow:output indicator
Detection distance	50cm	Response time	<1ms
Standard test body	Φ2mm above opaque objects	Anti ambient light	Sunlight interference ≤10,000 lux Incandescent light interference ≤3,000 lux
Direction angle	<2°	Operating temperature	-20...55 °C
Light spot size	7*7cm@50cm	Storage temperature	-30...70 °C
Supply voltage	10...30VDC	Protection degree	IP65
Consumption current	Emitter:≤10mA;Receiver:≤12mA	Shell material	PC+PBT
Load current	≤50mA	Lens	PMMA
Voltage drop	<1.5V	Weight	20g
Light source	Red light(640nm)	Connection	2m PVC cable
Protection circuit	Short circuit protection,Polarity protection Overload protection,Zener protection	Accessory	Screws(M2×8mm)×2、Nut×2

Dimension



Miniature photoelectric sensor PSV series



Feature description

- Small size, easy to install and use
- With 360° visible bright LED status indicator
- Superior anti-light interference, stable product performance
- Red light source for easy adjustment and alignment



Model specification

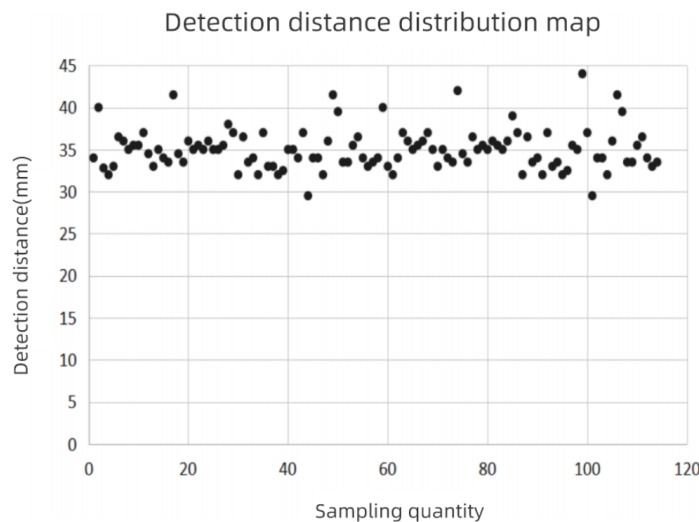
NPN NO	PSV-SR25DNOR	PNP NO	PSV-SR25DPOR
NPN NC	PSV-SR25DNCR	PNP NC	PSV-SR25DPCR

Specifications

Detection type	Limited reflection	Indicator	Green:power,stable indicator;Yellow:output indicator
Detection distance	25mm [Ⓢ]	Response time	T-on:<1ms;T-off:<1ms
Dead zone	<2mm	Anti ambient light	Sunlight interference ≤10,000 lux
Standard test body	0.1mm Copper wire(at the detection distance of 10mm)		Incandescent light interference ≤3,000 lux
Hysteresis	<20%	Operating temperature	-20...55 °C
Supply voltage	10...30V DC	Storage temperature	-30...70 °C
Consumption current	≤15mA	Protection degree	IP65
Load current	≤50mA	Shell material	PC+PBT
Voltage drop	<1.5V	Lens	PC
Light source	Red light(640nm)	Weight	22g
Protection circuit	Short circuit protection,Polarity protection	Connection	2m PVC cable
	Overload protection,Zener protection	Accessory	Screws(M2×8mm)×2、Nut×2

ⓈMeasured by 50*50mm white card with reflectance greater than 90%, the following figure is the distance distribution diagram of product sampling

Distance distribution map



The detection distance in the above distribution diagram is measured by 50*50mm white card with reflectance greater than 90%, and the maximum detection distance of the product is 45mm

Miniature photoelectric sensor PSV series



Feature description

- Small size, easy to install and use
- With 360° visible bright LED status indicator
- Superior anti-light interference, stable product performance
- Red light source for easy adjustment and alignment



Model specification

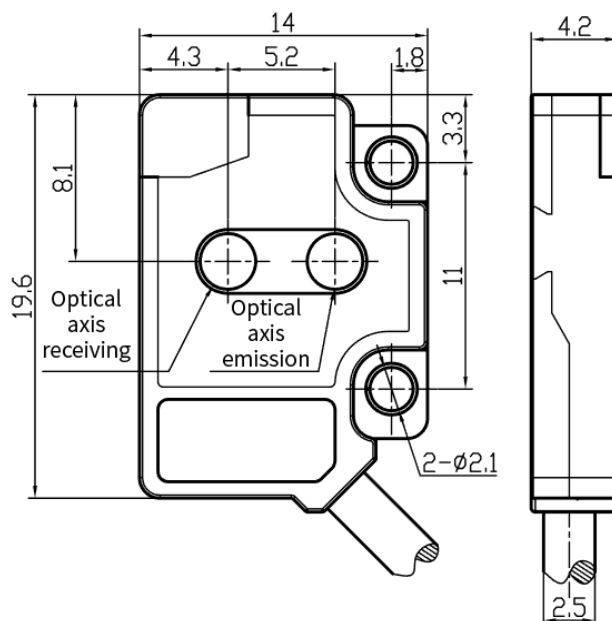
NPN NO	PSV-BC10DNOR	PNP NO	PSV-BC10DPOR
NPN NC	PSV-BC10DNCR	PNP NC	PSV-BC10DPCR

Specifications

Detection type	Diffuse reflection	Indicator	Green:power,stable indicator;Yellow:output indicator
Detection distance	10cm ^①	Response time	<1ms
Dead zone	<5mm	Anti ambient light	Sunlight interference ≤10,000 lux
Standard test body	50*50mm white cards		Incandescent light interference ≤3,000 lux
Light spot size	15mm@10cm	Operating temperature	-20...55 °C
Hysteresis	3...20%	Storage temperature	-30...70 °C
Supply voltage	10...30V DC	Protection degree	IP65
Consumption current	≤15mA	Shell material	PC+PBT
Load current	≤50mA	Lens	PC
Voltage drop	<1.5V	Weight	22g
Light source	Red light(640nm)	Connection	2m PVC cable
Protection circuit	Short circuit protection,Polarity protection	Accessory	Screws(M2×8mm)×2, Nut×2
	Overload protection,Zener protection		

①Use 50*50mm white card with reflectivity greater than 90%

Dimension



Miniature photoelectric sensor PSV series



Feature description

- Small size, easy to install and use
- With 360° visible bright LED status indicator
- Superior anti-light interference, stable product performance
- Stable detection of black and white objects



Model specification

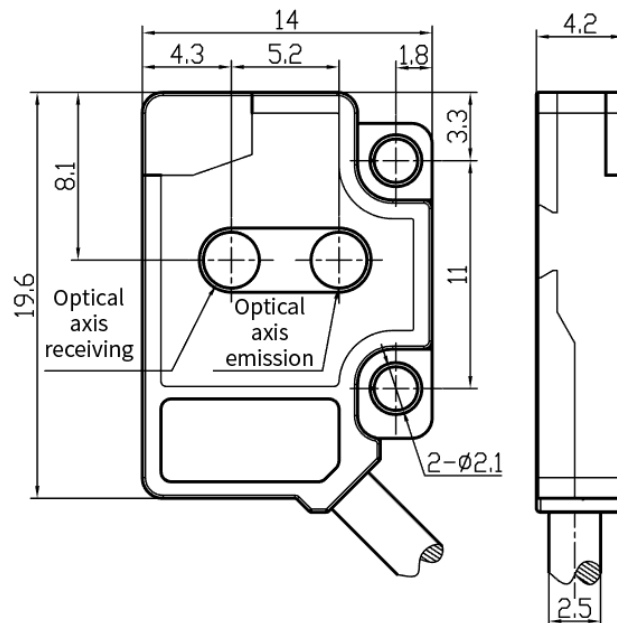
NPN NO	PSV-YR15DNOS	PNP NO	PSV-YR15DPOS
NPN NC	PSV-YR15DNCS	PNP NC	PSV-YR15DPCS

Specifications

Detection typ	Background suppression		overload protection, zener protection
Detection distance	15mm ^①	Indicator	Green: power, stable indicator; Yellow: output indicator
Dead zone	<2mm	Response time	<1ms
Standard test body	50*50mm white cards	Anti ambient light	Sunlight interference ≤10,000 lux
Light spot size	3mm@15mm		Incandescent light interference ≤3,000 lux
Color sensitivity	> 85%	Operating temperature	-20...55 °C
Hysteresis	< 20%	Storage temperature	-30...70 °C
Supply voltage	10...30V DC, ripple 10% VP-P	Protection degree	IP65
Consumption current	≤15mA	Shell material	PC+PBT
Load current	≤50mA	Lens	PC
Voltage drop	< 1.5V	Weight	22g
Light source	Red light (630nm)	Connection	2m PVC cable
Protection circuit	Short circuit protection, polarity protection	Accessory	Screws(M2×8mm)×2, nut×2

①Use 50*50mm white card with reflectivity greater than 90%

Dimension



Miniature photoelectric sensor PSV series



Feature description

- Small size, easy to install and use
- With 360° visible bright LED status indicator
- Superior anti-light interference, stable product performance
- Stable detection of black and white objects



Model specification

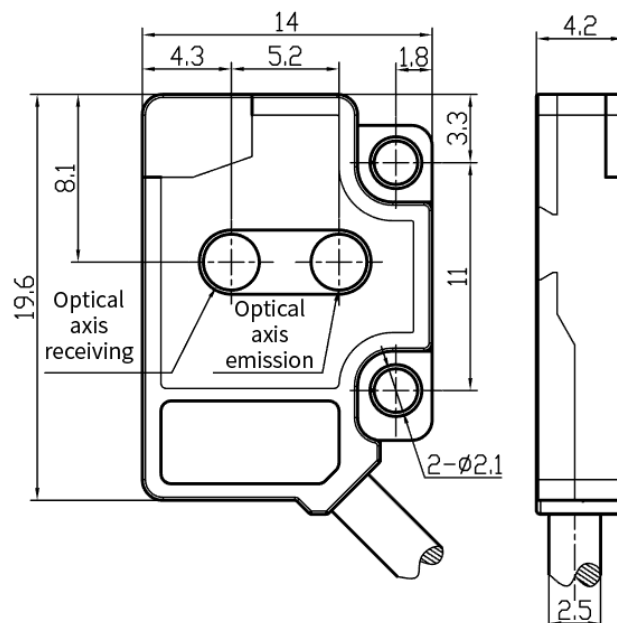
NPN NO	PSV-YR30DNOS
NPN NC	PSV-YR30DNCS

Specifications

Detection typ	Background suppression		overload protection, zener protection
Detection distance	30mm ^①	Indicator	Green: power, stable indicator; Yellow: output indicator
Dead zone	<4mm	Response time	<1ms
Standard test body	50*50mm white cards	Anti ambient light	Sunlight interference ≤10,000 lux
Light spot size	5mm@30mm		Incandescent light interference ≤3,000 lux
Color sensitivity	> 75%	Operating temperature	-20...55 °C
Hysteresis	< 20%	Storage temperature	-30...70 °C
Supply voltage	10...30V DC, ripple 10% VP-P	Protection degree	IP65
Consumption current	≤15mA	Shell material	PC+PBT
Load current	≤50mA	Lens	PC
Voltage drop	< 1.5V	Weight	22g
Light source	Red light (630nm)	Connection	2m PVC cable
Protection circuit	Short circuit protection, polarity protection	Accessory	Screws(M2×8mm)×2, nut×2

①Use 50*50mm white card with reflectivity greater than 90%

Dimension



По вопросам продаж и поддержки обращайтесь:

Алматы (727)345-47-04
Ангарск (3955)60-70-56
Архангельск (8182)63-90-72
Астрахань (8512)99-46-04
Барнаул (3852)73-04-60
Белгород (4722)40-23-64
Благовещенск (4162)22-76-07
Брянск (4832)59-03-52
Владивосток (423)249-28-31
Владикавказ (8672)28-90-48
Владимир (4922)49-43-18
Волгоград (844)278-03-48
Вологда (8172)26-41-59
Воронеж (473)204-51-73
Екатеринбург (343)384-55-89

Иваново (4932)77-34-06
Ижевск (3412)26-03-58
Иркутск (395)279-98-46
Казань (843)206-01-48
Калининград (4012)72-03-81
Калуга (4842)92-23-67
Кемерово (3842)65-04-62
Киров (8332)68-02-04
Коломна (4966)23-41-49
Кострома (4942)77-07-48
Краснодар (861)203-40-90
Красноярск (391)204-63-61
Курск (4712)77-13-04
Курган (3522)50-90-47
Липецк (4742)52-20-81

Магнитогорск (3519)55-03-13
Москва (495)268-04-70
Мурманск (8152)59-64-93
Набережные Челны (8552)20-53-41
Новокузнецк (3843)20-46-81
Ноябрьск (3496)41-32-12
Новосибирск (383)227-86-73
Омск (3812)21-46-40
Орел (4862)44-53-42
Оренбург (3532)37-68-04
Пенза (8412)22-31-16
Петрозаводск (8142)55-98-37
Псков (8112)59-10-37
Пермь (342)205-81-47

Ростов-на-Дону (863)308-18-15
Рязань (4912)46-61-64
Самара (846)206-03-16
Санкт-Петербург (812)309-46-40
Саратов (845)249-38-78
Севастополь (8692)22-31-93
Саранск (8342)22-96-24
Симферополь (3652)67-13-56
Смоленск (4812)29-41-54
Сочи (862)225-72-31
Ставрополь (8652)20-65-13
Сургут (3462)77-98-35
Сыктывкар (8212)25-95-17
Тамбов (4752)50-40-97
Тверь (4822)63-31-35

Тольятти (8482)63-91-07
Томск (3822)98-41-53
Тула (4872)33-79-87
Тюмень (3452)66-21-18
Ульяновск (8422)24-23-59
Улан-Удэ (3012)59-97-51
Уфа (347)229-48-12
Хабаровск (4212)92-98-04
Чебоксары (8352)28-53-07
Челябинск (351)202-03-61
Череповец (8202)49-02-64
Чита (3022)38-34-83
Якутск (4112)23-90-97
Ярославль (4852)69-52-93

Россия +7(495)268-04-70

Казахстан +(727)345-47-04

Беларусь +(375)257-127-884

Узбекистан +998(71)205-18-59

Киргизия +996(312)96-26-47

эл.почта: ahj@nt-rt.ru || сайт: <https://lanbao.nt-rt.ru/>