

Фотоэлектрические датчики PSE-УС35/УС15/УС5

Технические характеристики

По вопросам продаж и поддержки обращайтесь:

Алматы (727)345-47-04
Ангарск (3955)60-70-56
Архангельск (8182)63-90-72
Астрахань (8512)99-46-04
Барнаул (3852)73-04-60
Белгород (4722)40-23-64
Благовещенск (4162)22-76-07
Брянск (4832)59-03-52
Владивосток (423)249-28-31
Владикавказ (8672)28-90-48
Владимир (4922)49-43-18
Волгоград (844)278-03-48
Вологда (8172)26-41-59
Воронеж (473)204-51-73
Екатеринбург (343)384-55-89

Иваново (4932)77-34-06
Ижевск (3412)26-03-58
Иркутск (395)279-98-46
Казань (843)206-01-48
Калининград (4012)72-03-81
Калуга (4842)92-23-67
Кемерово (3842)65-04-62
Киров (8332)68-02-04
Коломна (4966)23-41-49
Кострома (4942)77-07-48
Краснодар (861)203-40-90
Красноярск (391)204-63-61
Курск (4712)77-13-04
Курган (3522)50-90-47
Липецк (4742)52-20-81

Магнитогорск (3519)55-03-13
Москва (495)268-04-70
Мурманск (8152)59-64-93
Набережные Челны (8552)20-53-41
Нижний Новгород (831)429-08-12
Новокузнецк (3843)20-46-81
Ноябрьск (3496)41-32-12
Новосибирск (383)227-86-73
Омск (3812)21-46-40
Орел (4862)44-53-42
Оренбург (3532)37-68-04
Пенза (8412)22-31-16
Петрозаводск (8142)55-98-37
Псков (8112)59-10-37
Пермь (342)205-81-47

Ростов-на-Дону (863)308-18-15
Рязань (4912)46-61-64
Самара (846)206-03-16
Санкт-Петербург (812)309-46-40
Саратов (845)249-38-78
Севастополь (8692)22-31-93
Саранск (8342)22-96-24
Симферополь (3652)67-13-56
Смоленск (4812)29-41-54
Сочи (862)225-72-31
Ставрополь (8652)20-65-13
Сургут (3462)77-98-35
Сыктывкар (8212)25-95-17
Тамбов (4752)50-40-97
Тверь (4822)63-31-35

Тольятти (8482)63-91-07
Томск (3822)98-41-53
Тула (4872)33-79-87
Тюмень (3452)66-21-18
Ульяновск (8422)24-23-59
Улан-Удэ (3012)59-97-51
Уфа (347)229-48-12
Хабаровск (4212)92-98-04
Чебоксары (8352)28-53-07
Челябинск (351)202-03-61
Череповец (8202)49-02-64
Чита (3022)38-34-83
Якутск (4112)23-90-97
Ярославль (4852)69-52-93

Россия +7(495)268-04-70

Казахстан +(727)345-47-04

Беларусь +(375)257-127-884

Узбекистан +998(71)205-18-59

Киргизия +996(312)96-26-47

эл.почта: ahj@nt-rt.ru || сайт: <https://lanbao.nt-rt.ru/>

Plastic square photoelectric sensor PSE series



Features

- Laser light source, long distance
- Ultra-small light spot, accurate positioning
- Universal dimension
- IP67 protection grade, suitable for harsh environments



Part number

NPN NO+NC	PSE-YC35DNRL	PNP NO+NC	PSE-YC35DPRL
-----------	--------------	-----------	--------------

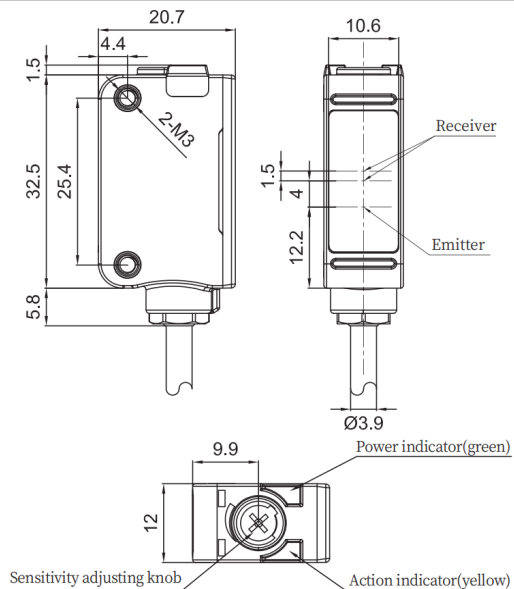
Technical specifications

Detection method	Background suppression	Circuit protection	Short circuit protection, overload protection, reverse polarity protection, zener protection
Detection distance	35cm	Indicator	Green light:power, stable signal Yellow light:output, overload or short circuit(flash)
Output type	NPN NO+NC Or PNP NO+NC	Anti ambient light	Anti-sunlight interference ≤10,000lux; Incandescent light interference ≤3,000lux
Distance adjustment	Multi-turn knob adjustment	Operating temperature	-10°C...50°C(no frost or condensation on lens surfaces)
Light spot size	≤2mm@35cm	Storage temperature	-40°C...70°C(no frost or condensation on lens surfaces)
NO/NC adjustment	Black wire NO, white wire NC	Protection degree	IP67
Supply voltage	10...30 VDC, Ripple≤10%VP-P	Production standard	EN60947-5-2:2012、IEC60947-5-2:2012
Consumption current	≤20mA	Material	Housing:PC+ABS; Optical elements:Plastic PMMA
Load current	≤100mA	Weight	50g
Voltage drop	≤1.5V	Connection	2m PVC cable
Light source	Red laser(650nm) Class1		
Response time	T-on:≤0.5ms;T-off:≤0.5ms		
Hysteresis range	<5%		
Blind zone	< 10mm*		

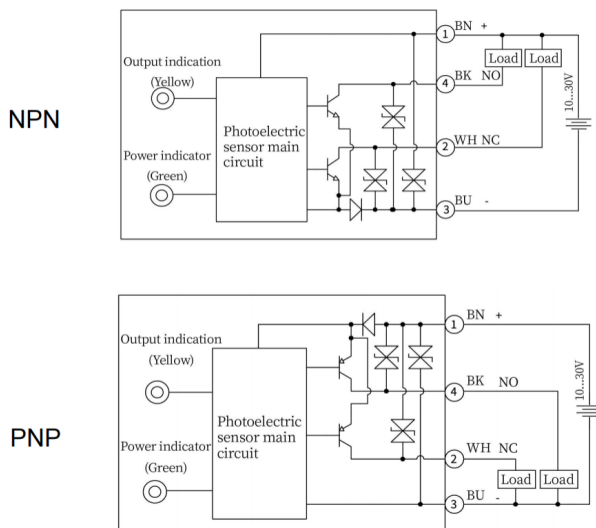
*Blind zone of white card with 90% reflectivity is < 2mm; Blind zone of black card with 6% reflectivity is < 5mm.

When using the product, if there is side-by-side installation, please keep the interval between two adjacent sensors>5cm; at the same time, avoid opposite installation, please use staggered.

Dimensions



Wiring diagram



Plastic square photoelectric sensor PSE series



Features

- Laser light source, long distance
- Ultra-small light spot, accurate positioning
- Universal dimension
- IP67 protection grade, suitable for harsh environments



Part number

NPN NO+NC	PSE-YC35DNRL-E3	PNP NO+NC	PSE-YC35DPRL-E3
-----------	-----------------	-----------	-----------------

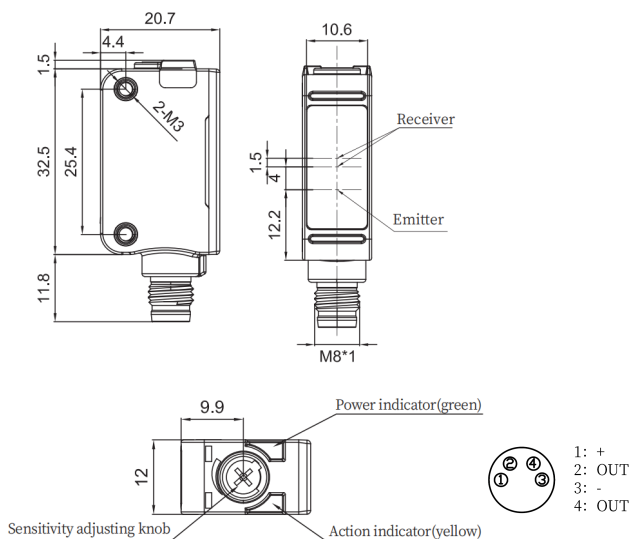
Technical specifications

Detection method	Background suppression	Circuit protection	Short circuit protection, overload protection, reverse polarity protection, zener protection
Detection distance	35cm	Indicator	Green light:power, stable signal Yellow light:output, overload or short circuit(flash)
Output type	NPN NO+NC Or PNP NO+NC	Anti ambient light	Anti-sunlight interference ≤10,000lux; Incandescent light interference ≤3,000lux
Distance adjustment	Multi-turn knobadjustment	Operating temperature	-10°C...50°C(no frost or condensation on lens surfaces)
Light spot size	≤2mm@35cm	Storage temperature	-40°C...70°C(no frost or condensation on lens surfaces)
NO/NC adjustment	Black wire NO, white wire NC	Protection degree	IP67
Supply voltage	10...30VDC, Ripple≤10%VP-P	Production standard	EN60947-5-2:2012、IEC60947-5-2:2012
Consumption current	≤20mA	Material	Housing:PC+ABS; Optical elements:Plastic PMMA
Load current	≤100mA	Weight	10g
Voltage drop	≤1.5V	Connection	M8 4-pin connector
Light source	Red laser(650nm) Class1		
Response time	T-on:≤0.5ms;T-off:≤0.5ms		
Hysteresis range	<5%		
Blind zone	< 10mm*		

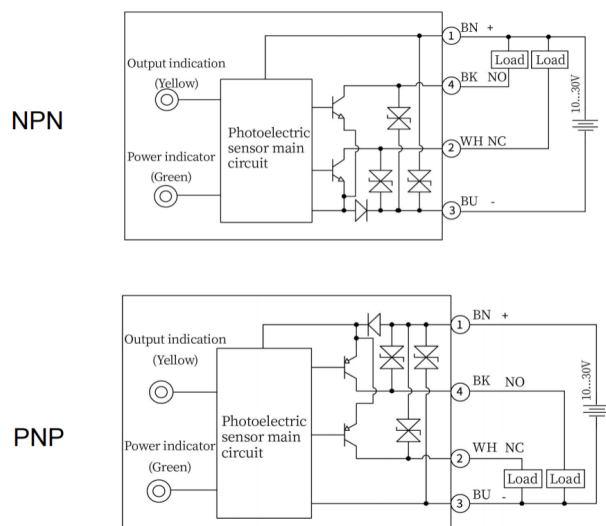
*Blind zone of white card with 90% reflectivity is < 2mm; Blind zone of black card with 6% reflectivity is < 5mm.

When using the product, if there is side-by-side installation, please keep the interval between two adjacent sensors>5cm; at the same time, avoid opposite installation, please use staggered.

Dimensions



Wiring diagram



Plastic square photoelectric sensor PSE series



Features

- Laser light source, long distance
- Ultra-small light spot, accurate positioning
- Universal dimension
- IP67 protection grade, suitable for harsh environments



Part number

NPN NO+NC	PSE-YC15DNRL	PNP NO+NC	PSE-YC15DPRL
-----------	--------------	-----------	--------------

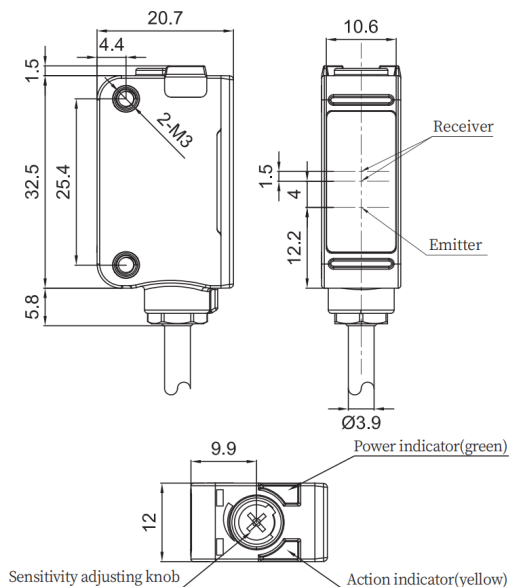
Technical specifications

Detection method	Background suppression	Circuit protection	Short circuit protection, overload protection, reverse polarity protection, zener protection
Detection distance	15cm	Indicator	Green light:power, stable signal Yellow light:output, overload or short circuit(flash)
Output type	NPN NO+NC Or PNP NO+NC	Anti ambient light	Anti-sunlight interference $\leq 10,000\text{lux}$; Incandescent light interference $\leq 3,000\text{lux}$
Distance adjustment	Multi-turn knob adjustment	Operating temperature	$-10^{\circ}\text{C} \dots 50^{\circ}\text{C}$ (no frost or condensation on lens surfaces)
Light spot size	$\leq 2\text{mm}@15\text{cm}$	Storage temperature	$-40^{\circ}\text{C} \dots 70^{\circ}\text{C}$ (no frost or condensation on lens surfaces)
NO/NC adjustment	Black wire NO, white wire NC	Protection degree	IP67
Supply voltage	$10 \dots 30\text{VDC}$, Ripple $\leq 10\% \text{VP-P}$	Production standard	EN60947-5-2:2012、IEC60947-5-2:2012
Consumption current	$\leq 20\text{mA}$	Material	Housing:PC+ABS; Optical elements:Plastic PMMA
Load current	$\leq 100\text{mA}$	Weight	50g
Voltage drop	$\leq 1.5\text{V}$	Connection	2m PVC cable
Light source	Red laser(650nm) Class1		
Response time	T-on: $\leq 0.5\text{ms}$; T-off: $\leq 0.5\text{ms}$		
Hysteresis range	$< 5\%$		
Blind zone	$< 10\text{mm}^*$		

*Blind zone of white card with 90% reflectivity is $< 2\text{mm}$; Blind zone of black card with 6% reflectivity is $< 5\text{mm}$.

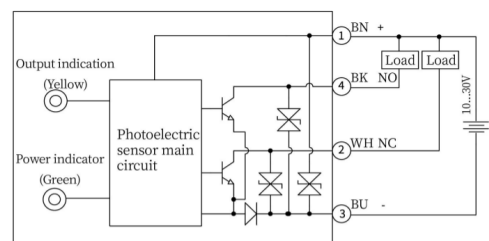
When using the product, if there is side-by-side installation, please keep the interval between two adjacent sensors $> 5\text{cm}$; at the same time, avoid opposite installation, please use staggered.

Dimensions

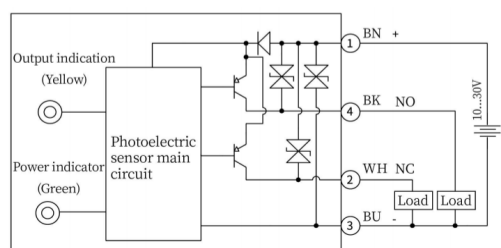


Wiring diagram

NPN



PNP



Plastic square photoelectric sensor PSE series



Features

- Laser light source, long distance
- Ultra-small light spot, accurate positioning
- Universal dimension
- IP67 protection grade, suitable for harsh environments



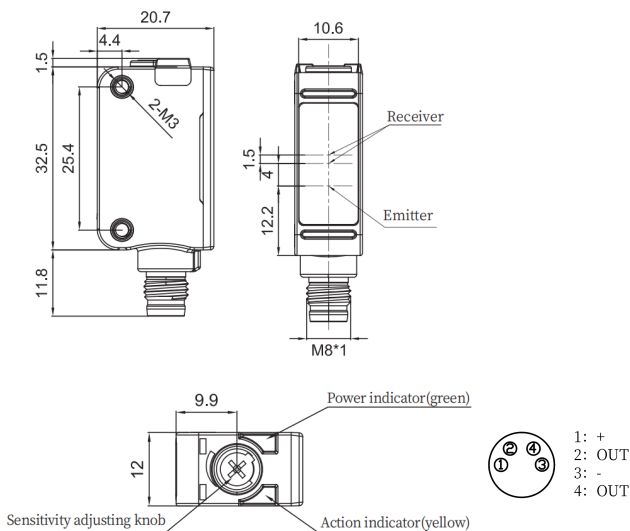
Part number			
NPN NO+NC	PSE-YC15DNRL-E3	PNP NO+NC	PSE-YC15DPRL-E3

Technical specifications			
Detection method	Background suppression	Circuit protection	Short circuit protection, overload protection, reverse polarity protection, zener protection
Detection distance	15cm	Indicator	Green light:power, stable signal Yellow light:output, overload or short circuit(flash)
Output type	NPN NO+NC Or PNP NO+NC	Anti ambient light	Anti-sunlight interference ≤10,000lux; Incandescent light interference ≤3,000lux
Distance adjustment	Multi-turn knobadjustment	Operating temperature	-10°C...50°C(no frost or condensation on lens surfaces)
Light spot size	≤2mm@15cm	Storage temperature	-40°C...70°C(no frost or condensation on lens surfaces)
NO/NC adjustment	Black wire NO, white wire NC	Protection degree	IP67
Supply voltage	10...30VDC, Ripple≤10%VP-P	Production standard	EN60947-5-2:2012、IEC60947-5-2:2012
Consumption current	≤20mA	Material	Housing:PC+ABS; Optical elements:Plastic PMMA
Load current	≤100mA	Weight	10g
Voltage drop	≤1.5V	Connection	M8 4-pin connector
Light source	Red laser(650nm) Class1		
Response time	T-on:≤0.5ms;T-off:≤0.5ms		
Hysteresis range	<5%		
Blind zone	< 10mm*		

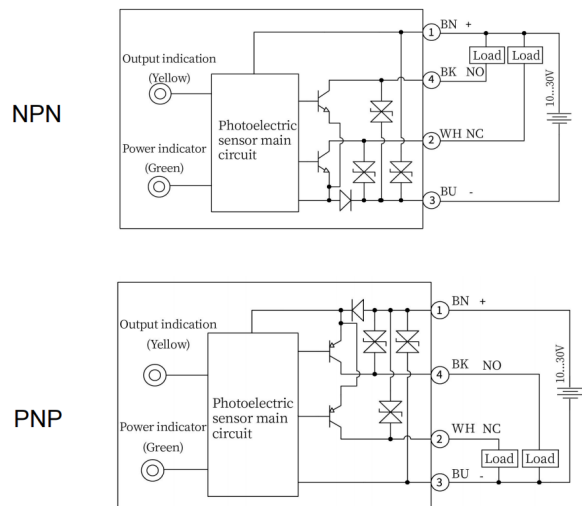
*Blind zone of white card with 90% reflectivity is < 2mm; Blind zone of black card with 6% reflectivity is < 5mm.

When using the product, if there is side-by-side installation, please keep the interval between two adjacent sensors>5cm; at the same time, avoid opposite installation, please use staggered.

Dimensions



Wiring diagram

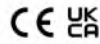


Small square photoelectric sensor PSE series



Features

- ◆ Universal housing, an ideal replacement for a wide range of sensor types
- ◆ IP67, suitable for harsh environments
- ◆ Large knob design, convenient and fast adjustment distance
- ◆ Small detection Blind zone, suitable for the detection of high light objects



Part number

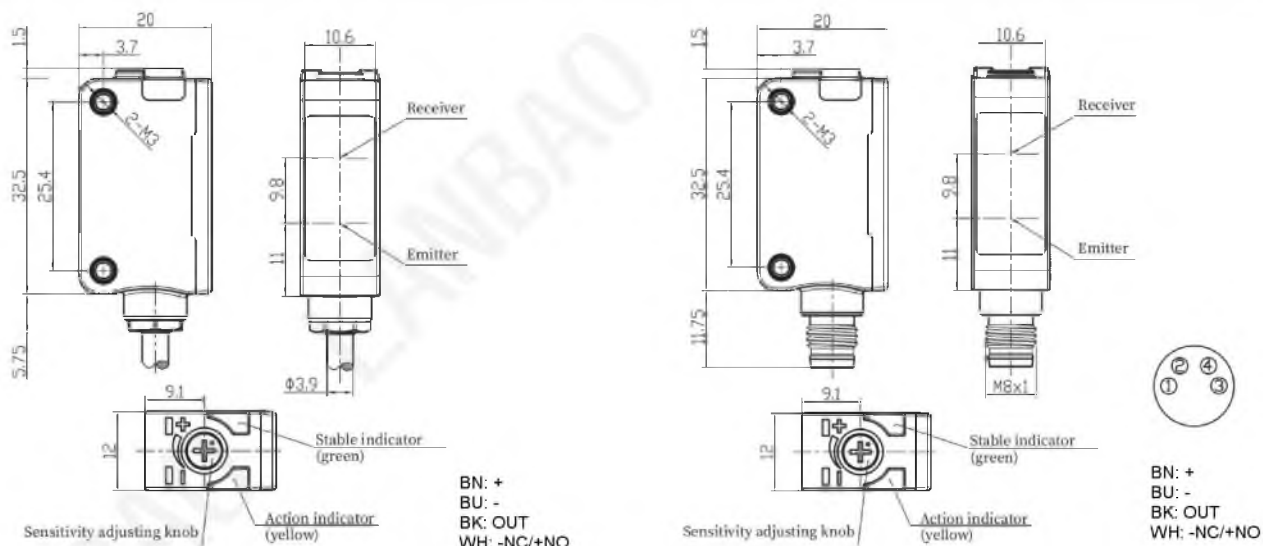
Cable		Connector	
NPN NO/NC	PSE-YC5DNBR	NPN NO/NC	PSE-YC5DNBR-E3
PNP NO/NC	PSE-YC5DPBR	PNP NO/NC	PSE-YC5DPBR-E3
NPN NO/NC	PSE-YC5DNBRG ^②	NPN NO/NC	PSE-YC5DNBRG-E3 ^②
PNP NO/NC	PSE-YC5DPBRG ^②	PNP NO/NC	PSE-YC5DPBRG-E3 ^②

Technical specifications

Detection method	Background suppression	Circuit protection	Short circuit, Reverse polarity, Overload, Zener protection
Detection distance ^①	0.2...5cm	Indicator	Green: Power indicator; Yellow: Output, overload or short circuit
Distance adjustment	5-turn knob adjustment	Anti-ambient light	Sunlight interference ≤10,000 lux; Anti-incandescent light interference ≤3,000 lux
NO/NC Switch	The black wire connected to the positive electrode or floating is NO, and the white wire connected to the negative electrode is NC	Ambient temperature	-25°C...55°C
Light source	Red (630nm)	Storage temperature	-25°C...70°C
Light spot size	φ2mm@5cm	Protection degree	IP67
Supply voltage	10...30 VDC	Material	PC+ABS
Return difference	<2%	Lens	PMMA
Consumption current	≤20mA	Weight	Cable: about 50g; Connector: about 10g
Load current	≤100mA	Connection	Cable: 2m PVC cable; Connector: M8 4-pins connector
Voltage drop	<1V	Accessories	Screw×2, Mounting bracket ZJP-8, Operation manual
Response time ^②	High response frequency: 1.5ms; Other: 3.5ms		

Note: ①The standard detection target is a white card of 20cm*20cm (90% reflectivity) ②The model with G is the high response frequency version

Dimensions



По вопросам продаж и поддержки обращайтесь:

Алматы (727)345-47-04
Ангарск (3955)60-70-56
Архангельск (8182)63-90-72
Астрахань (8512)99-46-04
Барнаул (3852)73-04-60
Белгород (4722)40-23-64
Благовещенск (4162)22-76-07
Брянск (4832)59-03-52
Владивосток (423)249-28-31
Владикавказ (8672)28-90-48
Владимир (4922)49-43-18
Волгоград (844)278-03-48
Вологда (8172)26-41-59
Воронеж (473)204-51-73
Екатеринбург (343)384-55-89

Иваново (4932)77-34-06
Ижевск (3412)26-03-58
Иркутск (395)279-98-46
Казань (843)206-01-48
Калининград (4012)72-03-81
Калуга (4842)92-23-67
Кемерово (3842)65-04-62
Киров (8332)68-02-04
Коломна (4966)23-41-49
Кострома (4942)77-07-48
Краснодар (861)203-40-90
Красноярск (391)204-63-61
Курск (4712)77-13-04
Курган (3522)50-90-47
Липецк (4742)52-20-81

Магнитогорск (3519)55-03-13
Москва (495)268-04-70
Мурманск (8152)59-64-93
Набережные Челны (8552)20-53-41
Новокузнецк (3843)20-46-81
Ноябрьск (3496)41-32-12
Новосибирск (383)227-86-73
Омск (3812)21-46-40
Орел (4862)44-53-42
Оренбург (3532)37-68-04
Пенза (8412)22-31-16
Петрозаводск (8142)55-98-37
Псков (8112)59-10-37
Пермь (342)205-81-47

Ростов-на-Дону (863)308-18-15
Рязань (4912)46-61-64
Самара (846)206-03-16
Санкт-Петербург (812)309-46-40
Саратов (845)249-38-78
Севастополь (8692)22-31-93
Саранск (8342)22-96-24
Симферополь (3652)67-13-56
Смоленск (4812)29-41-54
Сочи (862)225-72-31
Ставрополь (8652)20-65-13
Сургут (3462)77-98-35
Сыктывкар (8212)25-95-17
Тамбов (4752)50-40-97
Тверь (4822)63-31-35

Тольятти (8482)63-91-07
Томск (3822)98-41-53
Тула (4872)33-79-87
Тюмень (3452)66-21-18
Ульяновск (8422)24-23-59
Улан-Удэ (3012)59-97-51
Уфа (347)229-48-12
Хабаровск (4212)92-98-04
Чебоксары (8352)28-53-07
Челябинск (351)202-03-61
Череповец (8202)49-02-64
Чита (3022)38-34-83
Якутск (4112)23-90-97
Ярославль (4852)69-52-93

Россия +7(495)268-04-70

Казахстан +(727)345-47-04

Беларусь +(375)257-127-884

Узбекистан +998(71)205-18-59

Киргизия +996(312)96-26-47

эл.почта: ahj@nt-rt.ru || сайт: <https://lanbao.nt-rt.ru/>