

Целевые датчики RU05

Технические характеристики

По вопросам продаж и поддержки обращайтесь:

Алматы (727)345-47-04
Ангарск (3955)60-70-56
Архангельск (8182)63-90-72
Астрахань (8512)99-46-04
Барнаул (3852)73-04-60
Белгород (4722)40-23-64
Благовещенск (4162)22-76-07
Брянск (4832)59-03-52
Владивосток (423)249-28-31
Владикавказ (8672)28-90-48
Владимир (4922)49-43-18
Волгоград (844)278-03-48
Вологда (8172)26-41-59
Воронеж (473)204-51-73
Екатеринбург (343)384-55-89

Иваново (4932)77-34-06
Ижевск (3412)26-03-58
Иркутск (395)279-98-46
Казань (843)206-01-48
Калининград (4012)72-03-81
Калуга (4842)92-23-67
Кемерово (3842)65-04-62
Киров (8332)68-02-04
Коломна (4966)23-41-49
Кострома (4942)77-07-48
Краснодар (861)203-40-90
Красноярск (391)204-63-61
Курск (4712)77-13-04
Курган (3522)50-90-47
Липецк (4742)52-20-81

Магнитогорск (3519)55-03-13
Москва (495)268-04-70
Мурманск (8152)59-64-93
Набережные Челны (8552)20-53-41
Нижний Новгород (831)429-08-12
Новокузнецк (3843)20-46-81
Ноябрьск (3496)41-32-12
Новосибирск (383)227-86-73
Омск (3812)21-46-40
Орел (4862)44-53-42
Оренбург (3532)37-68-04
Пенза (8412)22-31-16
Петрозаводск (8142)55-98-37
Псков (8112)59-10-37
Пермь (342)205-81-47

Ростов-на-Дону (863)308-18-15
Рязань (4912)46-61-64
Самара (846)206-03-16
Санкт-Петербург (812)309-46-40
Саратов (845)249-38-78
Севастополь (8692)22-31-93
Саранск (8342)22-96-24
Симферополь (3652)67-13-56
Смоленск (4812)29-41-54
Сочи (862)225-72-31
Ставрополь (8652)20-65-13
Сургут (3462)77-98-35
Сыктывкар (8212)25-95-17
Тамбов (4752)50-40-97
Тверь (4822)63-31-35

Тольятти (8482)63-91-07
Томск (3822)98-41-53
Тула (4872)33-79-87
Тюмень (3452)66-21-18
Ульяновск (8422)24-23-59
Улан-Удэ (3012)59-97-51
Уфа (347)229-48-12
Хабаровск (4212)92-98-04
Чебоксары (8352)28-53-07
Челябинск (351)202-03-61
Череповец (8202)49-02-64
Чита (3022)38-34-83
Якутск (4112)23-90-97
Ярославль (4852)69-52-93

Россия +7(495)268-04-70

Казахстан +(727)345-47-04

Беларусь +(375)257-127-884

Узбекистан +998(71)205-18-59

Киргизия +996(312)96-26-47

эл.почта: ahj@nt-rt.ru || сайт: <https://lanbao.nt-rt.ru/>

U shape photoelectric sensor PU05S series



Feature description

- The power supply voltage is 5...24VDC, and the voltage range is wide
- A variety of shapes, rich product categories
- The product has two modes: L/ON and D/ON
- Use flexible wire with good flexibility



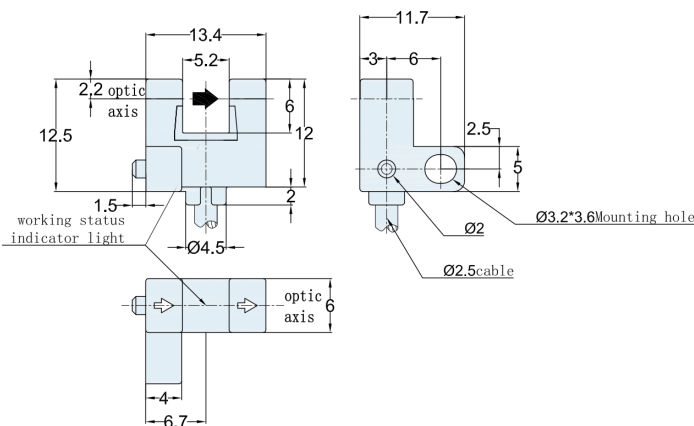
Model specification

NPN	PU05S-TGNR-F	PNP	PU05S-TGPR-F
-----	--------------	-----	--------------

Specifications

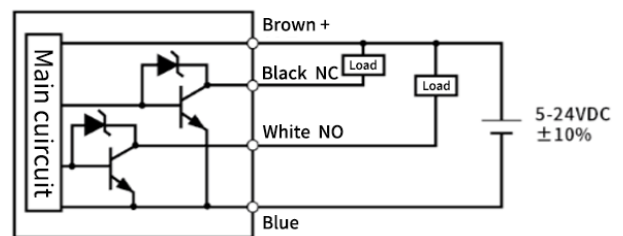
Detection method	Through beam	Switching frequency	≥1KHZ (The maximum value is 3KHZ)
Rated distance Sn	5mm	Anti ambient light	Fluorescent lamp≤1,000lux
Minimum target	> 1.2*0.8mm	Circuit protection	Short circuit protection (power supply reverse polarity protection)
Light source	Infrared LED (940nm)	Output indication	Yellow: output indication
Hysteresis	< 0.06mm	Ambient temperature	-25°C...55°C(Optical surface no icing,nocondensation)
Output type	NPN/PNP (Depends on part number)	Environment humidity	5...85%RH(Optical surface no icing,nocondensation)
Output state	NO, NC The two logics are selected according to the connection mode	Vibration resistant	10...2000Hz, Dual amplitude1.5mm, 2hrs each for X,Y,Z direction
Supply voltage	5...24 VDC (Ripple p-p: < 10%)	Protection degree	IP65
Load current	≤50mA	Housing material	PBT
Residual voltage	≤1V (When the load current is 50mA)	Connection	1m Cable
Consumption current	≤15mA		

Dimensions

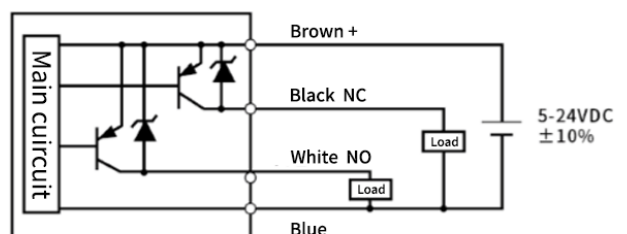


Wiring diagram

NPN



PNP



U shape photoelectric sensor PU05S series



Feature description

- The power supply voltage is 5...24VDC, and the voltage range is wide
- A variety of shapes, rich product categories
- The product has two modes: L/ON and D/ON
- Use flexible wire with good flexibility



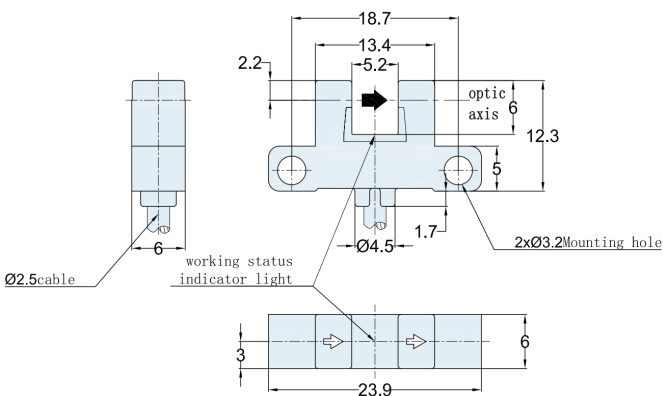
Model specification

NPN	PU05S-TGNR-K	PNP	PU05S-TGPR-K
-----	--------------	-----	--------------

Specifications

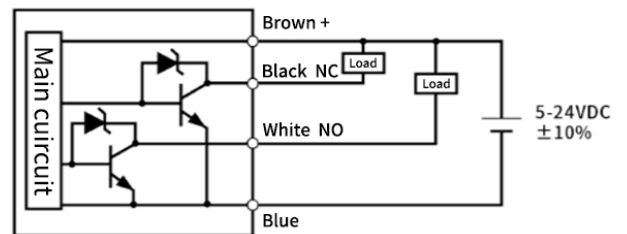
Detection method	Through beam	Switching frequency	≥1KHZ (The maximum value is 3KHZ)
Rated distance Sn	5mm	Anti ambient light	Fluorescent lamp≤1,000lux
Minimum target	> 1.2*0.8mm	Circuit protection	Short circuit protection (power supply reverse polarity protection)
Light source	Infrared LED (940nm)	Output indication	Yellow: output indication
Hysteresis	< 0.06mm	Ambient temperature	-25°C...55°C(Optical surface no icing,nocondensation)
Output type	NPN/PNP (Depends on part number)	Environment humidity	5...85%RH(Optical surface no icing,nocondensation)
Output state	NO, NC The two logics are selected according to the connection mode	Vibration resistant	10...2000Hz, Dual amplitude1.5mm, 2hrs each for X,Y,Z direction
Supply voltage	5...24 VDC (Ripple p-p: < 10%)	Protection degree	IP65
Load current	≤50mA	Housing material	PBT
Residual voltage	≤1V (When the load current is 50mA)	Connection	1m Cable
Consumption current	≤15mA		

Dimensions

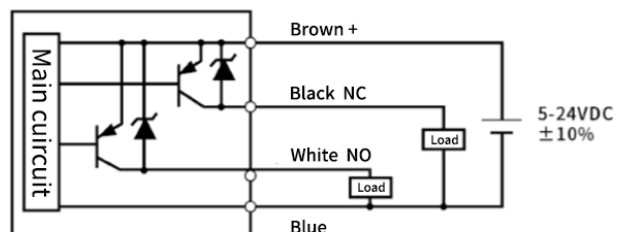


Wiring diagram

NPN



PNP



U shape photoelectric sensor PU05S series



Feature description

- The power supply voltage is 5...24VDC, and the voltage range is wide
- A variety of shapes, rich product categories
- The product has two modes: L/ON and D/ON
- Use flexible wire with good flexibility



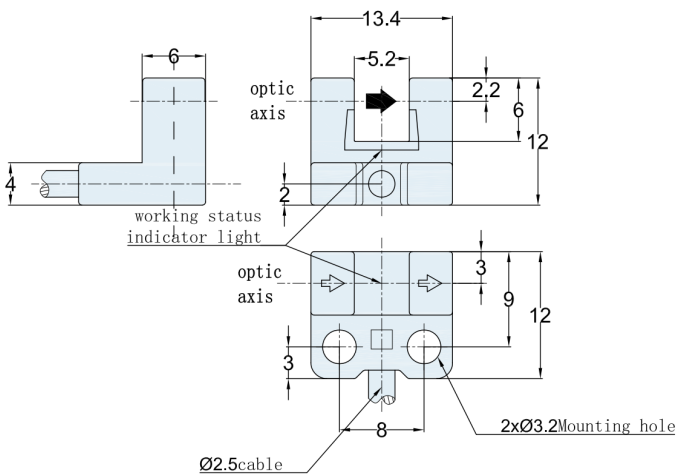
Model specification

NPN	PU05S-TGNR-L	PNP	PU05S-TGPR-L
-----	--------------	-----	--------------

Specifications

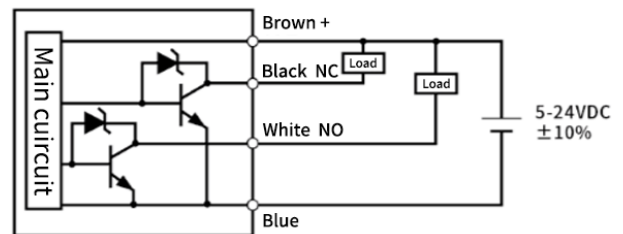
Detection method	Through beam	Switching frequency	≥1KHZ (The maximum value is 3KHZ)
Rated distance Sn	5mm	Anti ambient light	Fluorescent lamp≤1,000lux
Minimum target	> 1.2*0.8mm	Circuit protection	Short circuit protection
Light source	Infrared LED (940nm)		(power supply reverse polarity protection)
Hysteresis	< 0.06mm	Output indication	Yellow: output indication
Output type	NPN/PNP (Depends on part number)	Ambient temperature	-25°C...55°C(Optical surface no icing,nocondensation)
Output state	NO, NC The two logics are selected according to the connection mode	Environment humidity	5...85%RH(Optical surface no icing,nocondensation)
Supply voltage	5...24 VDC (Ripple p-p: < 10%)	Vibration resistant	10...2000Hz, Dual amplitude1.5mm, 2hrs each for X,Y,Z direction
Load current	≤50mA	Protection degree	IP65
Residual voltage	≤1V (When the load current is 50mA)	Housing material	PBT
Consumption current	≤15mA	Connection	1m Cable

Dimensions

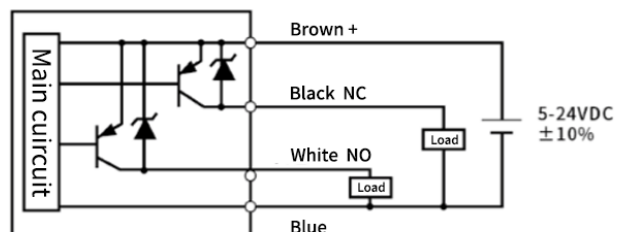


Wiring diagram

NPN



PNP



U shape photoelectric sensor PU05S series



Feature description

- The power supply voltage is 5...24VDC, and the voltage range is wide
- A variety of shapes, rich product categories
- The product has two modes: L/ON and D/ON
- Use flexible wire with good flexibility



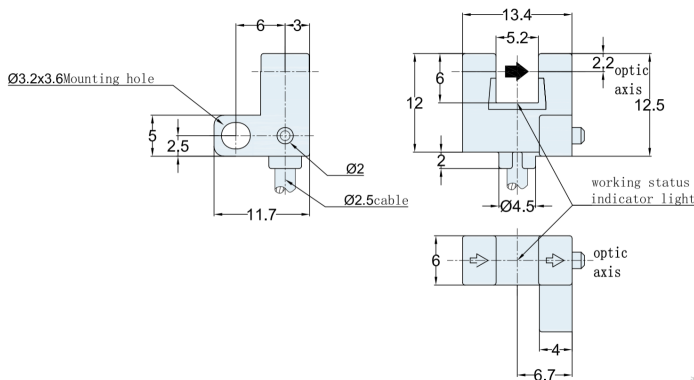
Model specification

NPN	PU05S-TGNR-R	PNP	PU05S-TGPR-R
-----	--------------	-----	--------------

Specifications

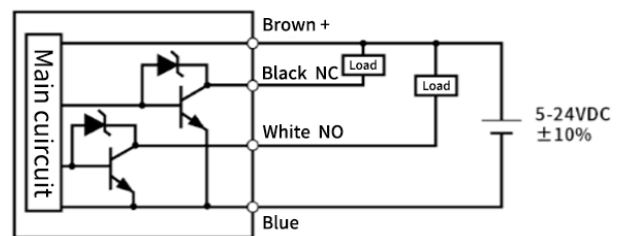
Detection method	Through beam	Switching frequency	≥1KHZ (The maximum value is 3KHZ)
Rated distance Sn	5mm	Anti ambient light	Fluorescent lamp≤1,000lux
Minimum target	> 1.2*0.8mm	Circuit protection	Short circuit protection (power supply reverse polarity protection)
Light source	Infrared LED (940nm)	Output indication	Yellow: output indication
Hysteresis	< 0.06mm	Ambient temperature	-25°C...55°C(Optical surface no icing,nocondensation)
Output type	NPN/PNP (Depends on part number)	Environment humidity	5...85%RH(Optical surface no icing,nocondensation)
Output state	NO, NC The two logics are selected according to the connection mode	Vibration resistant	10...2000Hz, Dual amplitude1.5mm, 2hrs each for X,Y,Z direction
Supply voltage	5...24 VDC (Ripple p-p: < 10%)	Protection degree	IP65
Load current	≤50mA	Housing material	PBT
Residual voltage	≤1V (When the load current is 50mA)	Connection	1m Cable
Consumption current	≤15mA		

Dimensions

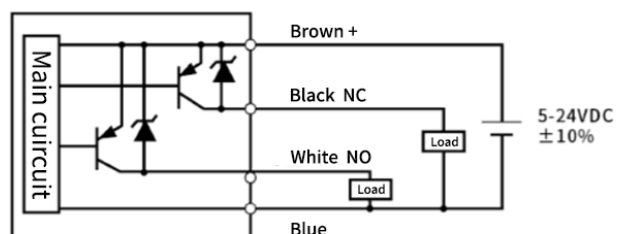


Wiring diagram

NPN



PNP



U shape photoelectric sensor PU05S series



Feature description

- The power supply voltage is 5...24VDC, and the voltage range is wide
- A variety of shapes, rich product categories
- The product has two modes: L/ON and D/ON
- Use flexible wire with good flexibility



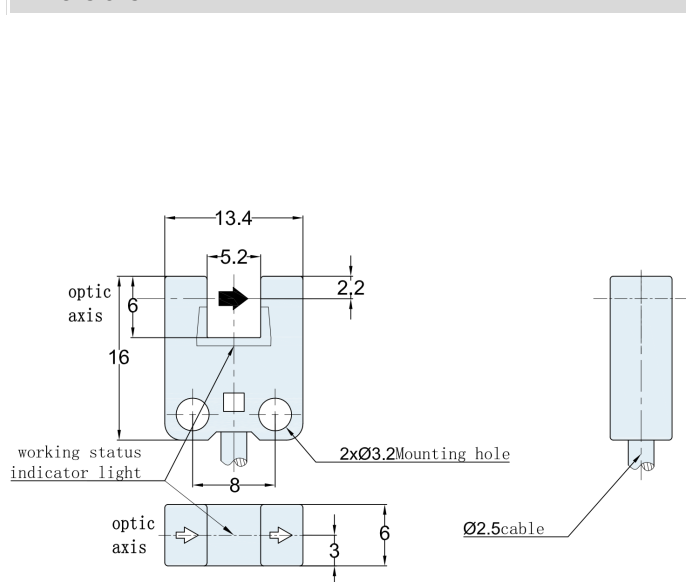
Model specification

NPN	PU05S-TG NR-U	PNP	PU05S-TG PR-U
-----	---------------	-----	---------------

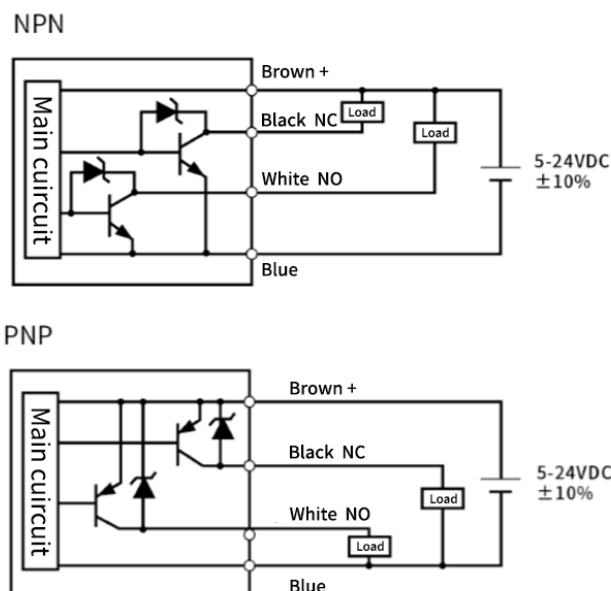
Specifications

Detection method	Through beam	Switching frequency	≥1KHZ (The maximum value is 3KHZ)
Rated distance Sn	5mm	Anti ambient light	Fluorescent lamp≤1,000lux
Minimum target	> 1.2*0.8mm	Circuit protection	Short circuit protection (power supply reverse polarity protection)
Light source	Infrared LED (940nm)	Output indication	Yellow: output indication
Hysteresis	< 0.06mm	Ambient temperature	-25°C...55°C(Optical surface no icing,nocondensation)
Output type	NPN/PNP (Depends on part number)	Environment humidity	5...85%RH(Optical surface no icing,nocondensation)
Output state	NO, NC The two logics are selected according to the connection mode	Vibration resistant	10...2000Hz, Dual amplitude1.5mm, 2hrs each for X,Y,Z direction
Supply voltage	5...24 VDC (Ripple p-p: < 10%)	Protection degree	IP65
Load current	≤50mA	Housing material	PBT
Residual voltage	≤1V (When the load current is 50mA)	Connection	1m Cable
Consumption current	≤15mA		

Dimensions



Wiring diagram



U shape photoelectric sensor PU05S series



Feature description

- The power supply voltage is 5...24VDC, and the voltage range is wide
- A variety of shapes, rich product categories
- The product has two modes: L/ON and D/ON
- Use flexible wire with good flexibility



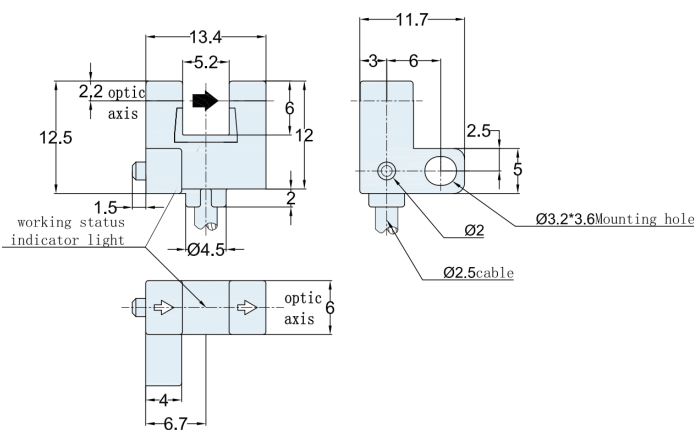
Model specification

NPN	PU05S-TGNR-F	PNP	PU05S-TGPR-F
-----	--------------	-----	--------------

Specifications

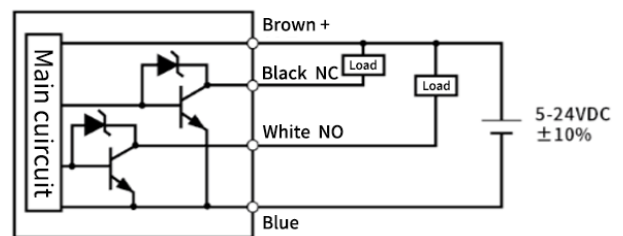
Detection method	Through beam	Switching frequency	≥1KHZ (The maximum value is 3KHZ)
Rated distance Sn	5mm	Anti ambient light	Fluorescent lamp≤1,000lux
Minimum target	> 1.2*0.8mm	Circuit protection	Short circuit protection (power supply reverse polarity protection)
Light source	Infrared LED (940nm)	Output indication	Yellow: output indication
Hysteresis	< 0.06mm	Ambient temperature	-25°C...55°C(Optical surface no icing,nocondensation)
Output type	NPN/PNP (Depends on part number)	Environment humidity	5...85%RH(Optical surface no icing,nocondensation)
Output state	NO, NC The two logics are selected according to the connection mode	Vibration resistant	10...2000Hz, Dual amplitude1.5mm, 2hrs each for X,Y,Z direction
Supply voltage	5...24 VDC (Ripple p-p: < 10%)	Protection degree	IP65
Load current	≤50mA	Housing material	PBT
Residual voltage	≤1V (When the load current is 50mA)	Connection	1m Cable
Consumption current	≤15mA		

Dimensions

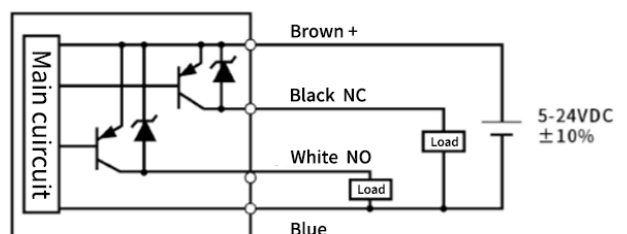


Wiring diagram

NPN



PNP



U shape photoelectric sensor PU05S series



Feature description

- The power supply voltage is 5...24VDC, and the voltage range is wide
- A variety of shapes, rich product categories
- The product has two modes: L/ON and D/ON
- Use flexible wire with good flexibility



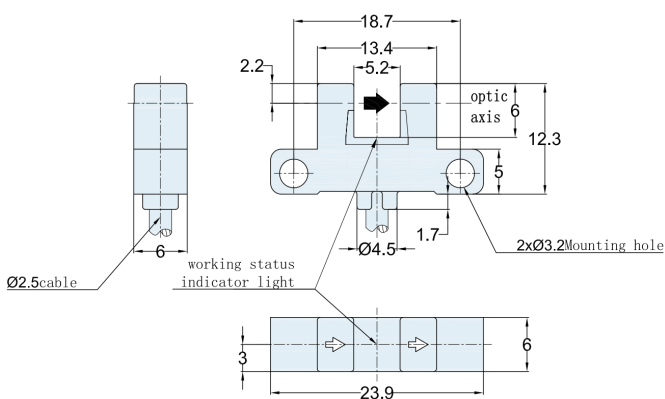
Model specification

NPN	PU05S-TGNR-K	PNP	PU05S-TGPR-K
-----	--------------	-----	--------------

Specifications

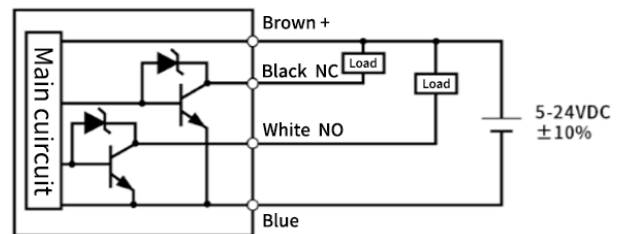
Detection method	Through beam	Switching frequency	≥1KHZ (The maximum value is 3KHZ)
Rated distance Sn	5mm	Anti ambient light	Fluorescent lamp≤1,000lux
Minimum target	> 1.2*0.8mm	Circuit protection	Short circuit protection (power supply reverse polarity protection)
Light source	Infrared LED (940nm)	Output indication	Yellow: output indication
Hysteresis	< 0.06mm	Ambient temperature	-25°C...55°C(Optical surface no icing,nocondensation)
Output type	NPN/PNP (Depends on part number)	Environment humidity	5...85%RH(Optical surface no icing,nocondensation)
Output state	NO, NC The two logics are selected according to the connection mode	Vibration resistant	10...2000Hz, Dual amplitude1.5mm, 2hrs each for X,Y,Z direction
Supply voltage	5...24 VDC (Ripple p-p: < 10%)	Protection degree	IP65
Load current	≤50mA	Housing material	PBT
Residual voltage	≤1V (When the load current is 50mA)	Connection	1m Cable
Consumption current	≤15mA		

Dimensions

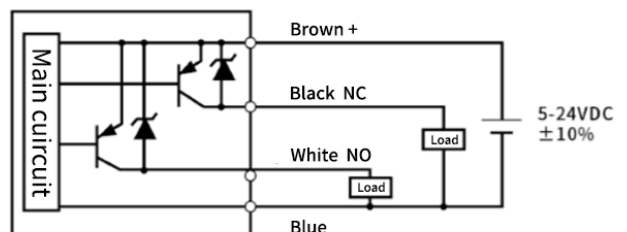


Wiring diagram

NPN



PNP



U shape photoelectric sensor PU05S series



Feature description

- The power supply voltage is 5...24VDC, and the voltage range is wide
- A variety of shapes, rich product categories
- The product has two modes: L/ON and D/ON
- Use flexible wire with good flexibility



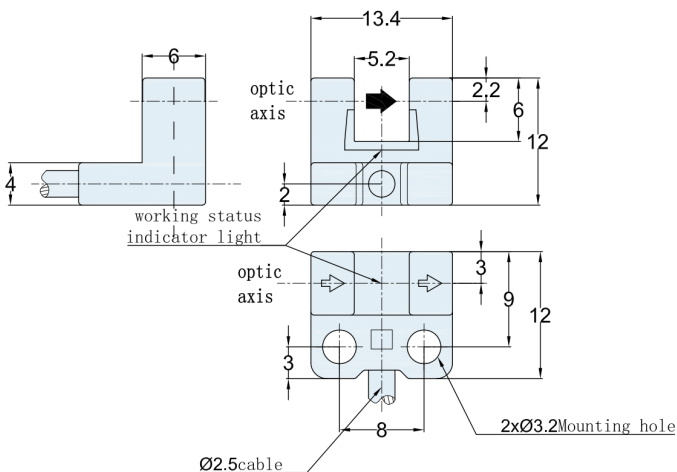
Model specification

NPN	PU05S-TGMR-L	PNP	PU05S-TGPR-L
-----	--------------	-----	--------------

Specifications

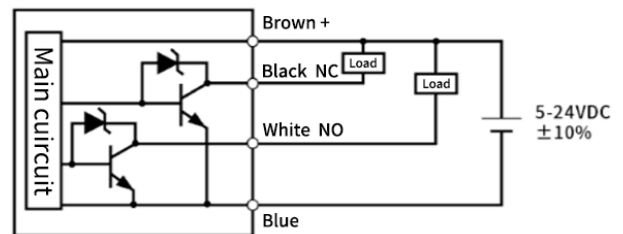
Detection method	Through beam	Switching frequency	≥1KHZ (The maximum value is 3KHZ)
Rated distance Sn	5mm	Anti ambient light	Fluorescent lamp≤1,000lux
Minimum target	> 1.2*0.8mm	Circuit protection	Short circuit protection
Light source	Infrared LED (940nm)		(power supply reverse polarity protection)
Hysteresis	< 0.06mm	Output indication	Yellow: output indication
Output type	NPN/PNP (Depends on part number)	Ambient temperature	-25°C...55°C(Optical surface no icing,nocondensation)
Output state	NO, NC The two logics are selected according to the connection mode	Environment humidity	5...85%RH(Optical surface no icing,nocondensation)
Supply voltage	5...24 VDC (Ripple p-p: < 10%)	Vibration resistant	10...2000Hz, Dual amplitude1.5mm, 2hrs each for X,Y,Z direction
Load current	≤50mA	Protection degree	IP65
Residual voltage	≤1V (When the load current is 50mA)	Housing material	PBT
Consumption current	≤15mA	Connection	1m Cable

Dimensions

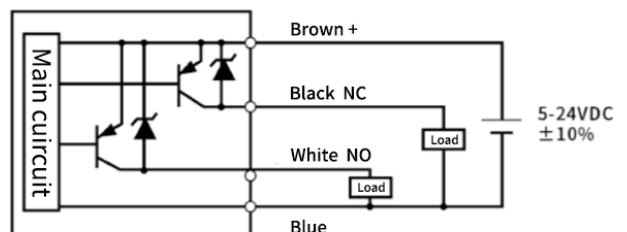


Wiring diagram

NPN



PNP



U shape photoelectric sensor PU05S series



Feature description

- The power supply voltage is 5...24VDC, and the voltage range is wide
- A variety of shapes, rich product categories
- The product has two modes: L/ON and D/ON
- Use flexible wire with good flexibility



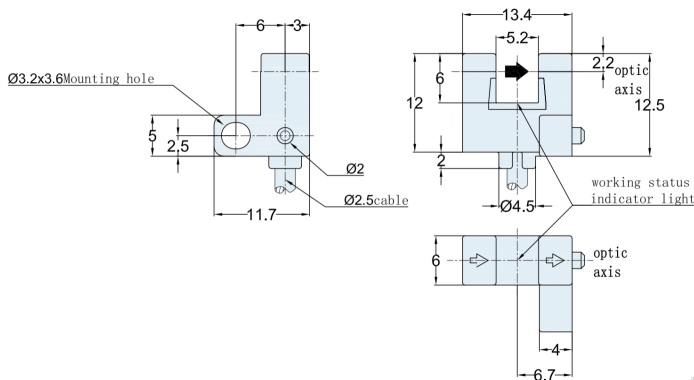
Model specification

NPN	PU05S-TGNR-R	PNP	PU05S-TGPR-R
-----	--------------	-----	--------------

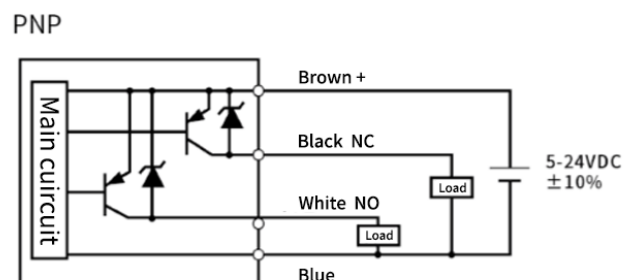
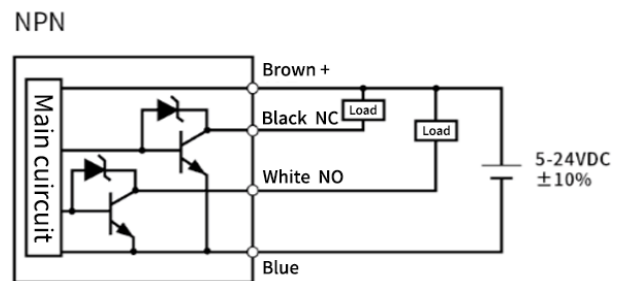
Specifications

Detection method	Through beam	Switching frequency	≥1KHZ (The maximum value is 3KHZ)
Rated distance Sn	5mm	Anti ambient light	Fluorescent lamp ≤1,000lux
Minimum target	> 1.2*0.8mm	Circuit protection	Short circuit protection (power supply reverse polarity protection)
Light source	Infrared LED (940nm)	Output indication	Yellow: output indication
Hysteresis	< 0.06mm	Ambient temperature	-25°C...55°C(Optical surface no icing,nocondensation)
Output type	NPN/PNP (Depends on part number)	Environment humidity	5...85%RH(Optical surface no icing,nocondensation)
Output state	NO, NC The two logics are selected according to the connection mode	Vibration resistant	10...2000Hz, Dual amplitude1.5mm, 2hrs each for X,Y,Z direction
Supply voltage	5...24 VDC (Ripple p-p: < 10%)	Protection degree	IP65
Load current	≤50mA	Housing material	PBT
Residual voltage	≤1V (When the load current is 50mA)	Connection	1m Cable
Consumption current	≤15mA		

Dimensions



Wiring diagram



U shape photoelectric sensor PU05S series



Feature description

- The power supply voltage is 5...24VDC, and the voltage range is wide
- A variety of shapes, rich product categories
- The product has two modes: L/ON and D/ON
- Use flexible wire with good flexibility



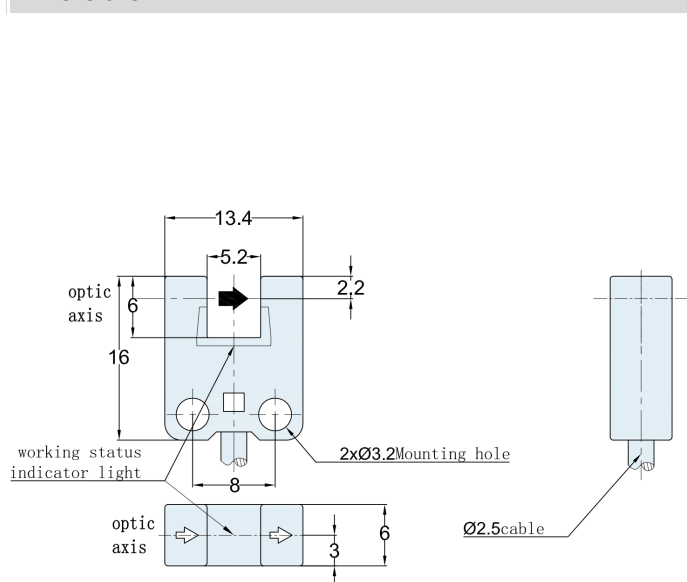
Model specification

NPN	PU05S-TG NR-U	PNP	PU05S-TG PR-U
-----	---------------	-----	---------------

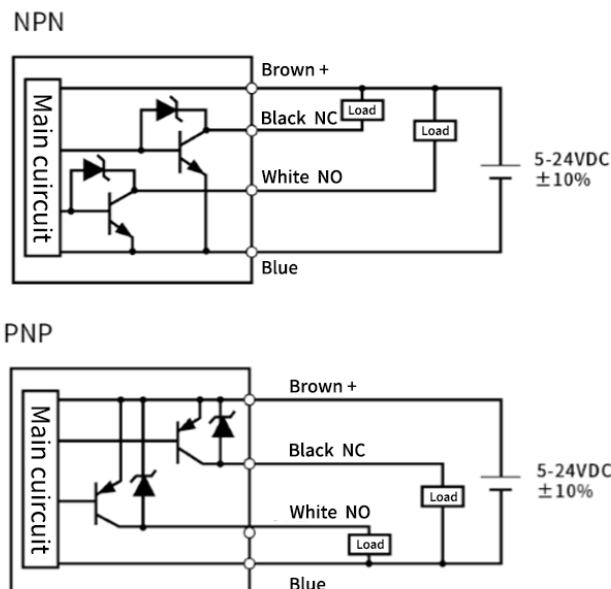
Specifications

Detection method	Through beam	Switching frequency	≥1KHZ (The maximum value is 3KHZ)
Rated distance Sn	5mm	Anti ambient light	Fluorescent lamp≤1,000lux
Minimum target	> 1.2*0.8mm	Circuit protection	Short circuit protection (power supply reverse polarity protection)
Light source	Infrared LED (940nm)	Output indication	Yellow: output indication
Hysteresis	< 0.06mm	Ambient temperature	-25°C...55°C(Optical surface no icing,nocondensation)
Output type	NPN/PNP (Depends on part number)	Environment humidity	5...85%RH(Optical surface no icing,nocondensation)
Output state	NO, NC The two logics are selected according to the connection mode	Vibration resistant	10...2000Hz, Dual amplitude1.5mm, 2hrs each for X,Y,Z direction
Supply voltage	5...24 VDC (Ripple p-p: < 10%)	Protection degree	IP65
Load current	≤50mA	Housing material	PBT
Residual voltage	≤1V (When the load current is 50mA)	Connection	1m Cable
Consumption current	≤15mA		

Dimensions



Wiring diagram



U shape photoelectric sensor PU05M series



Feature description

- The power supply voltage is 5...24VDC, and the voltage range is wide
- A variety of shapes, rich product categories
- The product has two modes: L/ON and D/ON
- Use flexible wire with good flexibility



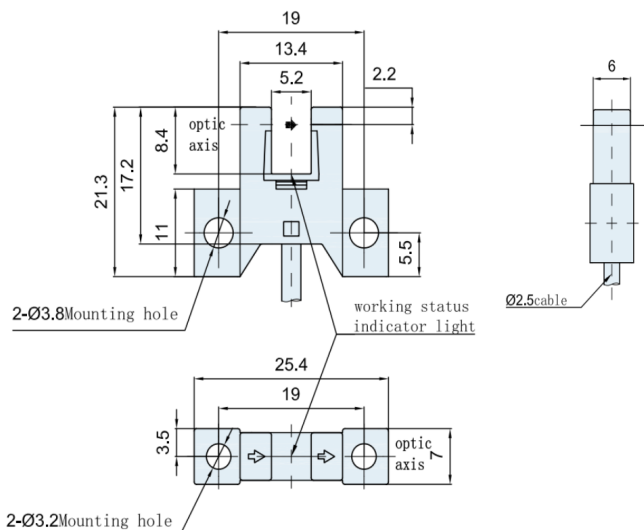
Model specification

NPN	PU05M-TGMR-K	PNP	PU05M-TGPR-K
-----	--------------	-----	--------------

Specifications

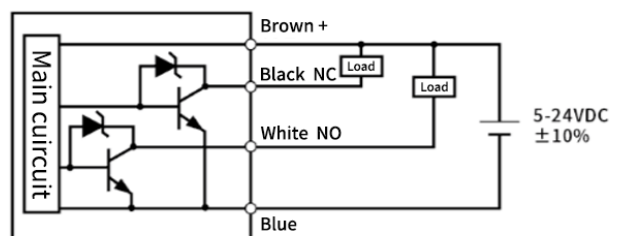
Detection method	Through beam	Switching frequency	≥1KHZ (The maximum value is 3KHZ)
Rated distance Sn	5mm	Circuit protection	Short circuit protection (Power polarity protection)
Minimum target	> 1.2*0.8mm	Anti ambient light	Fluorescent lamp≤1,000lux
Light source	Infrared LED (940nm)	Output indication	Yellow: output indication
Hysteresis	< 0.06mm	Ambient temperature	-25°C...55°C(Optical surface no icing,nocondensation)
Output type	NPN/PNP (Depends on part number)	Environment humidity	5...85%RH(Optical surface no icing,nocondensation)
Output state	NO, NC The two logics are selected according to the connection mode	Vibration resistant	10...2000Hz, Dual amplitude1.5mm, 2hrs each for X,Y,Z direction
Supply voltage	5...24 VDC (Ripple p-p: < 10%)	Protection degree	IP65
Load current	≤50mA	Housing material	PBT
Residual voltage	≤1V (When the load current is 50mA)	Connection	1m Cable
Consumption current	≤15mA		

Dimensions

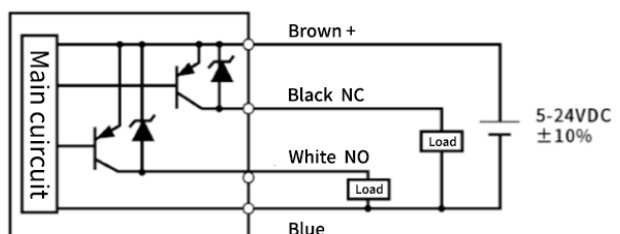


Wiring diagram

NPN



PNP



U shape photoelectric sensor PU05M series



Feature description

- The power supply voltage is 5...24VDC, and the voltage range is wide
- A variety of shapes, rich product categories
- The product has two modes: L/ON and D/ON
- Use flexible wire with good flexibility



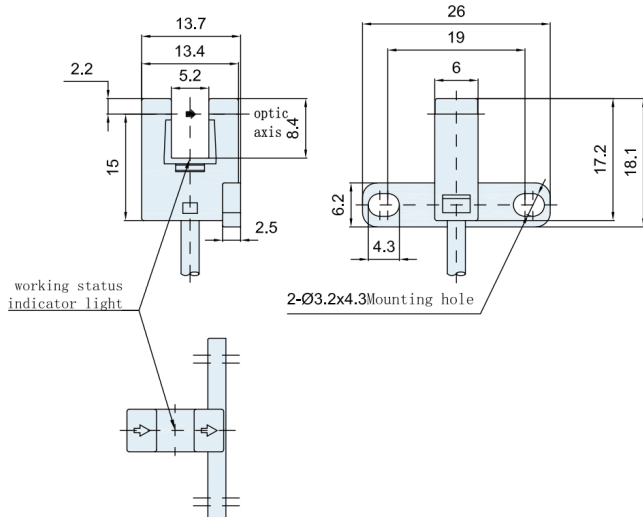
Model specification

NPN	PU05M-TGNR-T	PNP	PU05M-TGPR-T
-----	--------------	-----	--------------

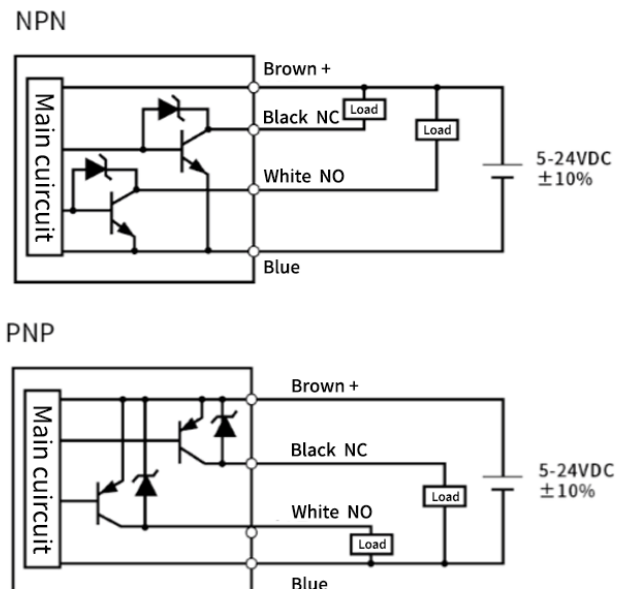
Specifications

Detection method	Through beam	Switching frequency	≥1KHZ (The maximum value is 3KHZ)
Rated distance Sn	5mm	Circuit protection	Short circuit protection (Power polarity protection)
Minimum target	> 1.2*0.8mm	Anti ambient light	Fluorescent lamp≤1,000lux
Light source	Infrared LED (940nm)	Output indication	Yellow: output indication
Hysteresis	< 0.06mm	Ambient temperature	-25°C...55°C(Optical surface no icing,nocondensation)
Output type	NPN/PNP (Depends on part number)	Environment humidity	5...85%RH(Optical surface no icing,nocondensation)
Output state	NO, NC The two logics are selected according to the connection mode	Vibration resistant	10...2000Hz, Dual amplitude1.5mm, 2hrs each for X,Y,Z direction
Supply voltage	5...24 VDC (Ripple p-p: < 10%)	Protection degree	IP65
Load current	≤50mA	Housing material	PBT
Residual voltage	≤1V (When the load current is 50mA)	Connection	1m Cable
Consumption current	≤15mA		

Dimensions



Wiring diagram



U shape photoelectric sensor PU05M series



Feature description

- The power supply voltage is 5...24VDC, and the voltage range is wide
- A variety of shapes, rich product categories
- The product has two modes: L/ON and D/ON
- Use flexible wire with good flexibility



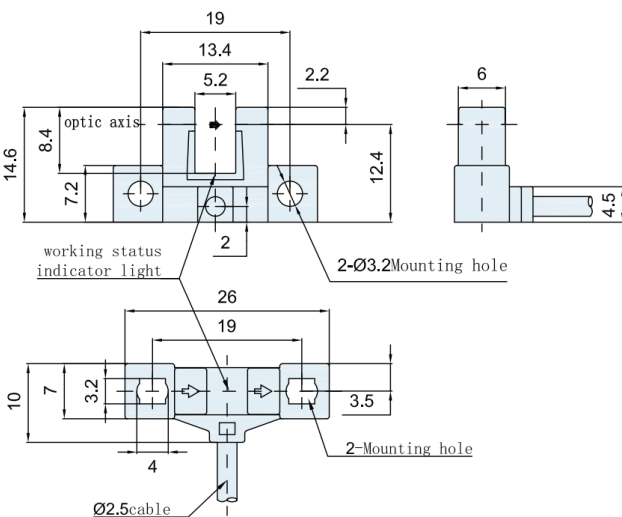
Model specification

NPN	PU05M-TGNR-L	PNP	PU05M-TGPR-L
-----	--------------	-----	--------------

Specifications

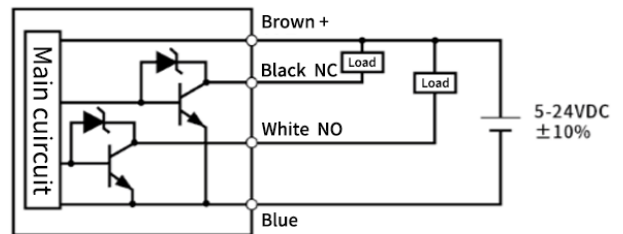
Detection method	Through beam	Switching frequency	≥1KHZ (The maximum value is 3KHZ)
Rated distance Sn	5mm	Circuit protection	Short circuit protection (Power polarity protection)
Minimum target	> 1.2*0.8mm	Anti ambient light	Fluorescent lamp≤1,000lux
Light source	Infrared LED (940nm)	Output indication	Yellow: output indication
Hysteresis	< 0.06mm	Ambient temperature	-25°C...55°C(Optical surface no icing,nocondensation)
Output type	NPN/PNP (Depends on part number)	Environment humidity	5...85%RH(Optical surface no icing,nocondensation)
Output state	NO, NC The two logics are selected according to the connection mode	Vibration resistant	10...2000Hz, Dual amplitude1.5mm, 2hrs each for X,Y,Z direction
Supply voltage	5...24 VDC (Ripple p-p: < 10%)	Protection degree	IP65
Load current	≤50mA	Housing material	PBT
Residual voltage	≤1V (When the load current is 50mA)	Connection	1m Cable
Consumption current	≤15mA		

Dimensions

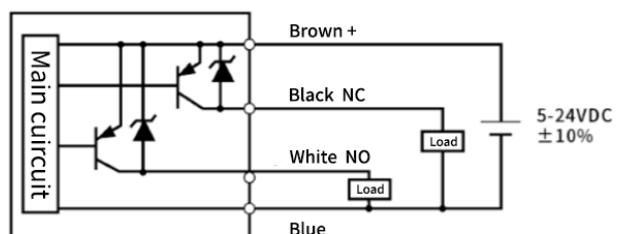


Wiring diagram

NPN



PNP



U shape photoelectric sensor PU05M series



Feature description

- The power supply voltage is 5...24VDC, and the voltage range is wide
- A variety of shapes, rich product categories
- The product has two modes: L/ON and D/ON
- Use flexible wire with good flexibility



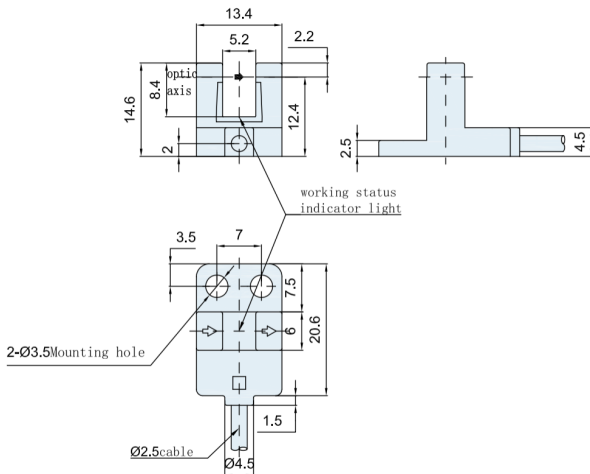
Model specification

NPN	PU05M-TGNR-Y	PNP	PU05M-TGPR-Y
-----	--------------	-----	--------------

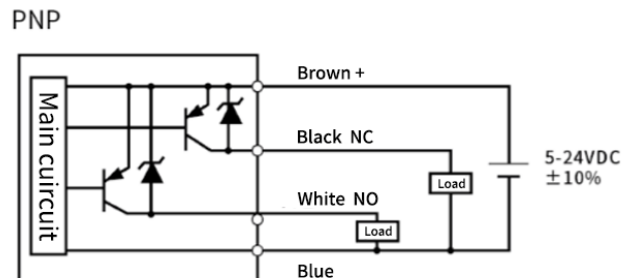
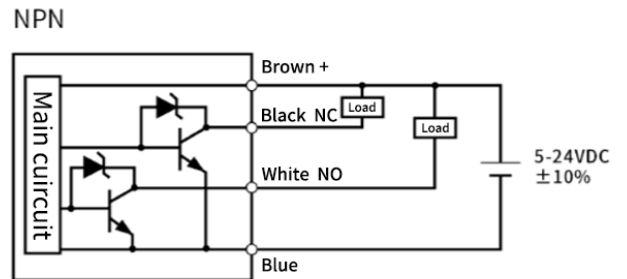
Specifications

Detection method	Through beam	Switching frequency	≥1KHZ (The maximum value is 3KHZ)
Rated distance Sn	5mm	Circuit protection	Short circuit protection (Power polarity protection)
Minimum target	> 1.2*0.8mm	Anti ambient light	Fluorescent lamp≤1,000lux
Light source	Infrared LED (940nm)	Output indication	Yellow: output indication
Hysteresis	< 0.06mm	Ambient temperature	-25°C...55°C(Optical surface no icing,nocondensation)
Output type	NPN/PNP (Depends on part number)	Environment humidity	5...85%RH(Optical surface no icing,nocondensation)
Output state	NO, NC The two logics are selected according to the connection mode	Vibration resistant	10...2000Hz, Dual amplitude1.5mm, 2hrs each for X,Y,Z direction
Supply voltage	5...24 VDC (Ripple p-p: < 10%)	Protection degree	IP65
Load current	≤50mA	Housing material	PBT
Residual voltage	≤1V (When the load current is 50mA)	Connection	1m Cable
Consumption current	≤15mA		

Dimensions



Wiring diagram



U shape photoelectric sensor PU05M series



Feature description

- The power supply voltage is 5...24VDC, and the voltage range is wide
- A variety of shapes, rich product categories
- The product has two modes: L/ON and D/ON
- Use flexible wire with good flexibility



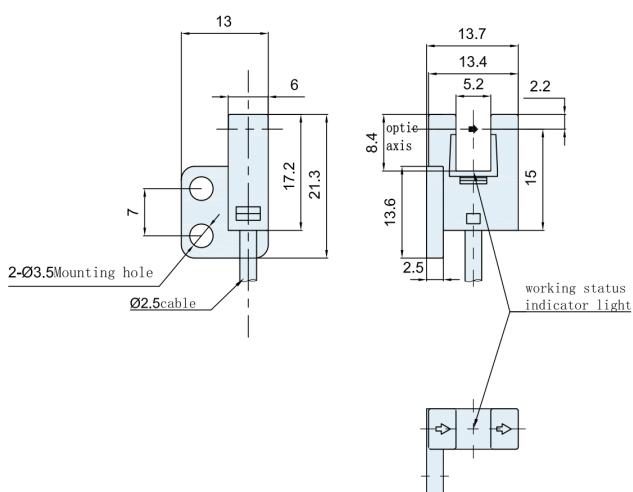
Model specification

NPN	PU05M-TGNR-F	PNP	PU05M-TGPR-F
-----	--------------	-----	--------------

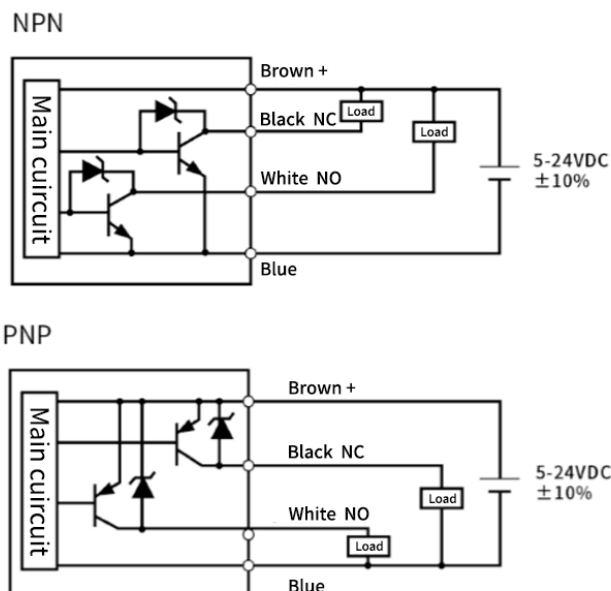
Specifications

Detection method	Through beam	Switching frequency	≥1KHZ (The maximum value is 3KHZ)
Rated distance Sn	5mm	Circuit protection	Short circuit protection (Power polarity protection)
Minimum target	> 1.2*0.8mm	Anti ambient light	Fluorescent lamp≤1,000lux
Light source	Infrared LED (940nm)	Output indication	Yellow: output indication
Hysteresis	< 0.06mm	Ambient temperature	-25°C...55°C(Optical surface no icing,nocondensation)
Output type	NPN/PNP (Depends on part number)	Environment humidity	5...85%RH(Optical surface no icing,nocondensation)
Output state	NO, NC The two logics are selected according to the connection mode	Vibration resistant	10...2000Hz, Dual amplitude1.5mm, 2hrs each for X,Y,Z direction
Supply voltage	5...24 VDC (Ripple p-p: < 10%)	Protection degree	IP65
Load current	≤50mA	Housing material	PBT
Residual voltage	≤1V (When the load current is 50mA)	Connection	1m Cable
Consumption current	≤15mA		

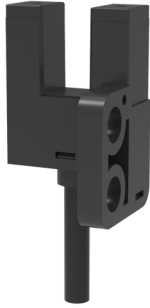
Dimensions



Wiring diagram



U shape photoelectric sensor PU05M series



Feature description

- The power supply voltage is 5...24VDC, and the voltage range is wide
- A variety of shapes, rich product categories
- The product has two modes: L/ON and D/ON
- Use flexible wire with good flexibility



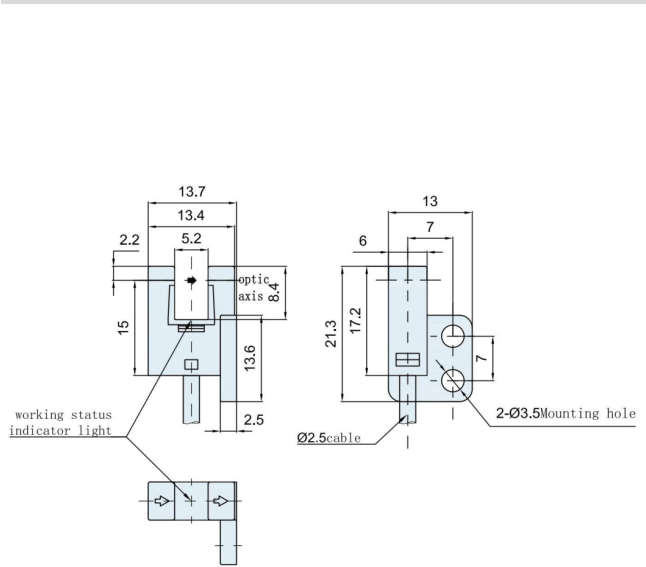
Model specification

NPN	PU05M-TGMR-R	PNP	PU05M-TGPR-R
-----	--------------	-----	--------------

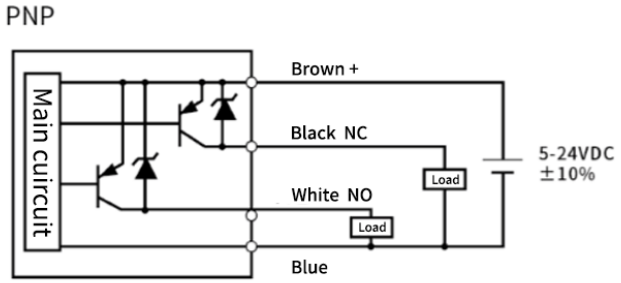
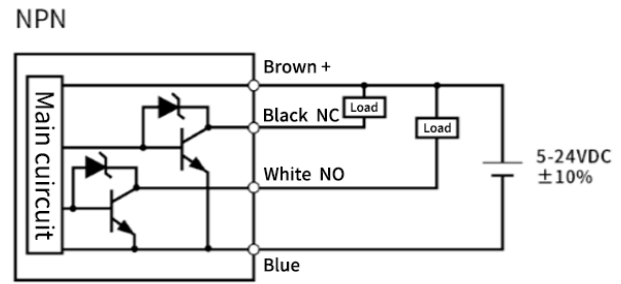
Specifications

Detection method	Through beam	Switching frequency	≥1KHZ (The maximum value is 3KHZ)
Rated distance Sn	5mm	Circuit protection	Short circuit protection (Power polarity protection)
Minimum target	> 1.2*0.8mm	Anti ambient light	Fluorescent lamp≤1,000lux
Light source	Infrared LED (940nm)	Output indication	Yellow: output indication
Hysteresis	< 0.06mm	Ambient temperature	-25°C...55°C(Optical surface no icing,nocondensation)
Output type	NPN/PNP (Depends on part number)	Environment humidity	5...85%RH(Optical surface no icing,nocondensation)
Output state	NO, NC The two logics are selected according to the connection mode	Vibration resistant	10...2000Hz, Dual amplitude1.5mm, 2hrs each for X,Y,Z direction
Supply voltage	5...24 VDC (Ripple p-p: < 10%)	Protection degree	IP65
Load current	≤50mA	Housing material	PBT
Residual voltage	≤1V (When the load current is 50mA)	Connection	1m Cable
Consumption current	≤15mA		

Dimensions



Wiring diagram



U shape photoelectric sensor PU05M series



Feature description

- The power supply voltage is wide as 5...24VDC
- A variety of shapes, rich product categories
- The product has two modes: L/ON and D/ON
- Use wires and terminals to connect, easy to maintain later



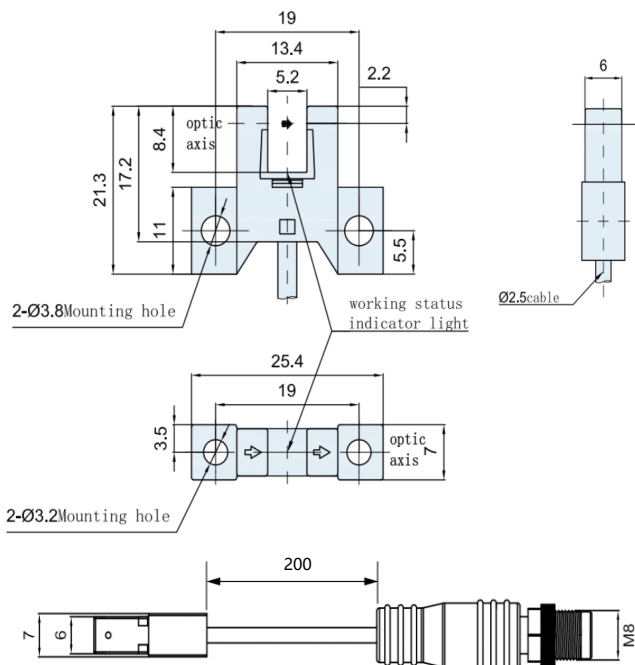
Model specification

NPN	PU05M-TGNR-K-F4	PNP	PU05M-TGPR-K-F4
-----	-----------------	-----	-----------------

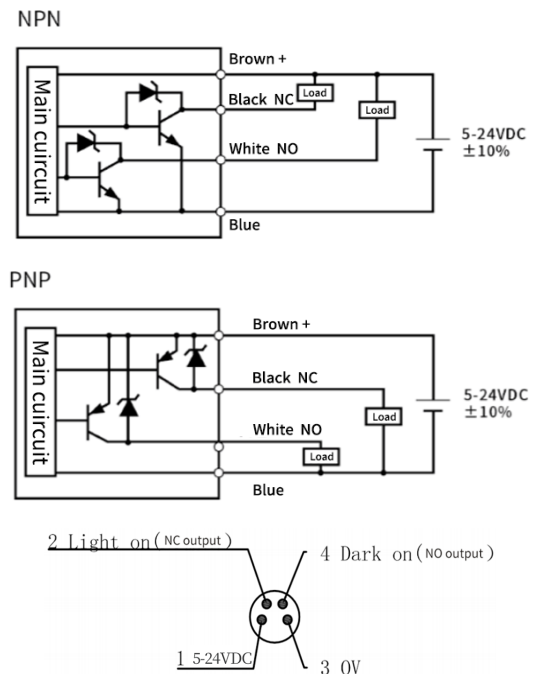
Specifications

Detection method	Through beam	Switching frequency	≥1KHZ (The maximum value is 3KHZ)
Rated distance Sn	5mm	Circuit protection	Short circuit protection (Power polarity protection)
Minimum target	> 1.2*0.8mm	Anti ambient light	Fluorescent lamp≤1,000lux
Light source	Infrared LED (940nm)	Output indication	Yellow: output indication
Hysteresis	< 0.06mm	Ambient temperature	-25°C...55°C(Optical surface no icing,nocondensation)
Output type	NPN/PNP (Depends on part number)	Environment humidity	5...85%RH(Optical surface no icing,nocondensation)
Output state	NO, NC The two logics are selected according to the connection mode	Vibration resistant	10...2000Hz, Dual amplitude1.5mm, 2hrs each for X,Y,Z direction
Supply voltage	5...24 VDC (Ripple p-p: < 10%)	Protection degree	IP65
Load current	≤50mA	Housing material	PBT
Residual voltage	≤1V (When the load current is 50mA)	Connection	0.2m cable+M8 4pins connector
Consumption current	≤15mA		

Dimensions



Wiring diagram



U shape photoelectric sensor PU05M series



Feature description

- The power supply voltage is wide as 5...24VDC
- A variety of shapes, rich product categories
- The product has two modes: L/ON and D/ON
- Use wires and terminals to connect, easy to maintain later



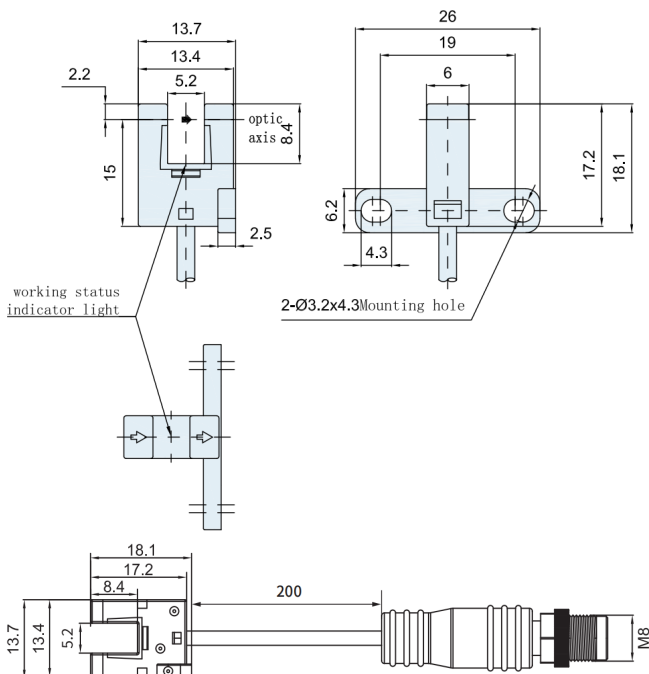
Model specification

NPN	PU05M-TGNR-T-F4	PNP	PU05M-TGPR-T-F4
-----	-----------------	-----	-----------------

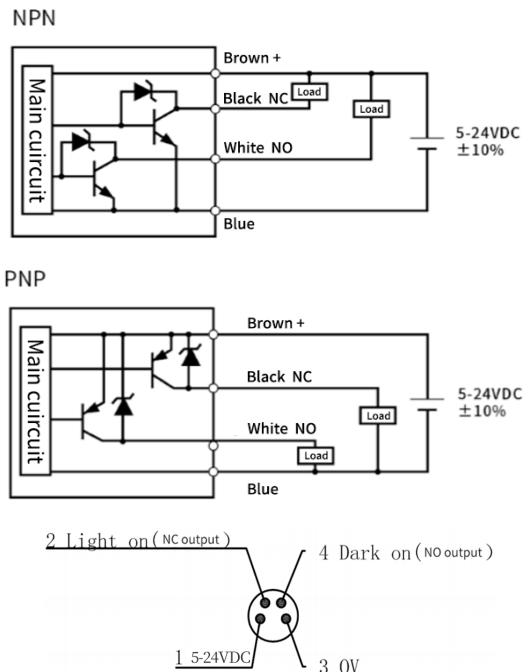
Specifications

Detection method	Through beam	Switching frequency	≥1KHZ (The maximum value is 3KHZ)
Rated distance Sn	5mm	Circuit protection	Short circuit protection (Power polarity protection)
Minimum target	> 1.2*0.8mm	Anti ambient light	Fluorescent lamp≤1,000lux
Light source	Infrared LED (940nm)	Output indication	Yellow: output indication
Hysteresis	< 0.06mm	Ambient temperature	-25°C...55°C(Optical surface no icing,nocondensation)
Output type	NPN/PNP (Depends on part number)	Environment humidity	5...85%RH (Optical surface no icing,nocondensation)
Output state	NO, NC The two logics are selected according to the connection mode	Vibration resistant	10...2000Hz, Dual amplitude1.5mm, 2hrs each for X,Y,Z direction
Supply voltage	5...24 VDC (Ripple p-p: < 10%)	Protection degree	IP65
Load current	≤50mA	Housing material	PBT
Residual voltage	≤1V (When the load current is 50mA)	Connection	0.2m cable+M8 4pins connector
Consumption current	≤15mA		

Dimensions



Wiring diagram



U shape photoelectric sensor PU05M series



Feature description

- The power supply voltage is wide as 5...24VDC
- A variety of shapes, rich product categories
- The product has two modes: L/ON and D/ON
- Use wires and terminals to connect, easy to maintain later



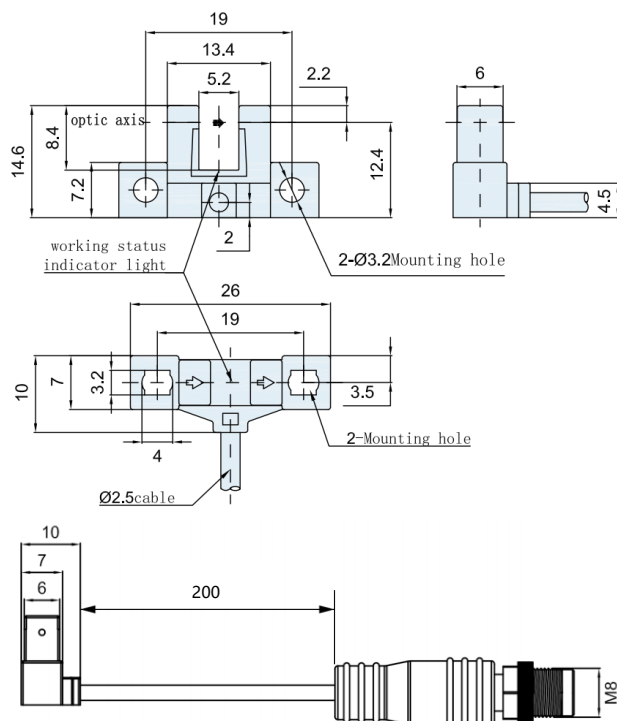
Model specification

NPN	PU05M-TGMR-L-F4	PNP	PU05M-TGPR-L-F4
-----	-----------------	-----	-----------------

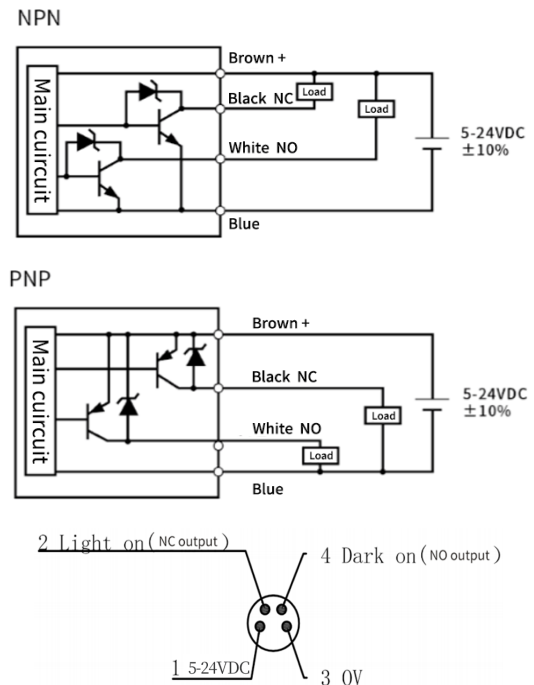
Specifications

Detection method	Through beam	Switching frequency	≥1KHZ (The maximum value is 3KHZ)
Rated distance Sn	5mm	Circuit protection	Short circuit protection (Power polarity protection)
Minimum target	> 1.2*0.8mm	Anti ambient light	Fluorescent lamp≤1,000lux
Light source	Infrared LED (940nm)	Output indication	Yellow: output indication
Hysteresis	< 0.06mm	Ambient temperature	-25°C...55°C(Optical surface no icing,nocondensation)
Output type	NPN/PNP (Depends on part number)	Environment humidity	5...85%RH (Optical surface no icing,nocondensation)
Output state	NO, NC The two logics are selected according to the connection mode	Vibration resistant	10...2000Hz, Dual amplitude1.5mm, 2hrs each for X,Y,Z direction
Supply voltage	5...24 VDC (Ripple p-p: < 10%)	Protection degree	IP65
Load current	≤50mA	Housing material	PBT
Residual voltage	≤1V (When the load current is 50mA)	Connection	0.2m cable+M8 4pins connector
Consumption current	≤15mA		

Dimensions



Wiring diagram



U shape photoelectric sensor PU05M series



Feature description

- The power supply voltage is wide as 5...24VDC
- A variety of shapes, rich product categories
- The product has two modes: L/ON and D/ON
- Use wires and terminals to connect, easy to maintain later



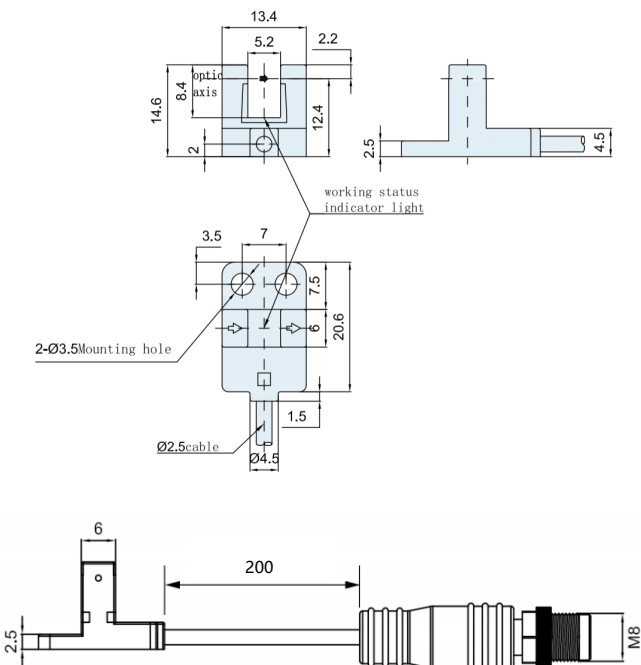
Model specification

NPN	PU05M-TGNR-Y-F4	PNP	PU05M-TGPR-Y-F4
-----	-----------------	-----	-----------------

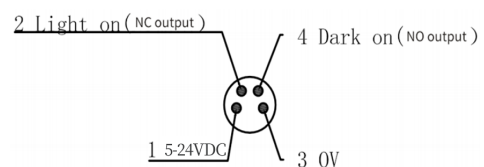
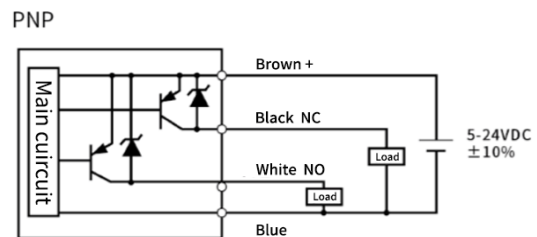
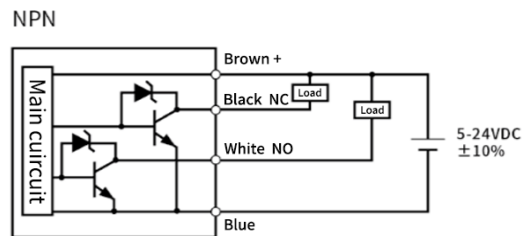
Specifications

Detection method	Through beam	Switching frequency	≥1KHZ (The maximum value is 3KHZ)
Rated distance Sn	5mm	Circuit protection	Short circuit protection (Power polarity protection)
Minimum target	> 1.2*0.8mm	Anti ambient light	Fluorescent lamp≤1,000lux
Light source	Infrared LED (940nm)	Output indication	Yellow: output indication
Hysteresis	< 0.06mm	Ambient temperature	-25°C...55°C(Optical surface no icing,nocondensation)
Output type	NPN/PNP (Depends on part number)	Environment humidity	5...85%RH(Optical surface no icing,nocondensation)
Output state	NO, NC The two logics are selected according to the connection mode	Vibration resistant	10...2000Hz, Dual amplitude1.5mm, 2hrs each for X,Y,Z direction
Supply voltage	5...24 VDC (Ripple p-p: < 10%)	Protection degree	IP65
Load current	≤50mA	Housing material	PBT
Residual voltage	≤1V (When the load current is 50mA)	Connection	0.2m cable+M8 4pins connector
Consumption current	≤15mA		

Dimensions



Wiring diagram



U shape photoelectric sensor PU05M series



Feature description

- The power supply voltage is wide as 5...24VDC
- A variety of shapes, rich product categories
- The product has two modes: L/ON and D/ON
- Use wires and terminals to connect, easy to maintain later



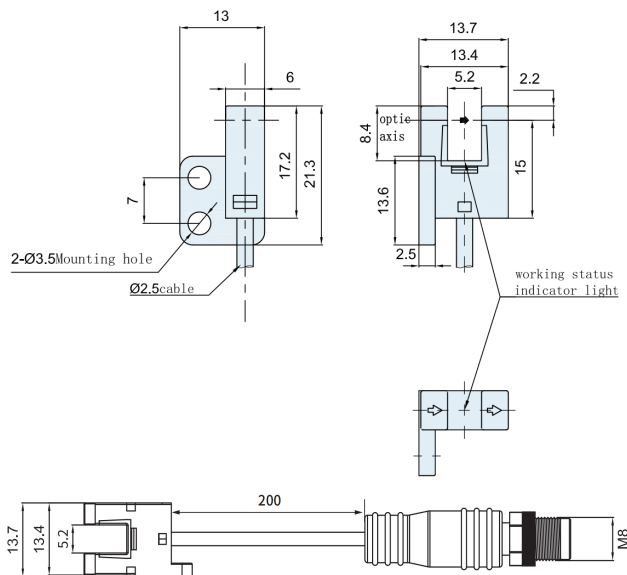
Model specification

NPN	PU05M-TGNR-F-F4	PNP	PU05M-TGPR-F-F4
-----	-----------------	-----	-----------------

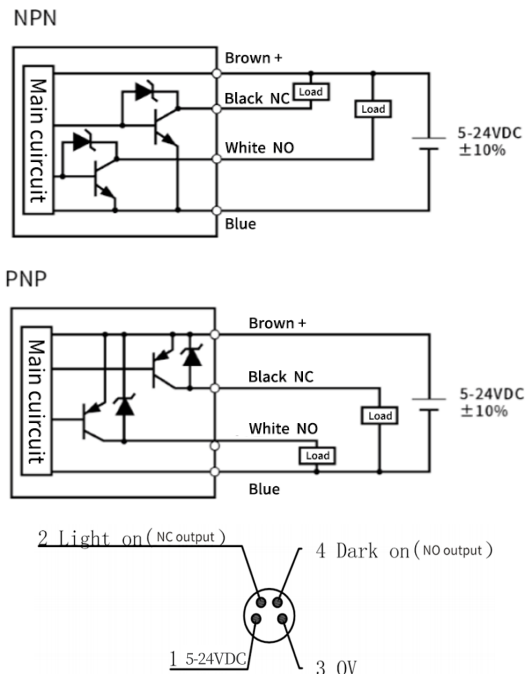
Specifications

Detection method	Through beam	Switching frequency	≥1KHZ (The maximum value is 3KHZ)
Rated distance Sn	5mm	Circuit protection	Short circuit protection (Power polarity protection)
Minimum target	> 1.2*0.8mm	Anti ambient light	Fluorescent lamp ≤1,000lux
Light source	Infrared LED (940nm)	Output indication	Yellow: output indication
Hysteresis	< 0.06mm	Ambient temperature	-25°C...55°C(Optical surface no icing,nocondensation)
Output type	NPN/PNP (Depends on part number)	Environment humidity	5...85%RH(Optical surface no icing,nocondensation)
Output state	NO, NC The two logics are selected according to the connection mode	Vibration resistant	10...2000Hz, Dual amplitude1.5mm, 2hrs each for X,Y,Z direction
Supply voltage	5...24 VDC (Ripple p-p: < 10%)	Protection degree	IP65
Load current	≤50mA	Housing material	PBT
Residual voltage	≤1V (When the load current is 50mA)	Connection	0.2m cable+M8 4pins connector
Consumption current	≤15mA		

Dimensions



Wiring diagram



U shape photoelectric sensor PU05M series



Feature description

- The power supply voltage is wide as 5...24VDC
- A variety of shapes, rich product categories
- The product has two modes: L/ON and D/ON
- Use wires and terminals to connect, easy to maintain later



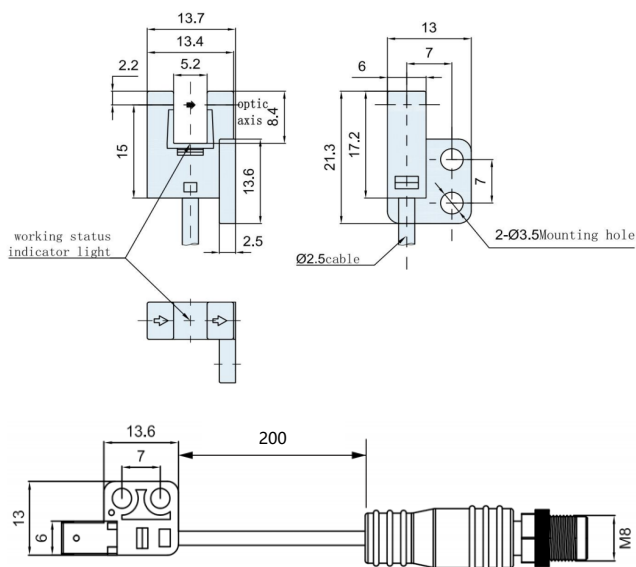
Model specification

NPN	PU05M-TGMR-R-F4	PNP	PU05M-TGPR-R-F4
-----	-----------------	-----	-----------------

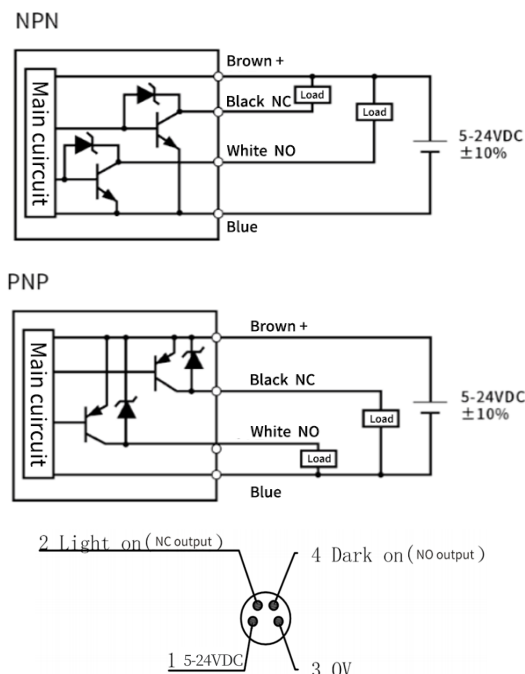
Specifications

Detection method	Through beam	Switching frequency	≥1KHZ (The maximum value is 3KHZ)
Rated distance Sn	5mm	Circuit protection	Short circuit protection (Power polarity protection)
Minimum target	> 1.2*0.8mm	Anti ambient light	Fluorescent lamp≤1,000lux
Light source	Infrared LED (940nm)	Output indication	Yellow: output indication
Hysteresis	< 0.06mm	Ambient temperature	-25°C...55°C(Optical surface no icing,nocondensation)
Output type	NPN/PNP (Depends on part number)	Environment humidity	5...85%RH(Optical surface no icing,nocondensation)
Output state	NO, NC The two logics are selected according to the connection mode	Vibration resistant	10...2000Hz, Dual amplitude1.5mm, 2hrs each for X,Y,Z direction
Supply voltage	5...24 VDC (Ripple p-p: < 10%)	Protection degree	IP65
Load current	≤50mA	Housing material	PBT
Residual voltage	≤1V (When the load current is 50mA)	Connection	0.2m cable+M8 4pins connector
Consumption current	≤15mA		

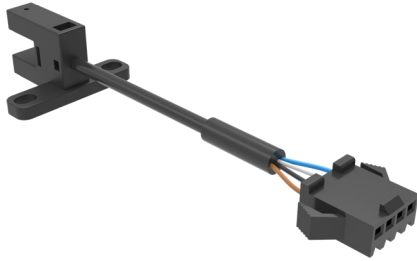
Dimensions



Wiring diagram



U shape photoelectric sensor PU05M series



Feature description

- The power supply voltage is 5...24VDC, and the voltage range is wide
- A variety of shapes, rich product categories
- The product has two modes: L/ON and D/ON
- Use wires and terminals to connect, easy to maintain later



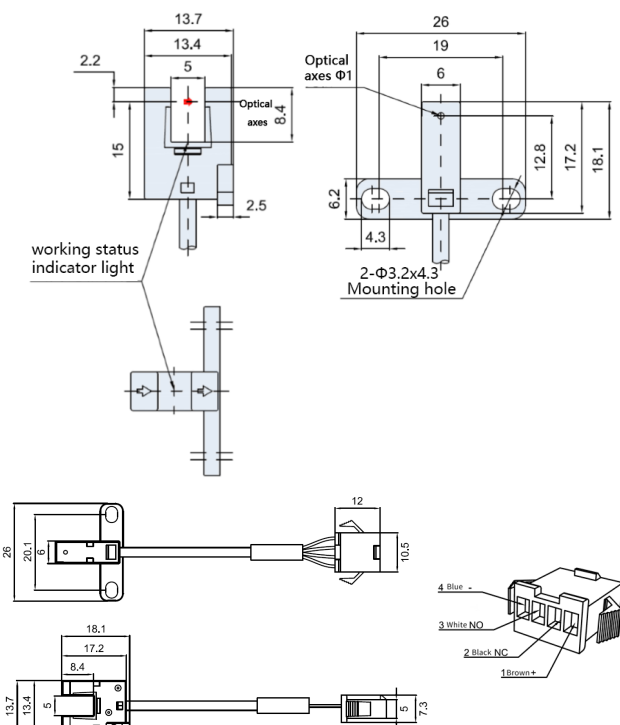
Model specification

NPN	PU05M-TGMR-T 1002	PNP	PU05M-TGPR-T 1002
-----	-------------------	-----	-------------------

Specifications

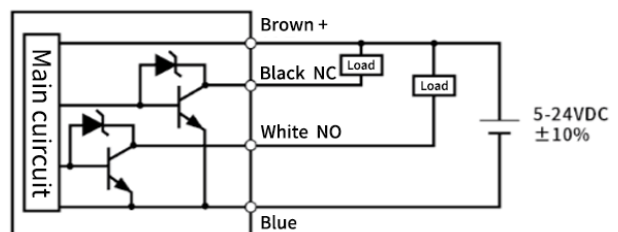
Detection method	Through beam	Switching frequency	≥1KHZ (The maximum value is 3KHZ)
Rated distance Sn	5mm	Circuit protection	Short circuit protection (Power polarity protection)
Minimum target	> 1.2*0.8mm	Anti ambient light	Fluorescent lamp≤1,000lux
Light source	Infrared LED (940nm)	Output indication	Yellow: output indication
Hysteresis	< 0.06mm	Ambient temperature	-25°C...55°C(Optical surface no icing,nocondensation)
Output type	NPN/PNP (Depends on part number)	Environment humidity	5...85%RH(Optical surface no icing,nocondensation)
Output state	NO, NC The two logics are selected according to the connection mode	Vibration resistant	10...2000Hz, Dual amplitude1.5mm, 2hrs each for X,Y,Z direction
Supply voltage	5...24 VDC (Ripple p-p: < 10%)	Protection degree	IP64
Load current	≤50mA	Housing material	PBT
Residual voltage	≤1V (When the load current is 50mA)	Connection	5cm cable+ 4pins terminal
Consumption current	≤15mA		

Dimensions

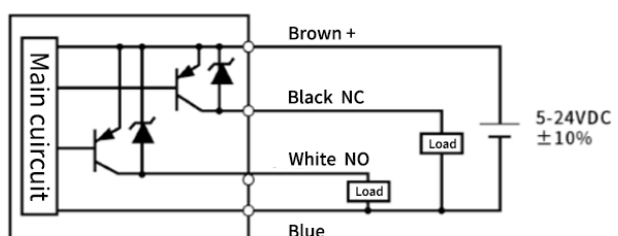


Wiring diagram

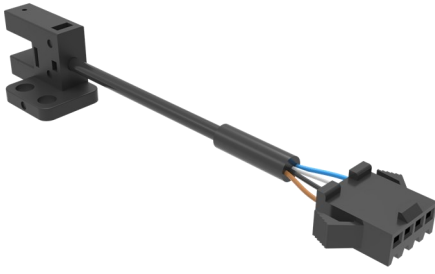
NPN



PNP



U shape photoelectric sensor PU05M series



Feature description

- The power supply voltage is 5...24VDC, and the voltage range is wide
- A variety of shapes, rich product categories
- The product has two modes: L/ON and D/ON
- Use wires and terminals to connect, easy to maintain later



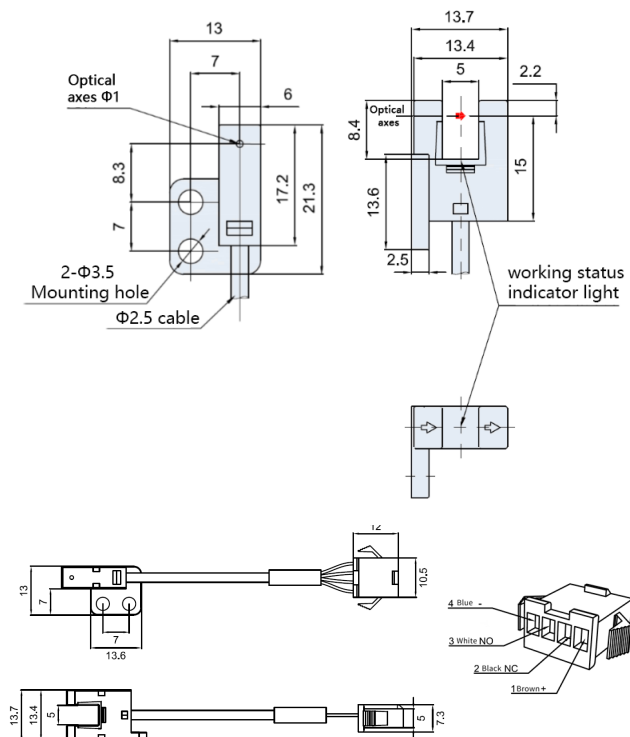
Model specification

NPN	PU05M-TGNR-F 1002	PNP	PU05M-TGPR-F 1002
-----	-------------------	-----	-------------------

Specifications

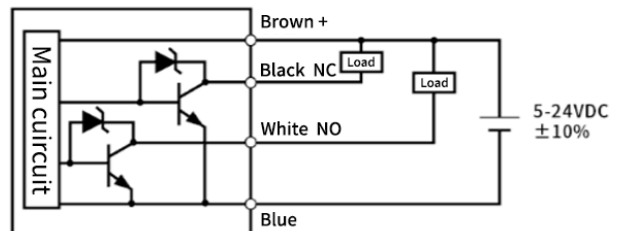
Detection method	Through beam	Switching frequency	≥1KHZ (The maximum value is 3KHZ)
Rated distance Sn	5mm	Circuit protection	Short circuit protection (Power polarity protection)
Minimum target	> 1.2*0.8mm	Anti ambient light	Fluorescent lamp≤1,000lux
Light source	Infrared LED (940nm)	Output indication	Yellow: output indication
Hysteresis	< 0.06mm	Ambient temperature	-25°C...55°C(Optical surface no icing,nocondensation)
Output type	NPN/PNP (Depends on part number)	Environment humidity	5...85%RH(Optical surface no icing,nocondensation)
Output state	NO, NC The two logics are selected according to the connection mode	Vibration resistant	10...2000Hz, Dual amplitude1.5mm, 2hrs each for X,Y,Z direction
Supply voltage	5...24 VDC (Ripple p-p: < 10%)	Protection degree	IP64
Load current	≤50mA	Housing material	PBT
Residual voltage	≤1V (When the load current is 50mA)	Connection	5cm cable+ 4pins terminal
Consumption current	≤15mA		

Dimensions

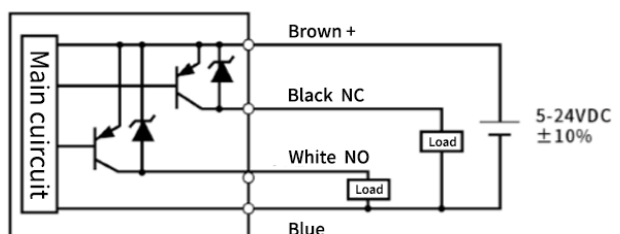


Wiring diagram

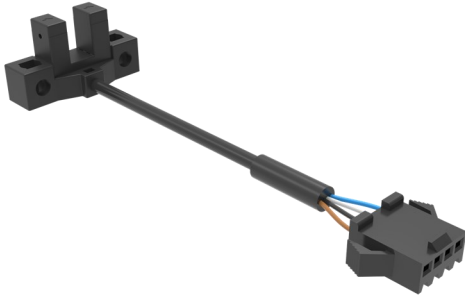
NPN



PNP



U shape photoelectric sensor PU05M series



Feature description

- The power supply voltage is 5...24VDC, and the voltage range is wide
- A variety of shapes, rich product categories
- The product has two modes: L/ON and D/ON
- Use wires and terminals to connect, easy to maintain later



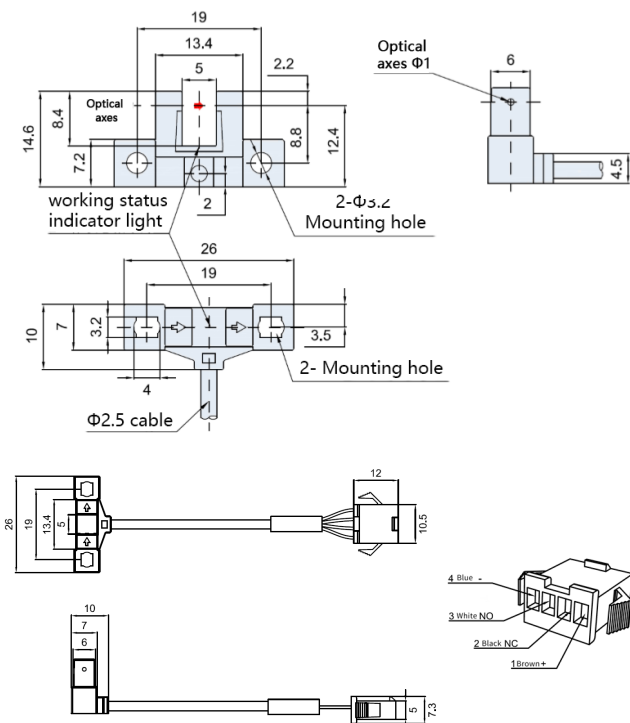
Model specification

NPN	PU05M-TGNR-L 1002	PNP	PU05M-TGPR-L 1002
-----	-------------------	-----	-------------------

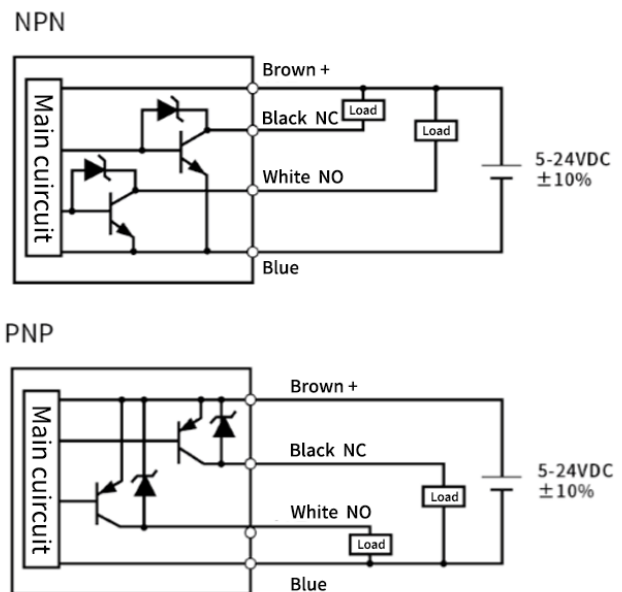
Specifications

Detection method	Through beam	Switching frequency	≥1KHZ (The maximum value is 3KHZ)
Rated distance Sn	5mm	Circuit protection	Short circuit protection (Power polarity protection)
Minimum target	> 1.2*0.8mm	Anti ambient light	Fluorescent lamp≤1,000lux
Light source	Infrared LED (940nm)	Output indication	Yellow: output indication
Hysteresis	< 0.06mm	Ambient temperature	-25°C...55°C(Optical surface no icing,nocondensation)
Output type	NPN/PNP (Depends on part number)	Environment humidity	5...85%RH(Optical surface no icing,nocondensation)
Output state	NO, NC The two logics are selected according to the connection mode	Vibration resistant	10...2000Hz, Dual amplitude1.5mm, 2hrs each for X,Y,Z direction
Supply voltage	5...24 VDC (Ripple p-p: < 10%)	Protection degree	IP64
Load current	≤50mA	Housing material	PBT
Residual voltage	≤1V (When the load current is 50mA)	Connection	5cm cable+ 4pins terminal
Consumption current	≤15mA		

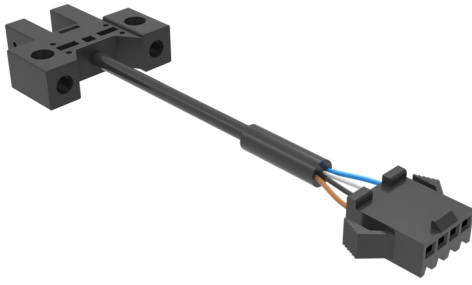
Dimensions



Wiring diagram



U shape photoelectric sensor PU05M series



Feature description

- The power supply voltage is 5...24VDC, and the voltage range is wide
- A variety of shapes, rich product categories
- The product has two modes: L/ON and D/ON
- Use wires and terminals to connect, easy to maintain later



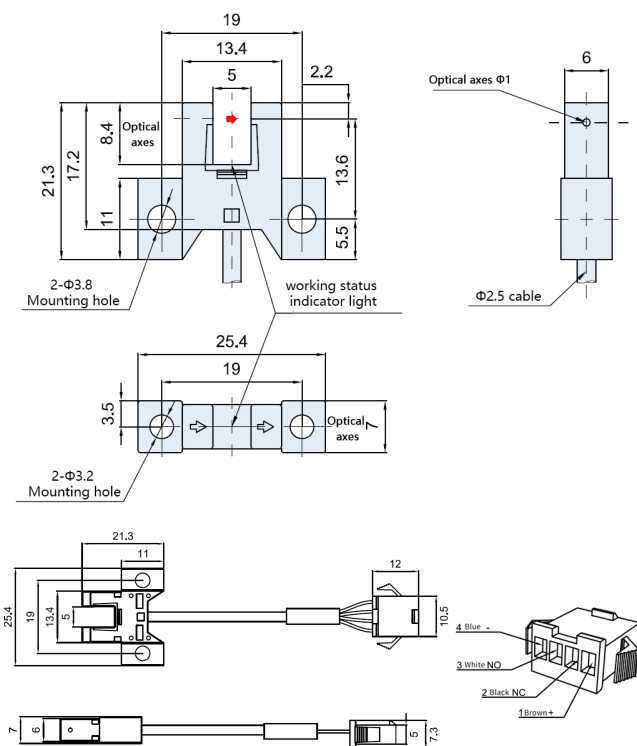
Model specification

NPN	PU05M-TGNR-K 1002	PNP	PU05M-TGPR-K 1002
-----	-------------------	-----	-------------------

Specifications

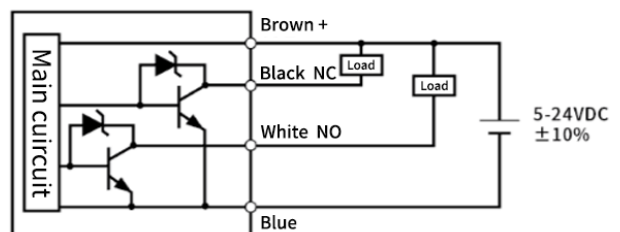
Detection method	Through beam	Switching frequency	≥1KHZ (The maximum value is 3KHZ)
Rated distance Sn	5mm	Circuit protection	Short circuit protection (Power polarity protection)
Minimum target	> 1.2*0.8mm	Anti ambient light	Fluorescent lamp≤1,000lux
Light source	Infrared LED (940nm)	Output indication	Yellow: output indication
Hysteresis	< 0.06mm	Ambient temperature	-25°C...55°C(Optical surface no icing,nocondensation)
Output type	NPN/PNP (Depends on part number)	Environment humidity	5...85%RH(Optical surface no icing,nocondensation)
Output state	NO, NC The two logics are selected according to the connection mode	Vibration resistant	10...2000Hz, Dual amplitude1.5mm, 2hrs each for X,Y,Z direction
Supply voltage	5...24 VDC (Ripple p-p: < 10%)	Protection degree	IP64
Load current	≤50mA	Housing material	PBT
Residual voltage	≤1V (When the load current is 50mA)	Connection	5cm cable+ 4pins terminal
Consumption current	≤15mA		

Dimensions

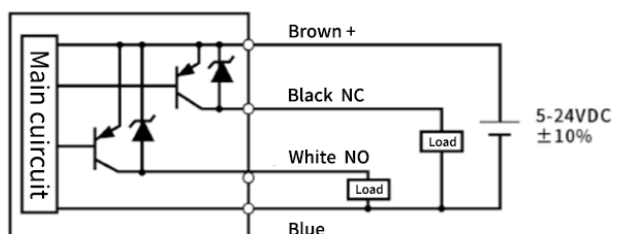


Wiring diagram

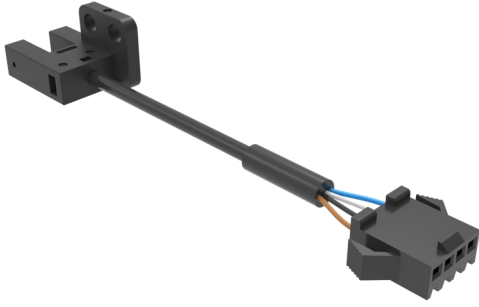
NPN



PNP



U shape photoelectric sensor PU05M series



Feature description

- The power supply voltage is 5...24VDC, and the voltage range is wide
- A variety of shapes, rich product categories
- The product has two modes: L/ON and D/ON
- Use wires and terminals to connect, easy to maintain later



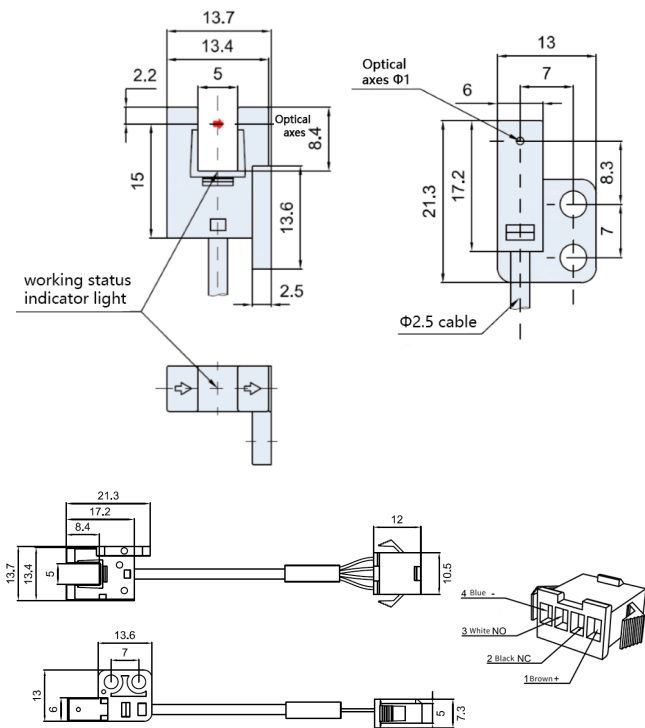
Model specification

NPN	PU05M-TGMR-R 1002	PNP	PU05M-TGPR-R 1002
-----	-------------------	-----	-------------------

Specifications

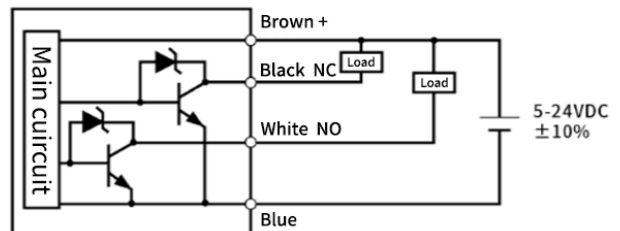
Detection method	Through beam	Switching frequency	≥1KHZ (The maximum value is 3KHZ)
Rated distance Sn	5mm	Circuit protection	Short circuit protection (Power polarity protection)
Minimum target	> 1.2*0.8mm	Anti ambient light	Fluorescent lamp ≤1,000lux
Light source	Infrared LED (940nm)	Output indication	Yellow: output indication
Hysteresis	< 0.06mm	Ambient temperature	-25°C...55°C (Optical surface no icing, no condensation)
Output type	NPN/PNP (Depends on part number)	Environment humidity	5...85%RH (Optical surface no icing, no condensation)
Output state	NO, NC The two logics are selected according to the connection mode	Vibration resistant	10...2000Hz, Dual amplitude 1.5mm, 2hrs each for X,Y,Z direction
Supply voltage	5...24 VDC (Ripple p-p: < 10%)	Protection degree	IP64
Load current	≤50mA	Housing material	PBT
Residual voltage	≤1V (When the load current is 50mA)	Connection	5cm cable+ 4pins terminal
Consumption current	≤15mA		

Dimensions

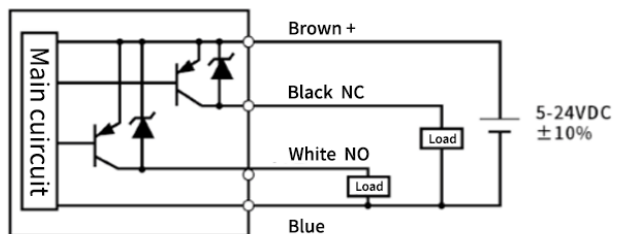


Wiring diagram

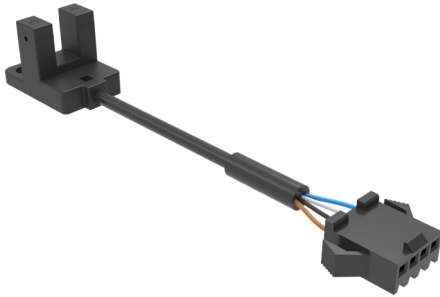
NPN



PNP



U shape photoelectric sensor **PU05M** series



Feature description

- The power supply voltage is 5...24VDC, and the voltage range is wide
- A variety of shapes, rich product categories
- The product has two modes: L/ON and D/ON
- Use wires and terminals to connect, easy to maintain later



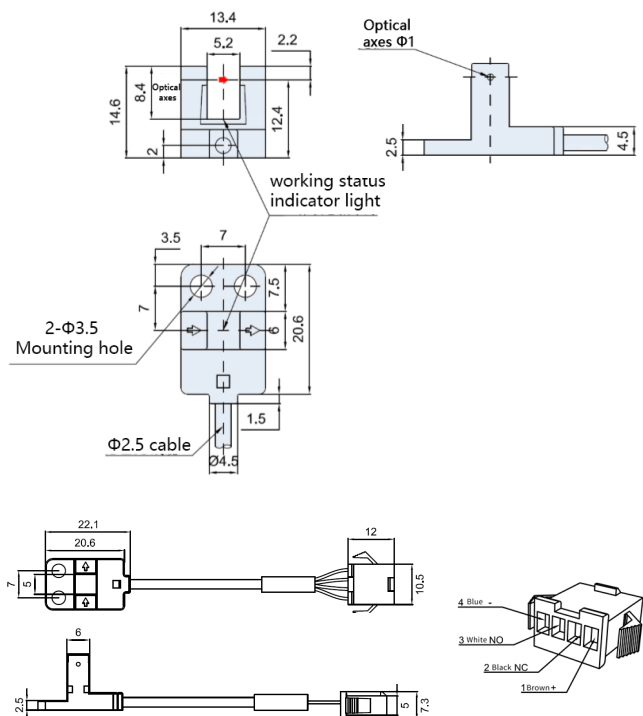
Model specification

NPN	PU05M-TGMR-Y 1002	PNP	PU05M-TGPR-Y 1002
-----	-------------------	-----	-------------------

Specifications

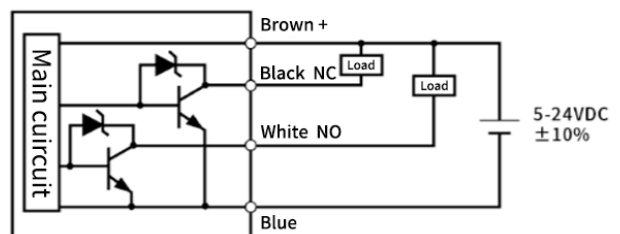
Detection method	Through beam	Switching frequency	≥1KHZ (The maximum value is 3KHZ)
Rated distance Sn	5mm	Circuit protection	Short circuit protection (Power polarity protection)
Minimum target	> 1.2*0.8mm	Anti ambient light	Fluorescent lamp≤1,000lux
Light source	Infrared LED (940nm)	Output indication	Yellow: output indication
Hysteresis	< 0.06mm	Ambient temperature	-25°C...55°C(Optical surface no icing,nocondensation)
Output type	NPN/PNP (Depends on part number)	Environment humidity	5...85%RH(Optical surface no icing,nocondensation)
Output state	NO, NC The two logics are selected according to the connection mode	Vibration resistant	10...2000Hz, Dual amplitude1.5mm, 2hrs each for X,Y,Z direction
Supply voltage	5...24 VDC (Ripple p-p: < 10%)	Protection degree	IP64
Load current	≤50mA	Housing material	PBT
Residual voltage	≤1V (When the load current is 50mA)	Connection	5cm cable+ 4pins terminal
Consumption current	≤15mA		

Dimensions

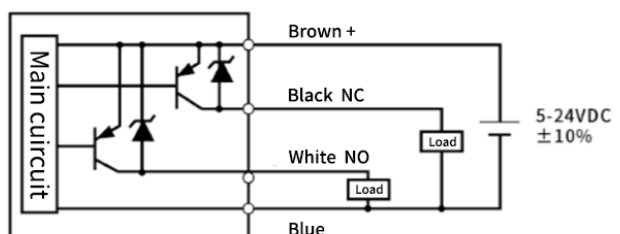


Wiring diagram

NPN



PNP



По вопросам продаж и поддержки обращайтесь:

Алматы (727)345-47-04
Ангарск (3955)60-70-56
Архангельск (8182)63-90-72
Астрахань (8512)99-46-04
Барнаул (3852)73-04-60
Белгород (4722)40-23-64
Благовещенск (4162)22-76-07
Брянск (4832)59-03-52
Владивосток (423)249-28-31
Владикавказ (8672)28-90-48
Владимир (4922)49-43-18
Волгоград (844)278-03-48
Вологда (8172)26-41-59
Воронеж (473)204-51-73
Екатеринбург (343)384-55-89

Иваново (4932)77-34-06
Ижевск (3412)26-03-58
Иркутск (395)279-98-46
Казань (843)206-01-48
Калининград (4012)72-03-81
Калуга (4842)92-23-67
Кемерово (3842)65-04-62
Киров (8332)68-02-04
Коломна (4966)23-41-49
Кострома (4942)77-07-48
Краснодар (861)203-40-90
Красноярск (391)204-63-61
Курск (4712)77-13-04
Курган (3522)50-90-47
Липецк (4742)52-20-81

Магнитогорск (3519)55-03-13
Москва (495)268-04-70
Мурманск (8152)59-64-93
Набережные Челны (8552)20-53-41
Новокузнецк (3843)20-46-81
Ноябрьск (3496)41-32-12
Новосибирск (383)227-86-73
Омск (3812)21-46-40
Орел (4862)44-53-42
Оренбург (3532)37-68-04
Пенза (8412)22-31-16
Петрозаводск (8142)55-98-37
Псков (8112)59-10-37
Пермь (342)205-81-47

Ростов-на-Дону (863)308-18-15
Рязань (4912)46-61-64
Самара (846)206-03-16
Санкт-Петербург (812)309-46-40
Саратов (845)249-38-78
Севастополь (8692)22-31-93
Саранск (8342)22-96-24
Симферополь (3652)67-13-56
Смоленск (4812)29-41-54
Сочи (862)225-72-31
Ставрополь (8652)20-65-13
Сургут (3462)77-98-35
Сыктывкар (8212)25-95-17
Тамбов (4752)50-40-97
Тверь (4822)63-31-35

Тольятти (8482)63-91-07
Томск (3822)98-41-53
Тула (4872)33-79-87
Тюмень (3452)66-21-18
Ульяновск (8422)24-23-59
Улан-Удэ (3012)59-97-51
Уфа (347)229-48-12
Хабаровск (4212)92-98-04
Чебоксары (8352)28-53-07
Челябинск (351)202-03-61
Череповец (8202)49-02-64
Чита (3022)38-34-83
Якутск (4112)23-90-97
Ярославль (4852)69-52-93

Россия +7(495)268-04-70

Казахстан +(727)345-47-04

Беларусь +(375)257-127-884

Узбекистан +998(71)205-18-59

Киргизия +996(312)96-26-47

эл.почта: ahj@nt-rt.ru || сайт: <https://lanbao.nt-rt.ru/>