

Магнитные датчики FY18, FY12

Технические характеристики

По вопросам продаж и поддержки обращайтесь:

Алматы (727)345-47-04
Ангарск (3955)60-70-56
Архангельск (8182)63-90-72
Астрахань (8512)99-46-04
Барнаул (3852)73-04-60
Белгород (4722)40-23-64
Благовещенск (4162)22-76-07
Брянск (4832)59-03-52
Владивосток (423)249-28-31
Владикавказ (8672)28-90-48
Владимир (4922)49-43-18
Волгоград (844)278-03-48
Вологда (8172)26-41-59
Воронеж (473)204-51-73
Екатеринбург (343)384-55-89

Иваново (4932)77-34-06
Ижевск (3412)26-03-58
Иркутск (395)279-98-46
Казань (843)206-01-48
Калининград (4012)72-03-81
Калуга (4842)92-23-67
Кемерово (3842)65-04-62
Киров (8332)68-02-04
Коломна (4966)23-41-49
Кострома (4942)77-07-48
Краснодар (861)203-40-90
Красноярск (391)204-63-61
Курск (4712)77-13-04
Курган (3522)50-90-47
Липецк (4742)52-20-81

Магнитогорск (3519)55-03-13
Москва (495)268-04-70
Мурманск (8152)59-64-93
Набережные Челны (8552)20-53-41
Нижний Новгород (831)429-08-12
Новокузнецк (3843)20-46-81
Ноябрьск (3496)41-32-12
Новосибирск (383)227-86-73
Омск (3812)21-46-40
Орел (4862)44-53-42
Оренбург (3532)37-68-04
Пенза (8412)22-31-16
Петрозаводск (8142)55-98-37
Псков (8112)59-10-37
Пермь (342)205-81-47

Ростов-на-Дону (863)308-18-15
Рязань (4912)46-61-64
Самара (846)206-03-16
Санкт-Петербург (812)309-46-40
Саратов (845)249-38-78
Севастополь (8692)22-31-93
Саранск (8342)22-96-24
Симферополь (3652)67-13-56
Смоленск (4812)29-41-54
Сочи (862)225-72-31
Ставрополь (8652)20-65-13
Сургут (3462)77-98-35
Сыктывкар (8212)25-95-17
Тамбов (4752)50-40-97
Тверь (4822)63-31-35

Тольятти (8482)63-91-07
Томск (3822)98-41-53
Тула (4872)33-79-87
Тюмень (3452)66-21-18
Ульяновск (8422)24-23-59
Улан-Удэ (3012)59-97-51
Уфа (347)229-48-12
Хабаровск (4212)92-98-04
Чебоксары (8352)28-53-07
Челябинск (351)202-03-61
Череповец (8202)49-02-64
Чита (3022)38-34-83
Якутск (4112)23-90-97
Ярославль (4852)69-52-93

Россия +7(495)268-04-70

Казахстан +(727)345-47-04

Беларусь +(375)257-127-884

Узбекистан +998(71)205-18-59

Киргизия +996(312)96-26-47

эл.почта: ahj@nt-rt.ru || сайт: <https://lanbao.nt-rt.ru/>

Gear speed testing sensor FY18 series



Feature description

- Protection degree IP67 (IEC)
- Frequency up to 25KHz
- Long life and high reliability
- Yellow LED display can check the status of the sensor
- Economical and simple operation

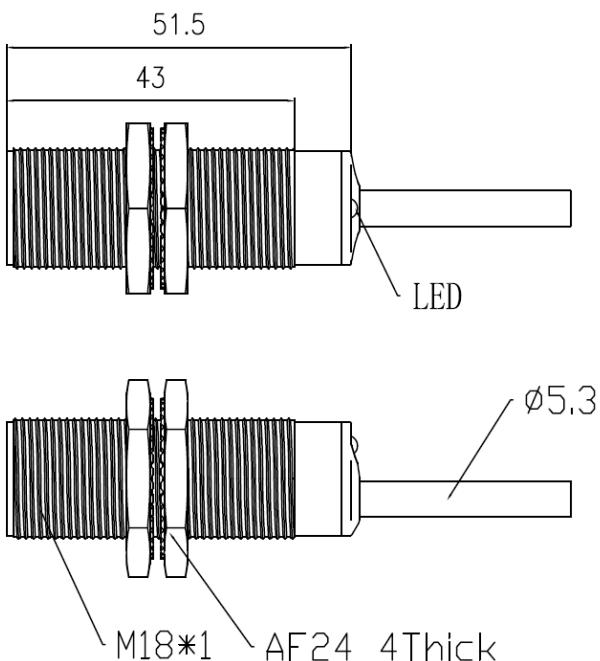
Model specification

NPN NO	FY18DNO	PNP NO	FY18DPO
NPN NC	FY18DNC	PNP NC	FY18DPC

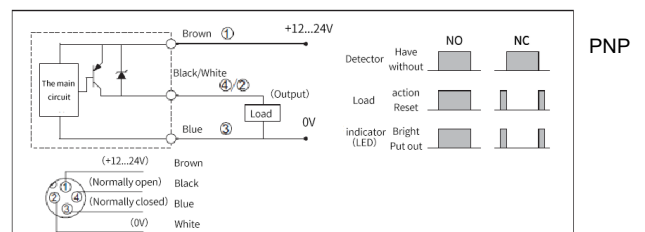
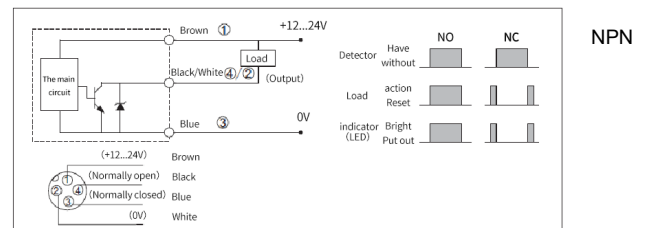
Specifications

Detection distance	2mm	Consumption current	≤15mA
Installation type	Flush	Ambient temperature	-25...70°C
Supply voltage	10...30 VDC	Environment humidity	35...95RH%
Switch point offset	≤±10%	Switching frequency	25KHz
Hysteresis range	1...15%	withstand voltage	1000/AC 50/60Hz 60s
Repetitive error	≤3%	Insulation resistance	≥50MΩ (500VDC)
Load current	≤200mA	Vibration resistant	Complex amplitude 1.5mm 10...50Hz (2 hours each in X, Y, and Z directions)
Residual voltage	≤2.5VDC		
Circuit protection	surge protection, Short circuit protection, overload protection, reverse polarity protection	Protection degree	IP67
		Dimension	M18*1*50
		Housing material	Nickel copper alloy
Indicator	Yellow LED	Connection type	2m PVC cable

Dimension



Wiring diagram



Gear speed testing sensor FY18 series



Model specification

- Protection degree IP67 (IEC)
- Frequency up to 25KHz
- Long life and high reliability
- Yellow LED display can check the status of the sensor
- Economical and simple operation

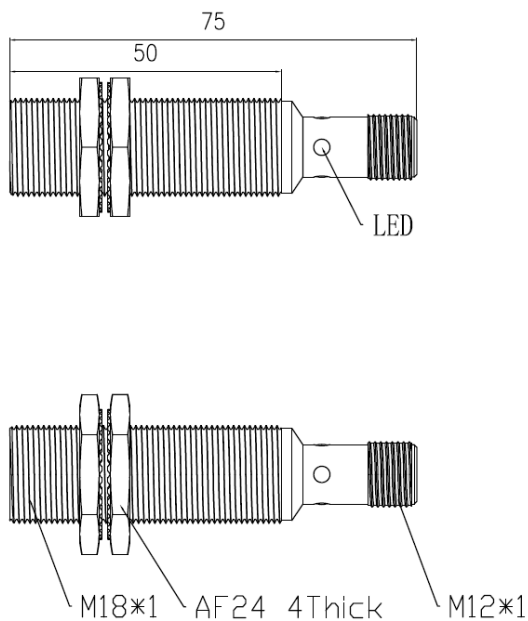
Model specification

NPN NO	FY18DNO-E2	PNP NO	FY18DPO-E2
NPN NC	FY18DNC-E2	PNP NC	FY18DPC-E2

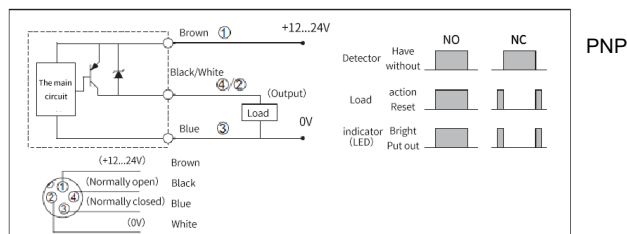
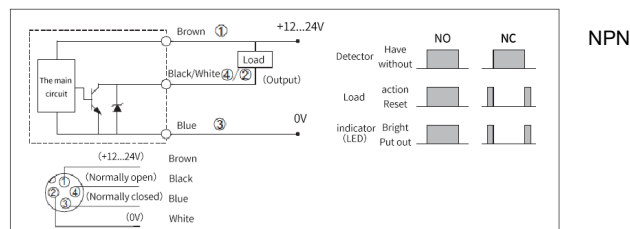
Specifications

Detection distance	2mm	Consumption current	≤10mA
Installation type	Flush	Ambient temperature	-25...70°C
Supply voltage	10...30 VDC	Environment humidity	35...95RH%
Switch point offset	±10%	Switching frequency	25KHz
Hysteresis range	1...15%	withstand voltage	1000/AC 50/60Hz 60s
Repetitive error	≤3%	Insulation resistance	≥50MΩ (500VDC)
Load current	≤200mA	Vibration resistant	Complex amplitude 1.5mm 10...50Hz
Residual voltage	≤2.5VDC		(2 hours each in X, Y, and Z directions)
Circuit protection	surge protection, Short circuit protection, overload protection,	Protection degree	IP67
	reverse polarity protection	Dimension	M18*1*50
Indicator	Yellow LED	Housing material	Nickel copper alloy
		Connection type	M12 Connector

Dimension



Wiring diagram



Gear speed testing sensor FY12 series



Feature description

- Protection degree IP67 (IEC)
- Frequency up to 25KHz
- Long life and high reliability
- Yellow LED display can check the status of the sensor
- Economical and simple operation

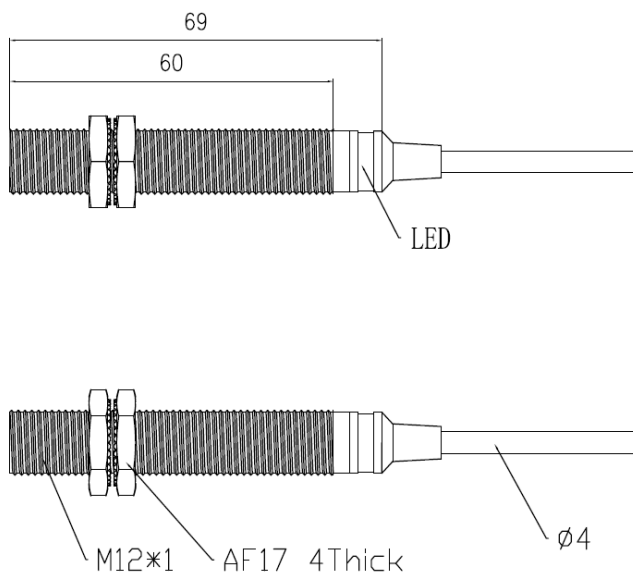
Model specification

NPN NO	FY12DNO	PNP NO	FY12DPO
NPN NC	FY12DNC	PNP NC	FY12DPC

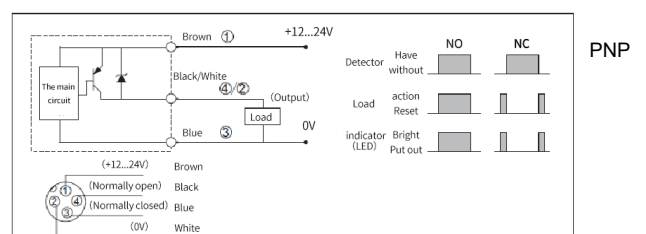
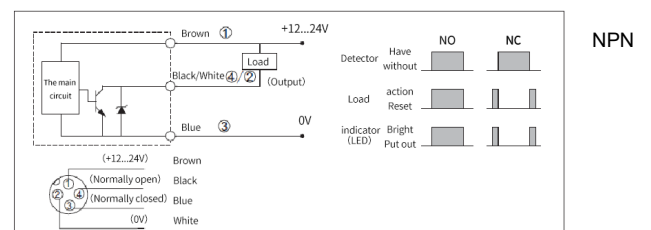
Specifications

Detection distance	2mm	Consumption current	≤15mA
Installation type	Flush	Ambient temperature	-25...70°C
Supply voltage	10...30 VDC	Environment humidity	35...95RH%
Switch point offset	≤±10%	Switching frequency	25KHz
Hysteresis range	1...15%	withstand voltage	1000/AC 50/60Hz 60s
Repetitive error	≤3%	Insulation resistance	≥50MΩ (500VDC)
Load current	≤200mA	Vibration resistant	Complex amplitude 1.5mm 10...50Hz (2 hours each in X, Y, and Z directions)
Residual voltage	≤2.5VDC	Protection degree	IP67
Circuit protection	surge protection, Short circuit protection, overload protection, reverse polarity protection	Dimension	M12*1*50
Indicator	Yellow LED	Housing material	Nickel copper alloy
		Connection type	2m PVC cable

Dimension



Wiring diagram



Gear speed testing sensor FY12 series



Feature description

- Protection degree IP67 (IEC)
- Frequency up to 25KHz
- Long life and high reliability
- Yellow LED display can check the status of the sensor
- Economical and simple operation

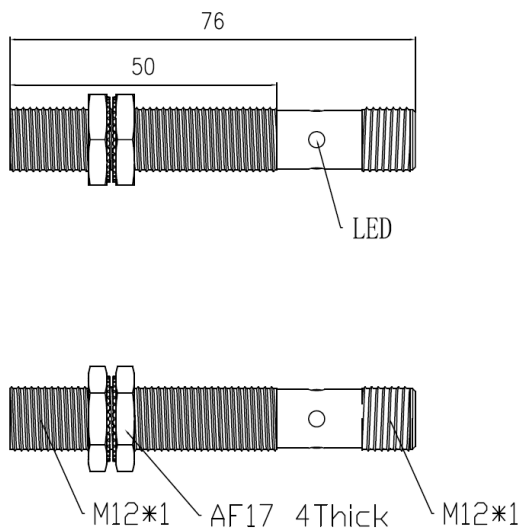
Model specification

NPN NO	FY12DNO-E2	PNP NO	FY12DPO-E2
NPN NC	FY12DNC-E2	PNP NC	FY12DPC-E2

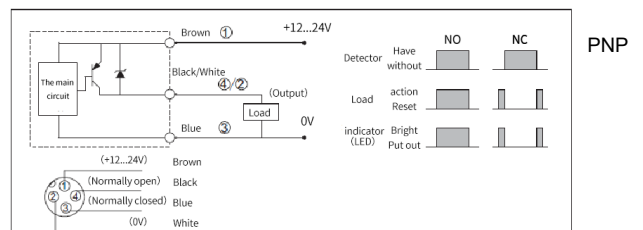
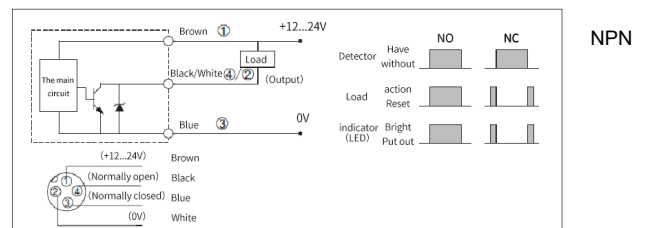
Specifications

Detection distance	2mm	Consumption current	≤15mA
Installation type	Flush	Ambient temperature	-25...70°C
Supply voltage	10...30 VDC	Environment humidity	35...95RH%
Switch point offset	≤±10%	Switching frequency	25KHz
Hysteresis range	1...15%	withstand voltage	1000V/AC 50/60Hz 60s
Repetitive error	≤3%	Insulation resistance	≥50MΩ (500VDC)
Load current	≤200mA	Vibration resistant	Complex amplitude 1.5mm 10...50Hz
Residual voltage	≤2.5VDC		(2 hours each in X, Y, and Z directions)
Circuit protection	surge protection, Short circuit protection, overload protection,	Protection degree	IP67
	reverse polarity protection	Dimension	M12*1*50
Indicator	Yellow LED	Housing material	Nickel copper alloy
		Connection type	M12 Connector

Dimension



Wiring diagram



По вопросам продаж и поддержки обращайтесь:

Алматы (727)345-47-04
Ангарск (3955)60-70-56
Архангельск (8182)63-90-72
Астрахань (8512)99-46-04
Барнаул (3852)73-04-60
Белгород (4722)40-23-64
Благовещенск (4162)22-76-07
Брянск (4832)59-03-52
Владивосток (423)249-28-31
Владикавказ (8672)28-90-48
Владимир (4922)49-43-18
Волгоград (844)278-03-48
Вологда (8172)26-41-59
Воронеж (473)204-51-73
Екатеринбург (343)384-55-89

Иваново (4932)77-34-06
Ижевск (3412)26-03-58
Иркутск (395)279-98-46
Казань (843)206-01-48
Калининград (4012)72-03-81
Калуга (4842)92-23-67
Кемерово (3842)65-04-62
Киров (8332)68-02-04
Коломна (4966)23-41-49
Кострома (4942)77-07-48
Краснодар (861)203-40-90
Красноярск (391)204-63-61
Курск (4712)77-13-04
Курган (3522)50-90-47
Липецк (4742)52-20-81

Магнитогорск (3519)55-03-13
Москва (495)268-04-70
Мурманск (8152)59-64-93
Набережные Челны (8552)20-53-41
Новокузнецк (3843)20-46-81
Ноябрьск (3496)41-32-12
Новосибирск (383)227-86-73
Омск (3812)21-46-40
Орел (4862)44-53-42
Оренбург (3532)37-68-04
Пенза (8412)22-31-16
Петрозаводск (8142)55-98-37
Псков (8112)59-10-37
Пермь (342)205-81-47

Ростов-на-Дону (863)308-18-15
Рязань (4912)46-61-64
Самара (846)206-03-16
Санкт-Петербург (812)309-46-40
Саратов (845)249-38-78
Севастополь (8692)22-31-93
Саранск (8342)22-96-24
Симферополь (3652)67-13-56
Смоленск (4812)29-41-54
Сочи (862)225-72-31
Ставрополь (8652)20-65-13
Сургут (3462)77-98-35
Сыктывкар (8212)25-95-17
Тамбов (4752)50-40-97
Тверь (4822)63-31-35

Тольятти (8482)63-91-07
Томск (3822)98-41-53
Тула (4872)33-79-87
Тюмень (3452)66-21-18
Ульяновск (8422)24-23-59
Улан-Удэ (3012)59-97-51
Уфа (347)229-48-12
Хабаровск (4212)92-98-04
Чебоксары (8352)28-53-07
Челябинск (351)202-03-61
Череповец (8202)49-02-64
Чита (3022)38-34-83
Якутск (4112)23-90-97
Ярославль (4852)69-52-93

Россия +7(495)268-04-70

Казахстан +(727)345-47-04

Беларусь +(375)257-127-884

Узбекистан +998(71)205-18-59

Киргизия +996(312)96-26-47

эл.почта: ahj@nt-rt.ru || сайт: <https://lanbao.nt-rt.ru/>